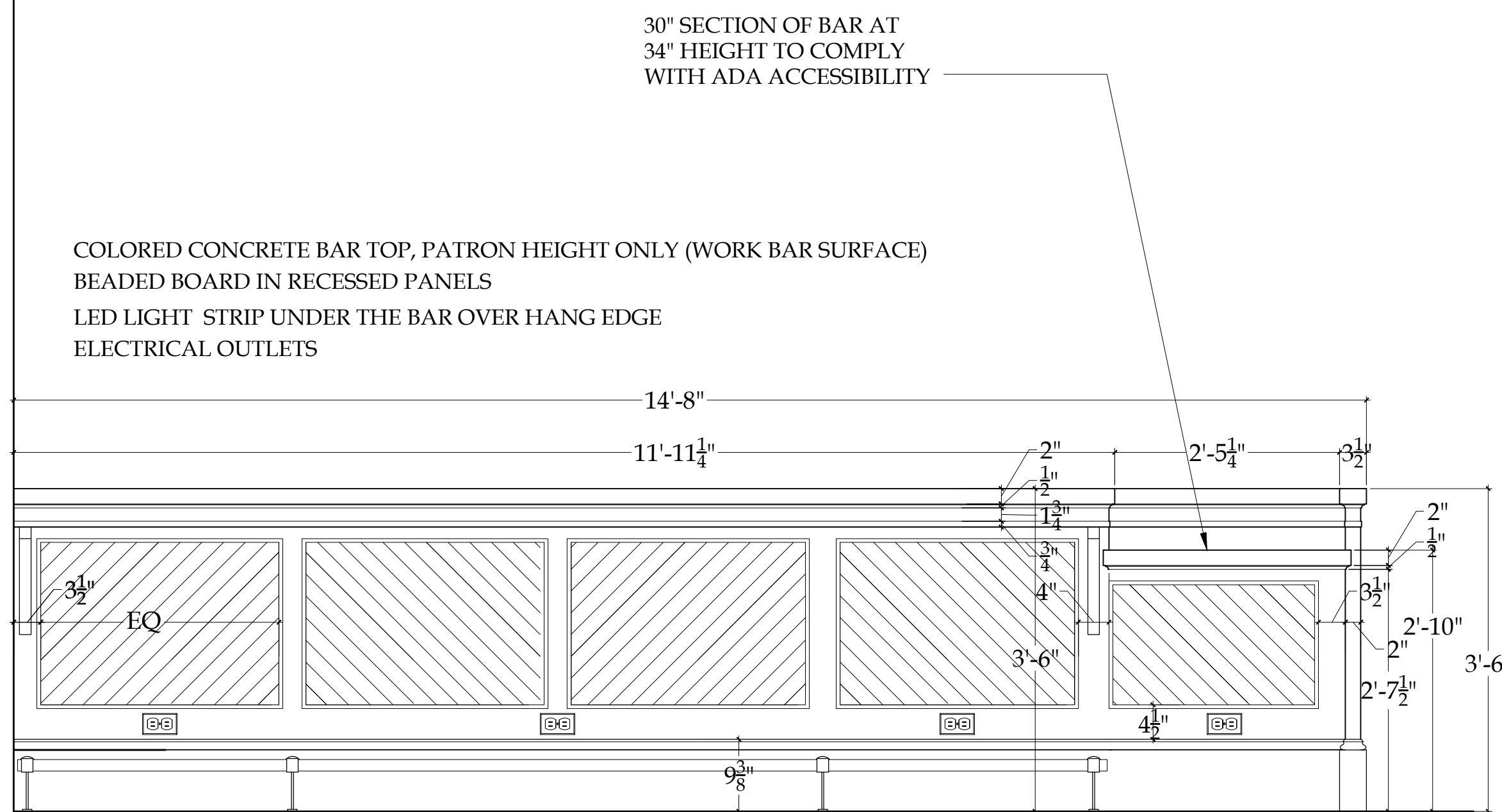
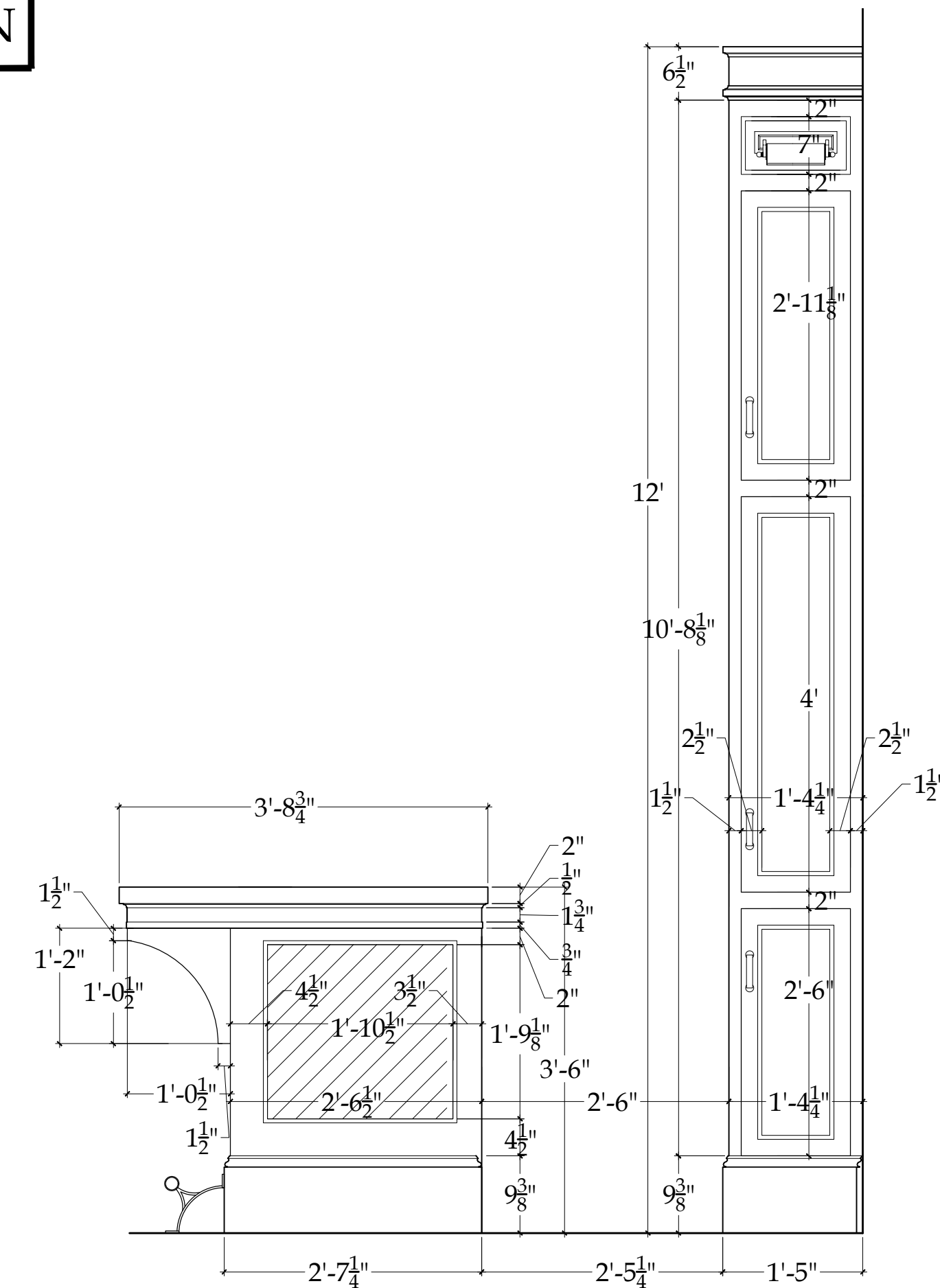


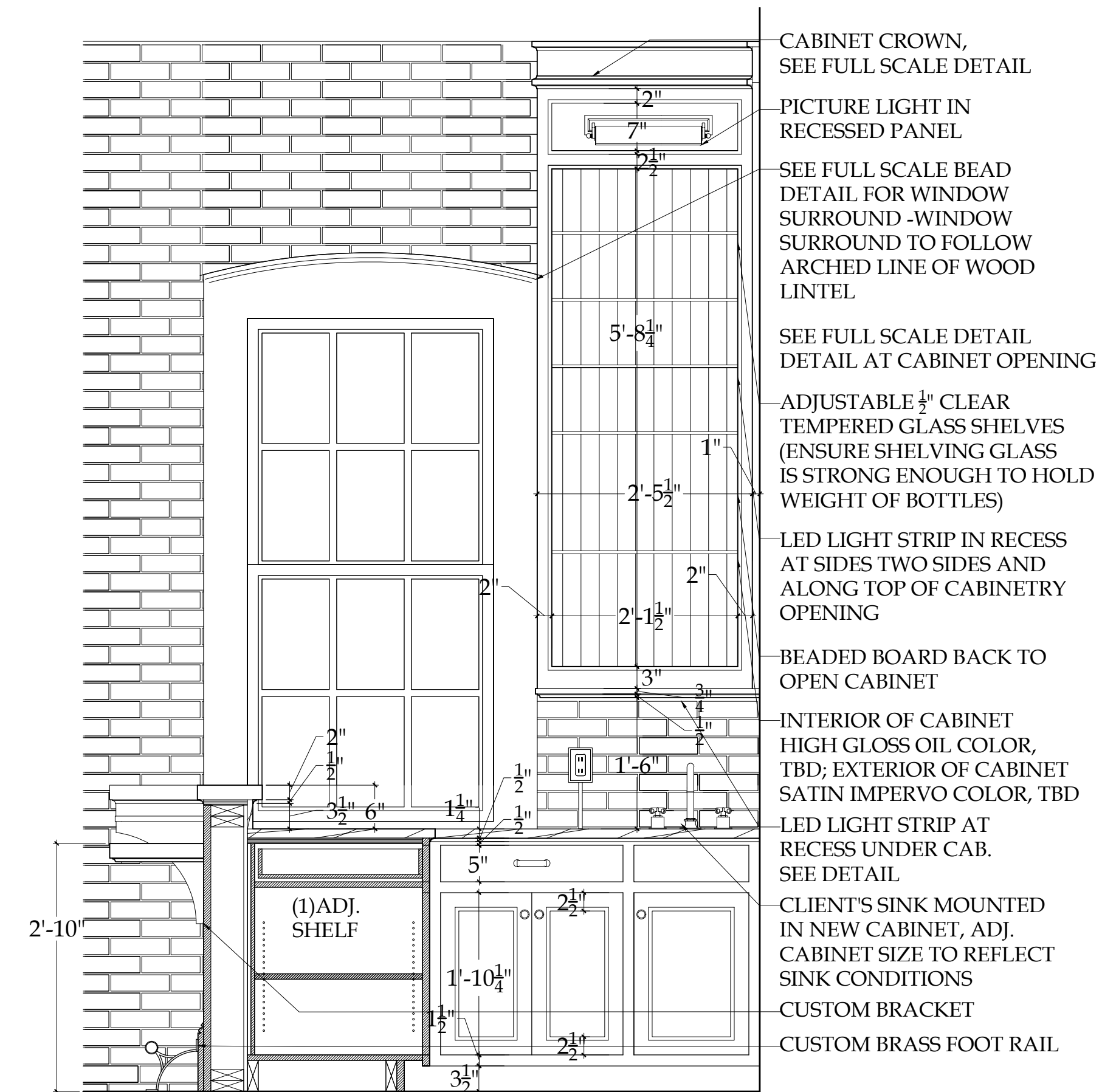
ALL DIMENSIONS MUST BE VERIFIED IN THE FIELD PRIOR TO CONSTRUCTION



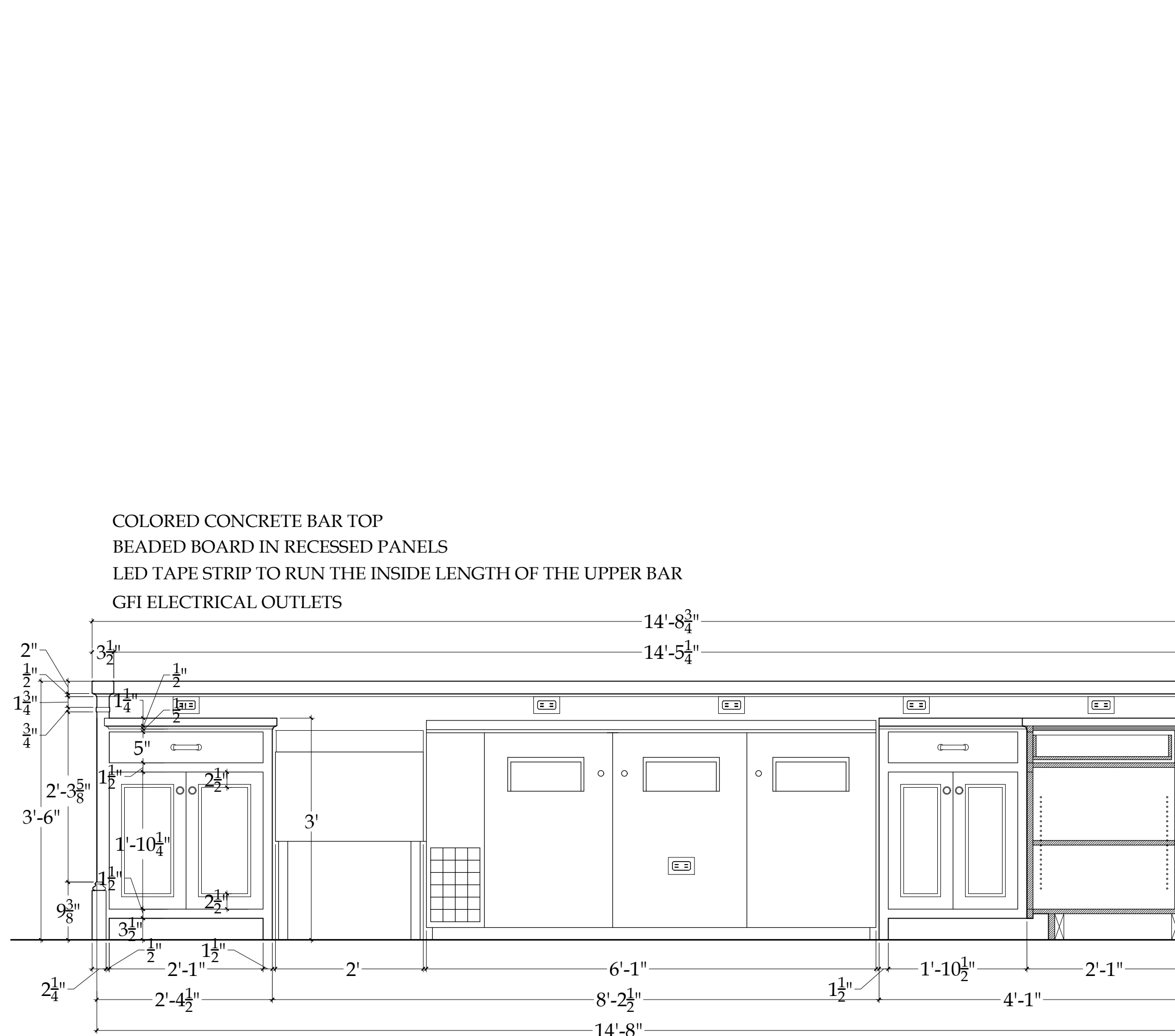
1 MAIN DINING ROOM: NORTH ELEVATION @ BAR  
Scale: 3/4"=1'-0"



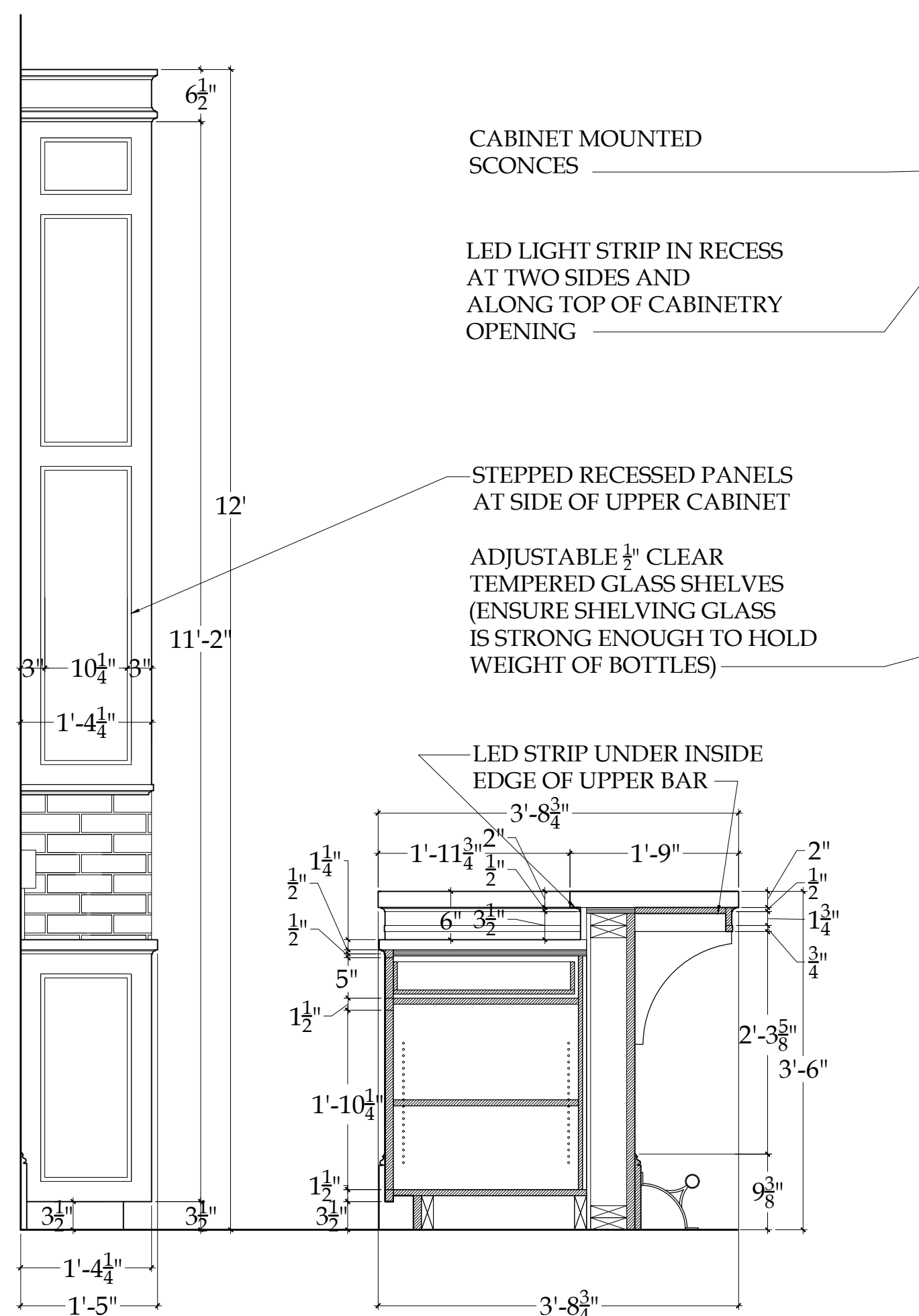
2 MAIN DINING ROOM: EAST ELEVATION @ BAR  
Scale: 3/4"=1'-0"



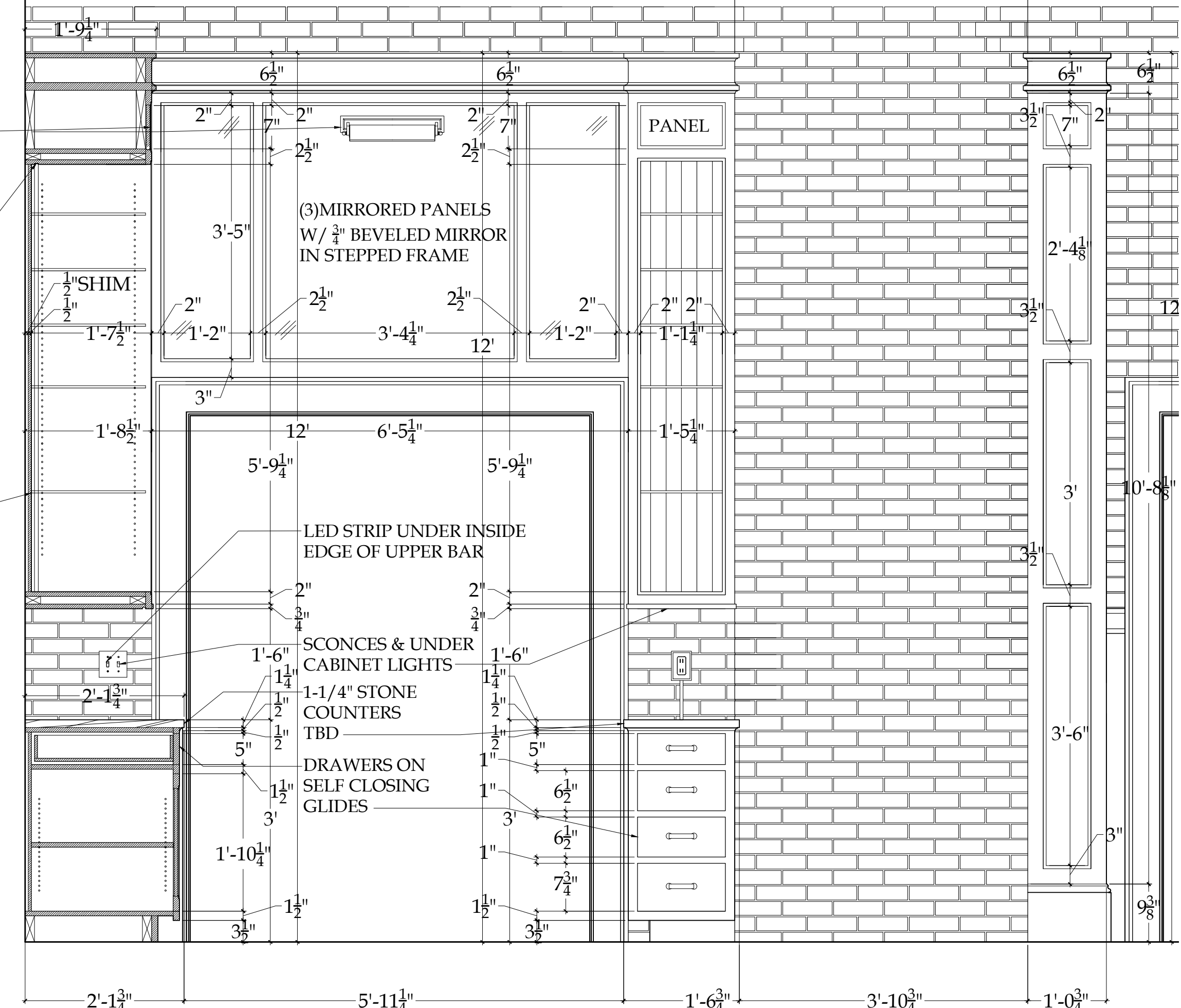
3 MAIN DINING ROOM: EAST ELEV. & SECTION @ INSIDE BAR  
Scale: 3/4"=1'-0"



4 MAIN DINING ROOM: SOUTH ELEVATION @ INSIDE BAR  
Scale: 3/4"=1'-0"



5 MAIN DINING ROOM: EAST ELEVATION @ BAR  
Scale: 3/4"=1'-0"



6 MAIN DINING ROOM: EAST ELEVATION @ INSIDE BAR  
Scale: 3/4"=1'-0"

86 PONDFIELD ROAD WEST, BRONXVILLE, NEW YORK 10708

DIAMOND COVE GENERAL STORE  
MAIN DINING ROOM  
CABINETRY DETAILS

REGISTERED ARCHITECT  
GLENN LORING  
HARRISBURG, PA.  
NO. 0017  
STATE OF MAINE

MRS. ALEXANDRA WIGHT  
GENERAL STORE, GREAT DIAMOND ISLAND  
PORTLAND, MAINE 04109

DATE 1/24/18  
SCALE 3/4"=1'-0"  
SHEET 11.2

NASTASI VAIL DESIGN, LLC