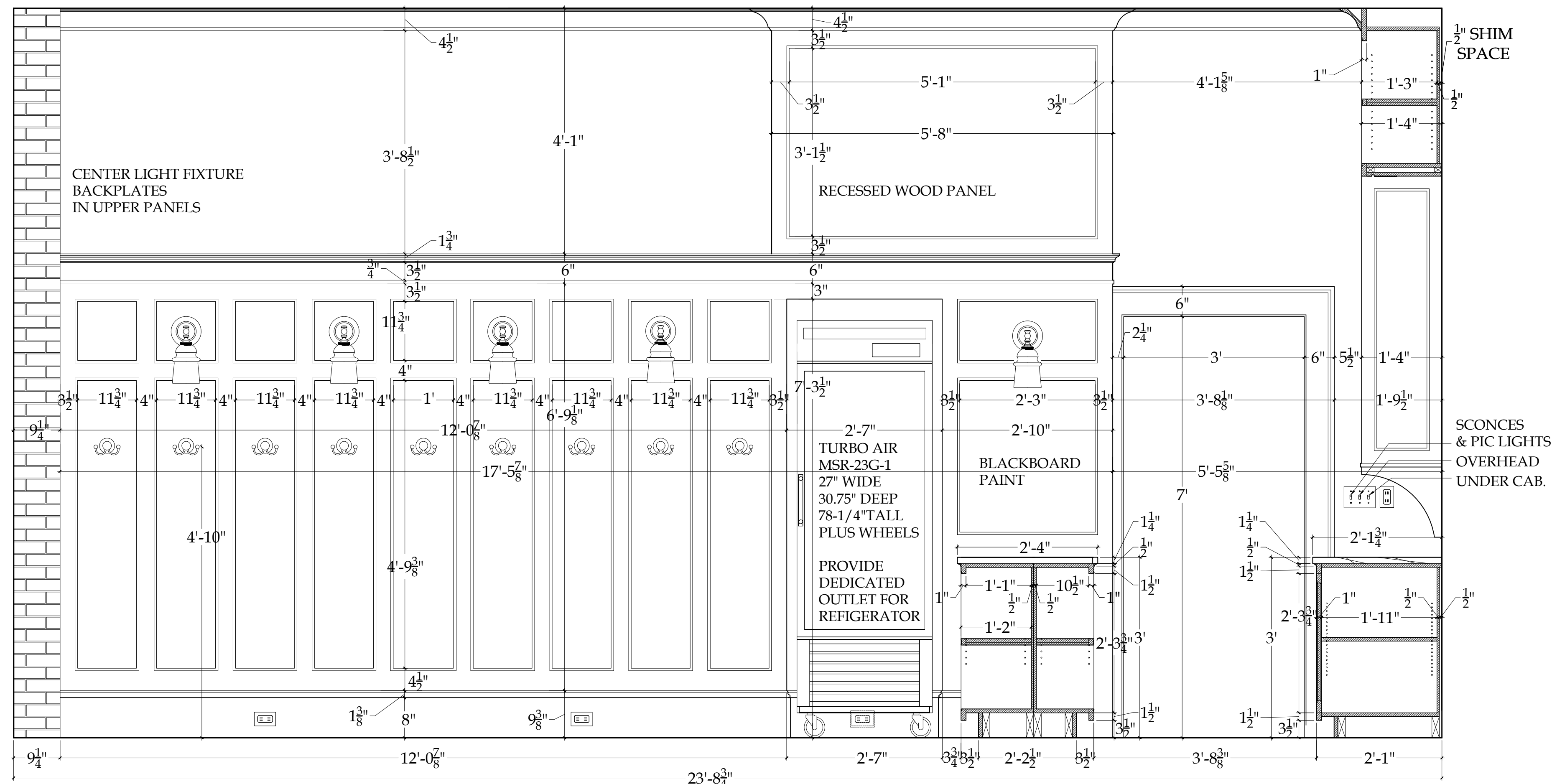
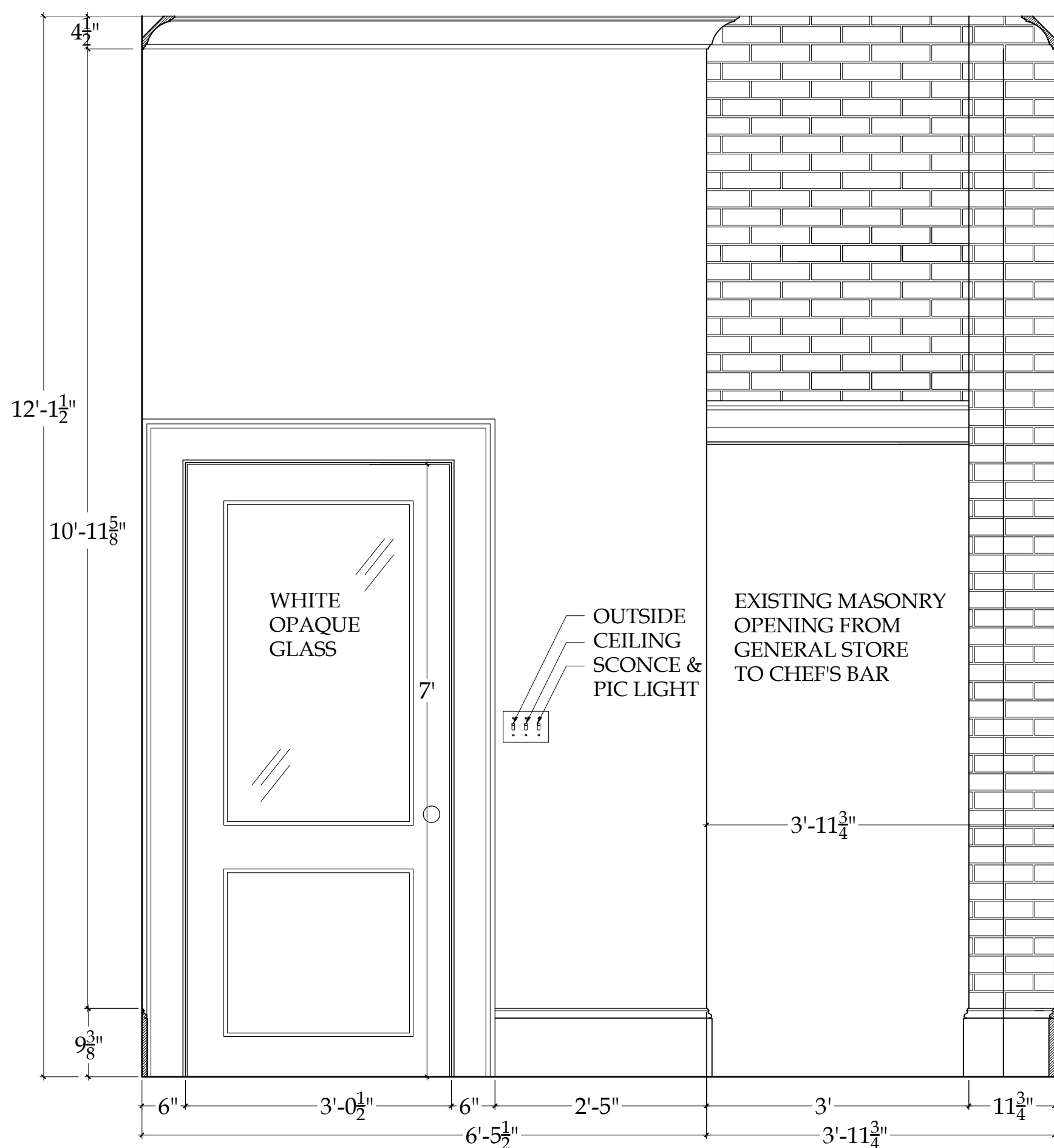


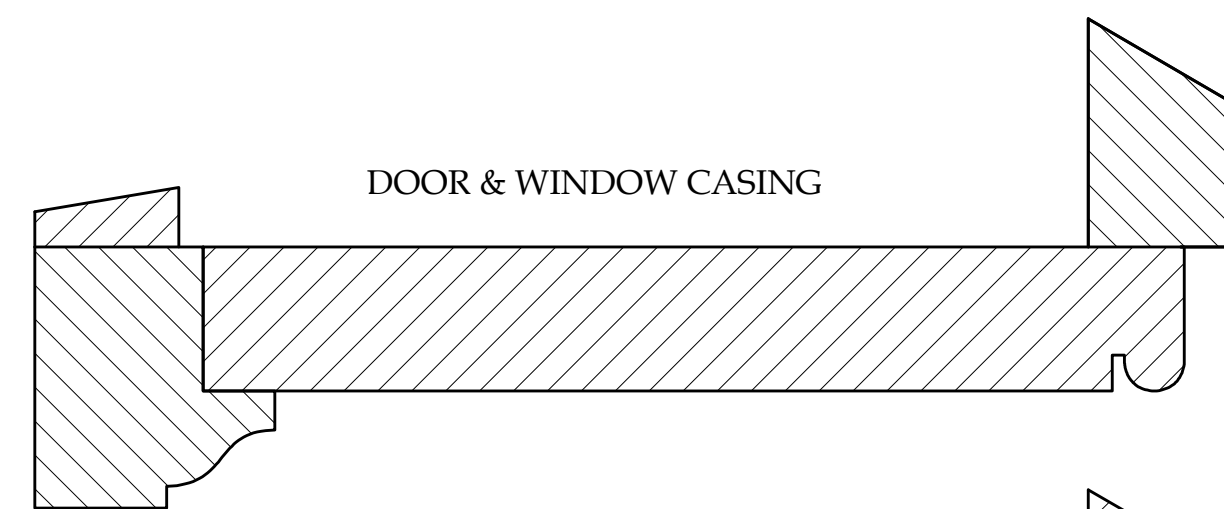
ALL DIMENSIONS MUST BE VERIFIED IN THE FIELD PRIOR TO CONSTRUCTION



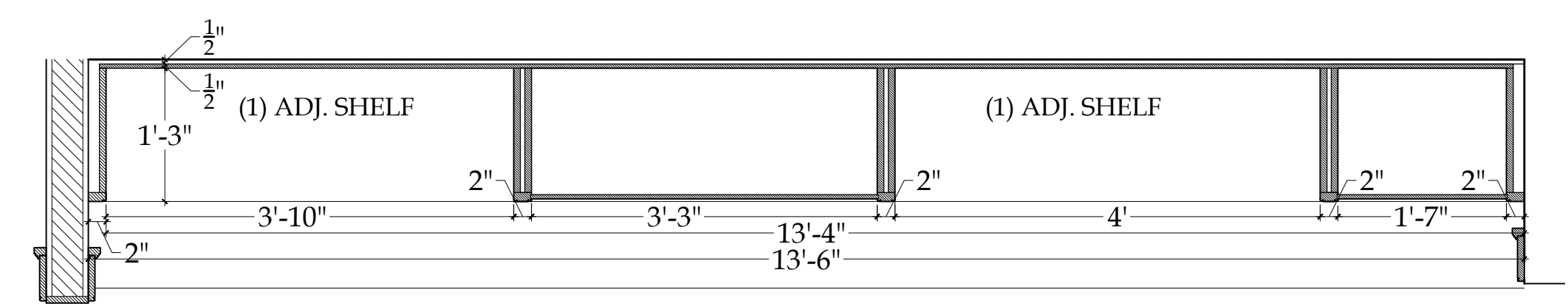
**1**  
1-1.7  
**GENERAL STORE:  
WEST ELEVATION**  
Scale: 3/4"=1'-0"



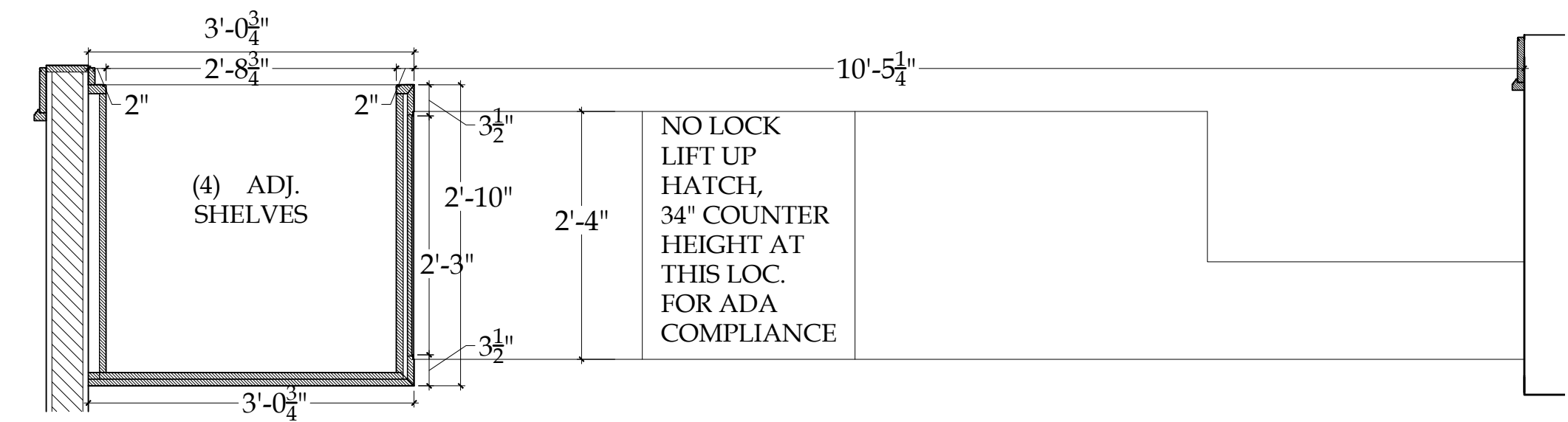
**2**  
1-1.7  
**GENERAL STORE:  
SOUTH ELEVATION**  
Scale: 3/4"=1'-0"



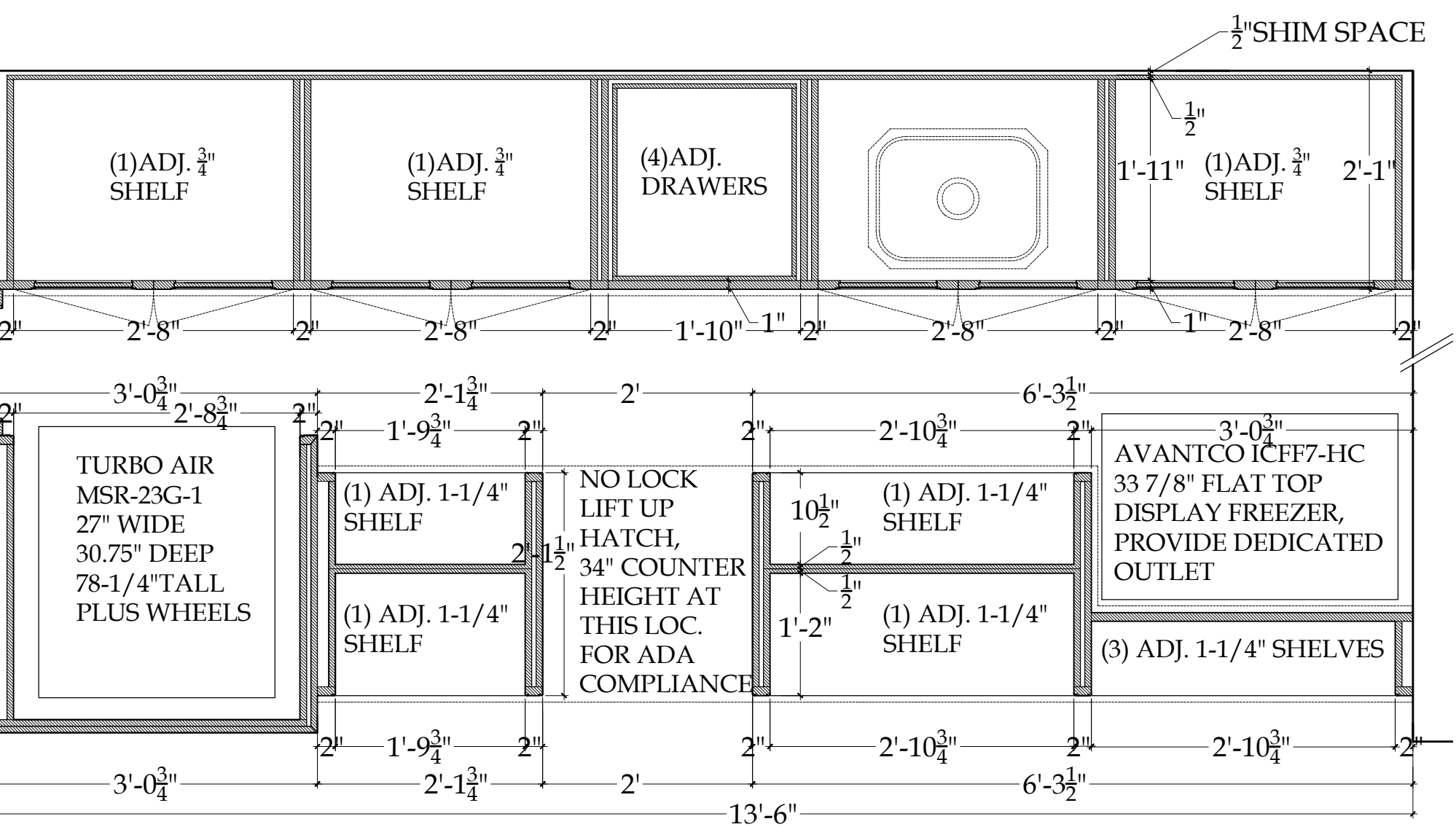
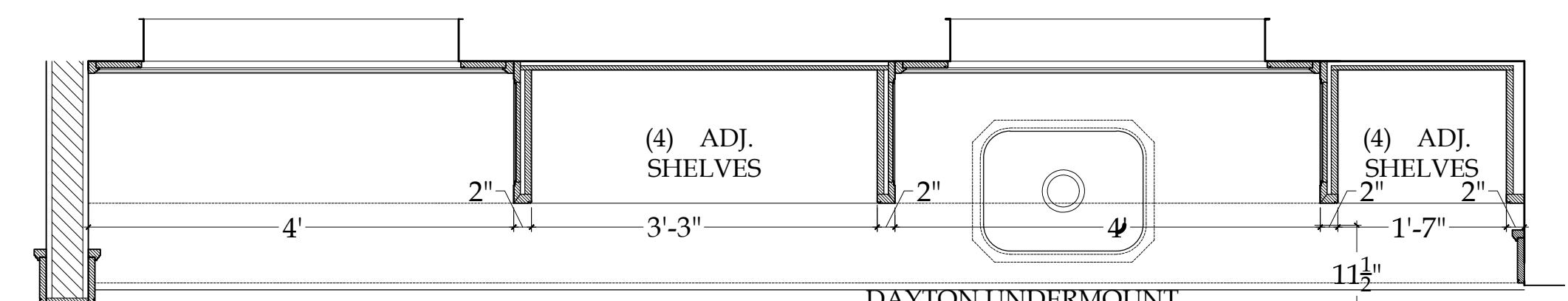
**3**  
1-1.7  
**GENERAL STORE: DOOR CASING**  
Scale: 3/4"=1'-0"



**4**  
1-1.7  
**GENERAL STORE:  
UPPER CABINETRY PLAN**  
Scale: 3/4"=1'-0"



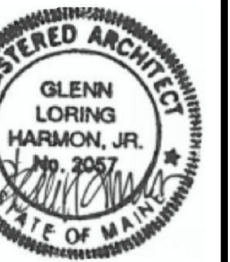
**5**  
1-1.7  
**GENERAL STORE:  
COUNTER CABINETRY PLAN**  
Scale: 3/4"=1'-0"



**6**  
1-1.7  
**GENERAL STORE:  
LOWER CABINETRY PLAN**  
Scale: 3/4"=1'-0"

86 PONDFIELD ROAD WEST, BRONXVILLE, NEW YORK 10708

255 DIAMOND AVENUE  
GENERAL STORE INTERIOR ELEVS.  
& CABINETRY DETAILS



© COPYRIGHT 2017  
NASTASI VAIL DESIGN,  
LLC  
THIS DRAWING IS THE  
PROPERTY OF THE  
DRAWING FIRM AND IS NOT TO BE  
REPRODUCED OR  
TRANSMITTED IN ANY FORM OR  
BY ANY MEANS, ELECTRONIC OR  
MECHANICAL, WITHOUT THE  
WRITTEN PERMISSION  
OF THE DRAWING FIRM.

MRS. ALEXANDRA WIGHT  
255 DIAMOND AVENUE  
PORTLAND, MAINE 04109

DATE: 3/19/18  
SCALE: 3/4"=1'-0"  
SHEET NO: 11.7