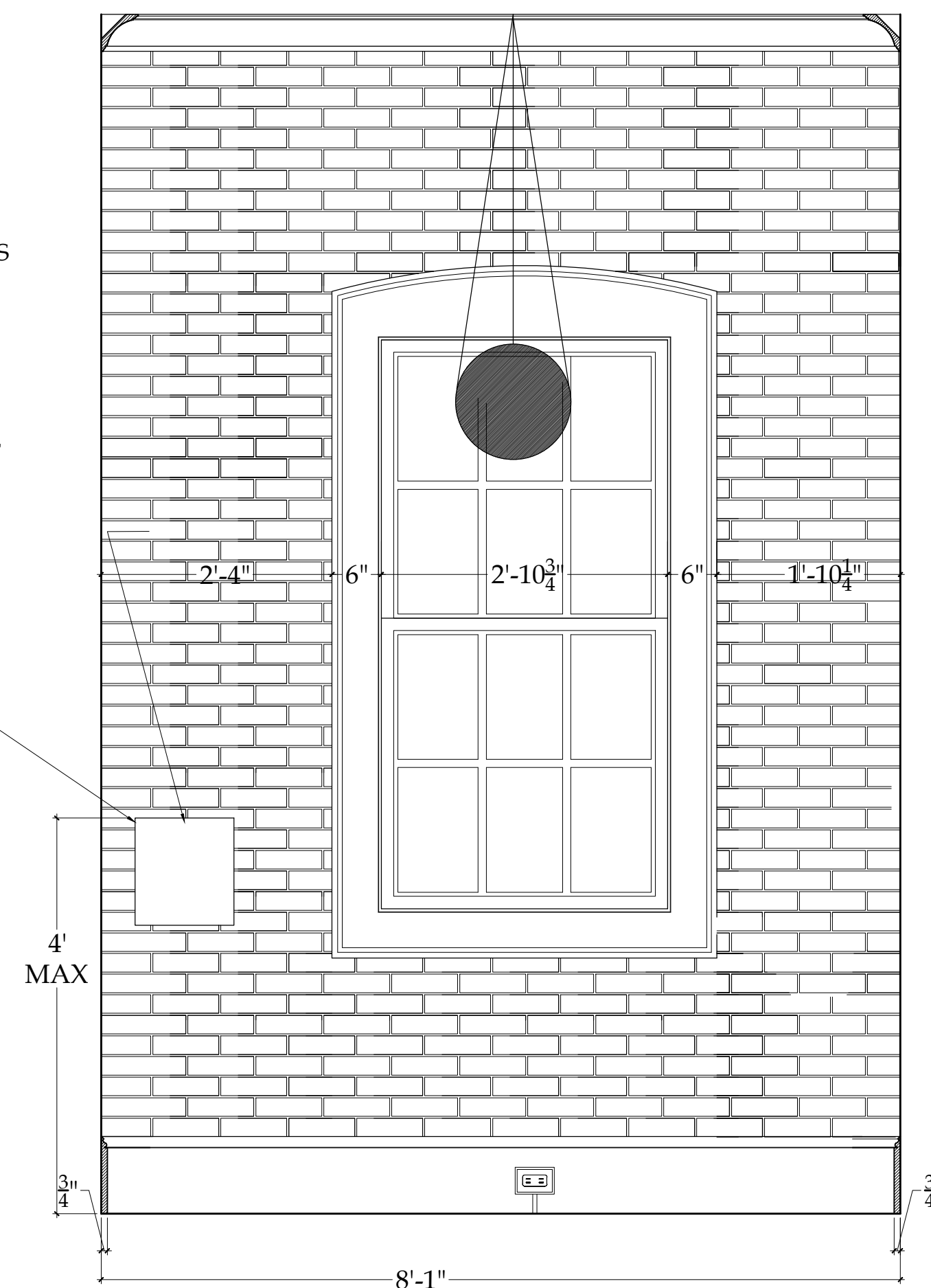
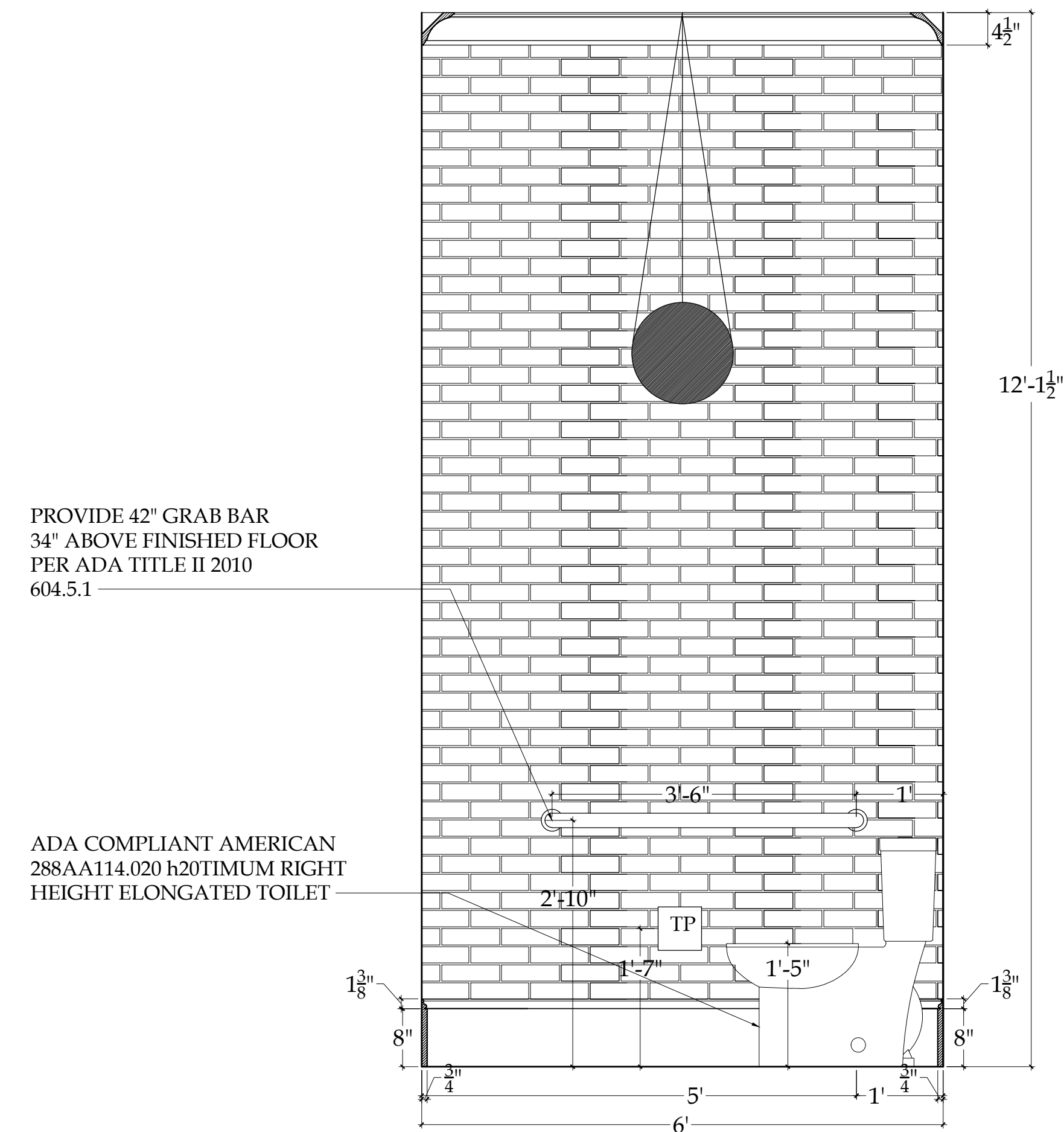


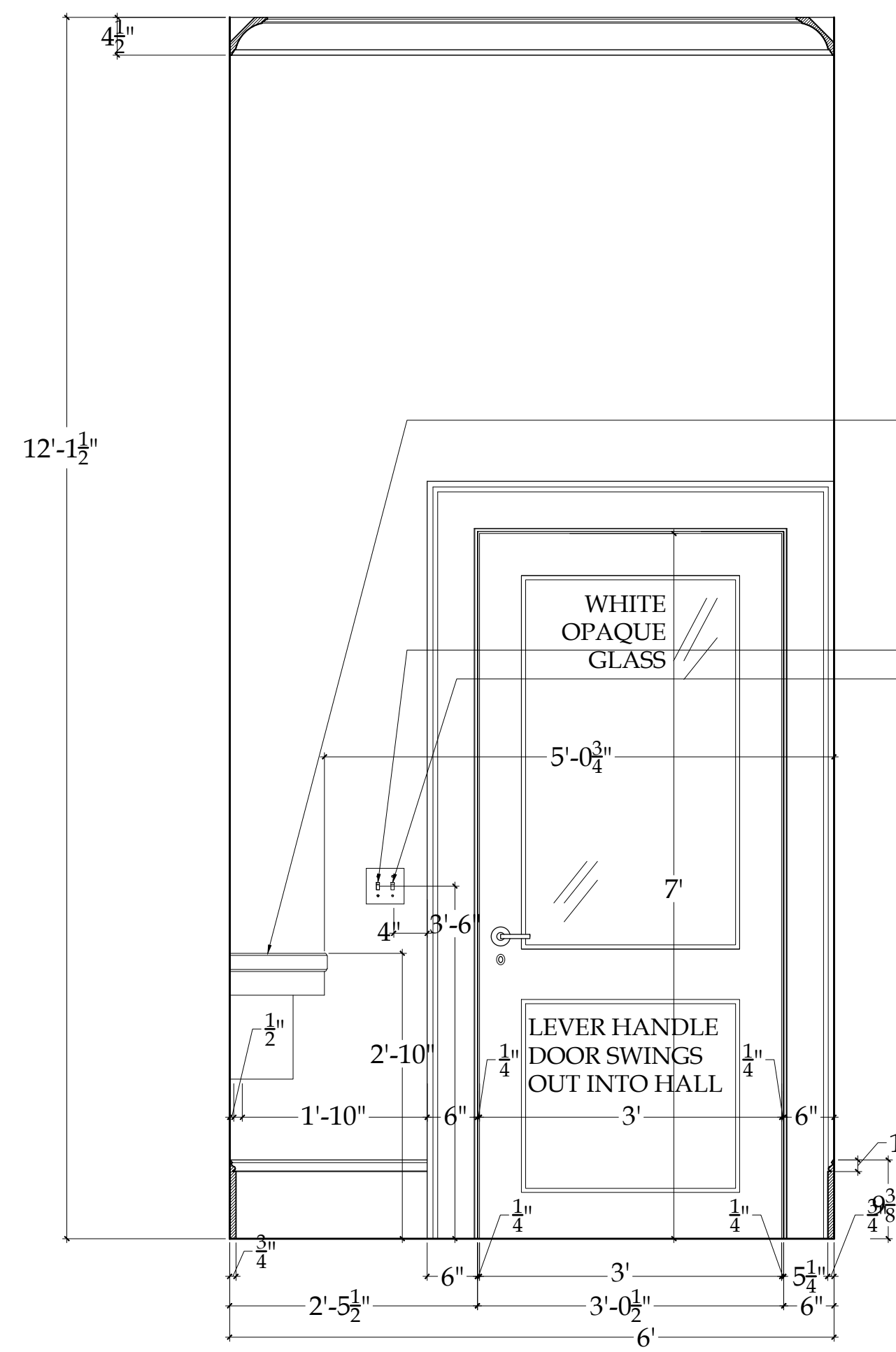
1 RESTROOM: PLAN SECTION
1-1.5
Scale: 3/4"=1'-0"



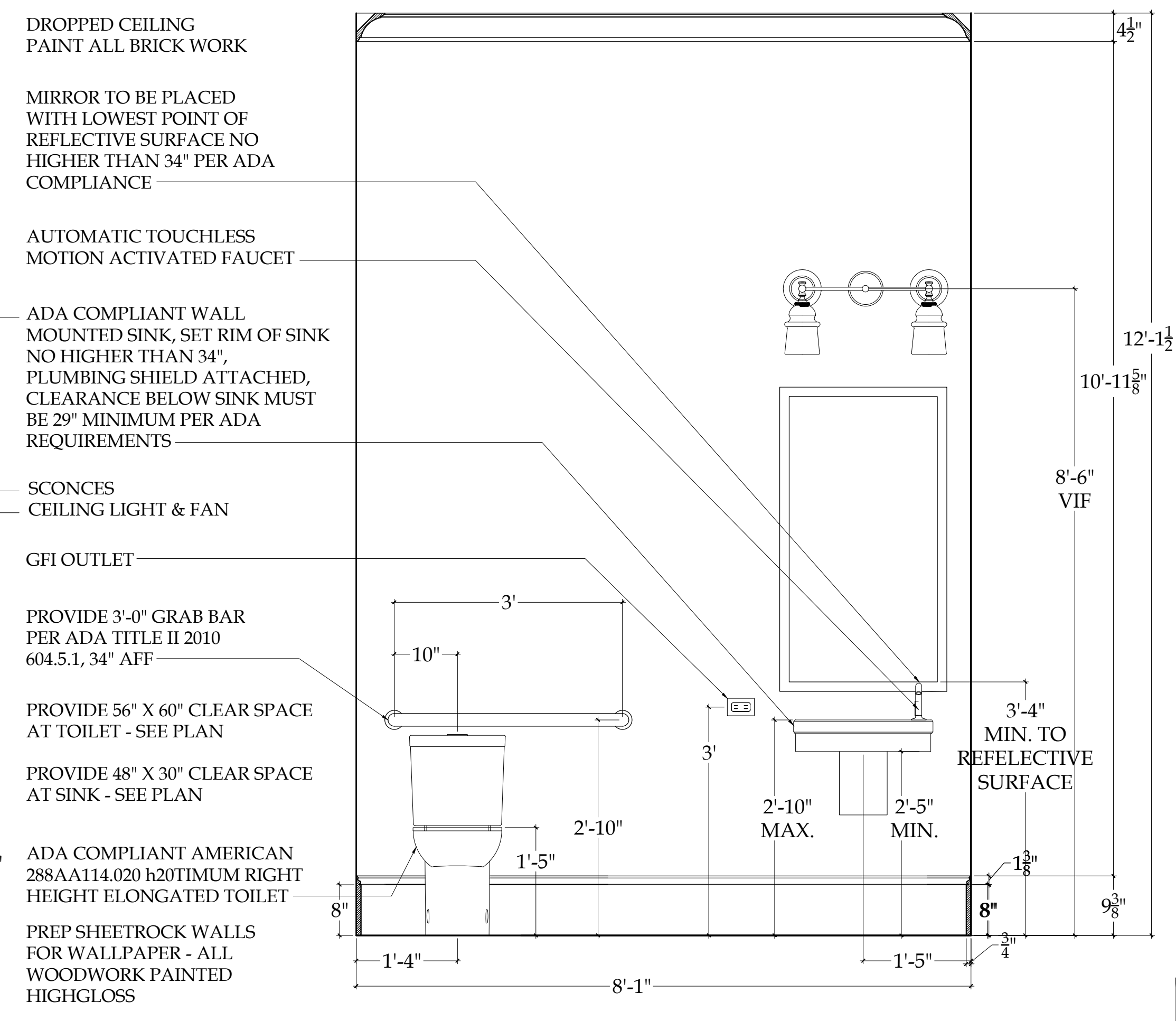
2 RESTROOM: EAST ELEV.
1-1.5
Scale: 3/4"=1'-0"



3 RESTROOM: SOUTH ELEV.
1-1.5
Scale: 3/4"=1'-0"



4 RESTROOM: NORTH ELEV.
1-1.5
Scale: 3/4"=1'-0"



5 RESTROOM: WEST ELEV.
1-1.5
Scale: 3/4"=1'-0"

86 PONDFIELD ROAD WEST, BRONXVILLE, NEW YORK 10708

REVISIONS
DATE REMARKS

REGISTERED ARCHITECT
GLENN LORING HARRISON, JR.
NO. 2057
STATE OF MAINE

DIAMOND COVE GENERAL STORE
RESTROOM INTERIOR ELEVATIONS
AND MOULDING DETAILS

© COPYRIGHT 2017
NASTASI VAIL DESIGN, LLC
THIS DRAWING IS THE
PROPERTY OF THE ARCHITECT
AND MAY NOT BE
REPRODUCED OR
TRANSMITTED IN ANY
MANNER WITHOUT THE
WRITTEN PERMISSION.

NASTASI VAIL DESIGN, LLC

MRS. ALEXANDRA WIGHT
255 DIAMOND AVENUE
PORTLAND, MAINE 04109

DATE 3/22/18
SCALE 3/4"=1'-0"
SHEET NO. 11.5