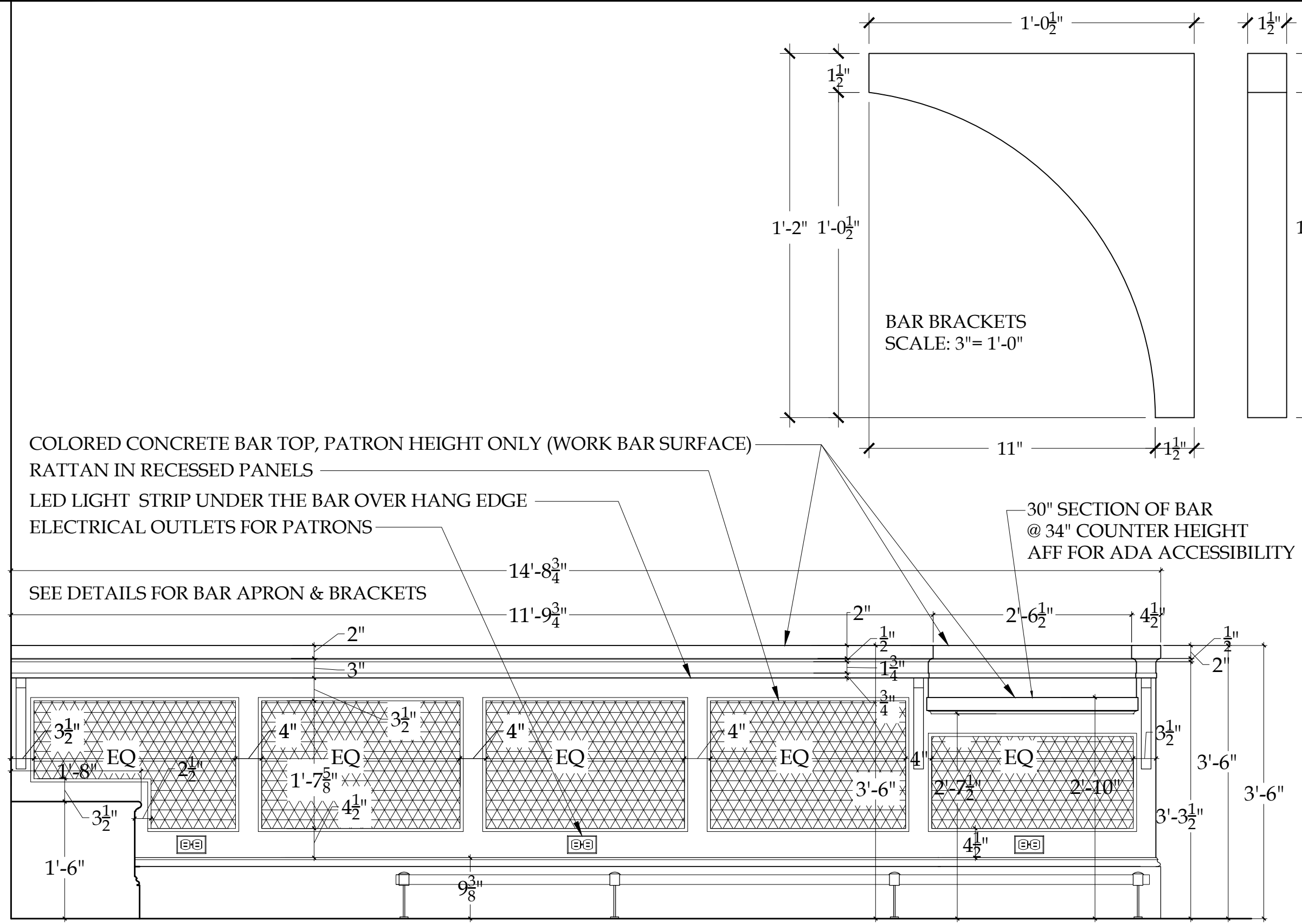
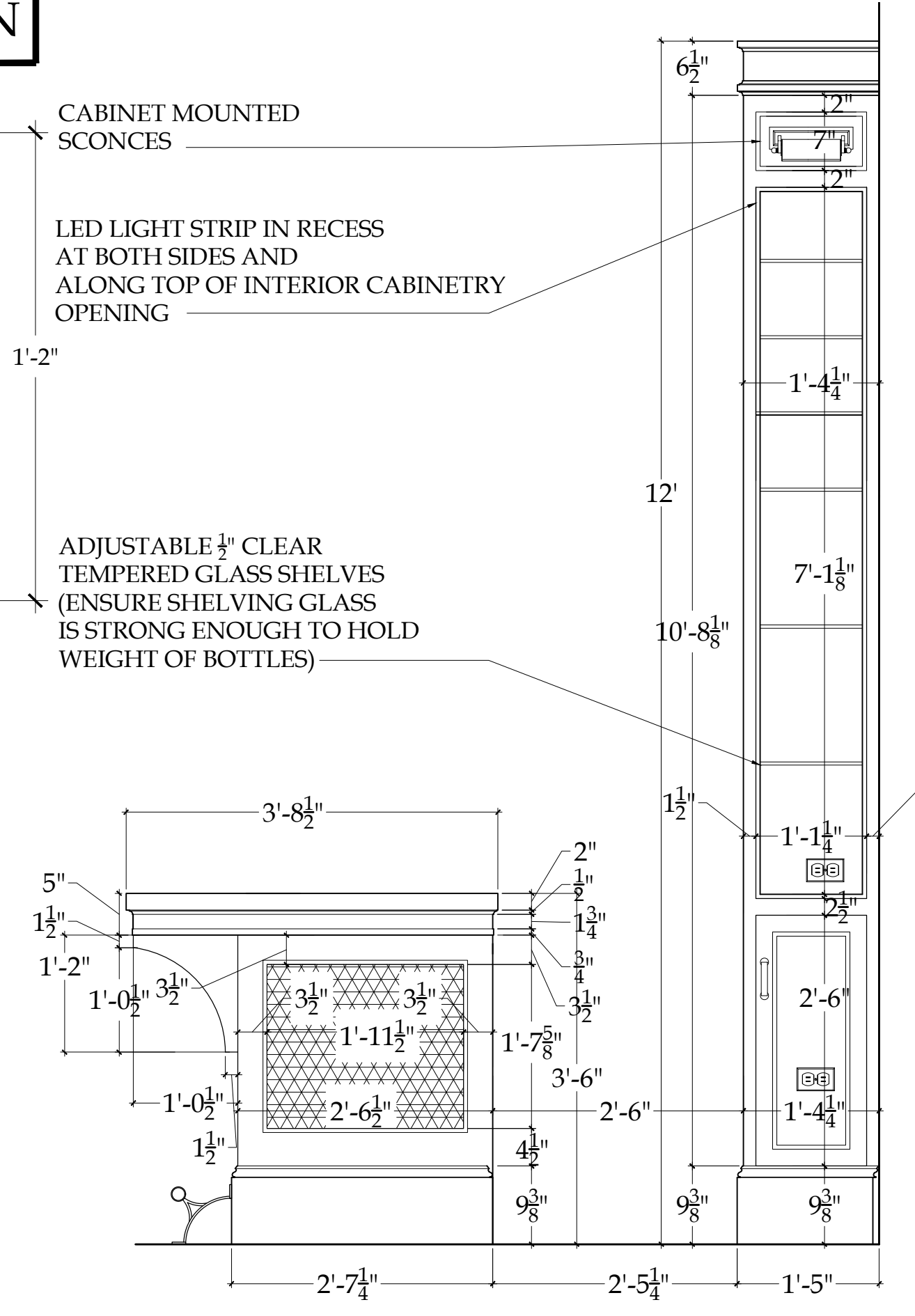


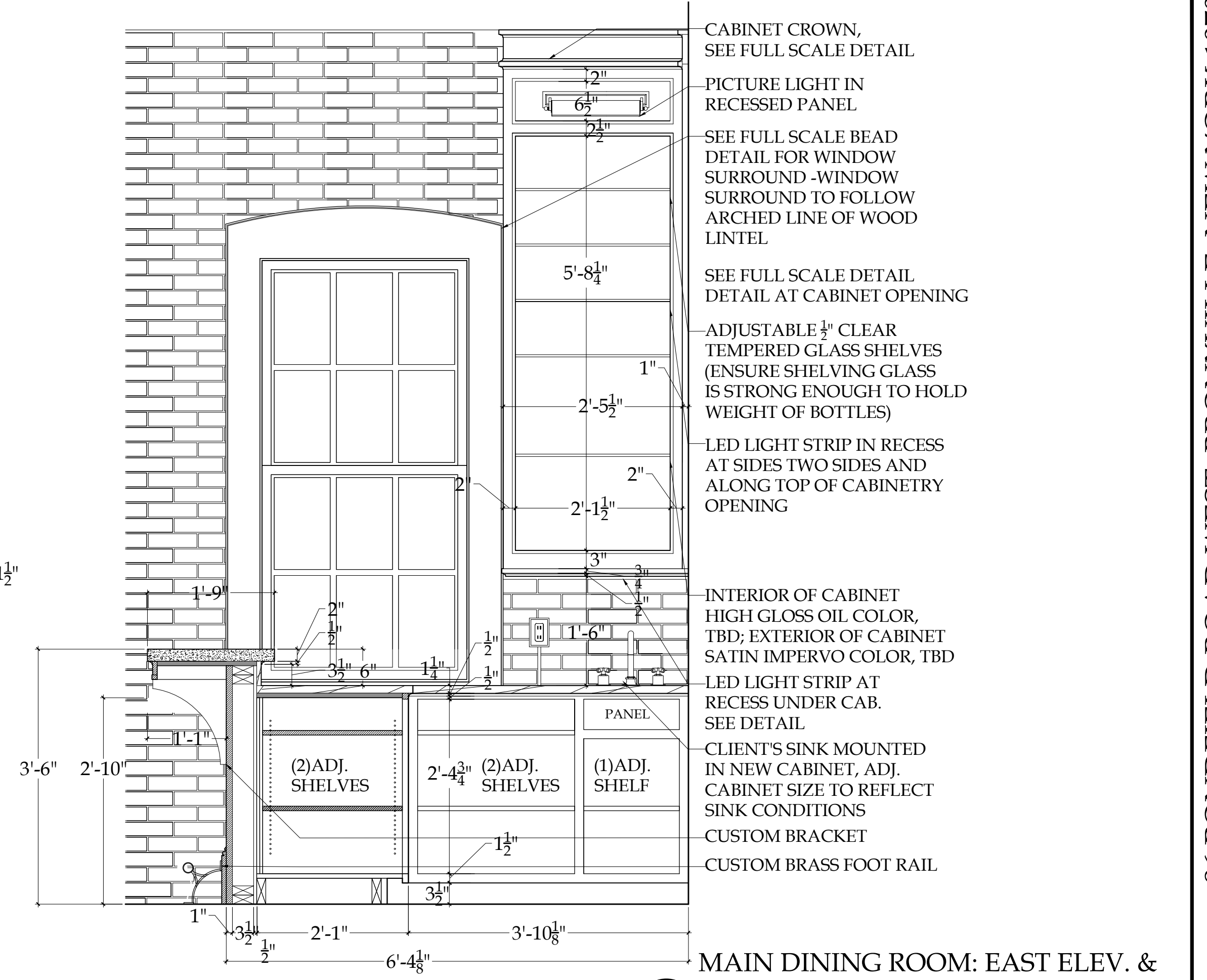
ALL DIMENSIONS MUST BE VERIFIED IN THE FIELD PRIOR TO CONSTRUCTION



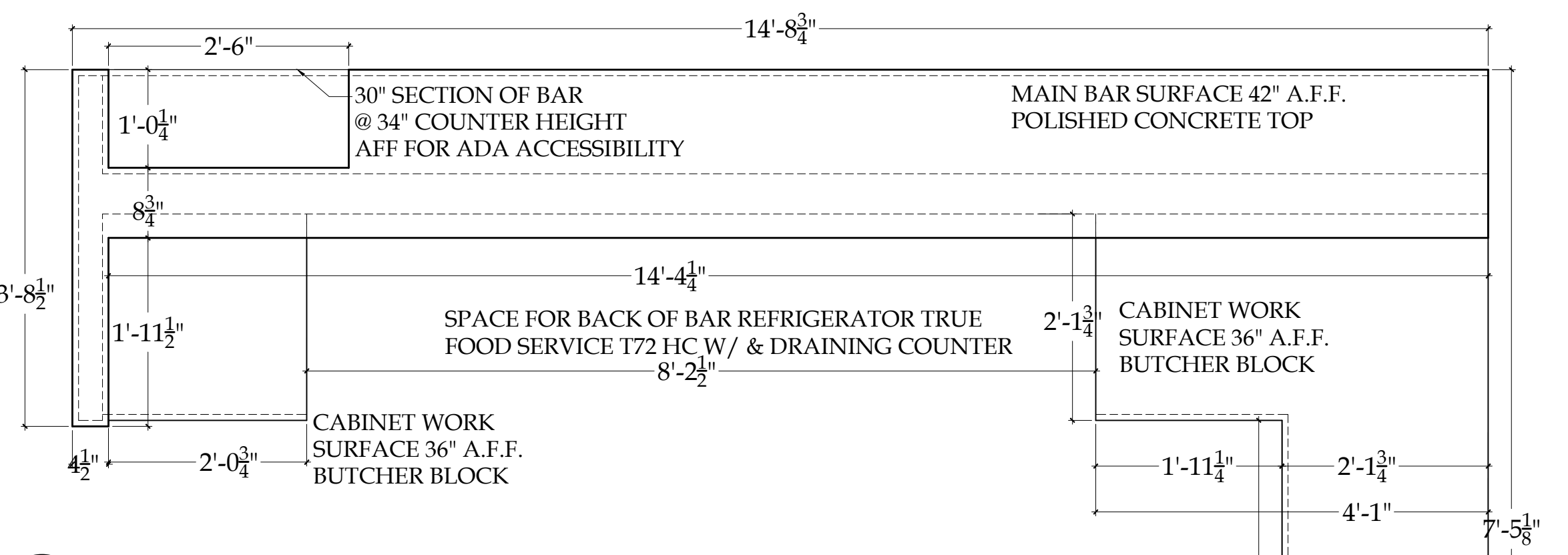
1 MAIN DINING ROOM: NORTH ELEVATION @ BAR  
Scale: 3/4"=1'-0"



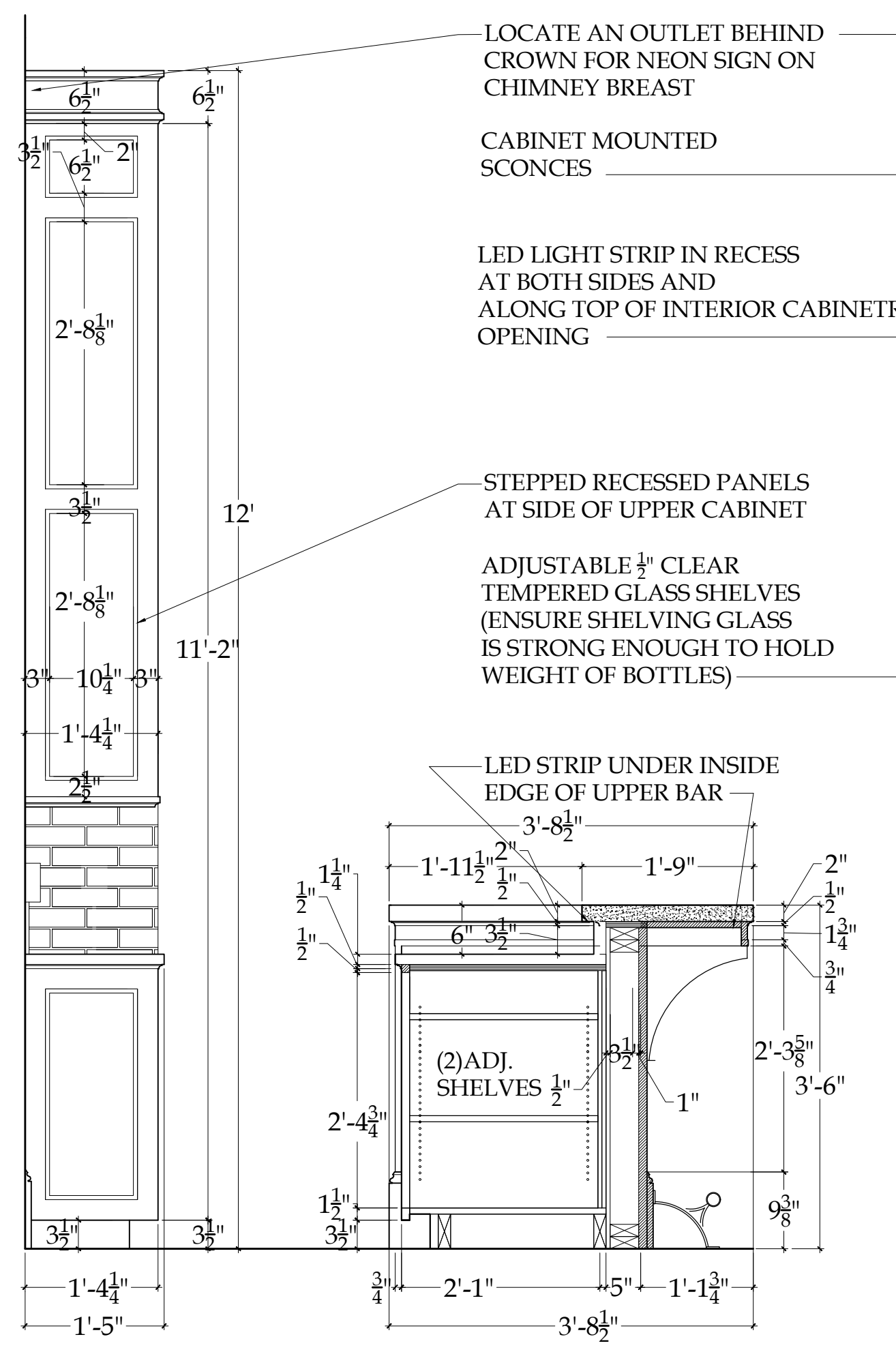
2 MAIN DINING ROOM: EAST ELEVATION @ BAR  
Scale: 3/4"=1'-0"



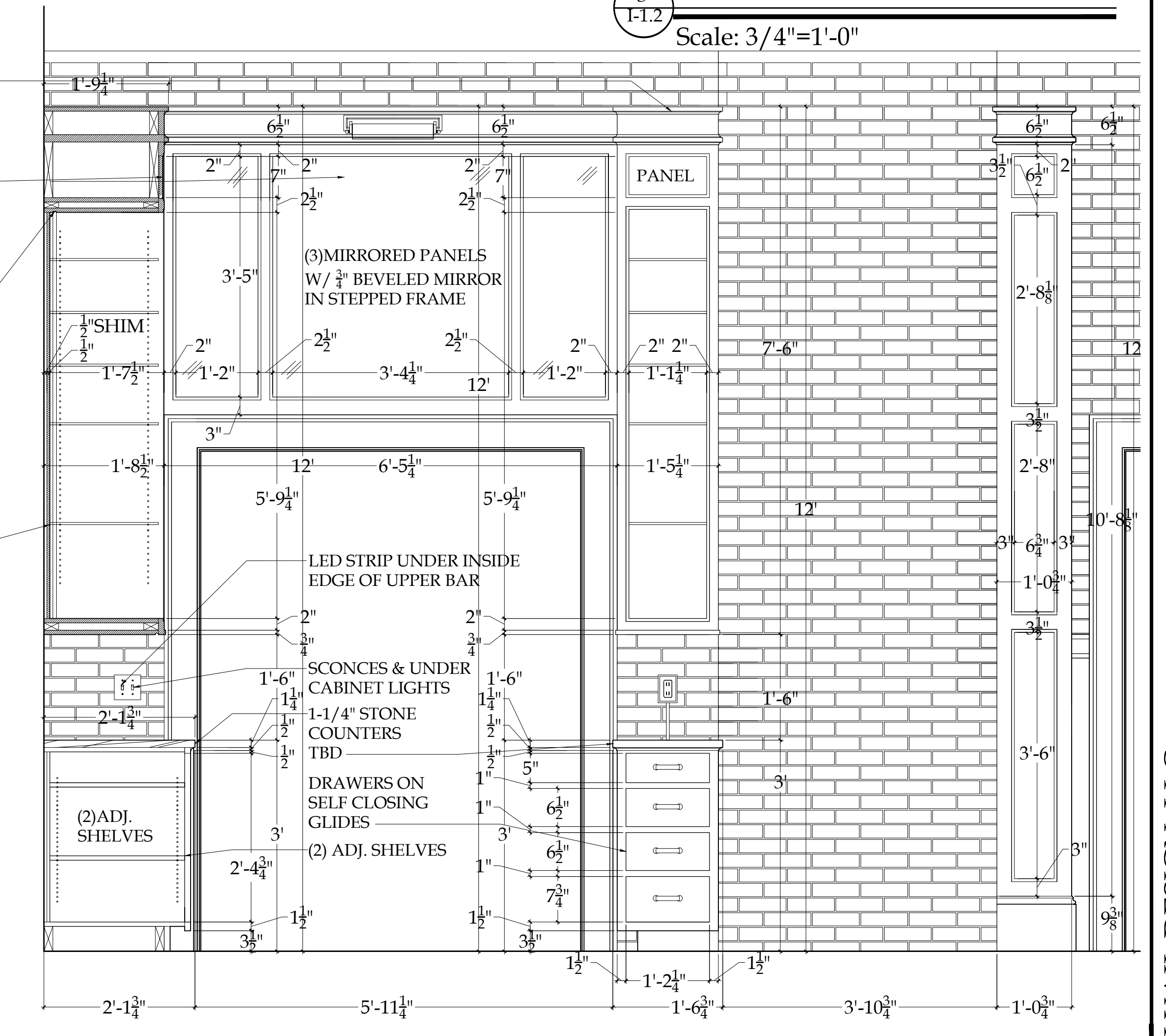
3 MAIN DINING ROOM: EAST ELEV. & SECTION @ INSIDE BAR  
Scale: 3/4"=1'-0"



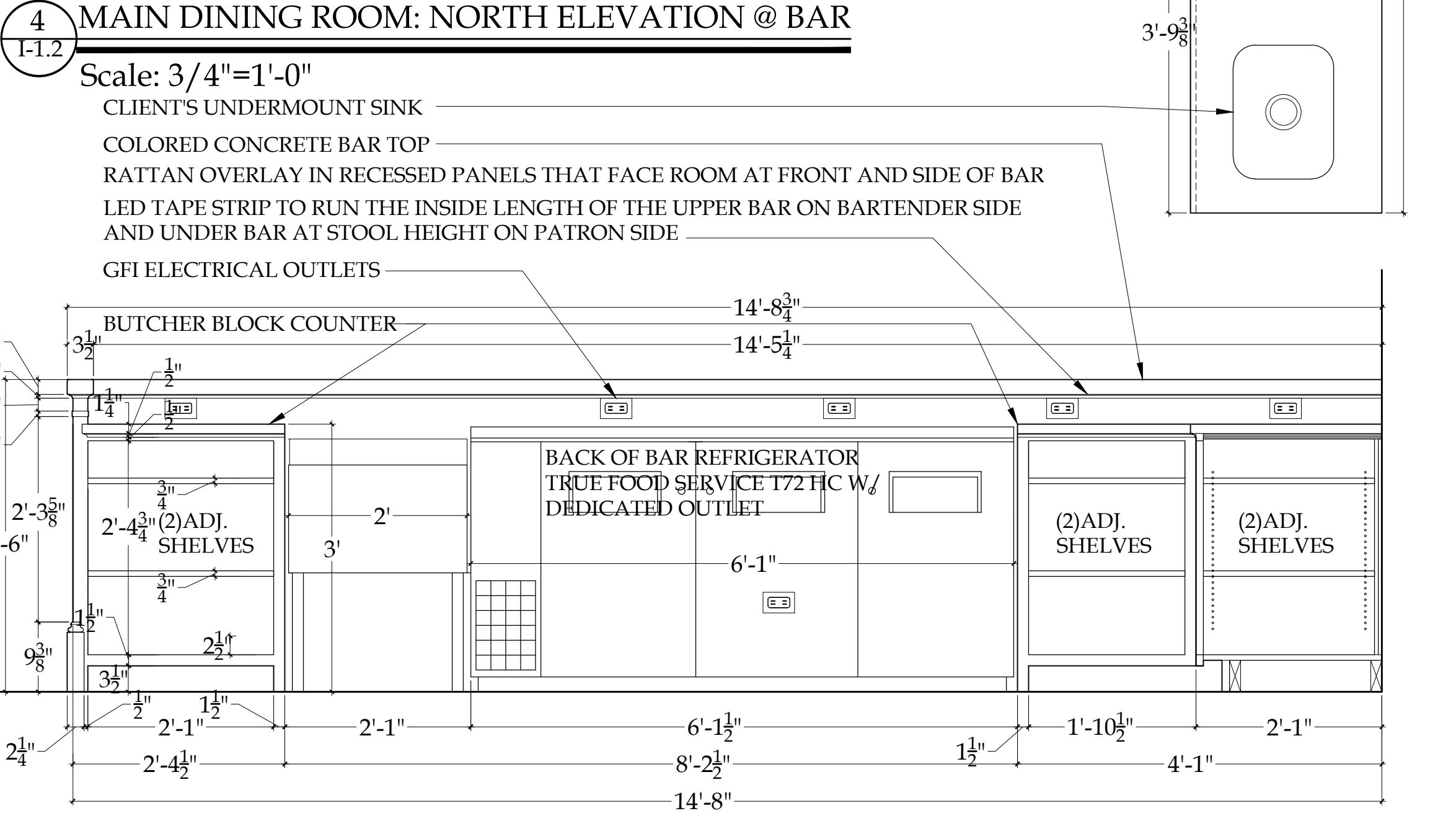
4 MAIN DINING ROOM: NORTH ELEVATION @ BAR  
Scale: 3/4"=1'-0"



6 MAIN DINING ROOM: EAST ELEVATION @ BAR  
Scale: 3/4"=1'-0"



7 MAIN DINING ROOM: EAST ELEVATION @ INSIDE BAR  
Scale: 3/4"=1'-0"



5 MAIN DINING ROOM: SOUTH ELEVATION @ INSIDE BAR  
Scale: 3/4"=1'-0"

86 PONDFIELD ROAD WEST, BRONXVILLE, NEW YORK 10708

255 DIAMOND AVENUE  
MAIN DINING ROOM  
CABINETRY DETAILS

REVISIONS  
DATE REMARKS

REGISTERED ARCHITECT  
GLENN LORING  
HARRICK, N.Y.  
NO. 1057  
STATE OF MASS.

86 PONDFIELD ROAD WEST, BRONXVILLE, NEW YORK 10708

86 PONDFIELD ROAD WEST, BRONXVILLE, NEW YORK 10708

MRS. ALEXANDRA WIGHT  
255 DIAMOND AVENUE  
PORTLAND, MAINE 04109

DATE 3/19/18  
SCALE 3/4"=1'-0"  
SHEET NO. 11.2