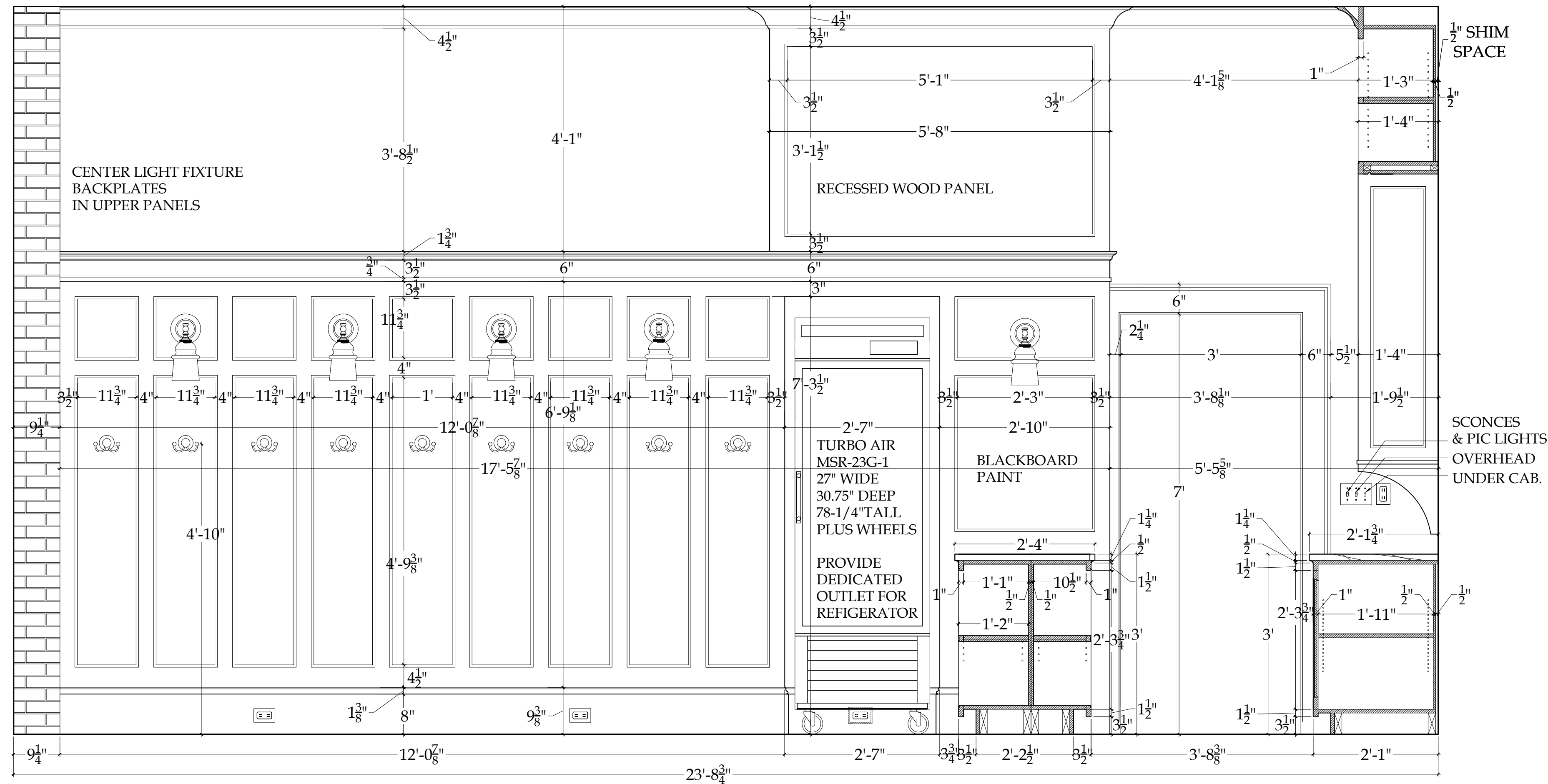
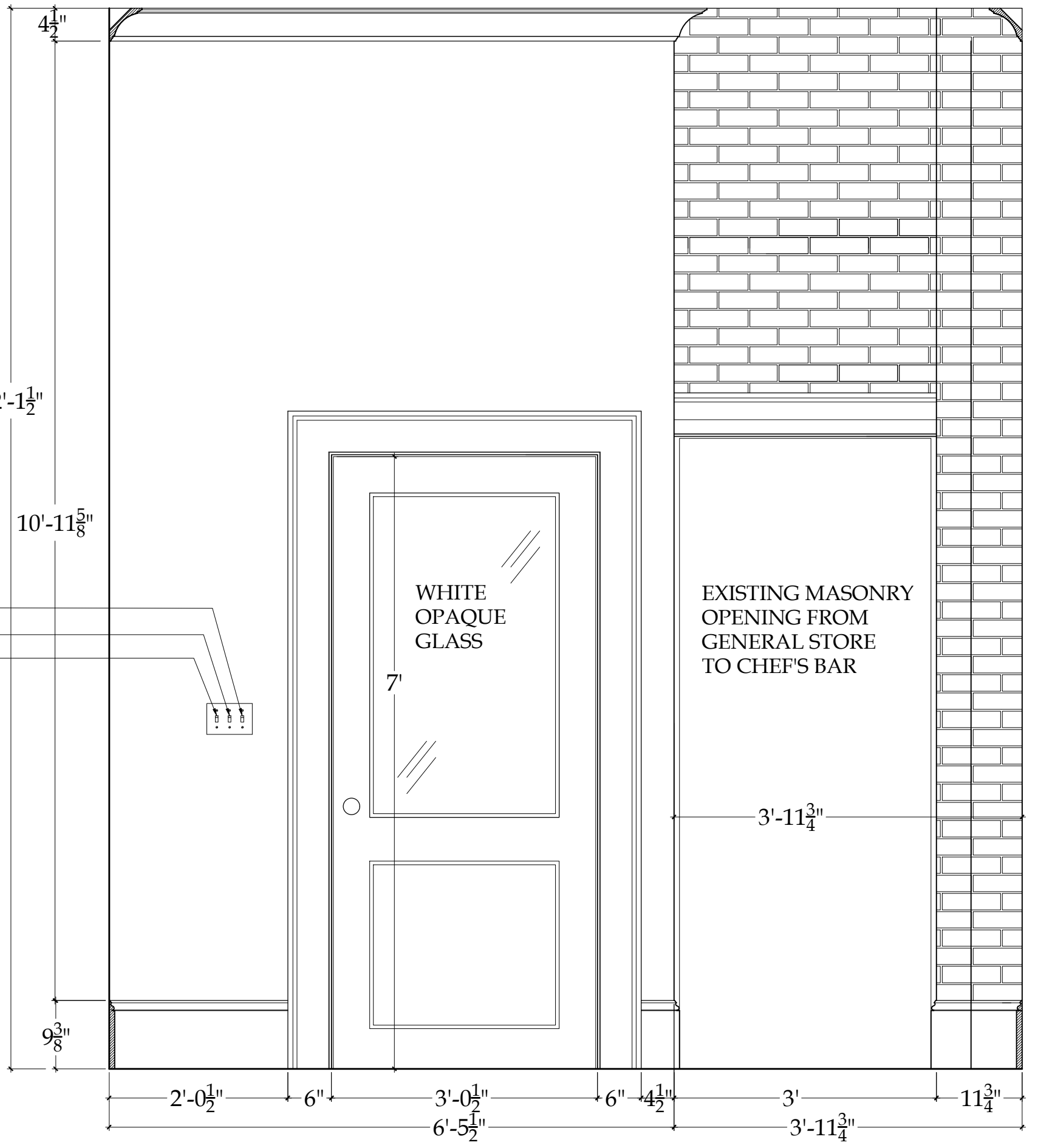


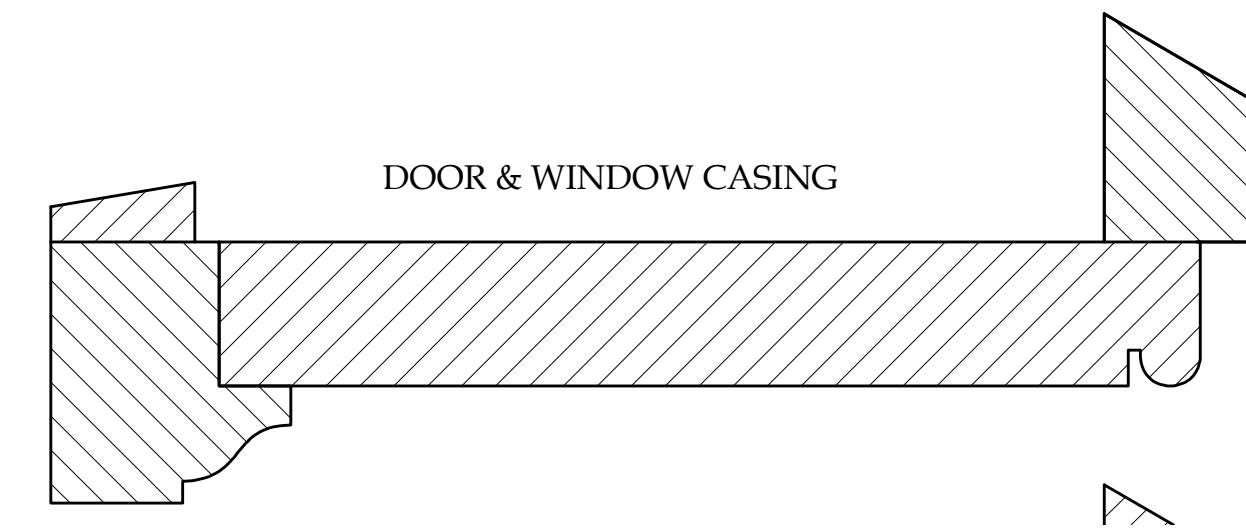
ALL DIMENSIONS MUST BE VERIFIED IN THE FIELD PRIOR TO CONSTRUCTION



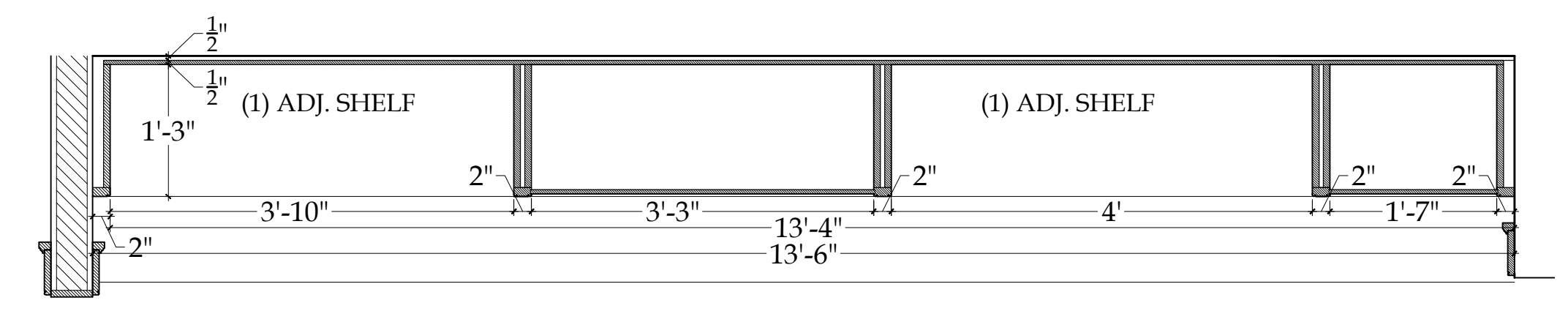
1
1-1.7
GENERAL STORE:
WEST ELEVATION
Scale: 3/4"=1'-0"



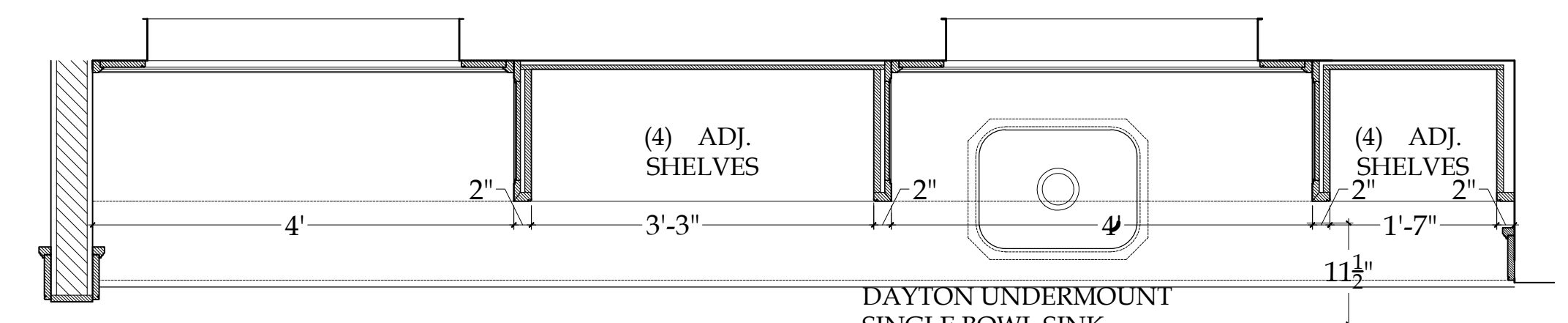
2
1-1.7
GENERAL STORE:
SOUTH ELEVATION
Scale: 3/4"=1'-0"



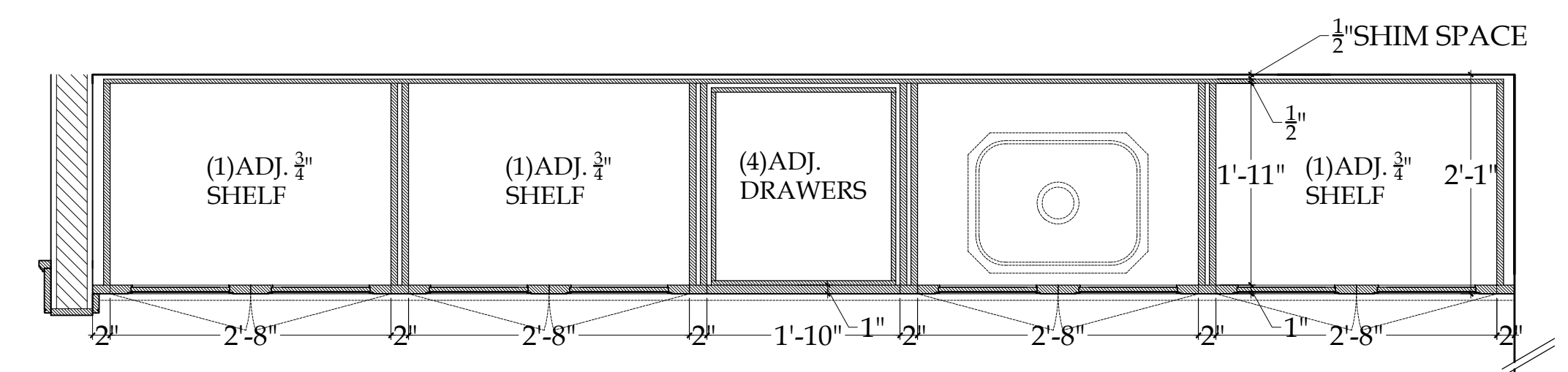
3
1-1.7
GENERAL STORE: DOOR CASING
Scale: 3/4"=1'-0"



4
1-1.7
GENERAL STORE:
UPPER CABINETRY PLAN
Scale: 3/4"=1'-0"



5
1-1.7
GENERAL STORE:
COUNTER CABINETRY PLAN
Scale: 3/4"=1'-0"



6
1-1.7
GENERAL STORE:
LOWER CABINETRY PLAN
Scale: 3/4"=1'-0"

86 PONDFIELD ROAD WEST, BRONXVILLE, NEW YORK 10708

255 DIAMOND AVENUE
GENERAL STORE INTERIOR ELEVS.
& CABINETRY DETAILS

REGISTERED ARCHITECT
GLENN LORING
HARRISON, JR.
STATE OF MAINE

MRS. ALEXANDRA WIGHT
255 DIAMOND AVENUE
PORTLAND, MAINE 04109

DATE: 3/19/18
SCALE: 3/4"=1'-0"
SHEET NO: 11.7

REVISIONS
DATE: REMARKS

REVISIONS
DATE: REMARKS

REGISTERED ARCHITECT
GLENN LORING
HARRISON, JR.
STATE OF MAINE

REGISTERED ARCHITECT
GLENN LORING
HARRISON, JR.
STATE OF MAINE

REGISTERED ARCHITECT
GLENN LORING
HARRISON, JR.
STATE OF MAINE

REGISTERED ARCHITECT
GLENN LORING
HARRISON, JR.
STATE OF MAINE

REGISTERED ARCHITECT
GLENN LORING
HARRISON, JR.
STATE OF MAINE

REGISTERED ARCHITECT
GLENN LORING
HARRISON, JR.
STATE OF MAINE