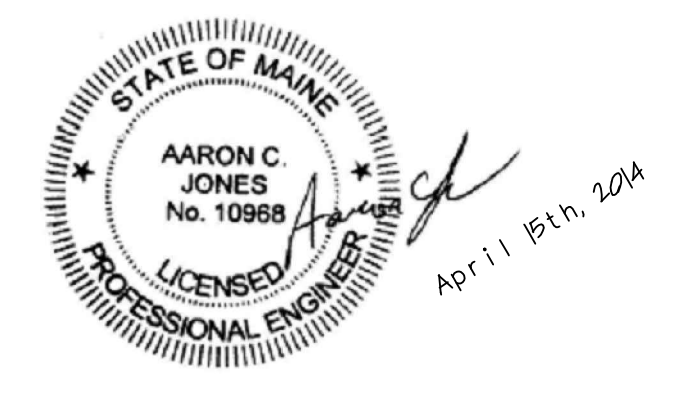
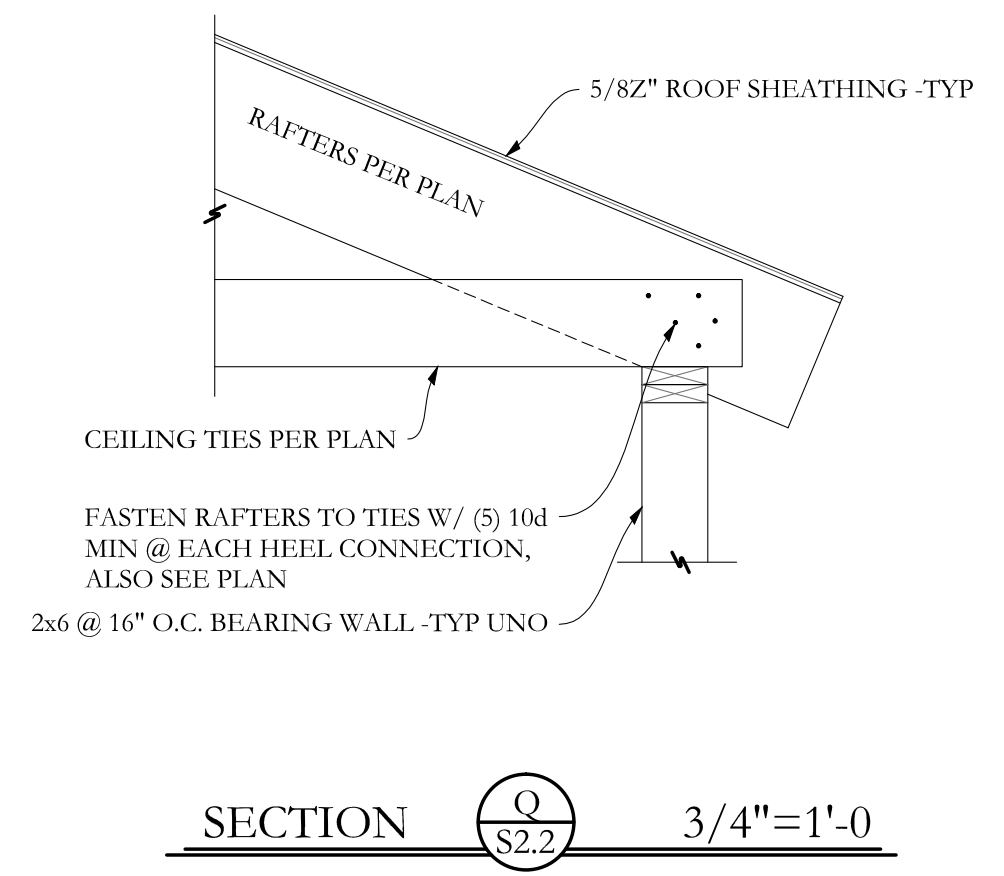
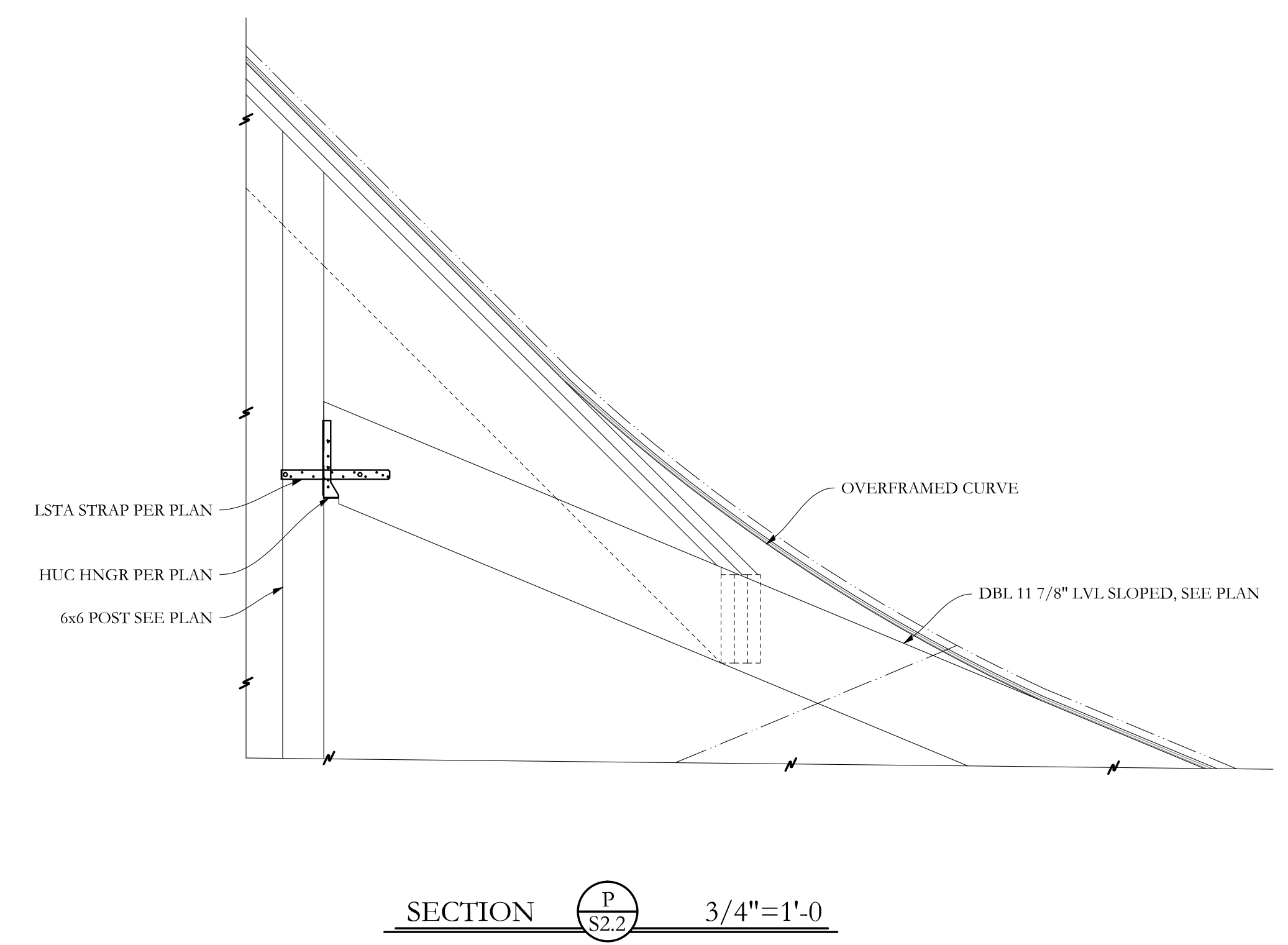
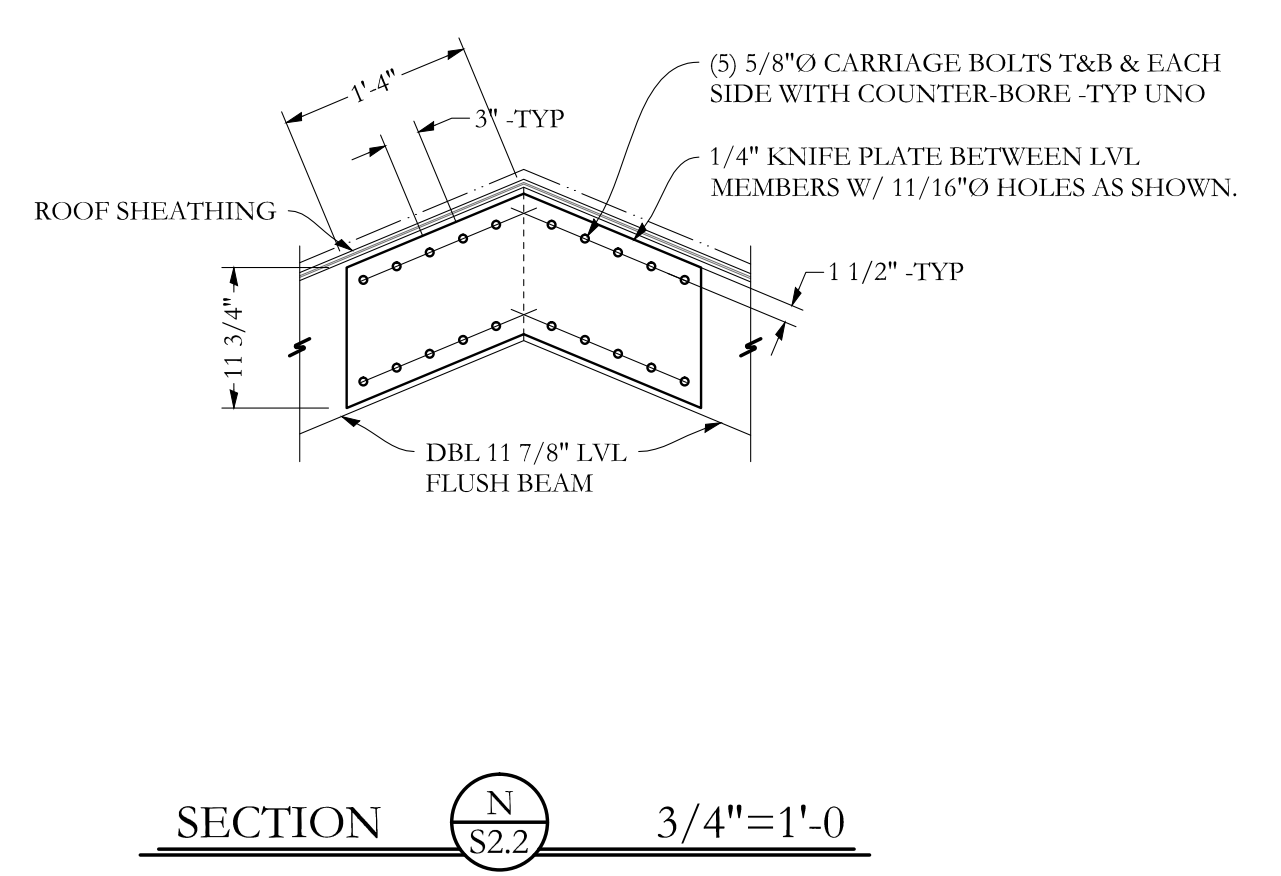
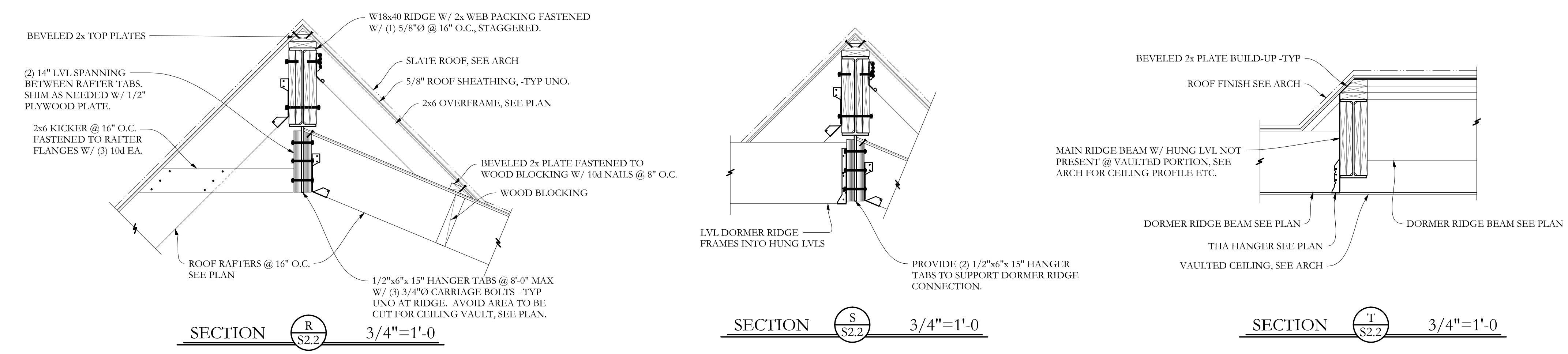


1



Kevin Browne ARCHITECTURE
 207-847-3499
 kevin@kevinbrowne.com
 7 breezy hill lane
 fallmouth, me 04105

REVISIONS:

CONSULTANTS:
Structural Integrity
 Consulting Engineers
 77 Oak Street
 Portland, ME 04108
 P: 603-791-7835
 www.structuralintegrity.com
 BUILD WITH CONFIDENCE!
 6999 Ave. C, Box 14
 SI # 14-0040

BEAULIEU RESIDENCE
 CLIENT: RON & LORI BEAULIEU
 ADDRESS: LOT #6 GREAT DIAMOND ISLAND, ME

SECTIONS
 REV: 1-06/18/14
 DATE: 04/14/2014
 PROJECT NO.: 2013-14
 DRAWN: MKL
 SCALE: 1/4" = 1'-0"

S2.2