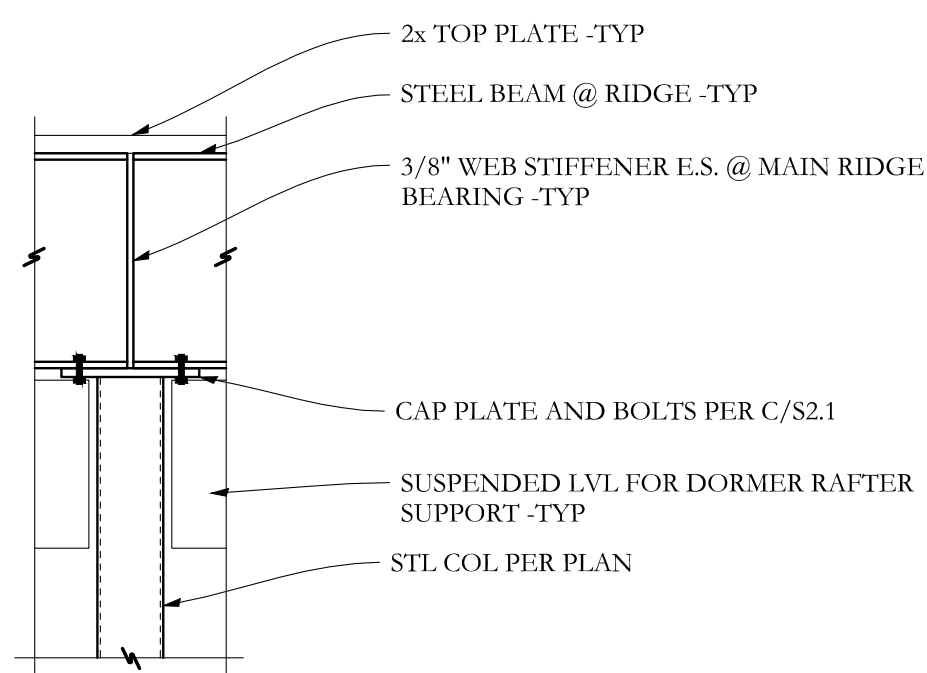
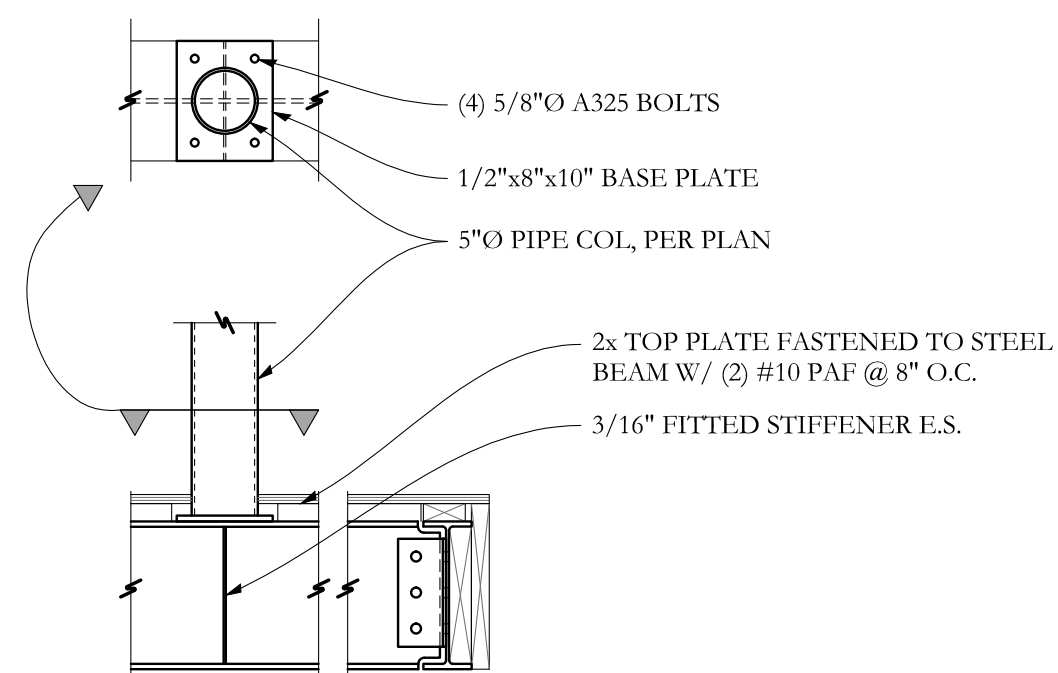


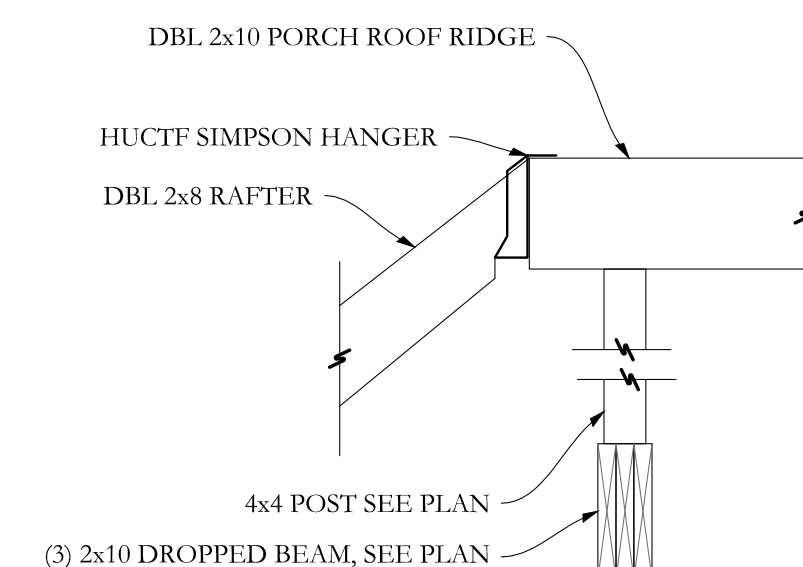
SECTION **I** S2.1 1 1/2"=1'-0



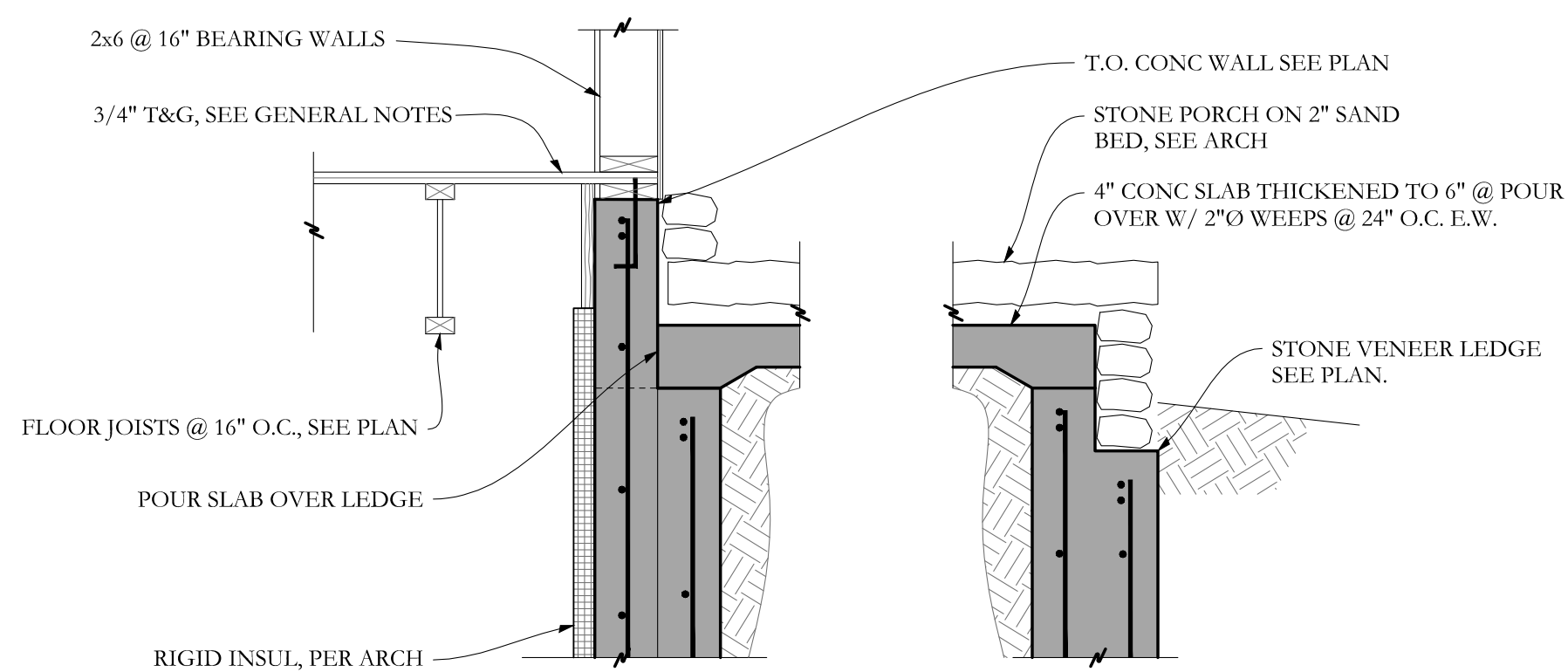
SECTION **K** S2.1 3/4"=1'-0



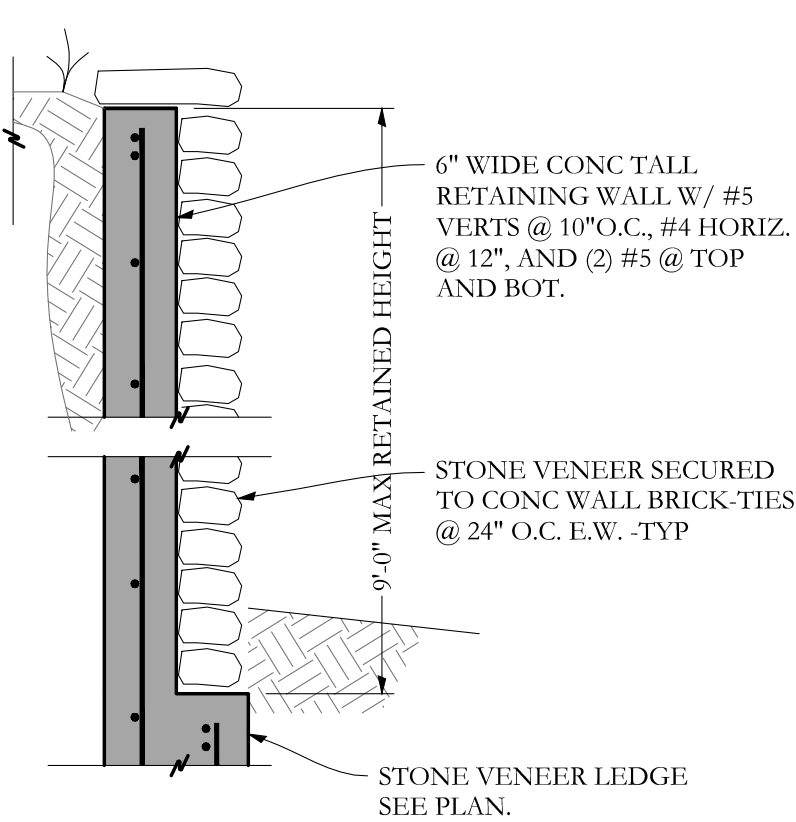
SECTION **L** S2.1 3/4"=1'-0



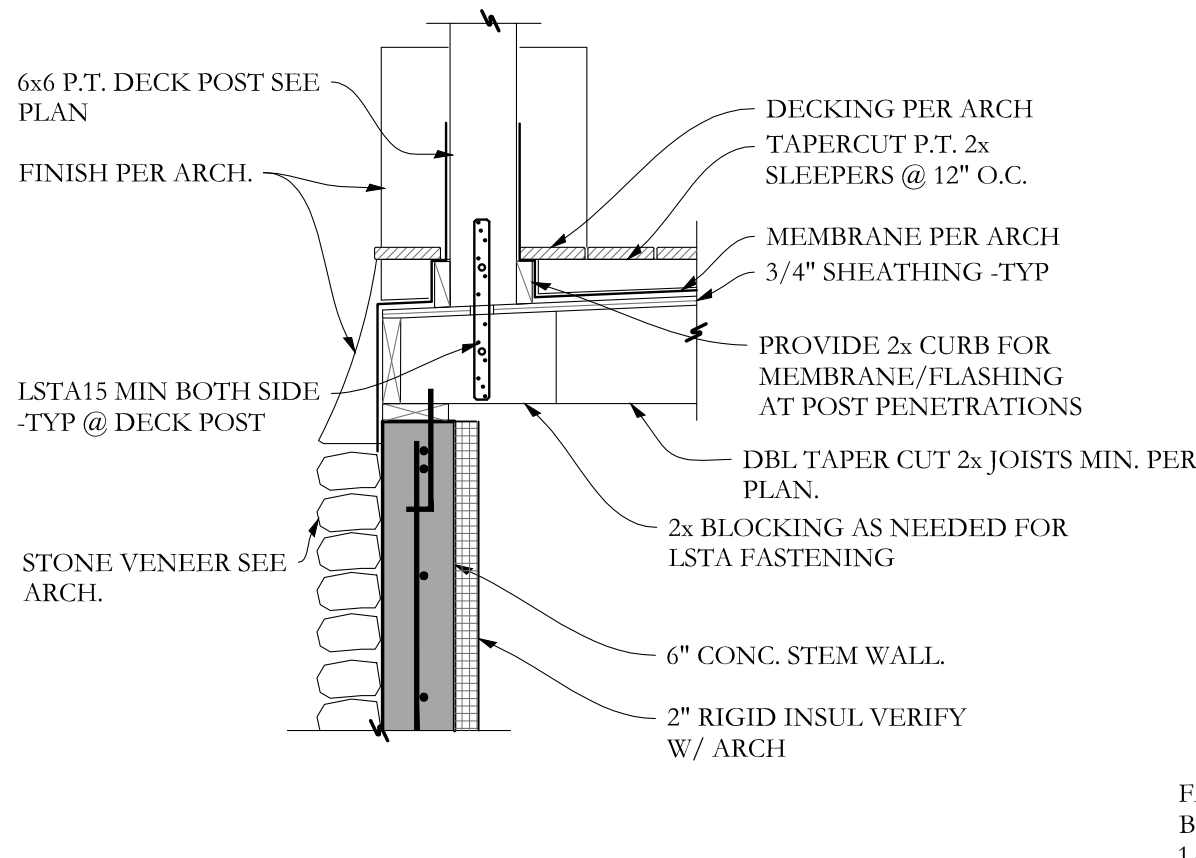
SECTION **M** S2.1 3/4"=1'-0



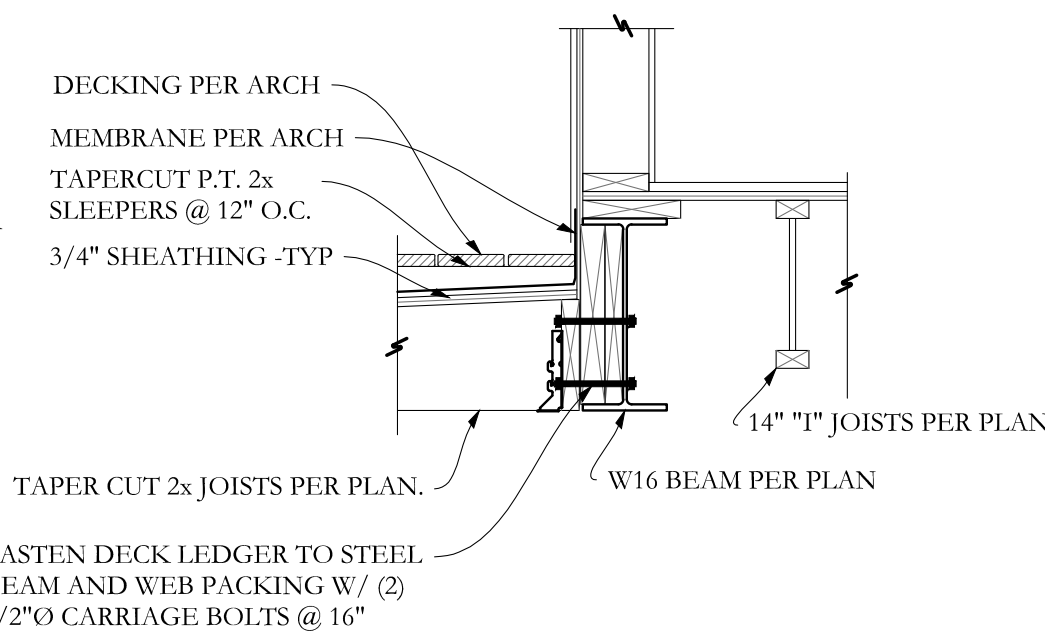
SECTION **E** S2.1 3/4"=1'-0



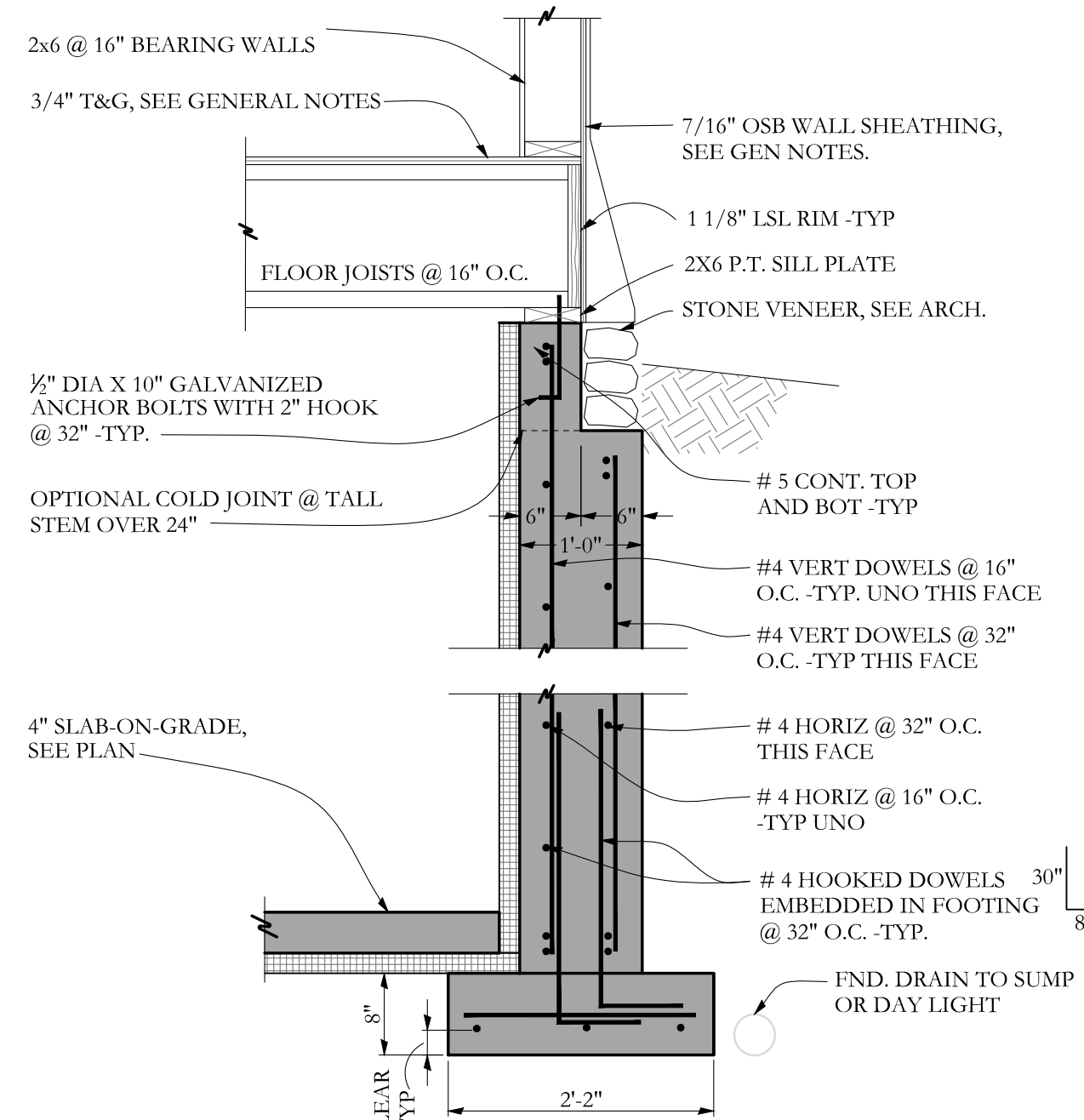
SECTION **F** S2.1 3/4"=1'-0



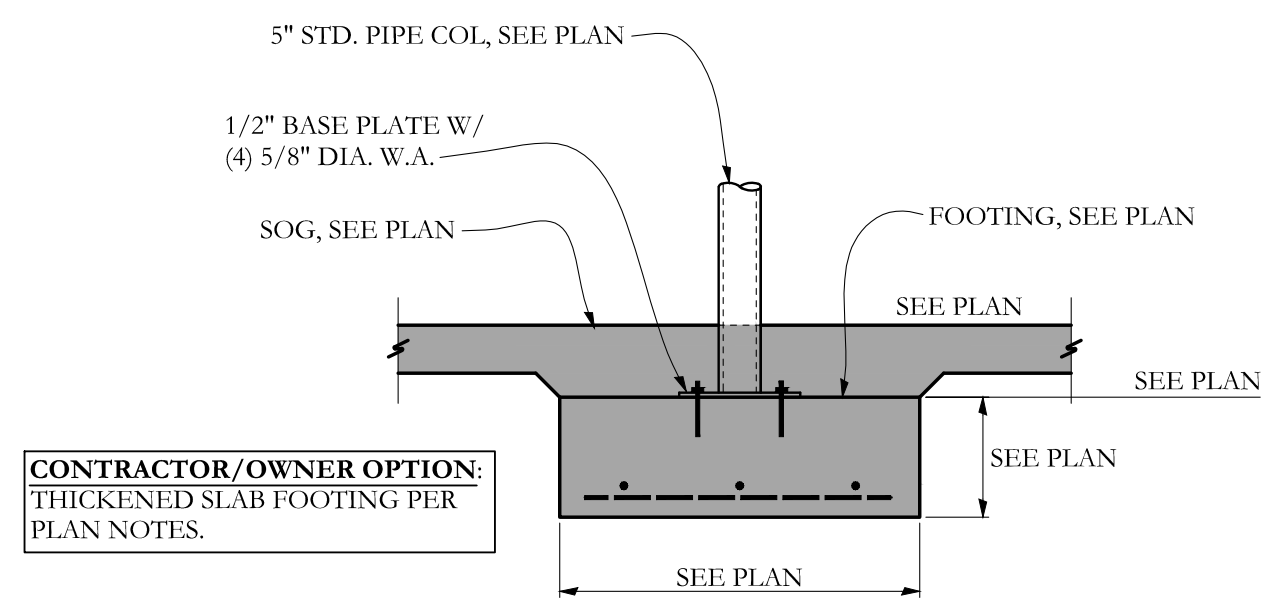
SECTION **G** S2.1 3/4"=1'-0



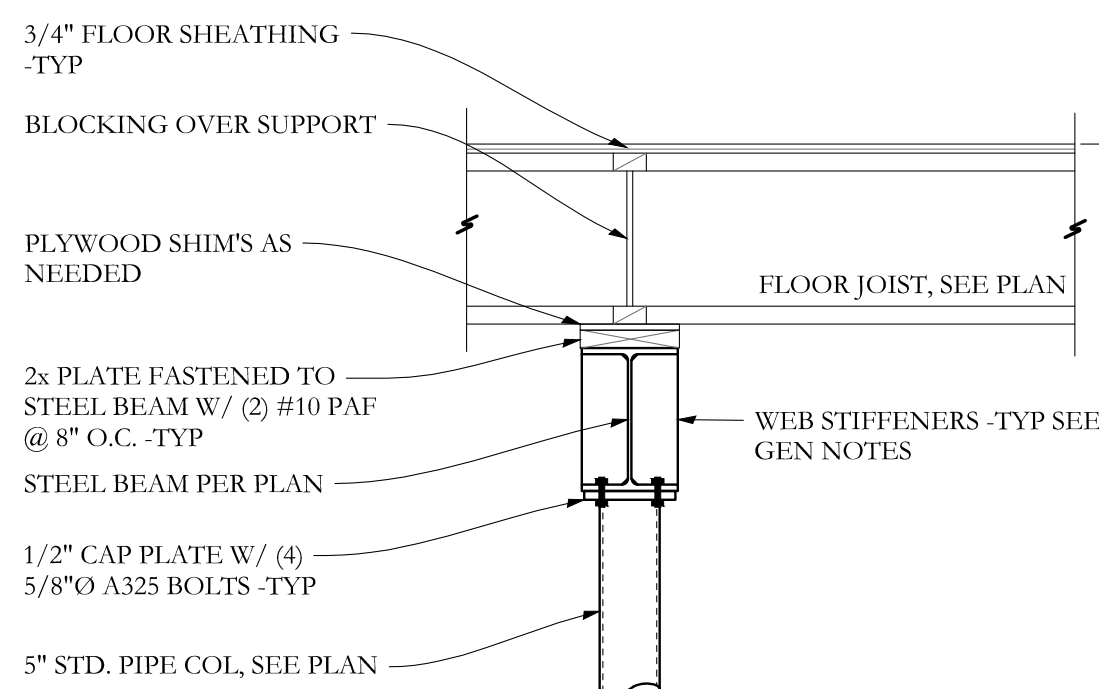
SECTION **H** S2.1 3/4"=1'-0



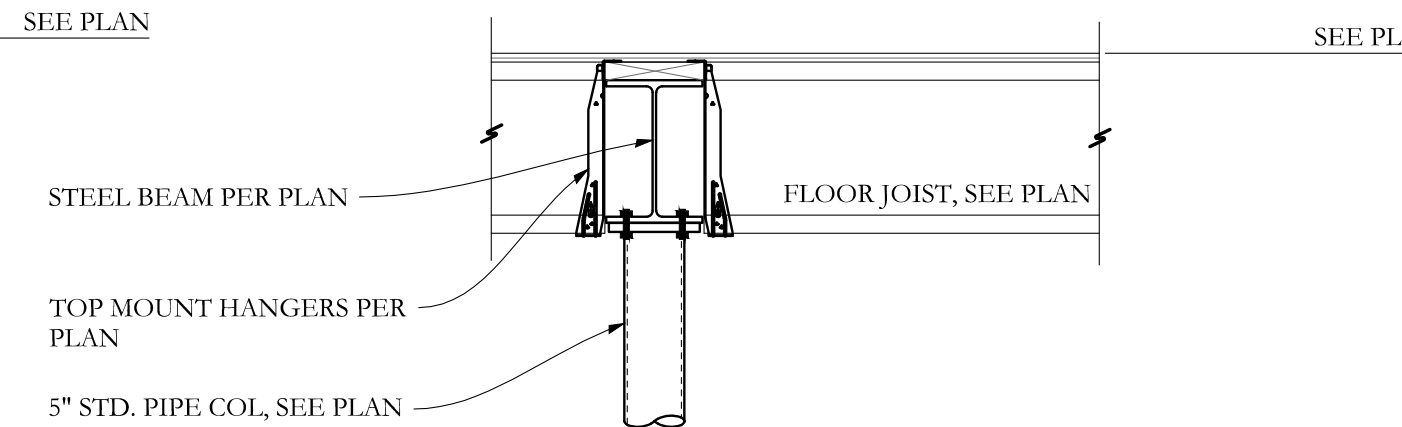
SECTION **A** S2.1 3/4"=1'-0



SECTION **B** S2.1 3/4"=1'-0



SECTION **C** S2.1 3/4"=1'-0



SECTION **D** S2.1 3/4"=1'-0

