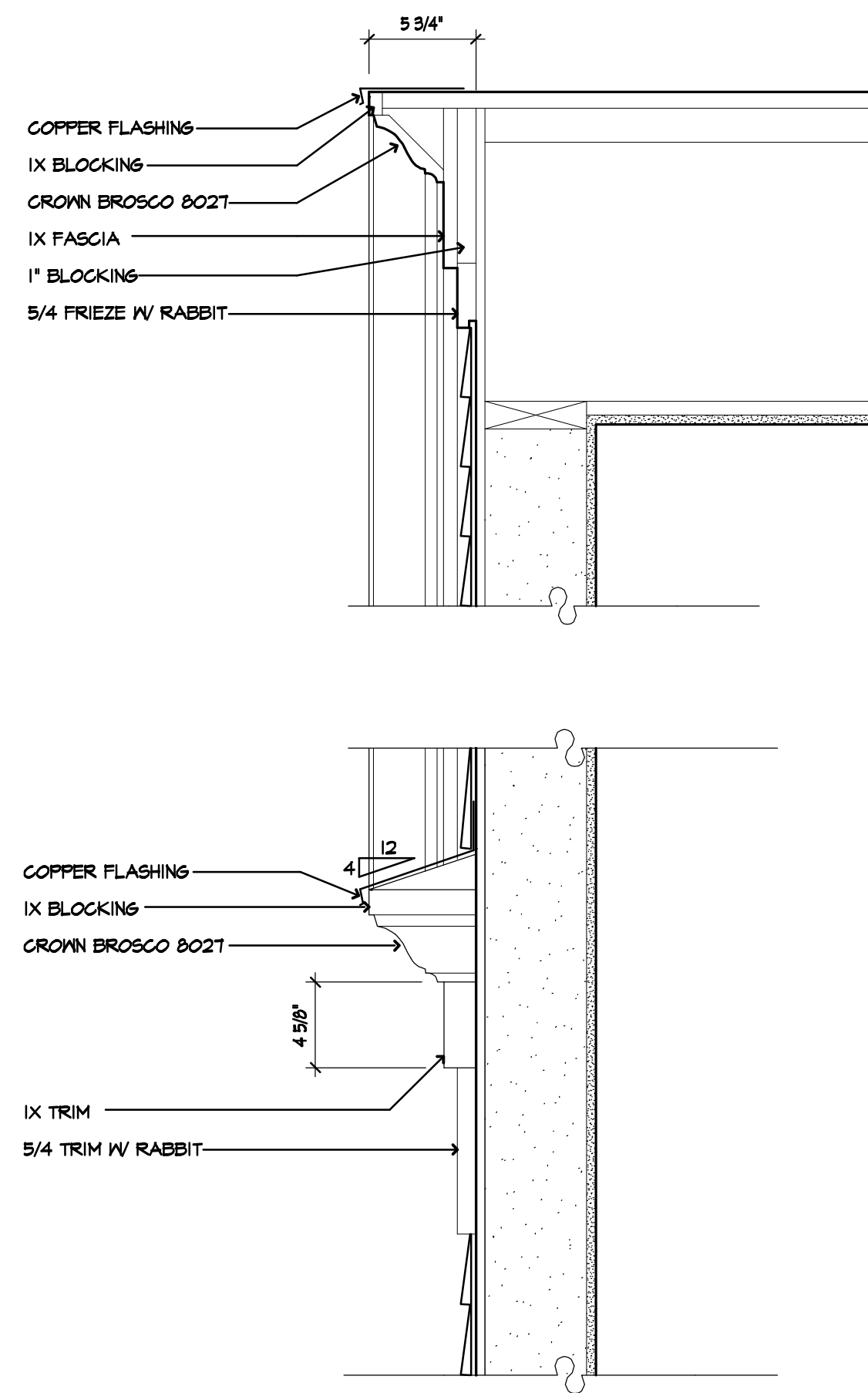
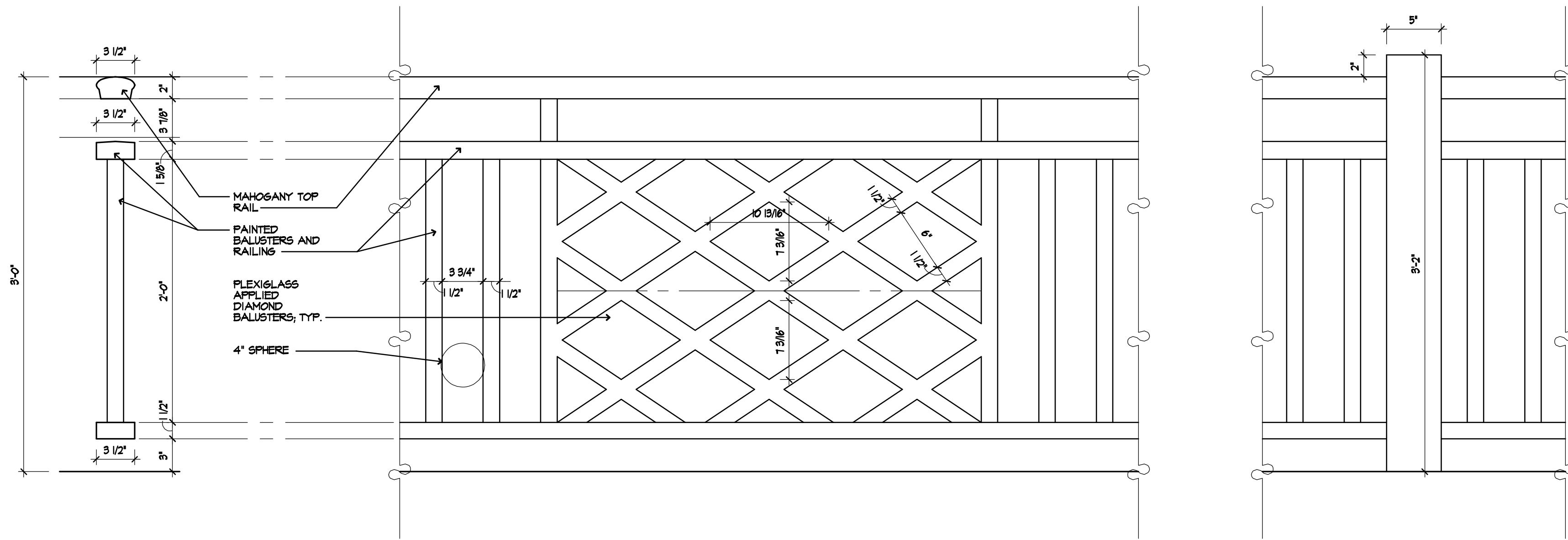


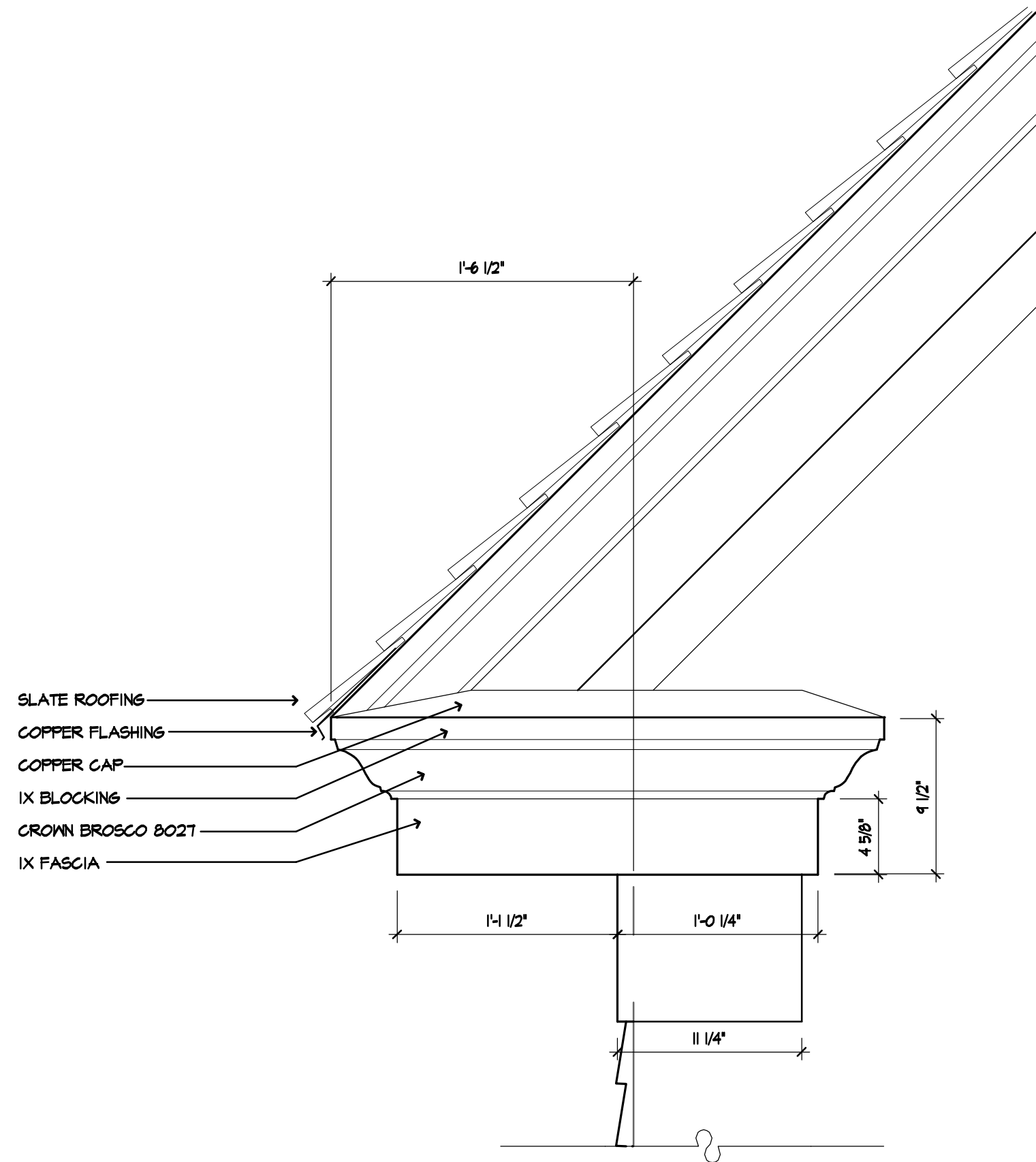
1 FLAIED WALL DETAIL TYP.  
A4.4 1 1/2" = 1'-0"



3 RAKE DETAIL TYP.  
A4.4 1 1/2" = 1'-0"



2 PORCH RAILING TYP.  
A4.4 1 1/2" = 1'-0"



4 RAKE RETURN DETAIL TYP.  
A4.4 1 1/2" = 1'-0"

GRAPHIC SCALE

CONTRACTOR SHALL MEASURE AND VERIFY ALL DIMENSIONS AT THE WORK.  
THIS DRAWING IS A PART OF A FULL SET OF DRAWINGS COMPRISING THE CONTRACT DOCUMENTS.  
FOR THE WORK OF THIS PROJECT, THE ARCHITECT/OWNER ACCEPTS NO RESPONSIBILITY FOR THE  
CONTRACTOR'S ERRORS OR OMISSIONS IF EACH TRADE DOES NOT HAVE THE FULL SET OF  
DRAWINGS AND SPECIFICATIONS.

COPYRIGHT 2014 ©  
THE MATERIAL CONTAINED IN THESE DRAWINGS AND THE DESIGN THEY ARE INTENDED TO CONVEY ARE THE  
EXCLUSIVE PROPERTY OF KEVIN BROWNE ARCHITECTURE LLC. POSSESSION AND USE HEREOF IS GRANTED ONLY  
CONFIDENTIALLY IN CONNECTION WITH CONSTRUCTION OF THE BUILDING DEPICTED HEREIN AS AUTHORIZED  
BY KEVIN BROWNE ARCHITECTURE LLC. THE RECIPIENT AGREES TO ABIDE BY THESE RESTRICTIONS. ANY USE,  
REPRODUCTION OR DISCLOSURE OF ANY INFORMATION IN WHOLE OR IN PART, CONTAINED HEREIN WITHOUT  
WRITTEN PERMISSION OF KEVIN BROWNE ARCHITECTURE LLC, IS EXPRESSLY PROHIBITED.

REVISIONS:  
4-15-14, ISSUE FOR PERMIT

CONSULTANTS:

**BEAULIEU RESIDENCE**  
ADDRESS:  
LOT #61  
GREAT DIAMOND ISLAND, ME  
CLIENT:  
RON & LORI BEAULIEU

**EXTERIOR DETAILS**  
DATE: 4/15/2014  
PROJECT NO.: 2013-14  
DRAWN: KVB  
SCALE: 1/12" = 1'-0"

**A4.4**