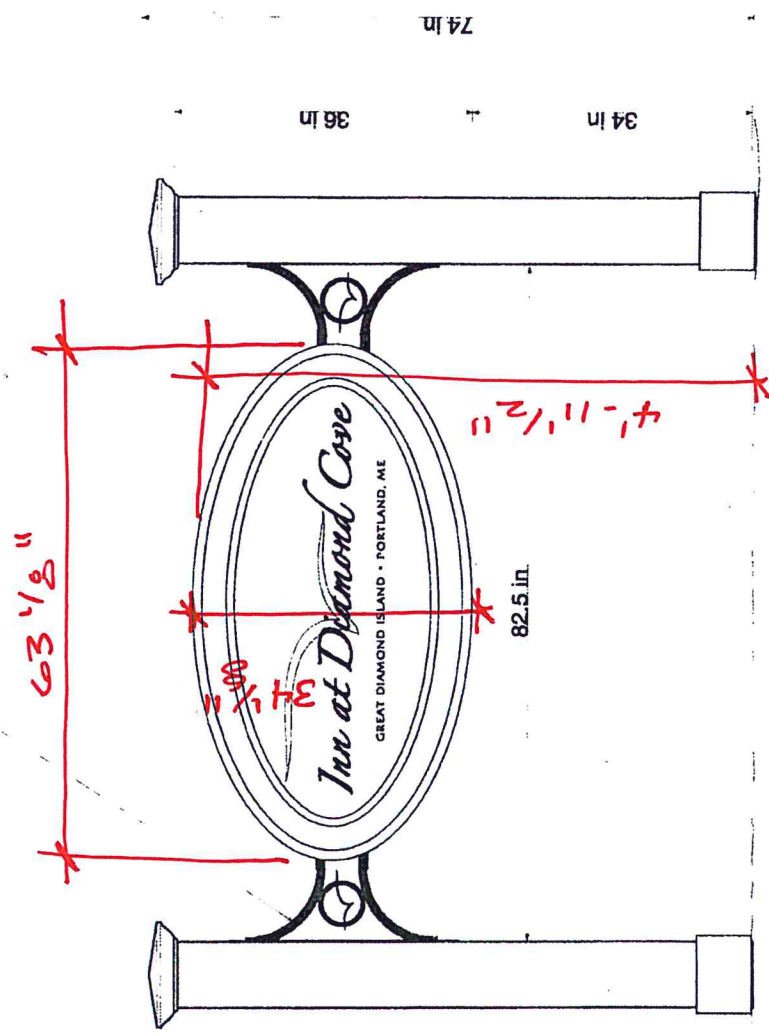


1" STEEL TUBING FRAME



LONOWOOD
ART COMPANY

www.lonowood.com

9/29/15

COPYRIGHT 2015

LONOWOOD ART COMPANY, INC • 13504 STATE RTE 31 WEST • ALBION, NY 14411 • 585-589-1394

MCKINLEY COURT

22 MCKINLEY C
(THE INN @ DIAM. COVE)

50'-0"

8'-10"

7'-6"

LOT LINE

SIGN

SKETCH PLAN

SCALE: 1" = 20'-0"

9/29/15

