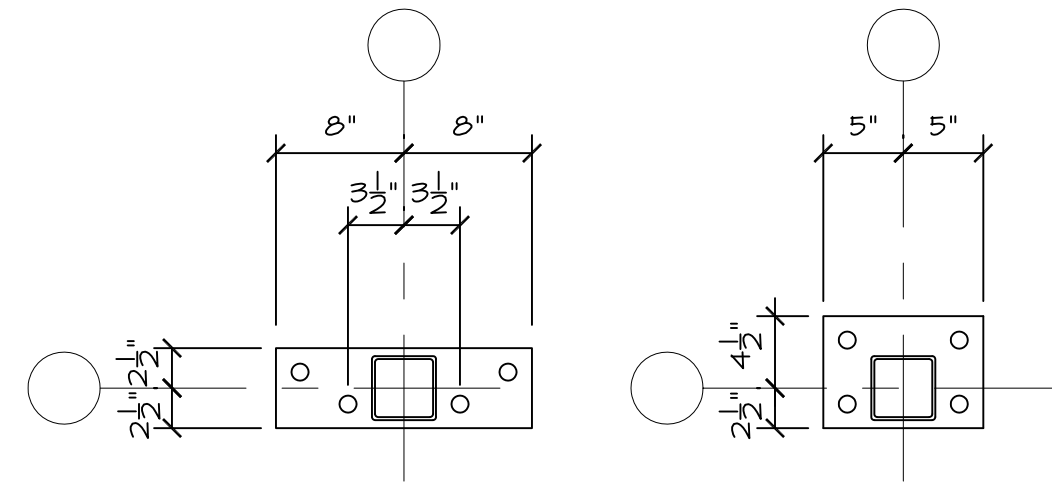


COLUMN SCHEDULE					
COLUMN MARK	SIZE	BOT. OF BASE PL ELEV.	BASE PL TYPE	TOP OF COLUMN ELEV.	COMMENTS
1-B 1-C 1-D	H554x4x3/16	101'-3"	A	113'-8"	
2-A 3-A					
4-B 4-C 4-D					
1-E 2-E	H554x4x3/16	100'-1"	B	113'-8"	
3-E 4-E					
2-B 2-D					W12x30
3-B 3-D	W8x24			113'-8"	EXIST. COLUMN

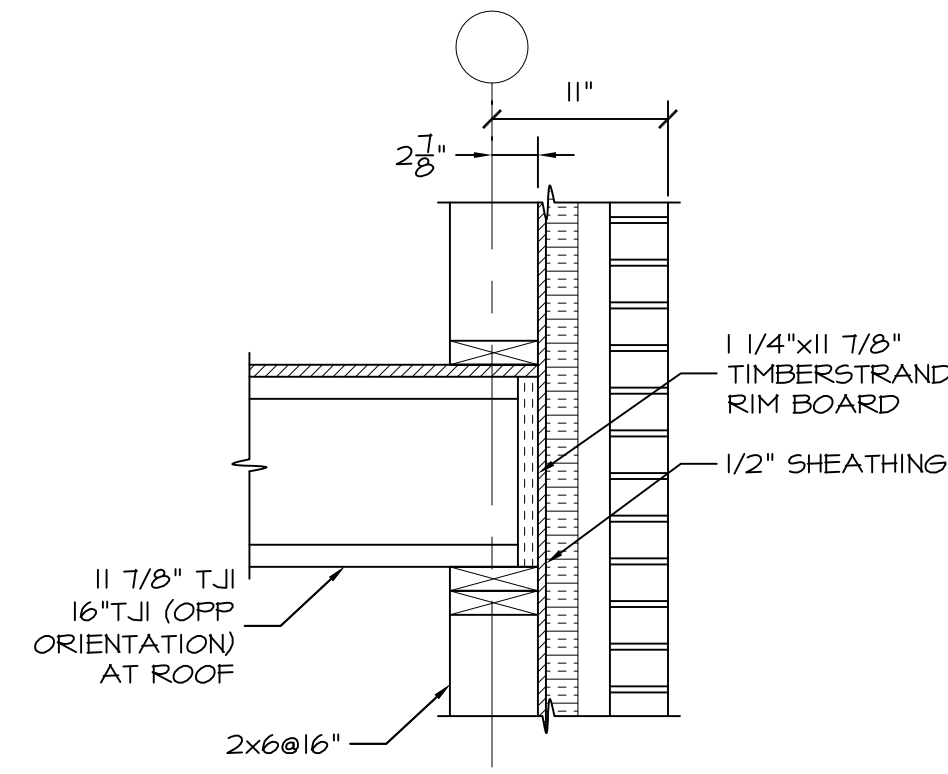


TYPE A
THICKNESS = 5/8"

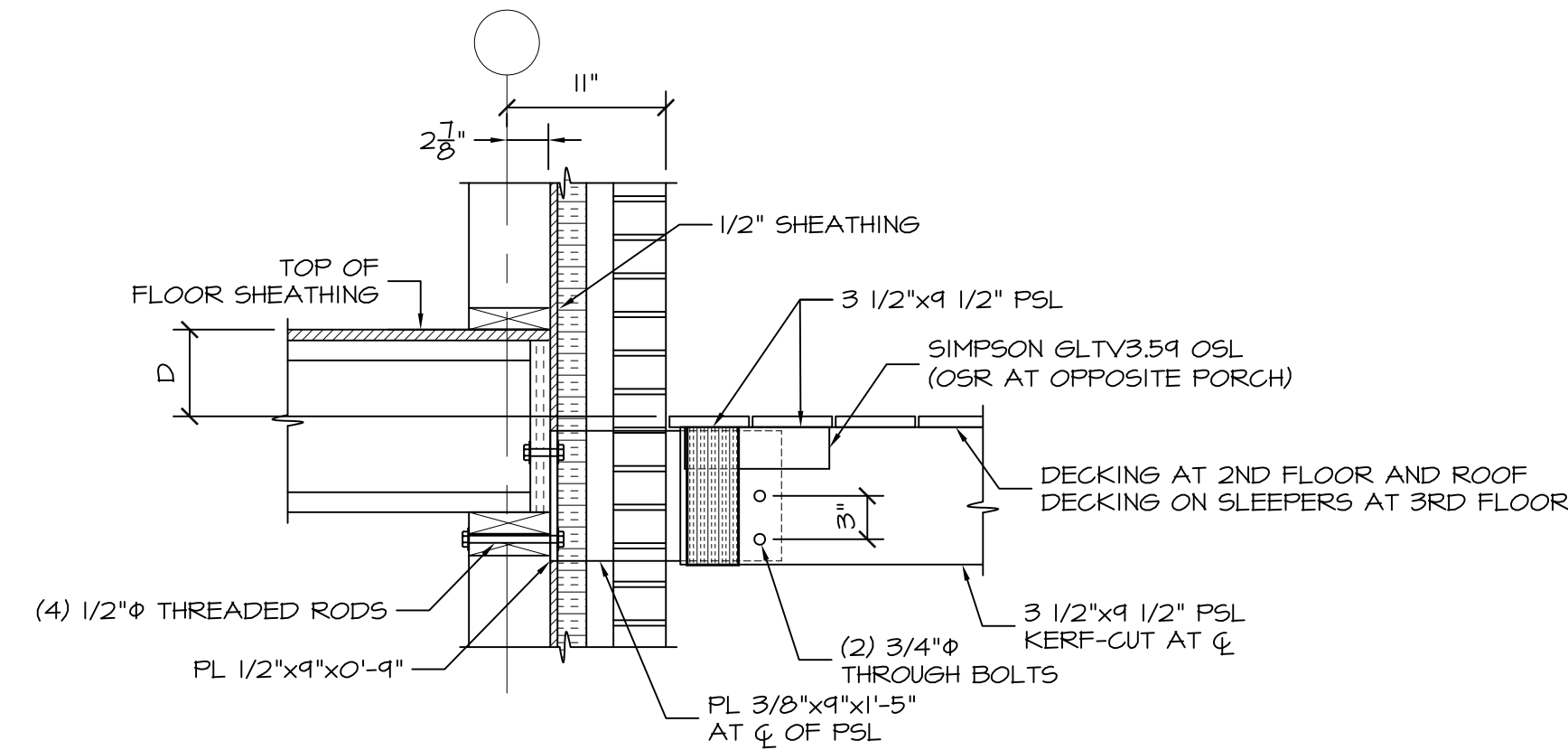
TYPE B
THICKNESS = 5/8"

BASE PLATE DETAILS
1"=1'-0"

HOLE DIAMETER = 1 1/16"
HOLE EDGE DISTANCE = 1 1/2"
REUSE EXISTING ANCHOR RODS FIELD VERIFY DIMENSIONS

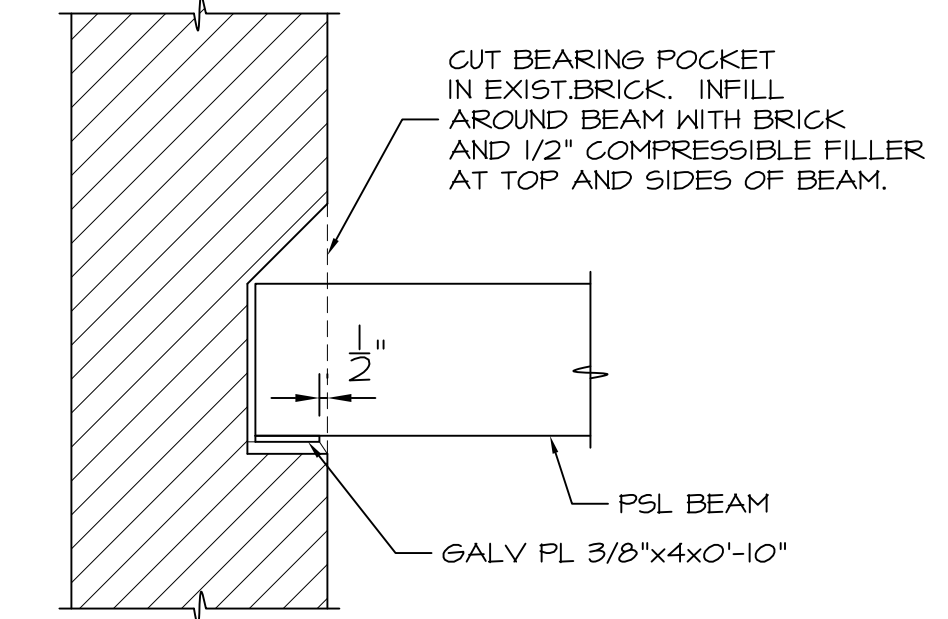


SECTION 1
1"=1'-0" 52.0
53.0
54.0



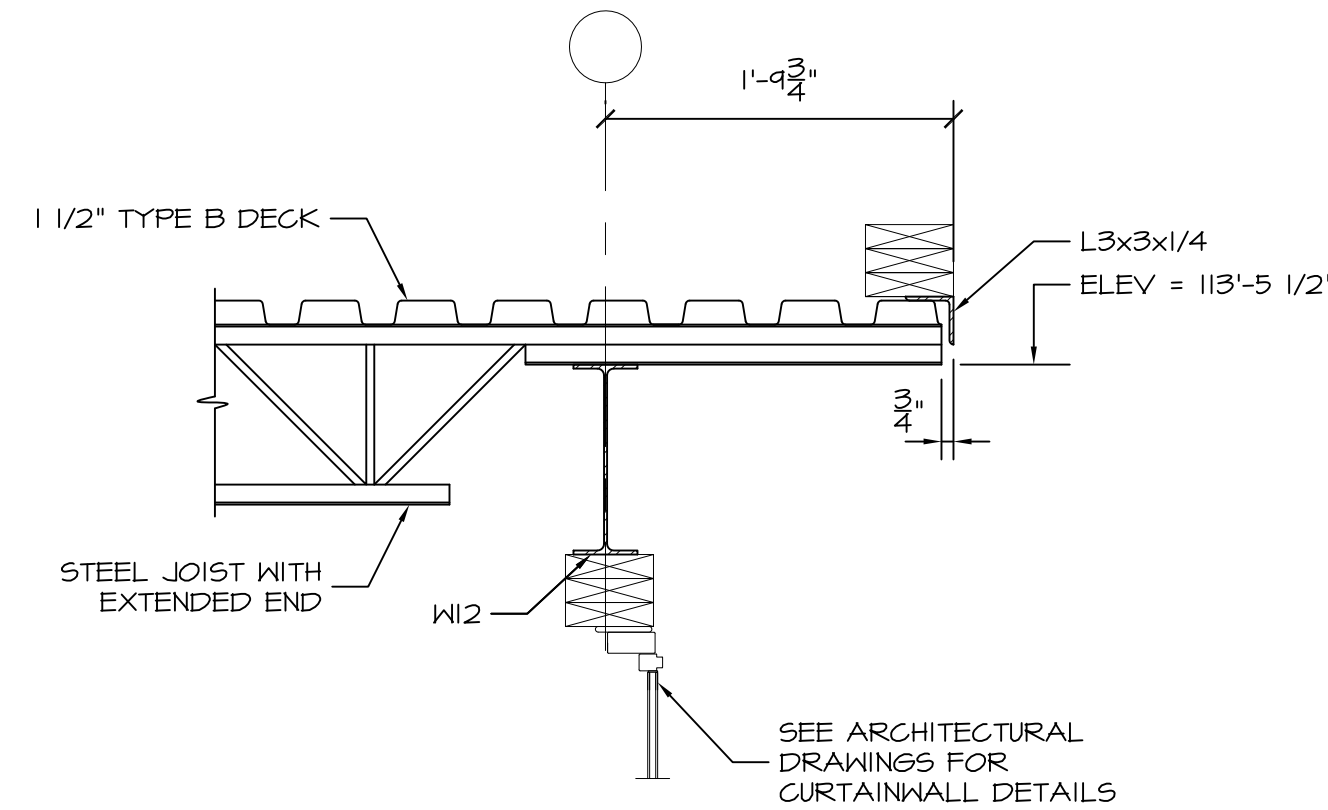
SECTION 2
1"=1'-0" 52.0
53.0
54.0

SEE SECTION 1 FOR FRAMING.
INSTALL 4x10 SOLID BLOCKING
BEHIND 4x4 PLATE WHERE IT ISN'T
BACKED UP WITH RIM OR WALL PLATES.
D=6" AT 1ST FLOOR
D=9" AT 2ND FLOOR
D=1'-8" AT ROOF

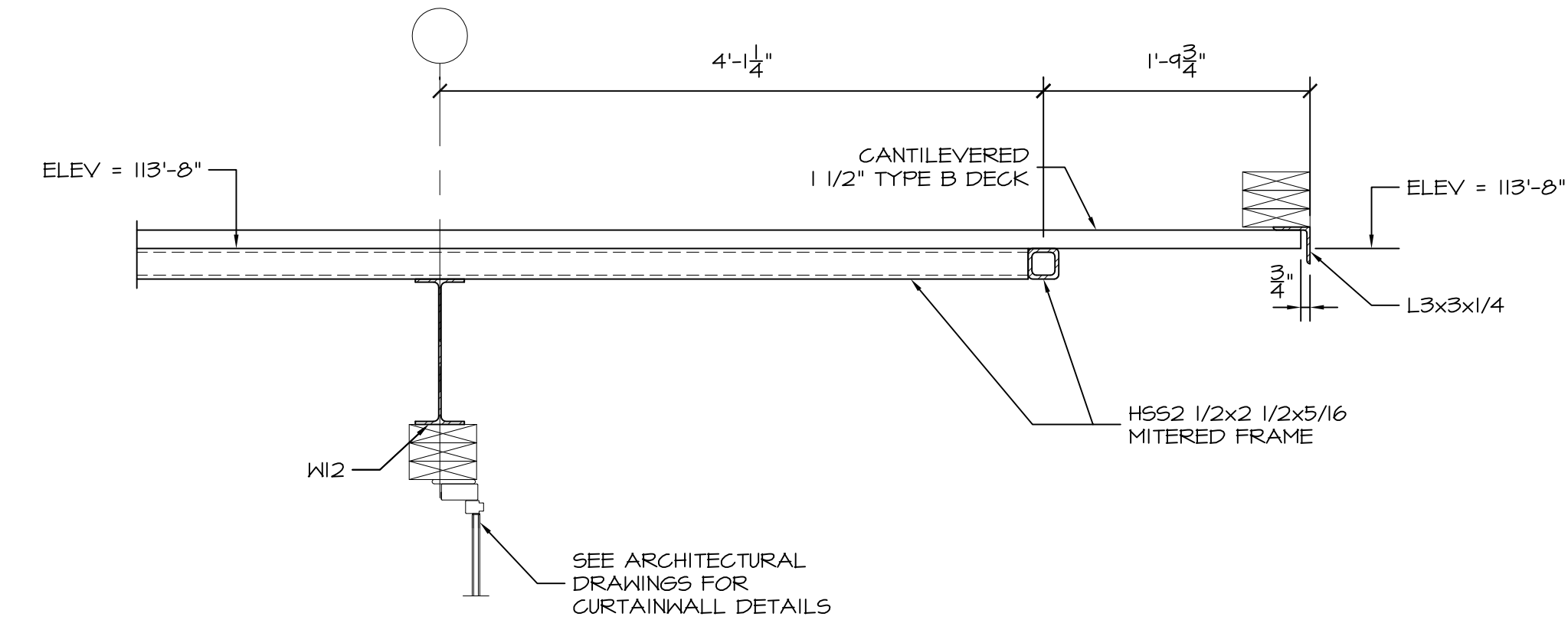


SECTION 3
1"=1'-0" 52.0
53.0
54.0

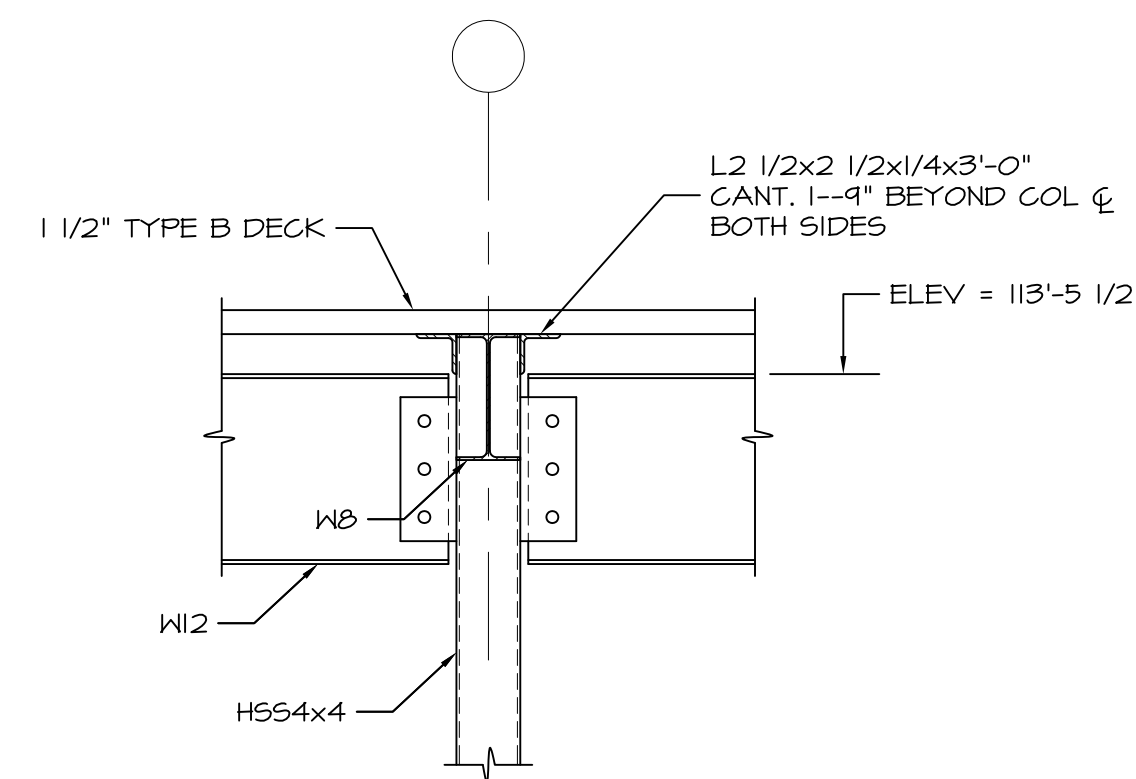
TYPICAL AT ALL NEW BEAMS
BEARING ON EXISTING BRICK WALLS



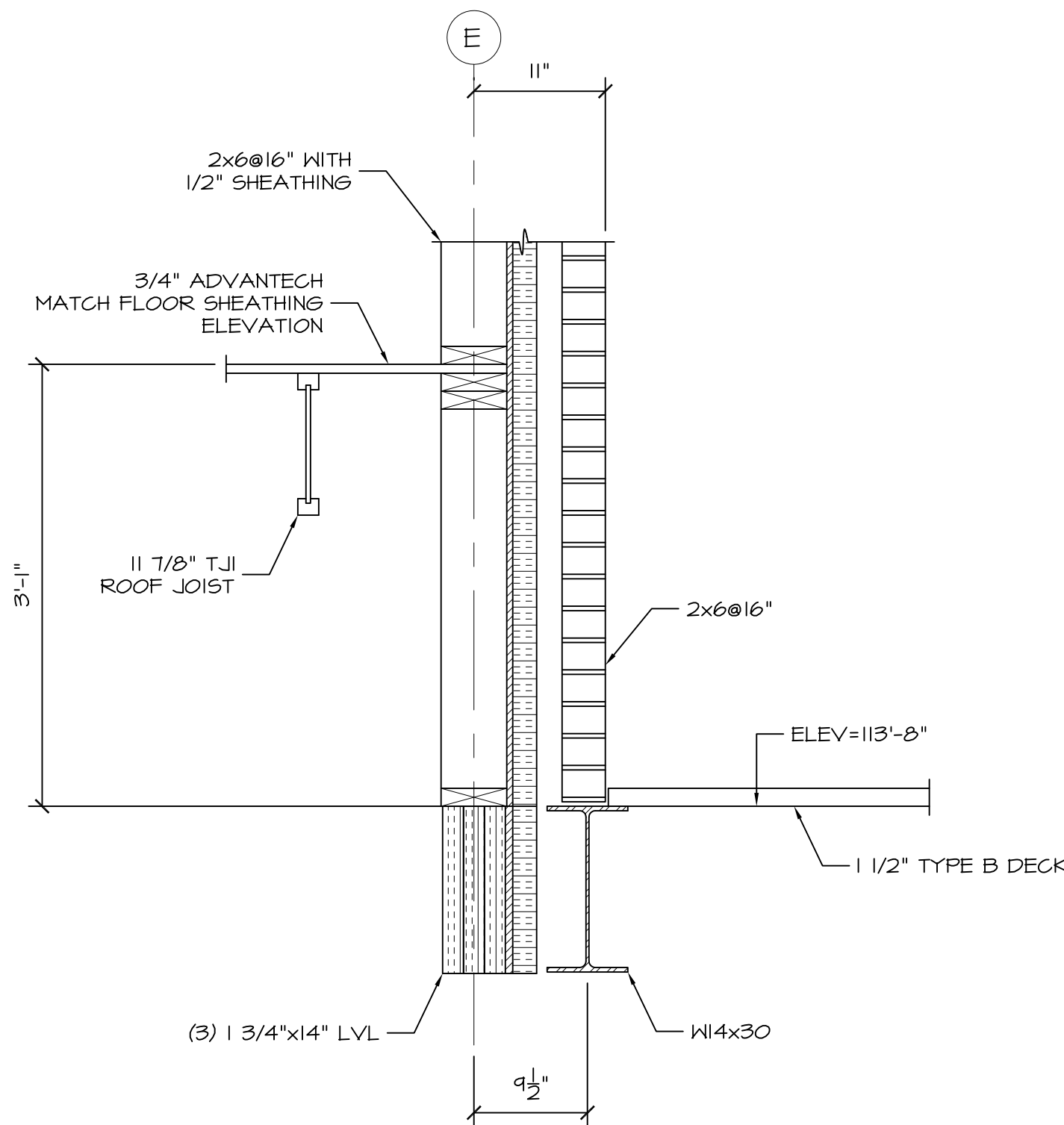
SECTION 4
1"=1'-0" 53.0



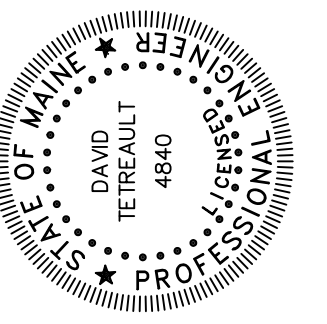
SECTION 5
1"=1'-0" 53.0



SECTION 6
1"=1'-0" 53.0



SECTION 8
1"=1'-0" 53.0



Prepared For:
The Inn at Diamond Cove, LLC.
PO BOX 3572
PORTLAND, ME 04101

Structural Engineer:
STRUCTURAL DESIGN CONSULTING
22 Oakmont Drive
Old Orchard Beach ME 04064-1121
Tel: 207-934-8038
Fax: 207-934-8039

Architect:
ARCHITECTYPE architects
48 Union Wharf Portland, Maine 04101
(207) 772-6022 Fax (207) 772-4056

Project:
THE INN AT DIAMOND COVE, LLC
McKinley Court
Great Diamond Island, Maine

Revisions:
Issued for Construction 02/03/14

Date: 03 Feb 2014
Scale: As Noted
COLUMN SCHEDULE AND FRAMING SECTIONS

S7.0