

Prepared For:
The Inn at Diamond Cove, LLC.
 PO BOX 3572
 PORTLAND, ME 04101

Structural Engineer:
STRUCTURAL DESIGN CONSULTING
 22 Oakmont Drive
 Old Orchard Beach, ME 04064-4121
 Tel: 207.854.8038
 Fax: 207.854.8039

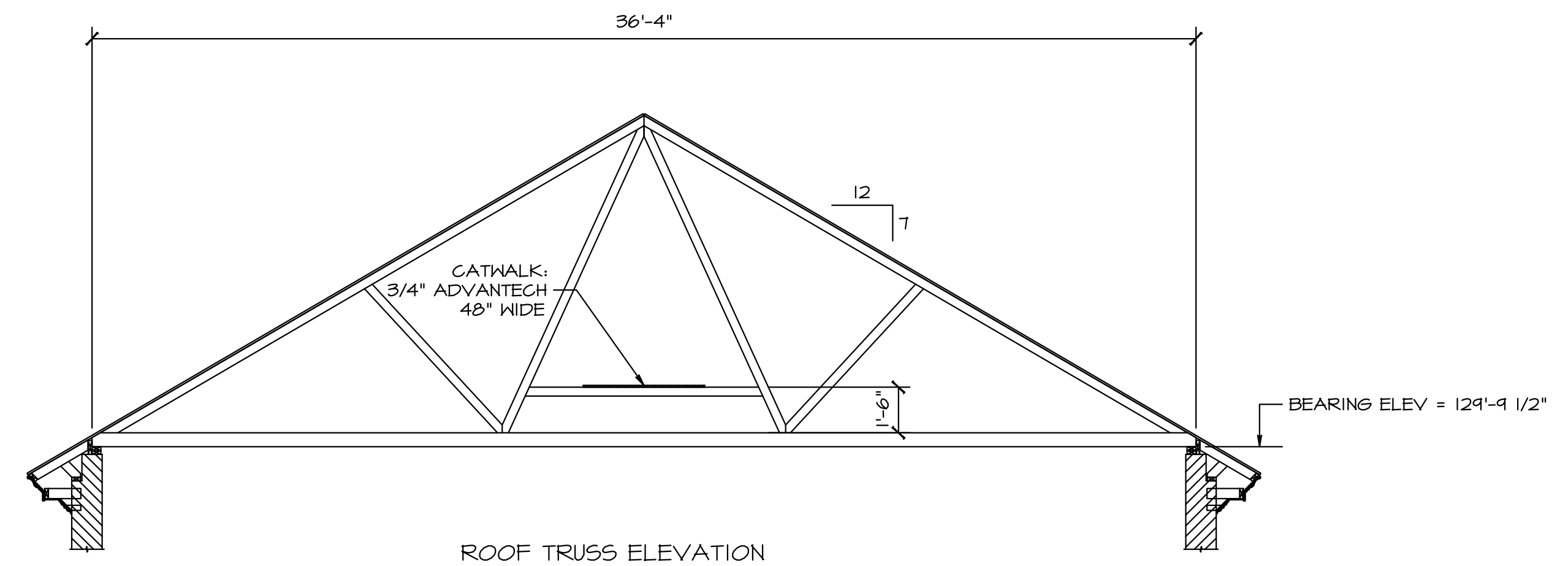
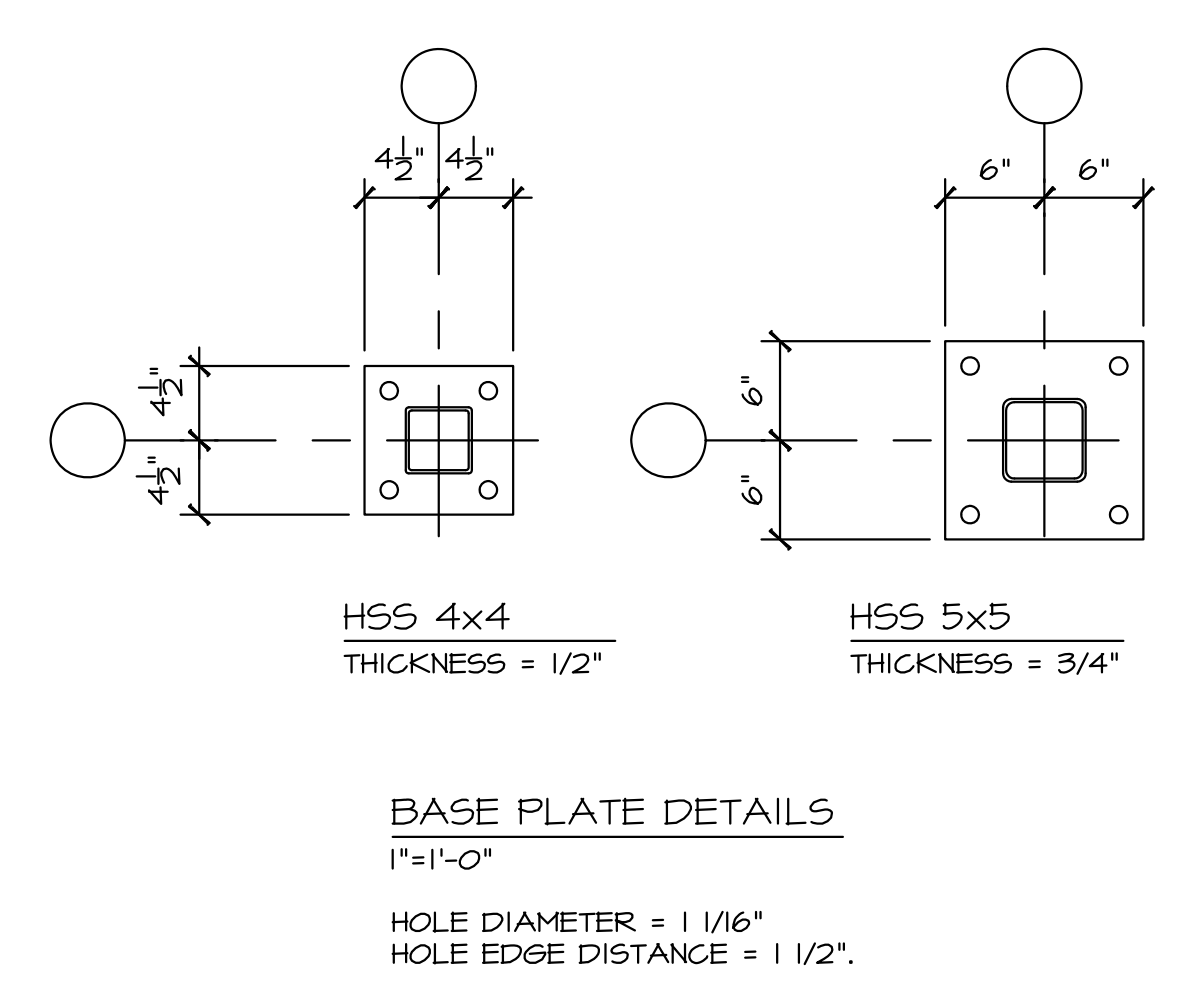
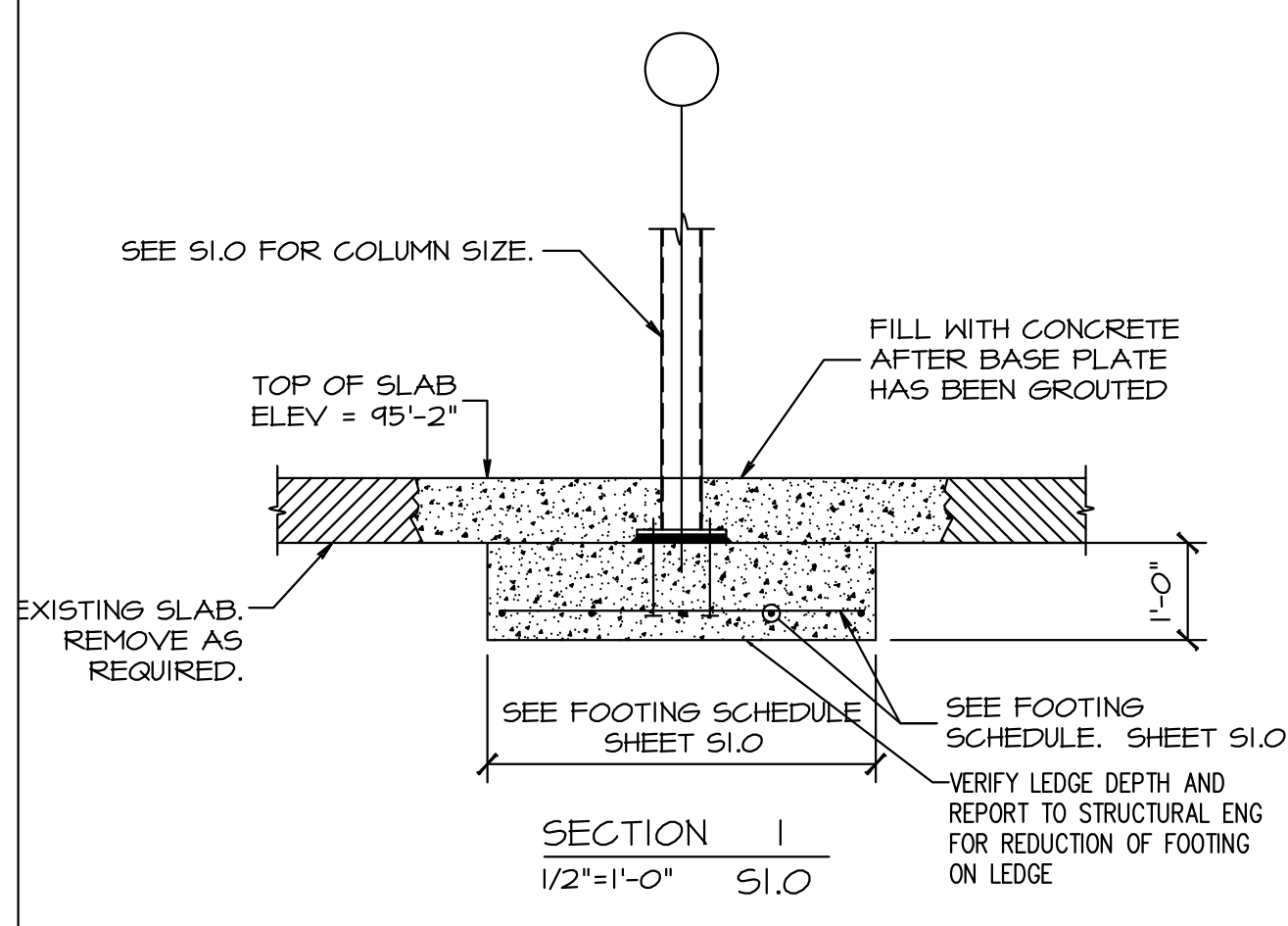
Architect:
ARCHETYPE architects
 48 Union Wharf Portland, Maine 04101
 (207) 775-6022 Fax (207) 772-4056

Project:
**PRESERVATION PHASE
 THE INN AT
 DIAMOND COVE**
 McKINLEY COURT
 GREAT DIAMOND ISLAND, MAINE

Revisions:
 Issued for Construction 02/03/14

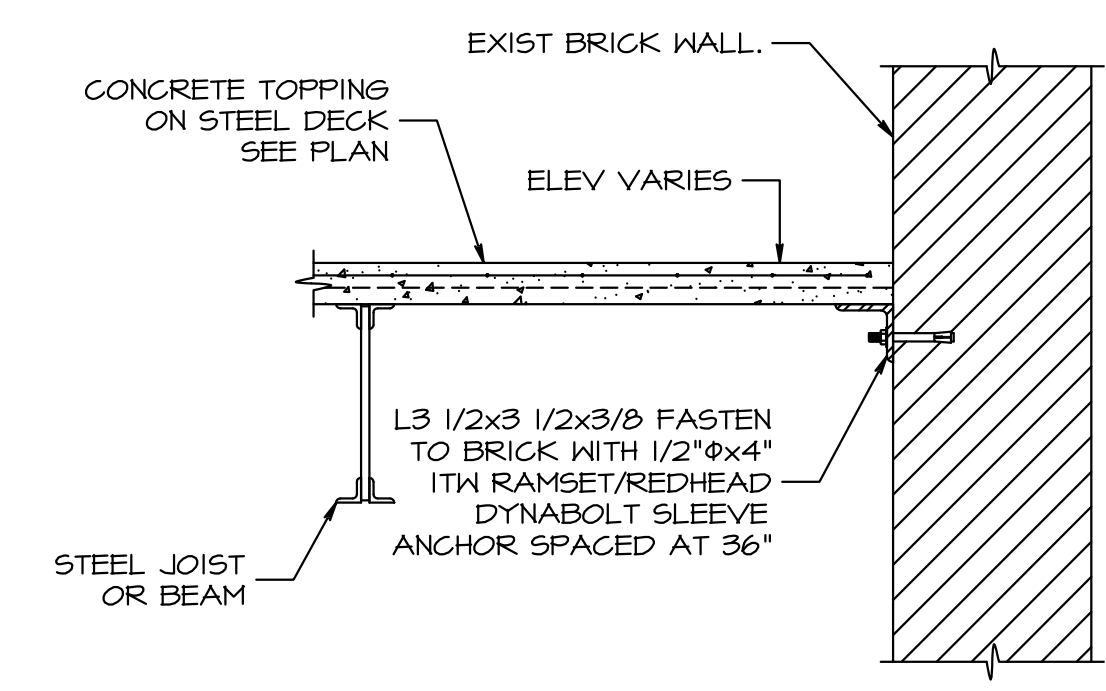
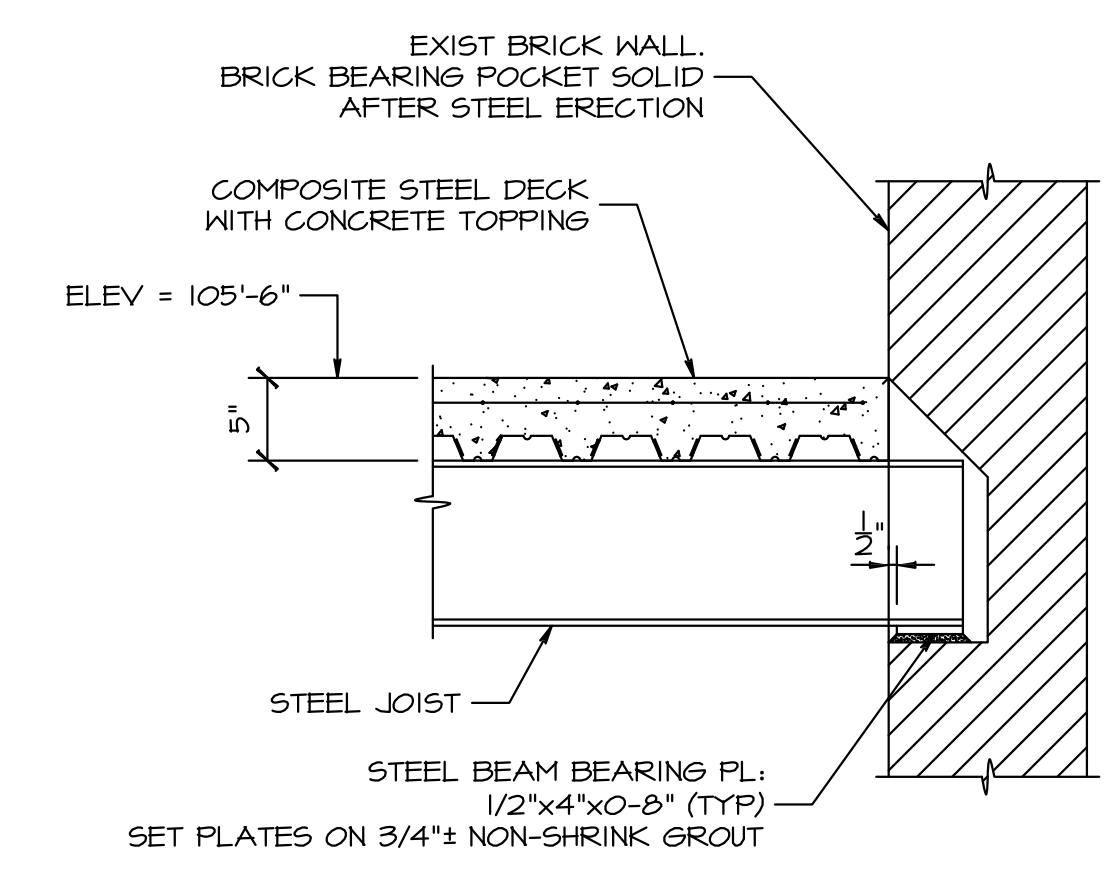
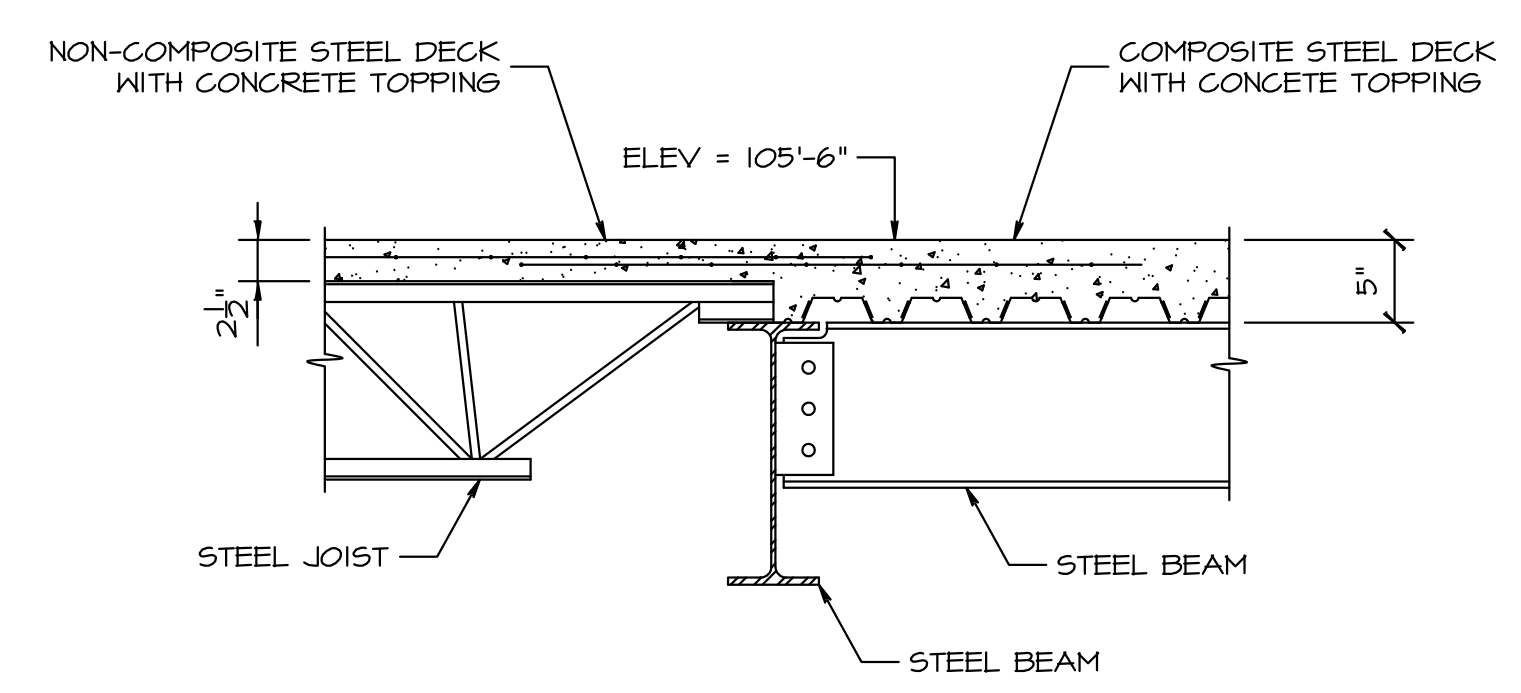
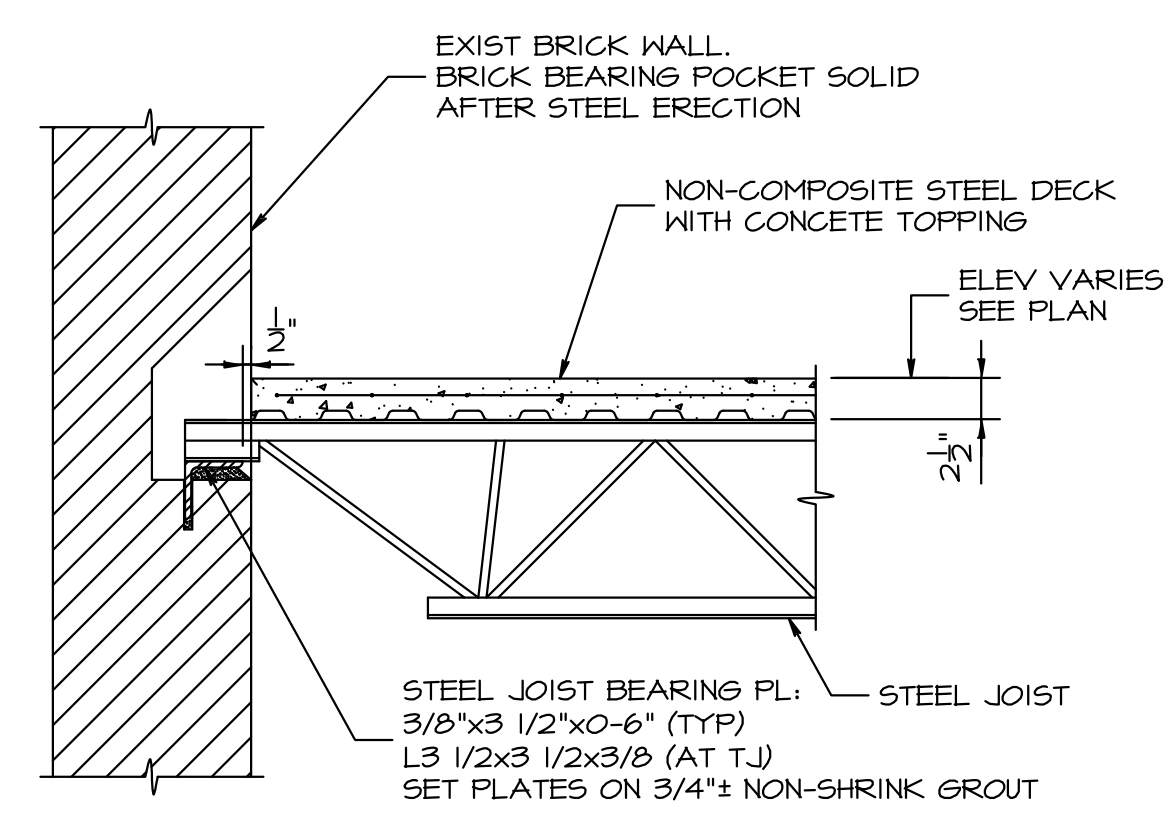
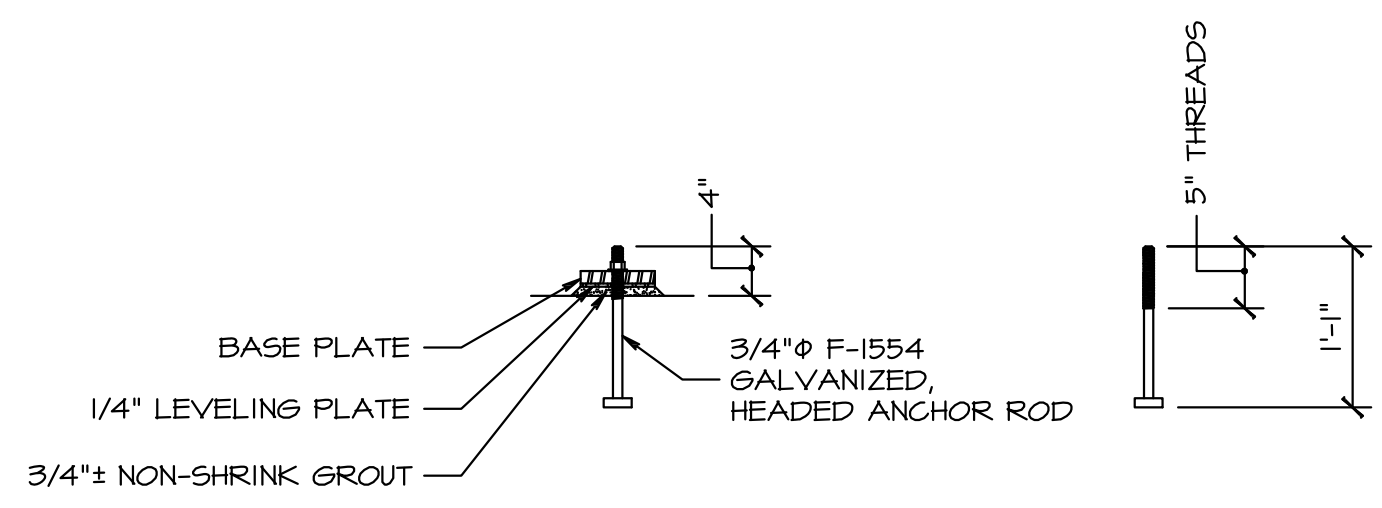
Date: 03 Feb 2014
 Scale: 1/8" = 1'-0"
STRUCTURAL SECTIONS AND DETAILS

S6.0



LOADING CRITERIA

TOP CHORD	
DEAD LOAD	21 PSF
BALANCED SNOW LOAD	42 PSF
UNBALANCED SNOW LOAD	50 PSF
BOTTOM CHORD	
DEAD LOAD	10 PSF
CATWALK LIVE LOAD	20 PSF



TYPICAL AT ALL BRICK WALLS PARALLEL TO FRAMING MEMBERS

