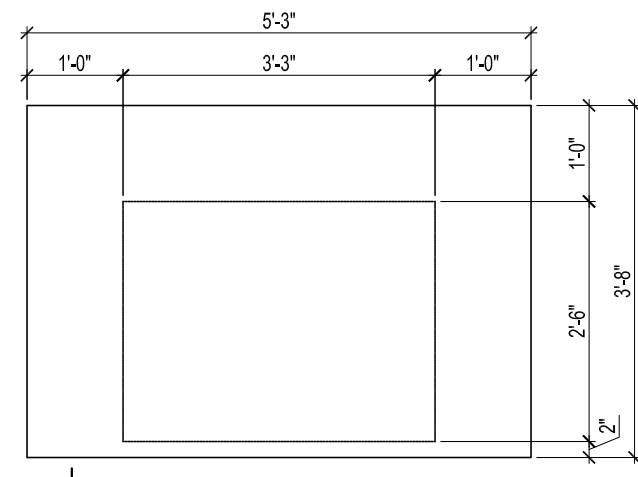
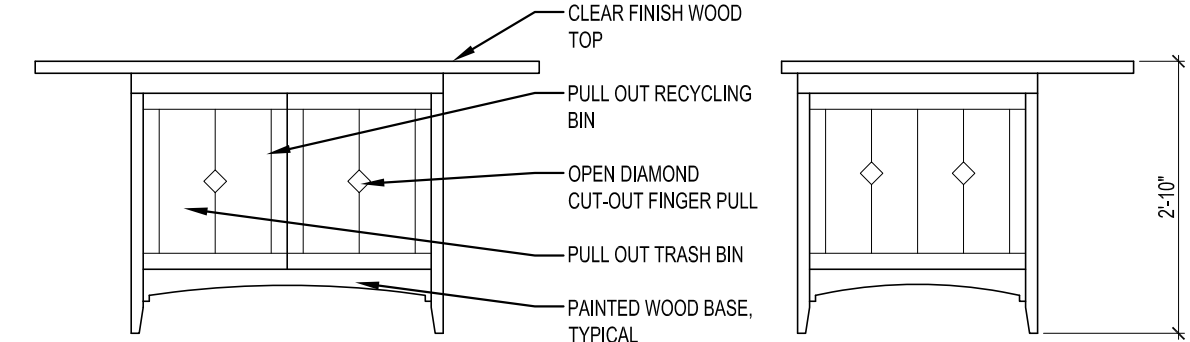


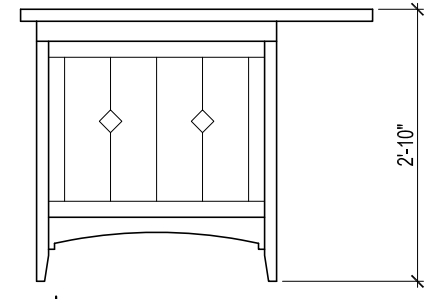
T7A BAR PROGRAM:  
 1 RECYCLING BIN  
 1 TRASH BIN



PLAN T7A  
 1/2"=1'-0"

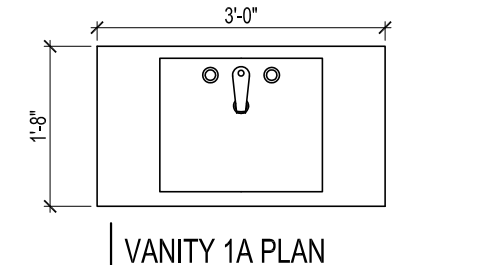


FRONT ELEVATION T7A  
 1/2"=1'-0"

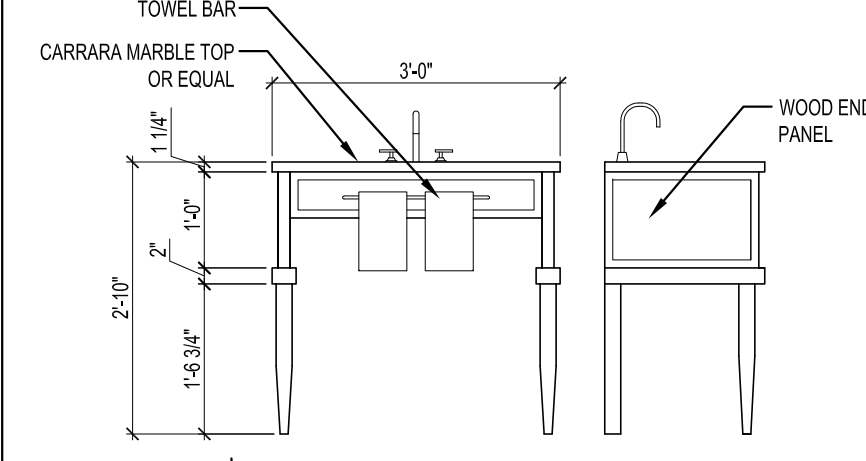


SIDE ELEVATION T7A  
 1/2"=1'-0"

V1A

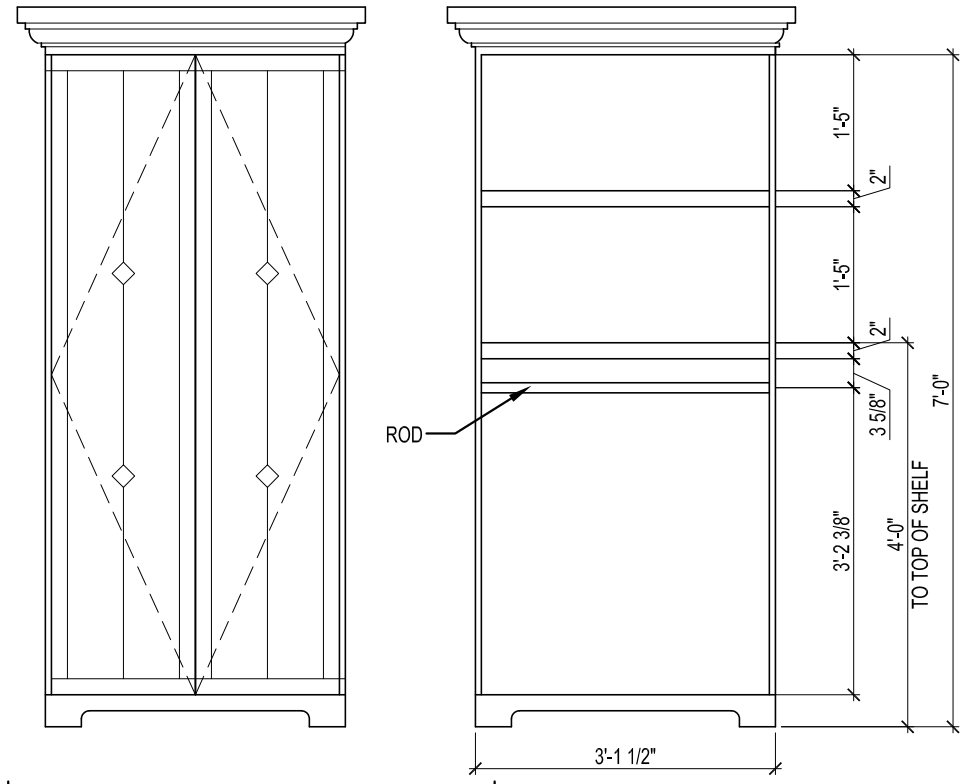


VANITY 1A PLAN  
 1/2"=1'-0"



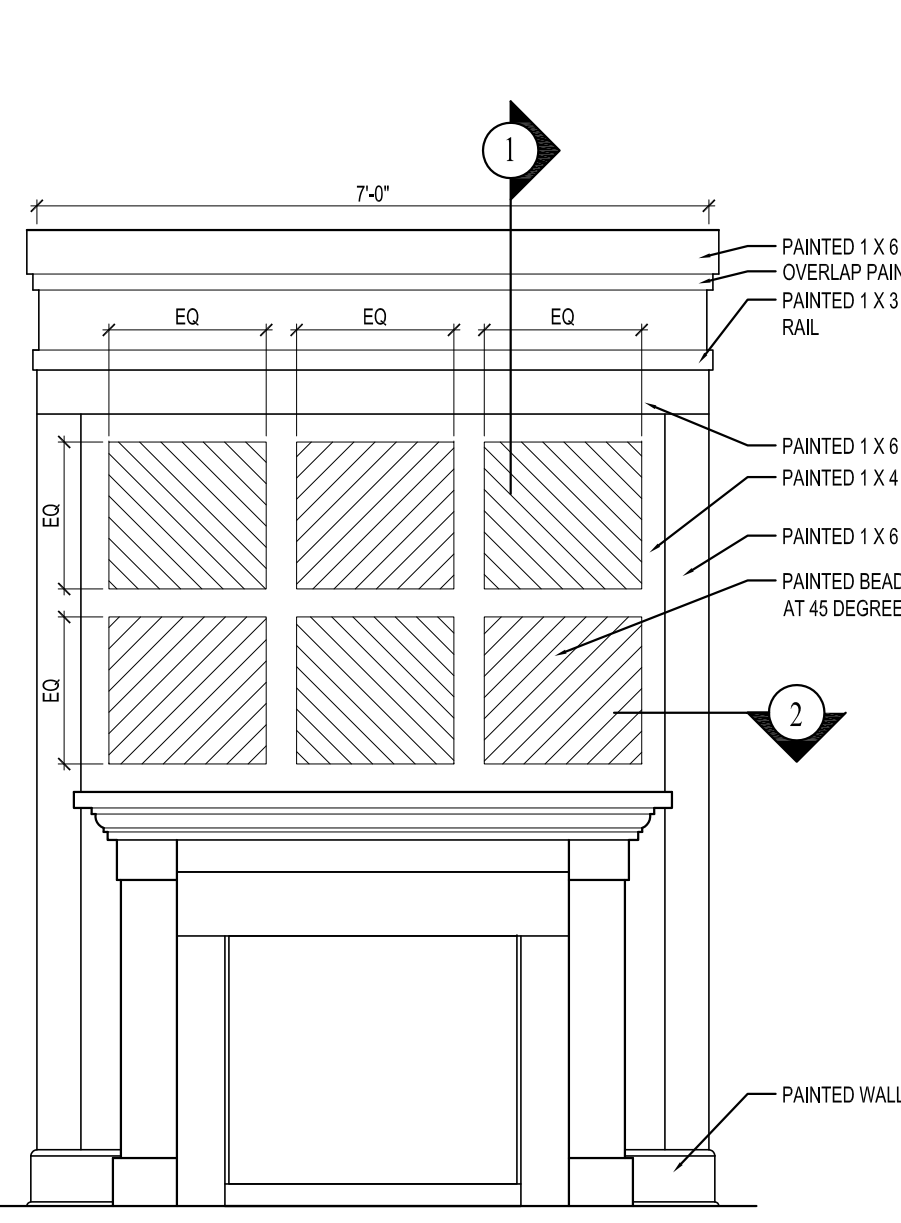
FRONT VANITY 1A  
 1/2"=1'-0"

AR2A

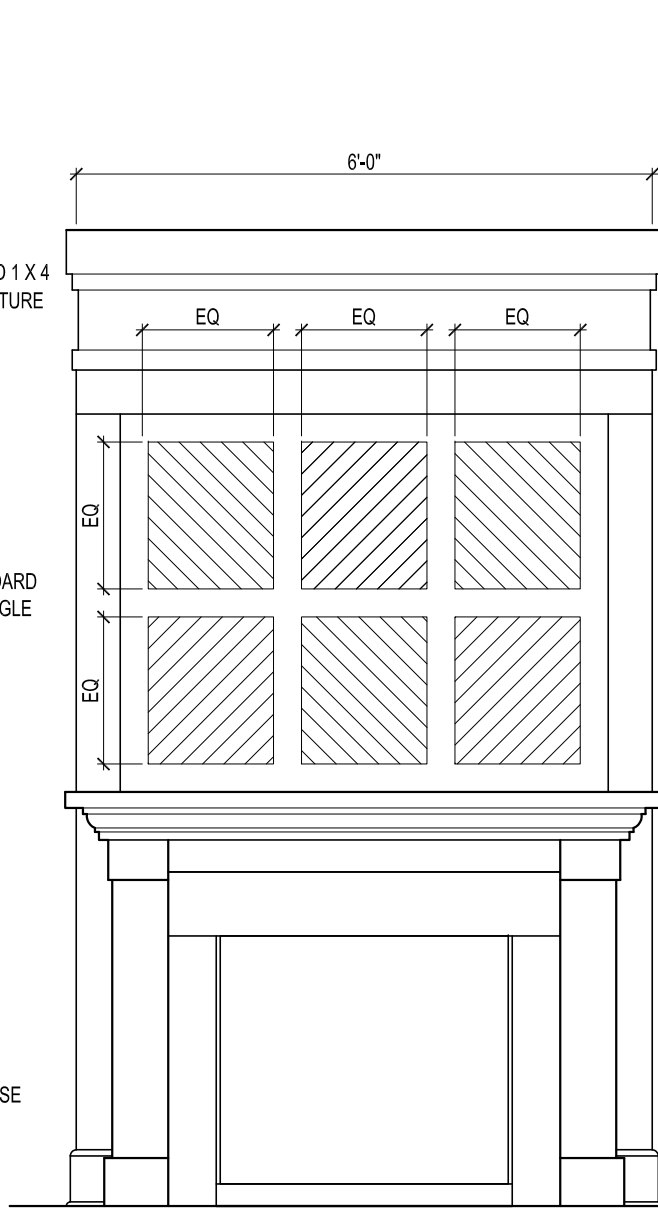


FRONT ELEVATION  
 1/2"=1'-0"

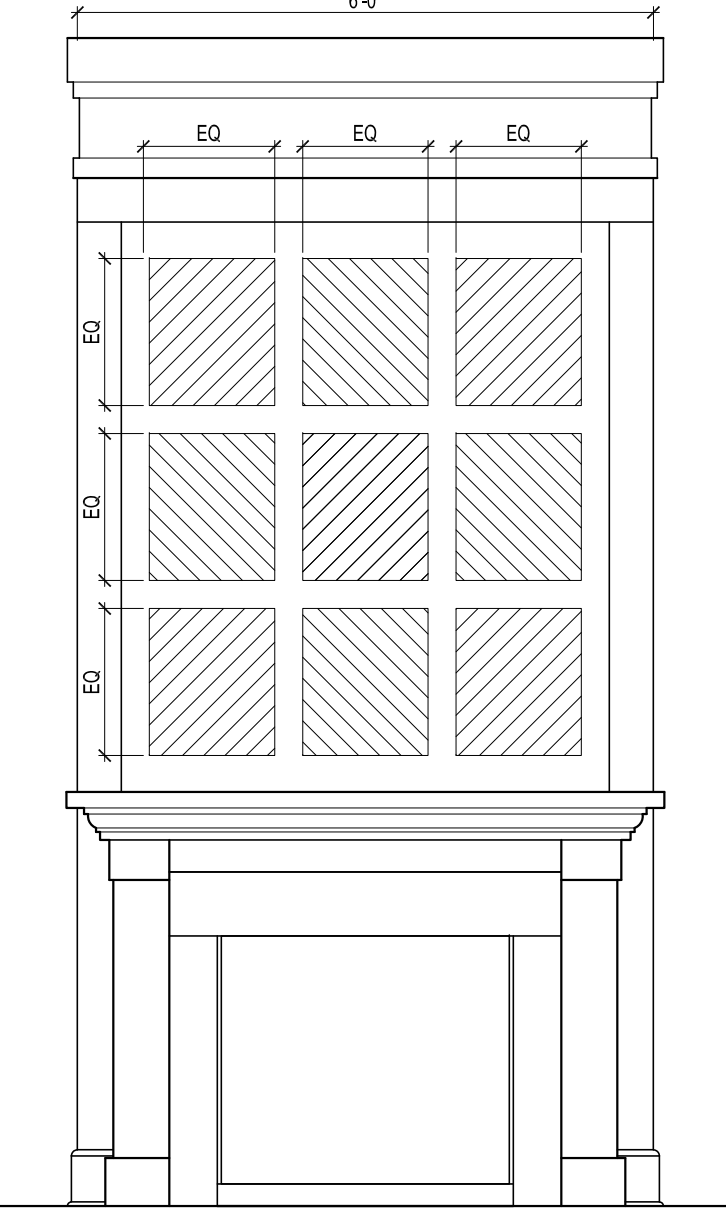
FRONT ELEVATION WITHOUT DOORS  
 1/2"=1'-0"



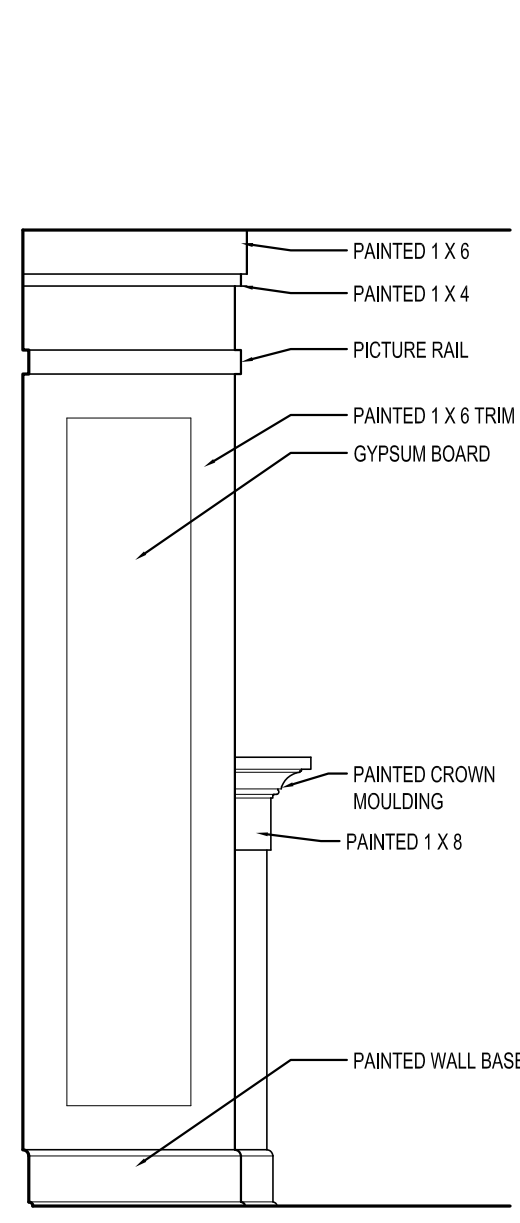
ELEVATION M1 & M3  
 1/2"=1'-0"



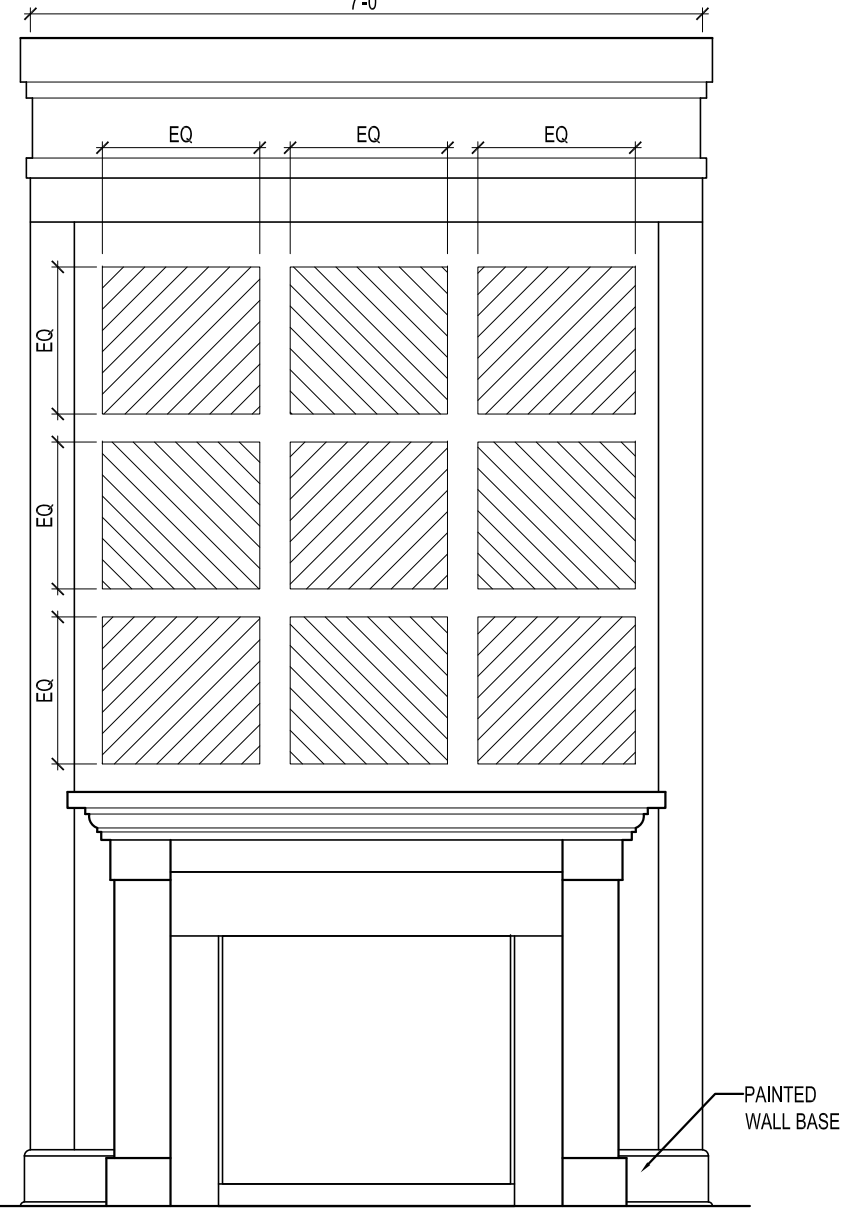
ELEVATION M2  
 1/2"=1'-0"



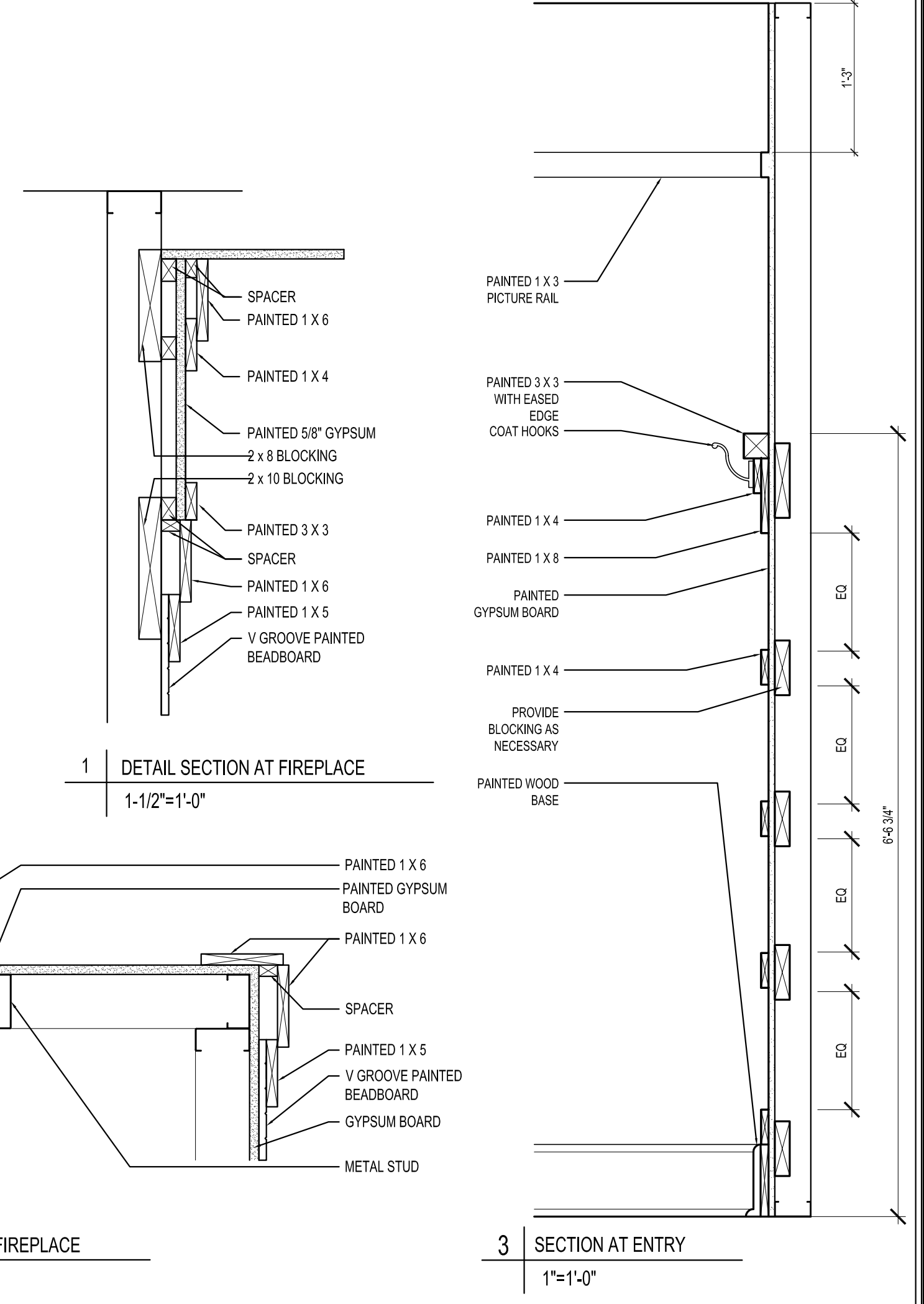
ELEVATION M4  
 1/2"=1'-0"



ELEVATION AT FIREPLACE SIDE  
 1/2"=1'-0"



ELEVATION M5  
 1/2"=1'-0"



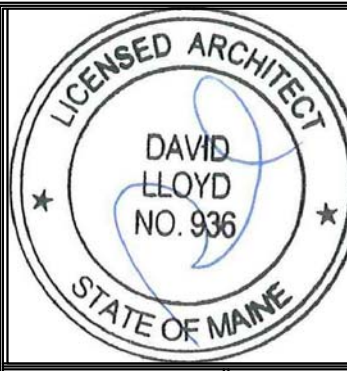
1 DETAIL SECTION AT FIREPLACE  
 1-1/2"=1'-0"

2 DETAIL PLAN AT FIREPLACE  
 1-1/2"=1'-0"

3 SECTION AT ENTRY  
 1"=1'-0"

MILLWORK																																	TOTAL															
	101A	112A	101B	112B	102A	111A	102B	111B	103A	110A	103B	110B	104A	109A	104B	109B	105A	107A	105B	107B	106A	108A	106B	108B	201B	210B	201A	210A	202A	209A	202B	209B		203B	208B	203A	208A	204A	206A	204B	206B	205A	207A	205B	207B			
mantle	M1												1	1																																		2
	M2					1	1			1	1											1	1																							6		
	M3	1	1															1	1																1	1										4		
	M4																																															10
	M5																											1	1																		2	
armoires	AR1								1	1									1	1																												10
	AR2	1	1	1	1								1	1	1	1	1	1	1			2	2	1	1																					34		
table	T7	1	1							1	1											1	1																								16	
	V1	1	1	1	1	1	1	1	1	1	1	1	1	1	1	1	1	1	1	1	2	2	1	1																							40	
storage	S1			1	1					1	1	1	1	1	1	1						1	1	1	1																						26	
	S1A	1	1																																												2	
	S2					1	1																																							6		
	S2A																	1	1																												2	
	S3																																														2	
bar	B1	1	1			1	1			1	1		1	1							1	1																									20	
	B3																																														2	
	B4			1	1								1	1																																22		
	B4			1	1								1	1																																22		
kitchen	A1																																														2	
	A3	1	1			1	1						1	1																																20		
closet	C1	1	1			1	1						1	1																																	22	
	C1	1	1			1	1						1	1																																	22	

SEE A9.00A FOR MILLWORK DETAILS



Prepared For:  
 The Inn at Diamond  
 Cove, LLC.  
 PO BOX 3572  
 PORTLAND, ME 04101

Interior Designer:  
**truexculins**  
 INTERIORS  
 209 BATTERY STREET BURLINGTON, VERMONT 05401 USA  
 Phone 802.656.2775 800.227.1076  
 ARCHITECTURE | INTERIOR DESIGN | truexculins.com

Architect:  
**ARCHETYPE**  
 architects  
 48 Union Wharf Portland, Maine 04101  
 (207) 772-6022 Fax (207) 772-4056

Project:  
 THE INN AT  
 DIAMOND COVE,  
 LLC  
 McKinley Court  
 GREAT DIAMOND ISLAND, MAINE

Revisions:  
 Issued for Construction 03 Feb 14

Date:  
 03 Feb 2014

Scale:  
 As Noted

A9.00A