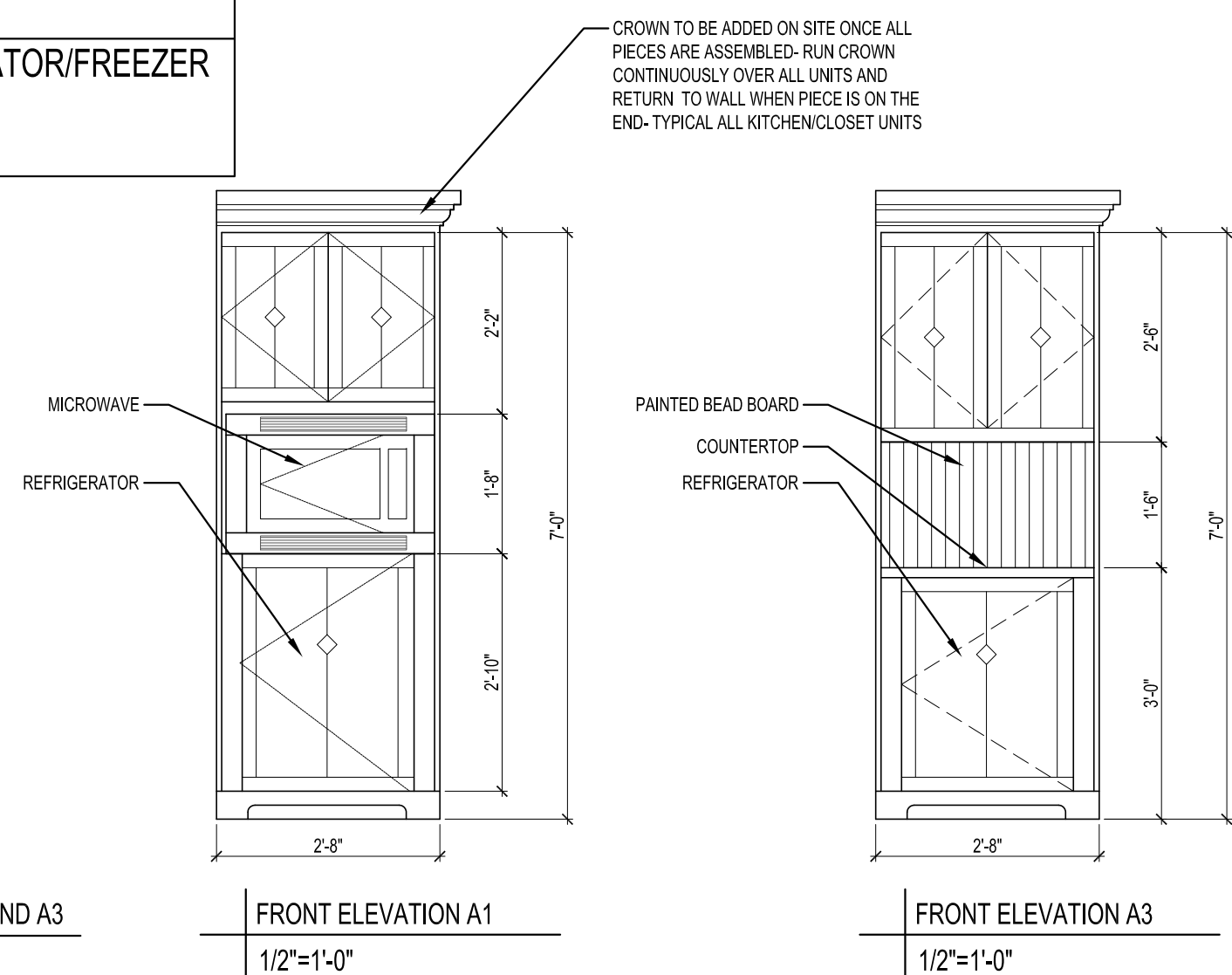
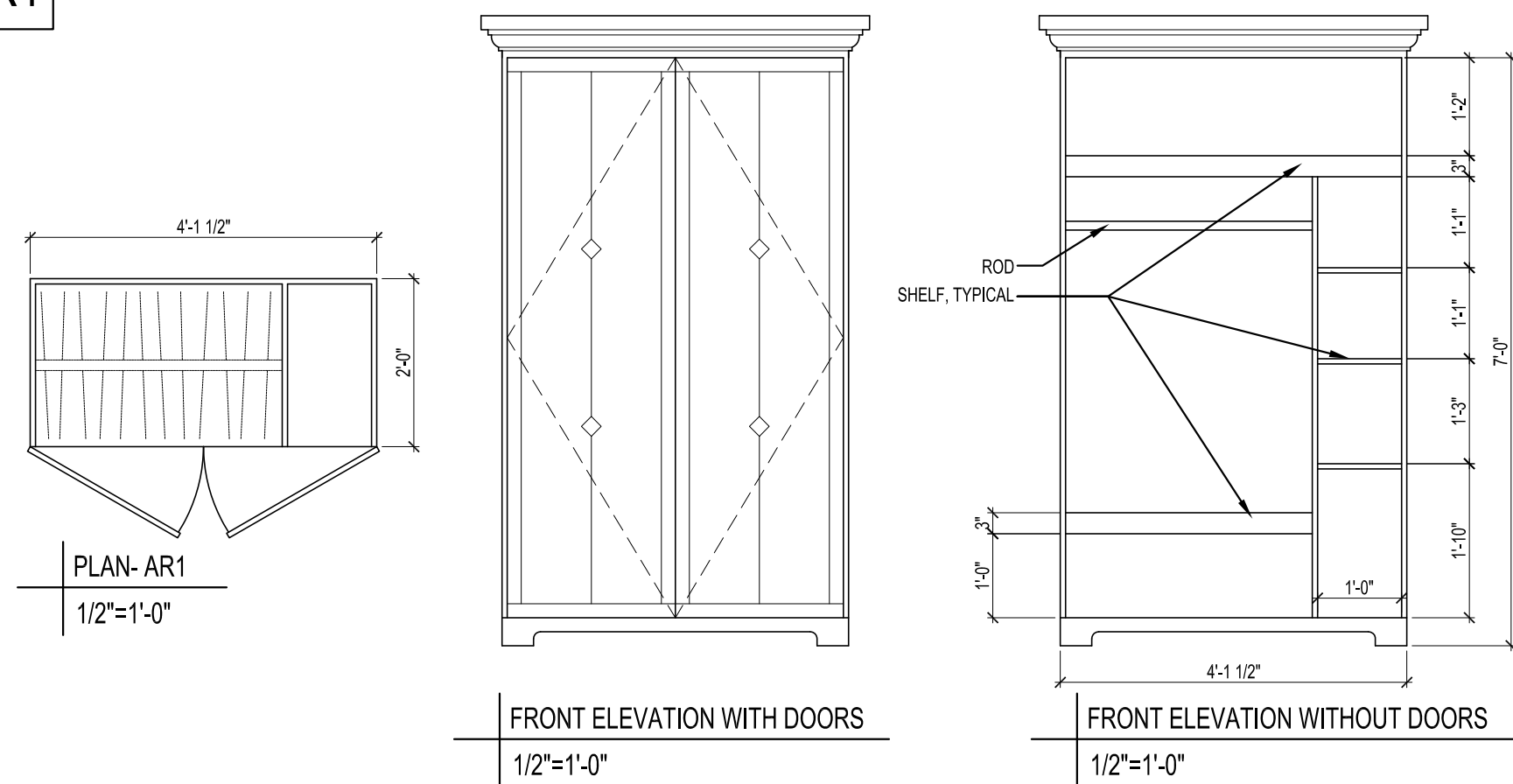


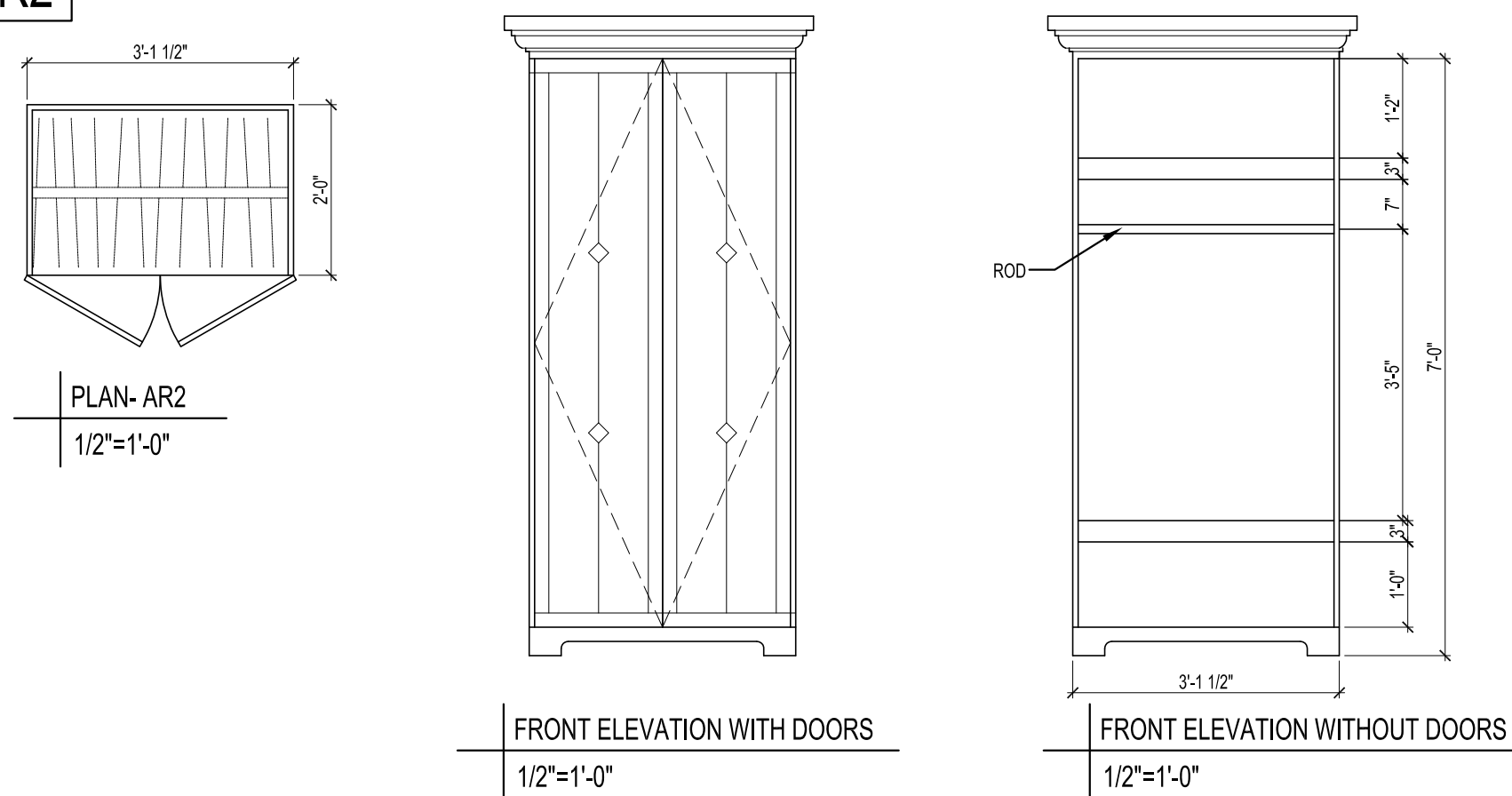
A1 AND A3 PROGRAM:
 1 UNDERCOUNTER REFRIGERATOR/FREEZER
 1 BUILT-IN MICROWAVE STORAGE



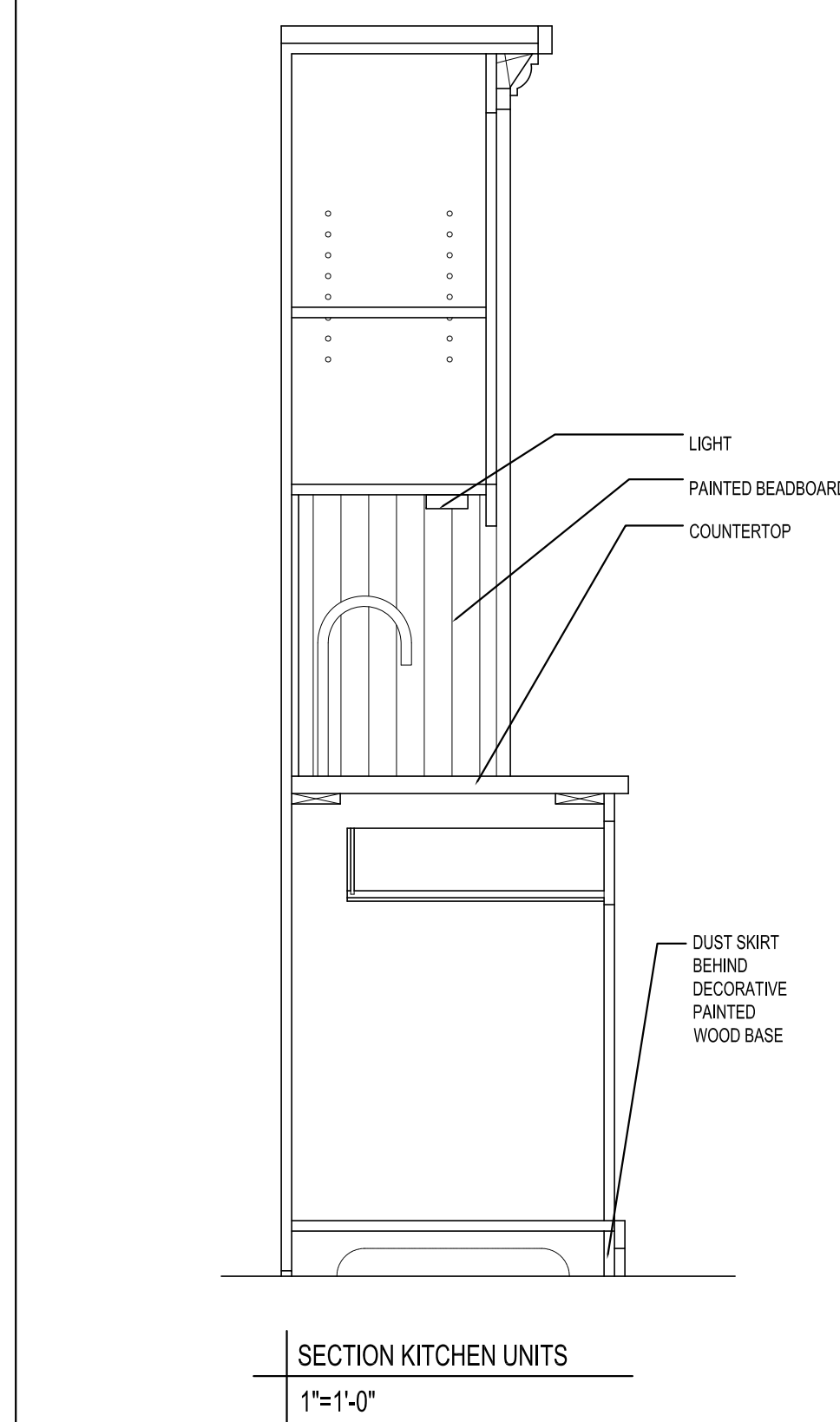
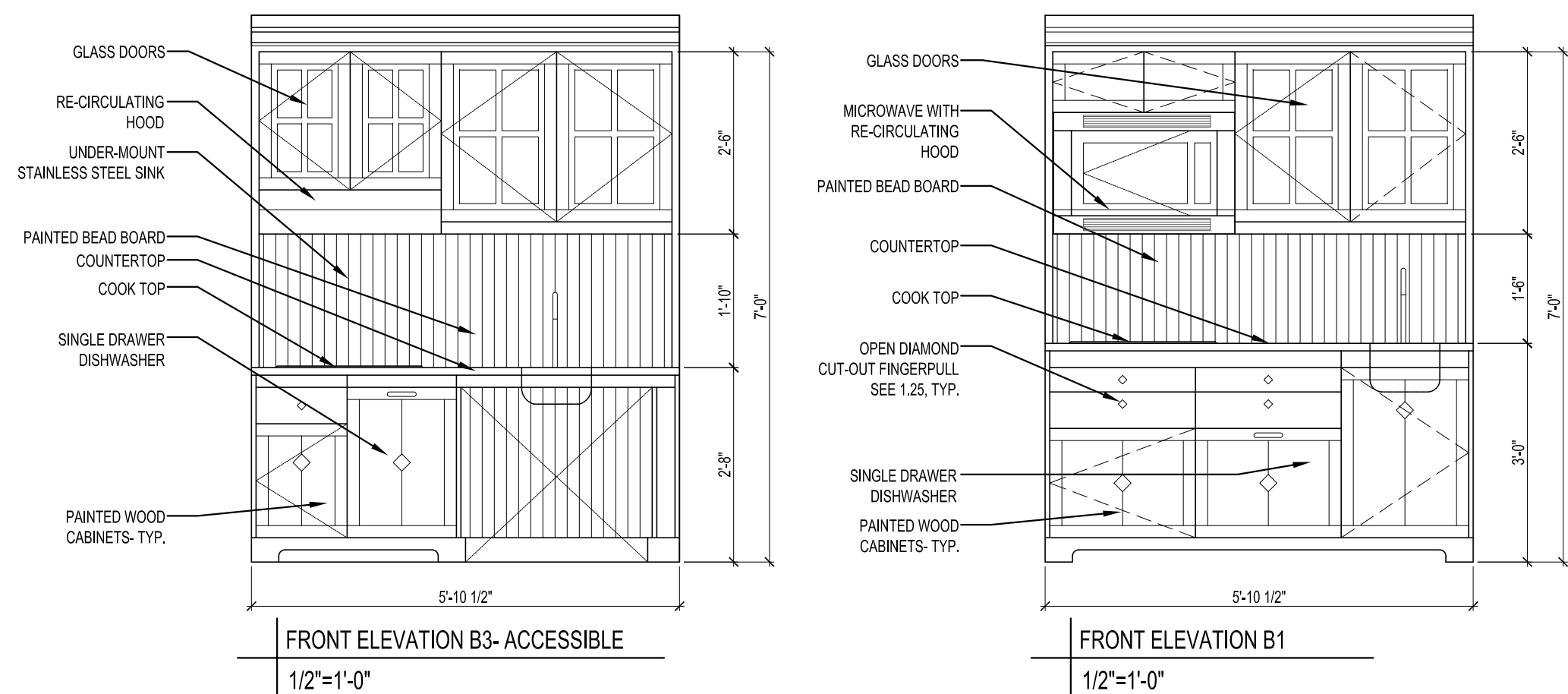
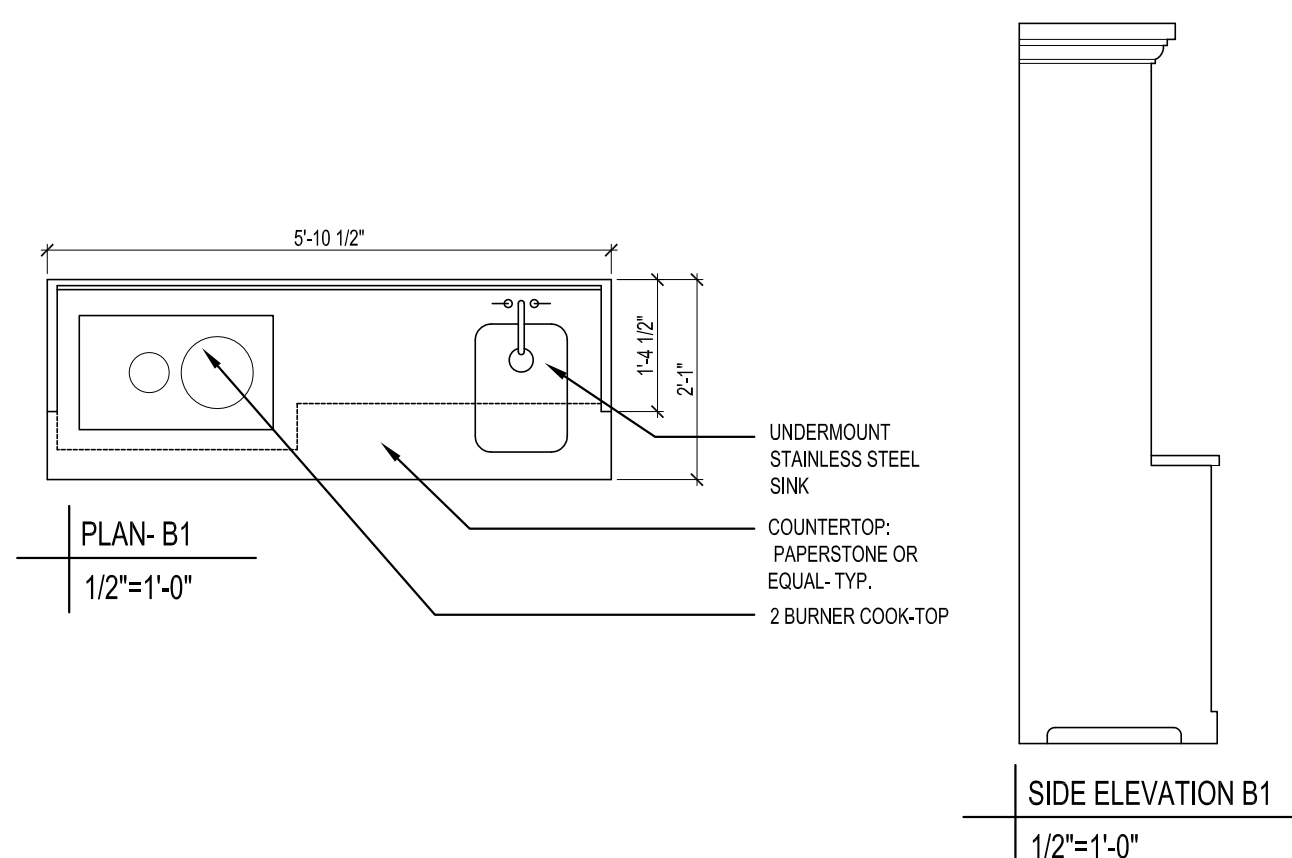
AR1



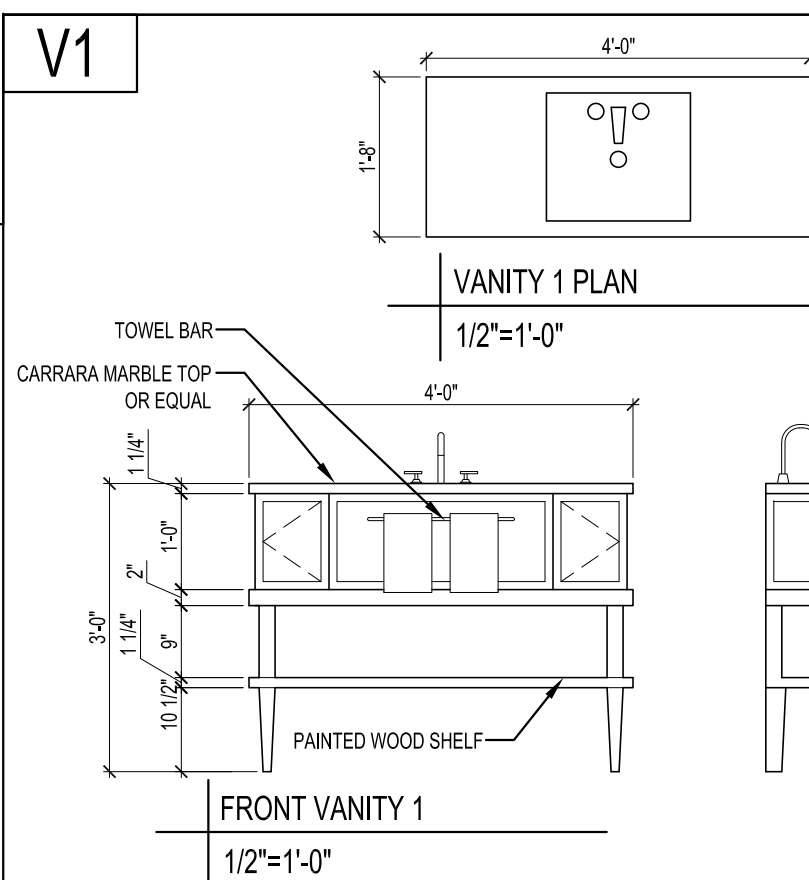
AR2



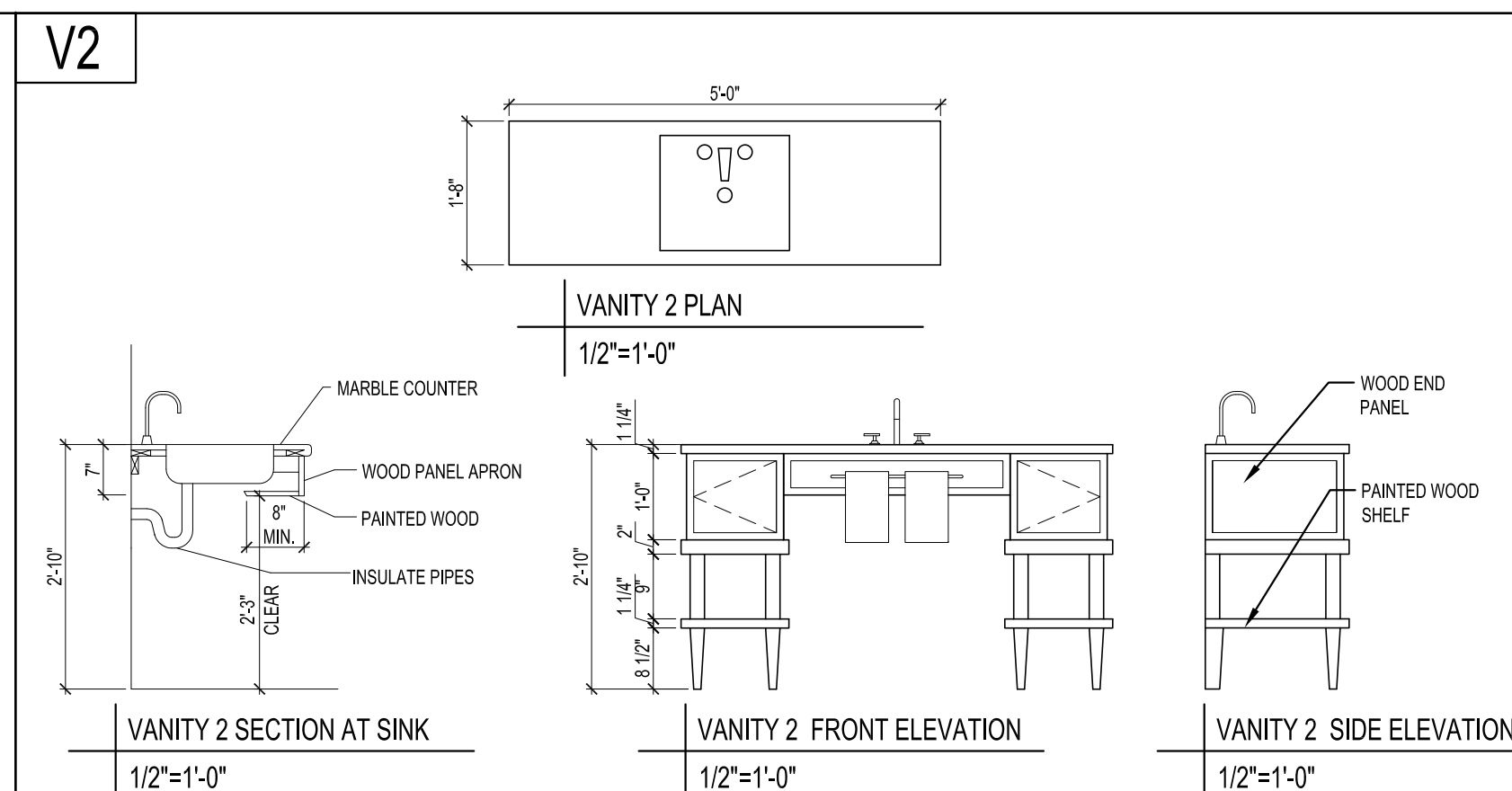
B1 AND B3 PROGRAM:
 1-BOWL SINK
 1 2-BURNER COOK-TOP
 1 RE-CIRCULATING HOOD
 1 1-DRAWER DISHWASHER
 PLACE SETTINGS FOR 8
 2 POTS
 2 PANS
 KETTLE
 COFFEE MAKER



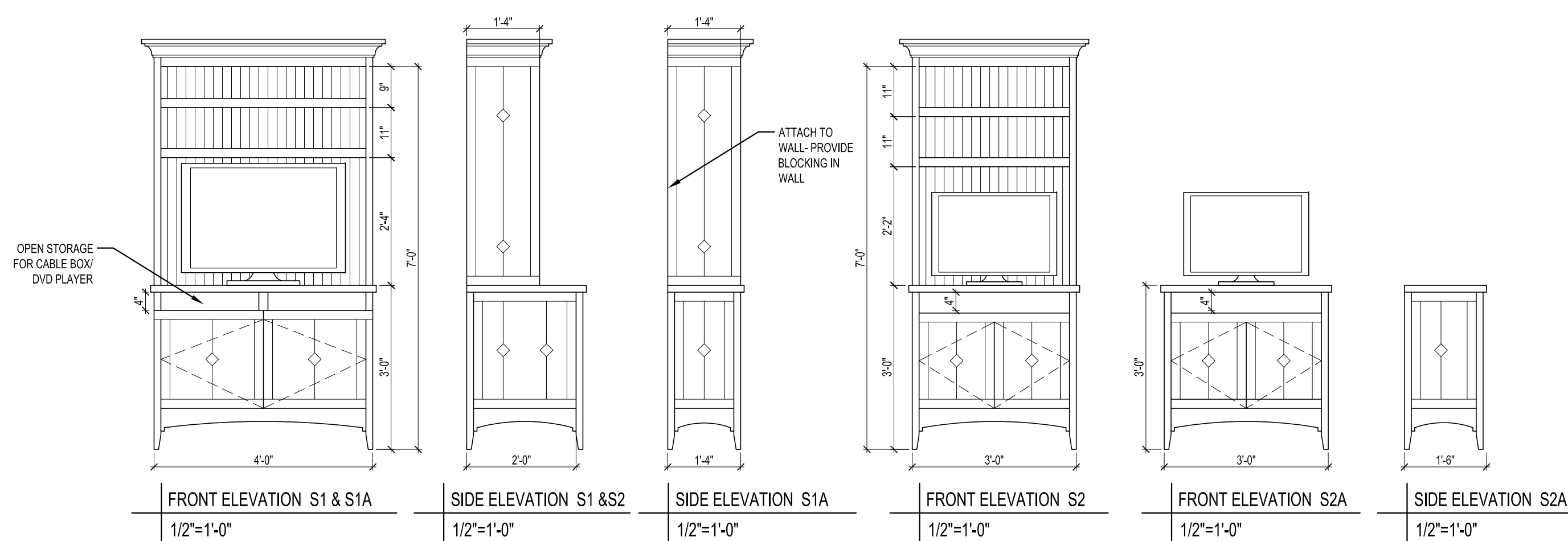
V1



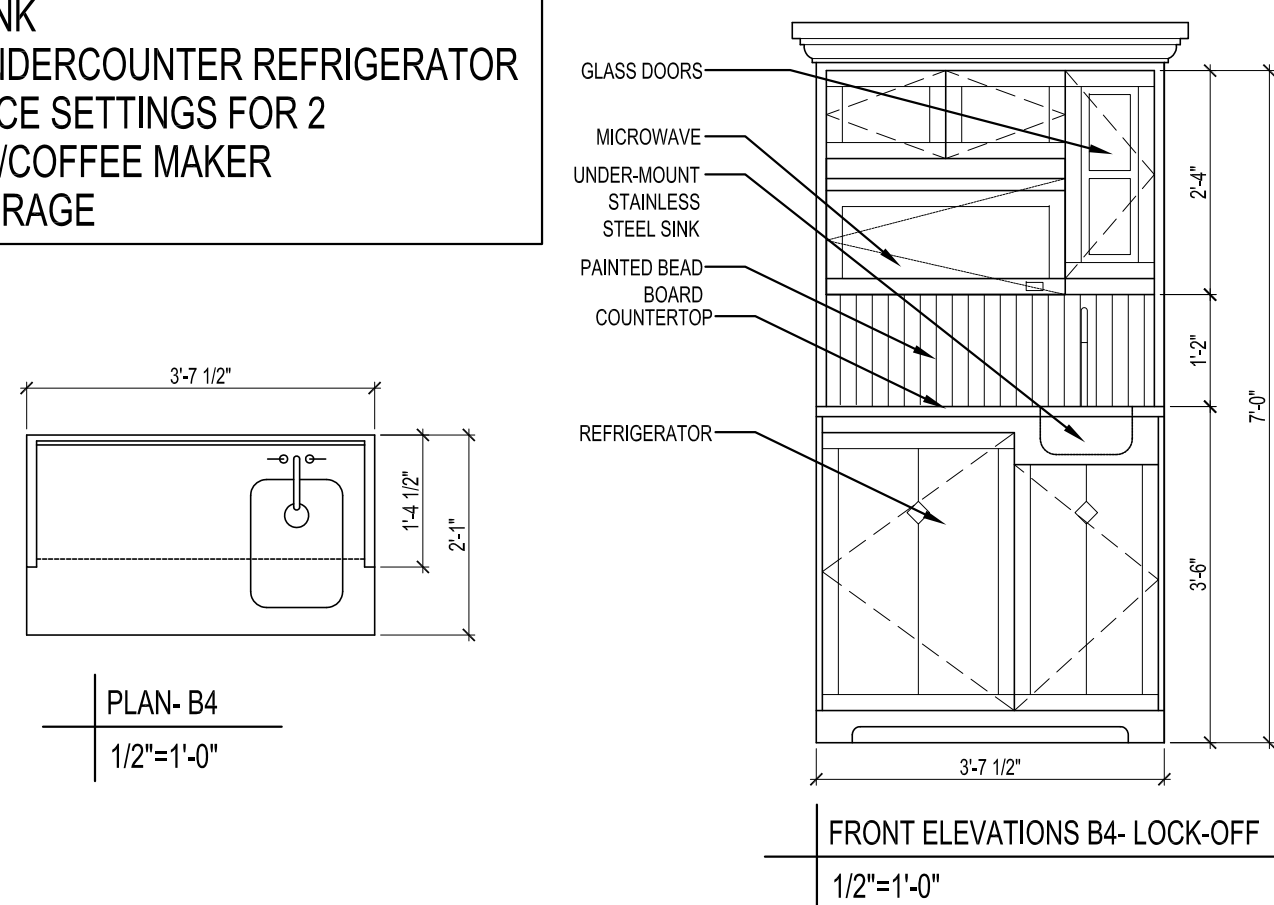
V2



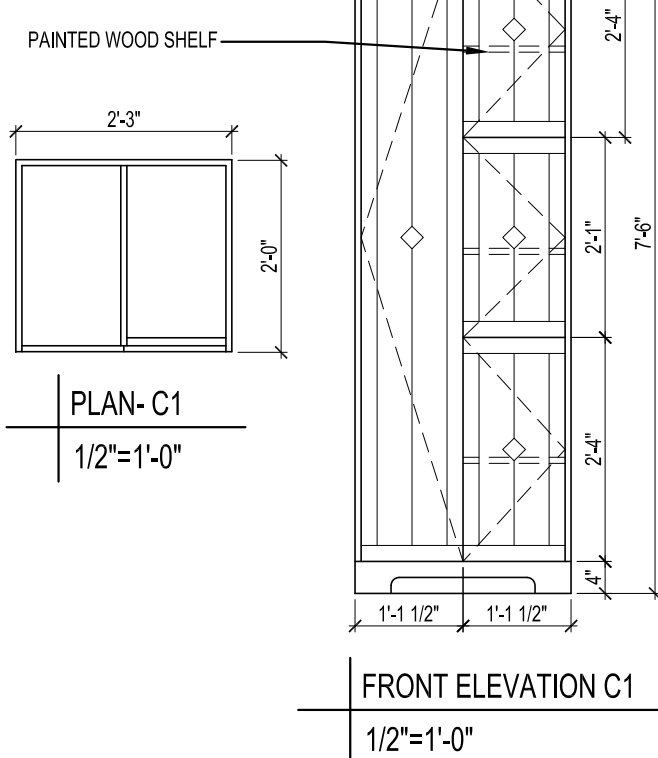
S1,S2 PROGRAM:
 1 DVD PLAYER
 1 CABLE BOX
 1 STEREO



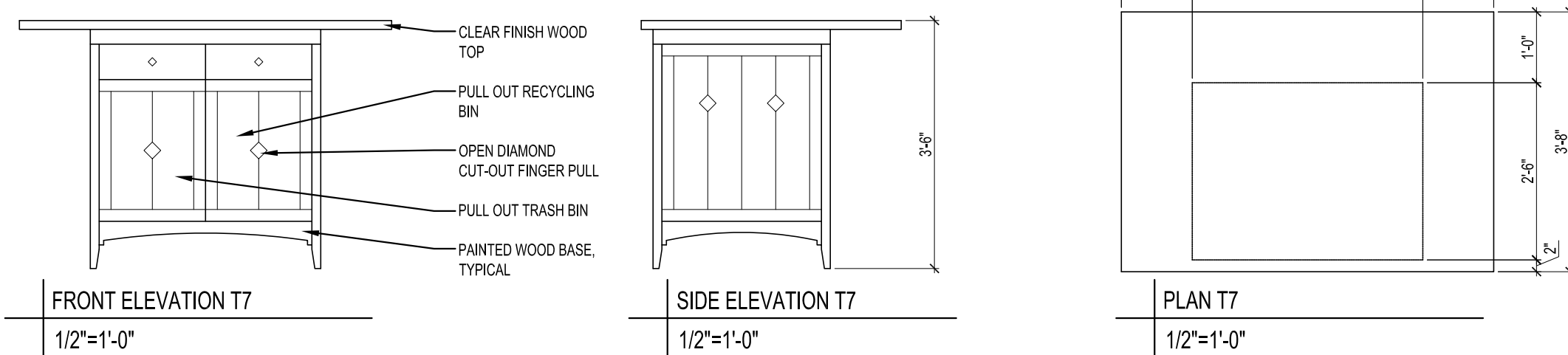
B4 BAR PROGRAM:
 1 SINK
 1 UNDERCOUNTER REFRIGERATOR
 PLACE SETTINGS FOR 2
 TEA/COFFEE MAKER
 STORAGE



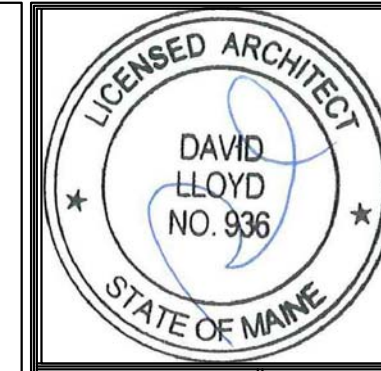
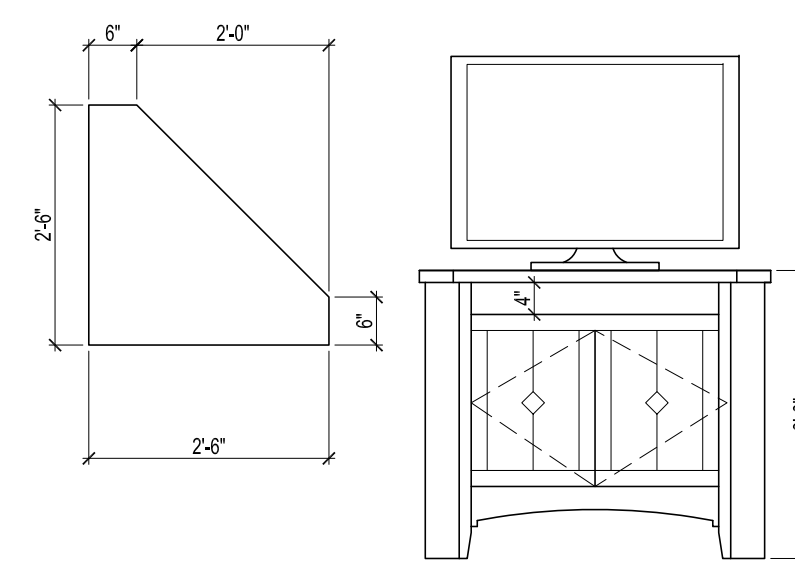
C1 PROGRAM:
 1 BROOM
 1 DUST PAN
 STORAGE



T7 PROGRAM:
 1 RECYCLING BIN
 1 TRASH BIN



S3 PROGRAM:
 1 DVD PLAYER
 1 CABLE BOX
 1 STEREO



Prepared For:
The Inn at Diamond Cove, LLC.
 PO BOX 3572
 PORTLAND, ME 04101

Interior Designer:
truexculins
 INTERIORS
 208 BATTERY STREET BURLINGTON, VERMONT 05401 USA
 Phone 802.656.2775 800.227.1076
 ARCHITECTURE | INTERIOR DESIGN | truexculins.com

Architect:
ARCHETYPE
 architects
 48 Union Wharf Portland, Maine 04101
 (207) 772-6022 Fax (207) 772-4056

Project:
THE INN AT DIAMOND COVE, LLC
 MCKINLEY COURT
 GREAT DIAMOND ISLAND, MAINE

Revisions:
 Issued for Construction 03 Feb 14

Date: 03 Feb 2014
 Scale: As Noted
MILLWORK DETAILS

A9.00