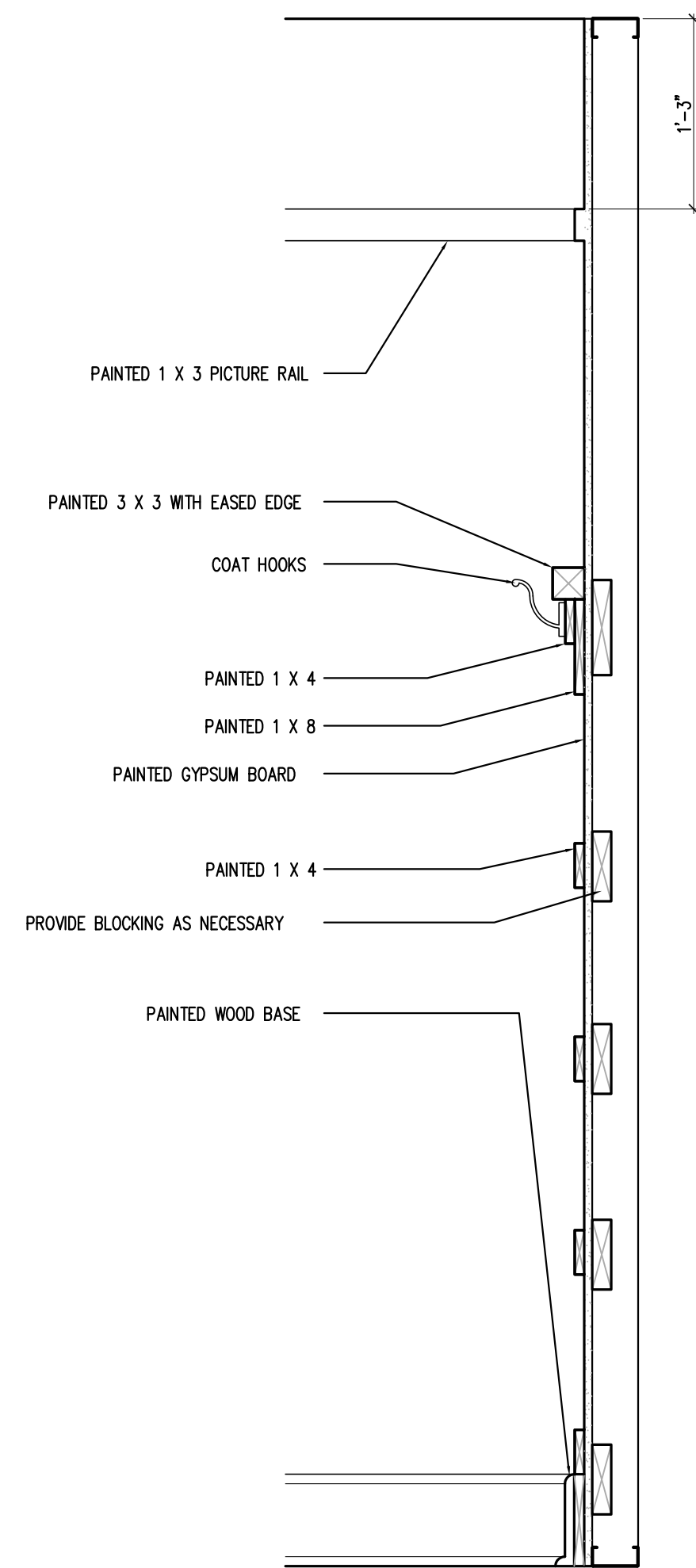
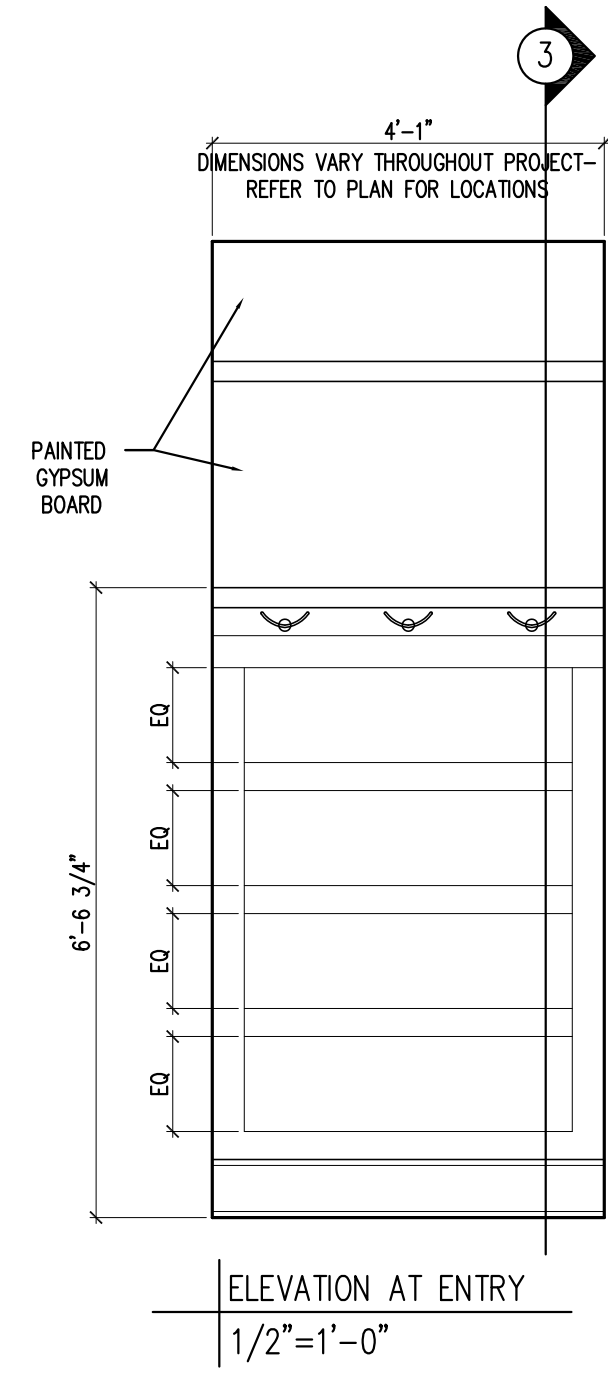
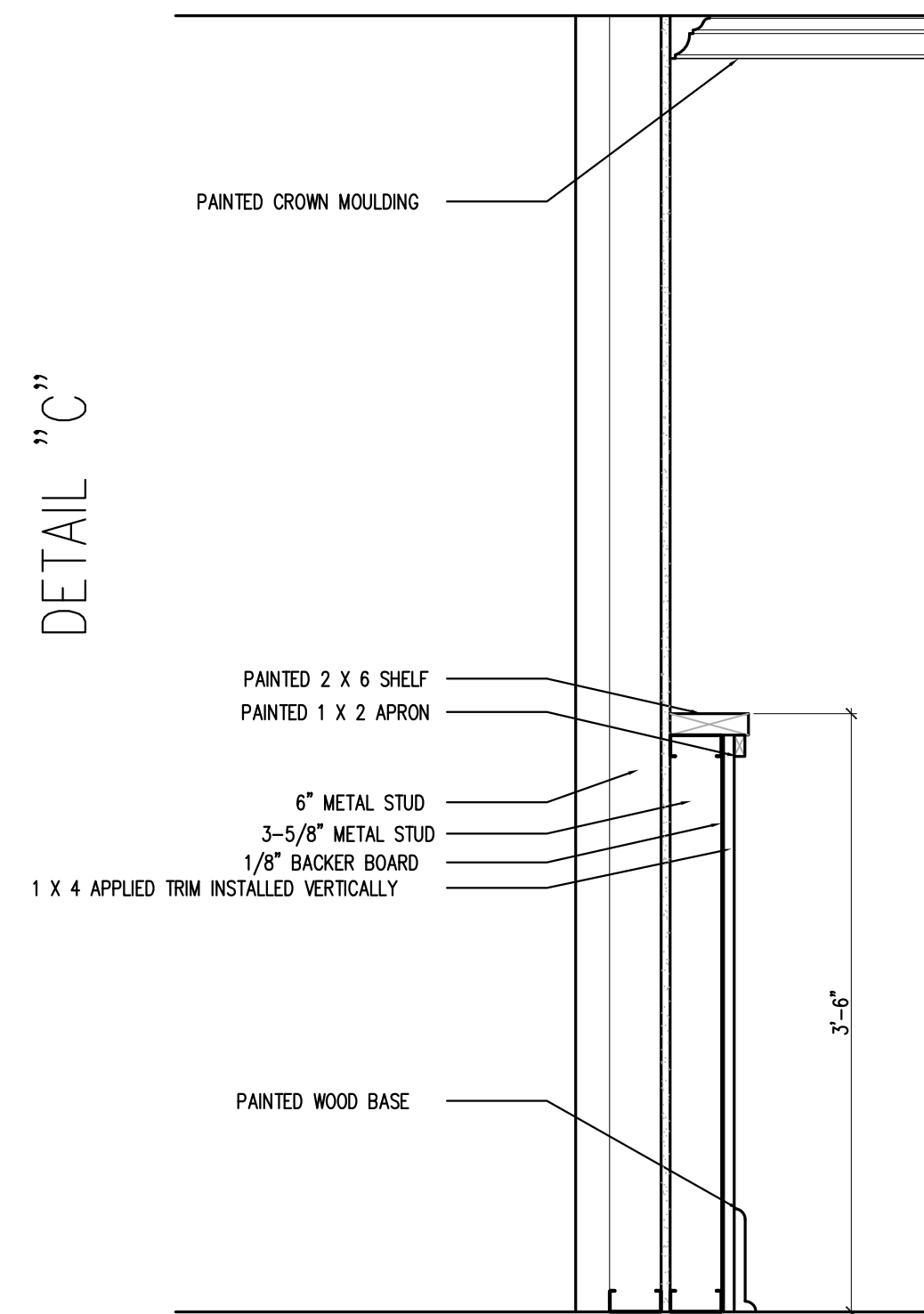


DETAIL "B"

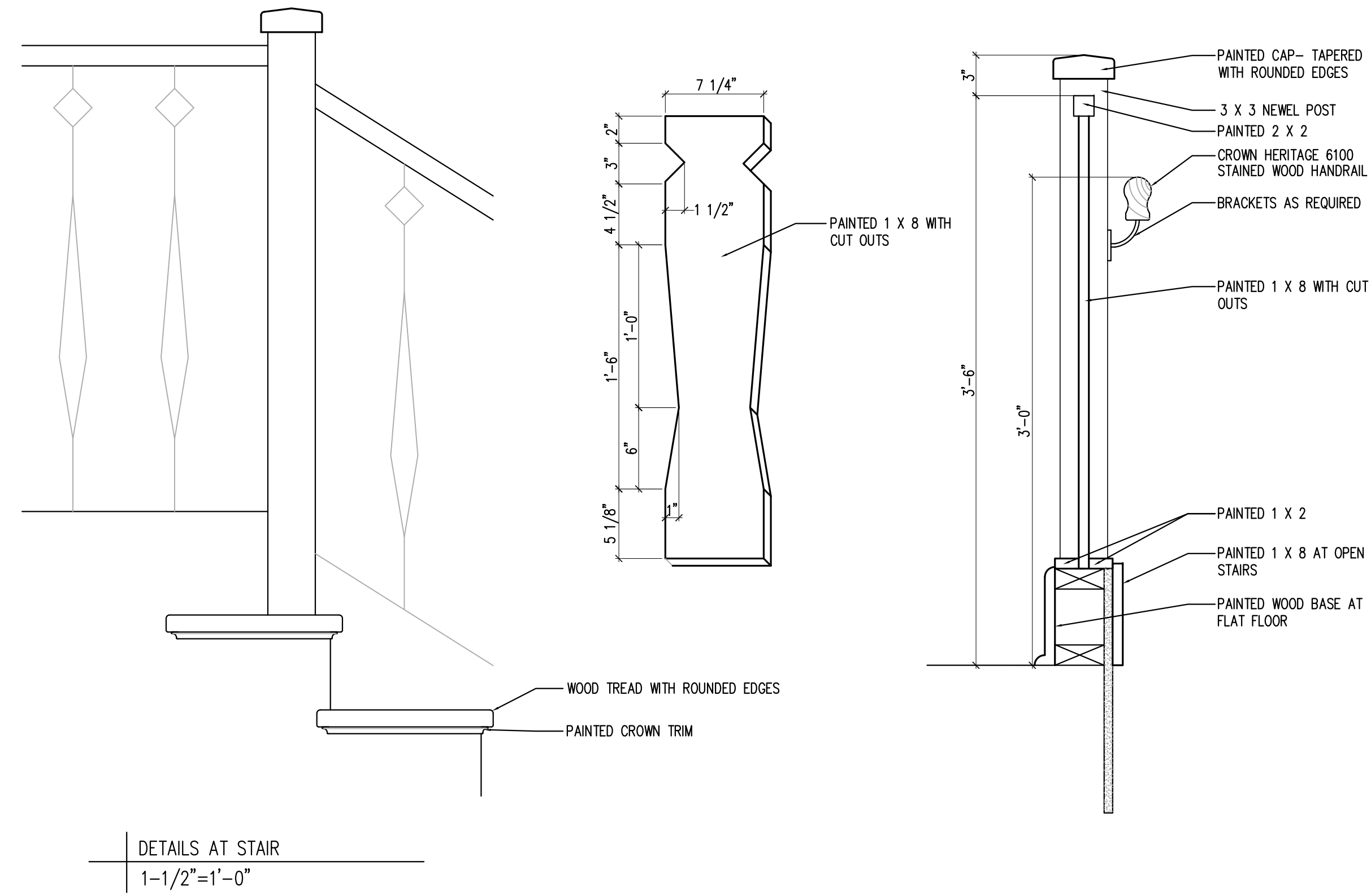


3 SECTION AT ENTRY  
1" = 1'-0"

DETAIL "C"

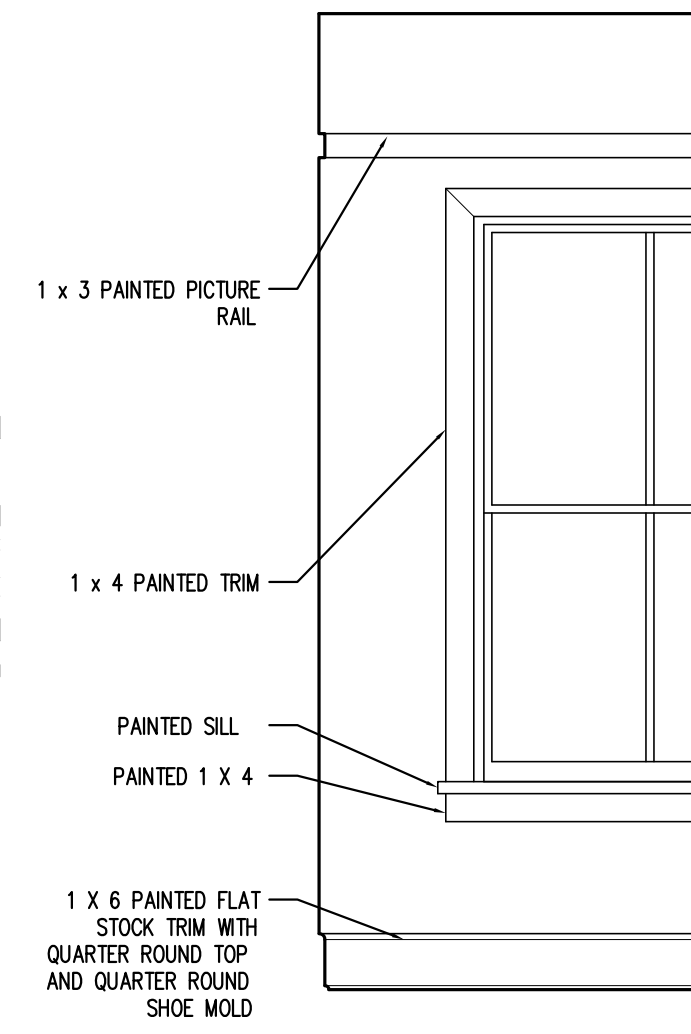


STAIR DETAILS

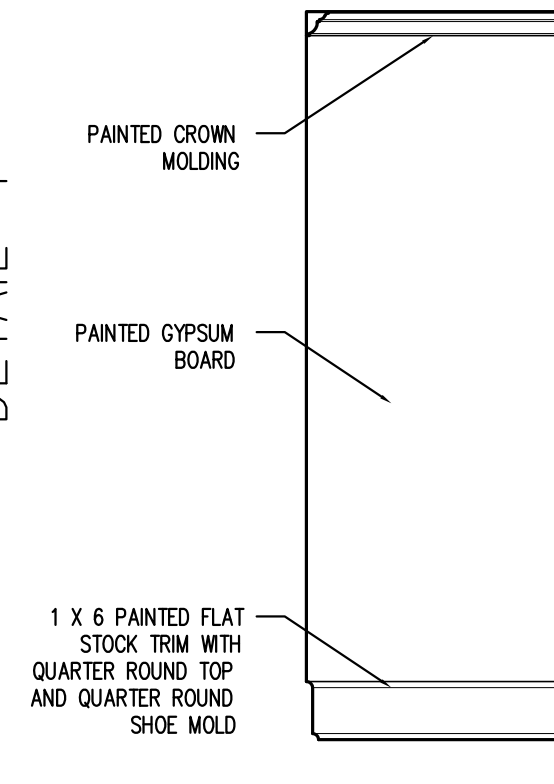


DETAILS AT STAIR  
1-1/2" = 1'-0"

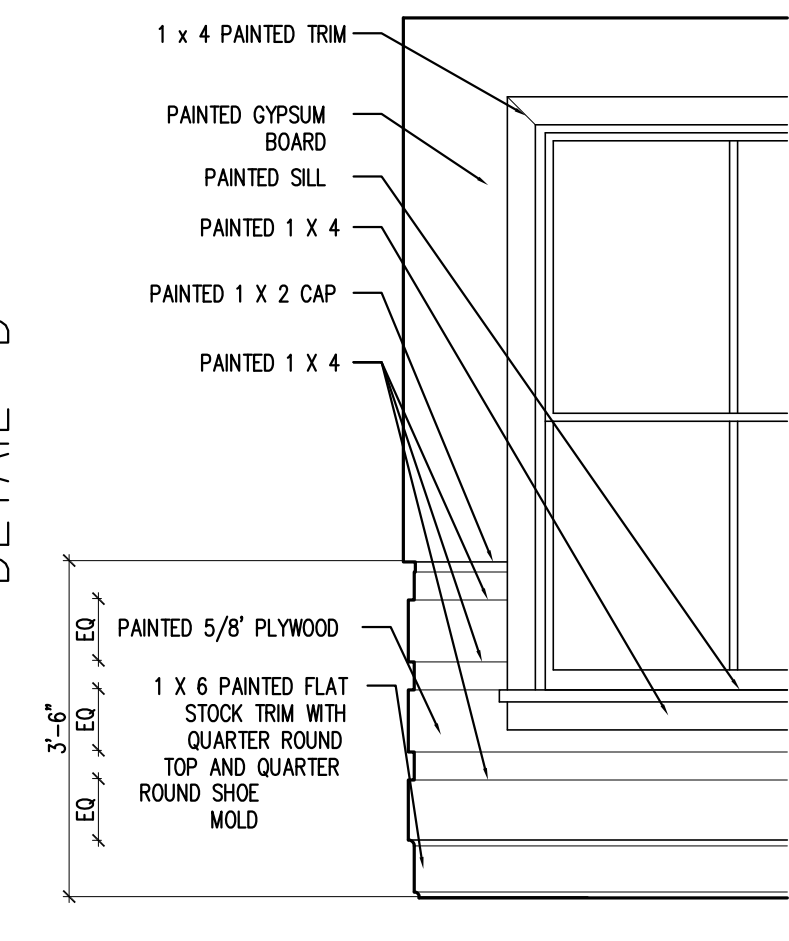
DETAIL "E"



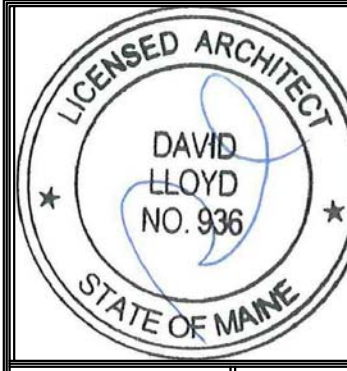
DETAIL "F"



DETAIL "D"



\*\*\*PROVIDE BLOCKING FOR ALL MILLWORK AS NECESSARY\*\*\*



Prepared For:  
**The Inn at Diamond Cove, LLC.**  
PO BOX 3572  
PORTLAND, ME 04101

Interior Designer:  
**truexculins**  
INTERIORS  
288 BATTERY STREET BOSTON, VERMONT 05401 USA  
Phone 802 658 2775 Fax 800 227 1076  
ARCHITECTURE | INTERIOR DESIGN | truexculins.com

Architect:  
**ARCHETYPE**  
architects  
48 Union Wharf Portland, Maine 04101  
(207) 772-6022 Fax (207) 772-4056

Project:  
**THE INN AT DIAMOND COVE, LLC**  
McKINLEY COURT  
GREAT DIAMOND ISLAND, MAINE

Revisions:  
Issued for Construction 03 Feb 14

Date: 03 Feb 2014  
Scale: AS NOTED  
**INTERIOR MILLWORK DETAILS**

**A7.02**