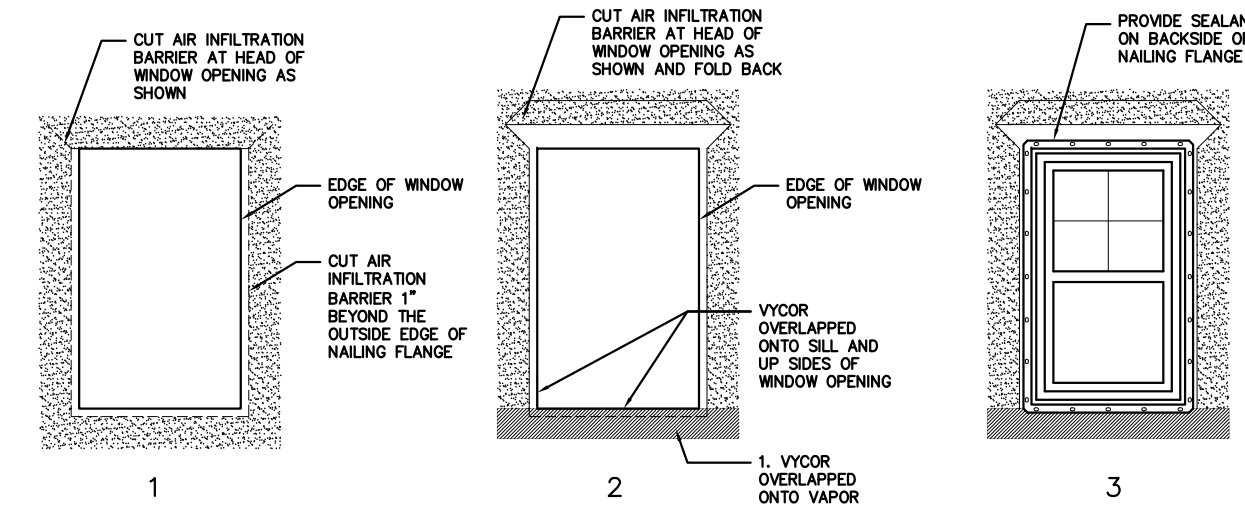
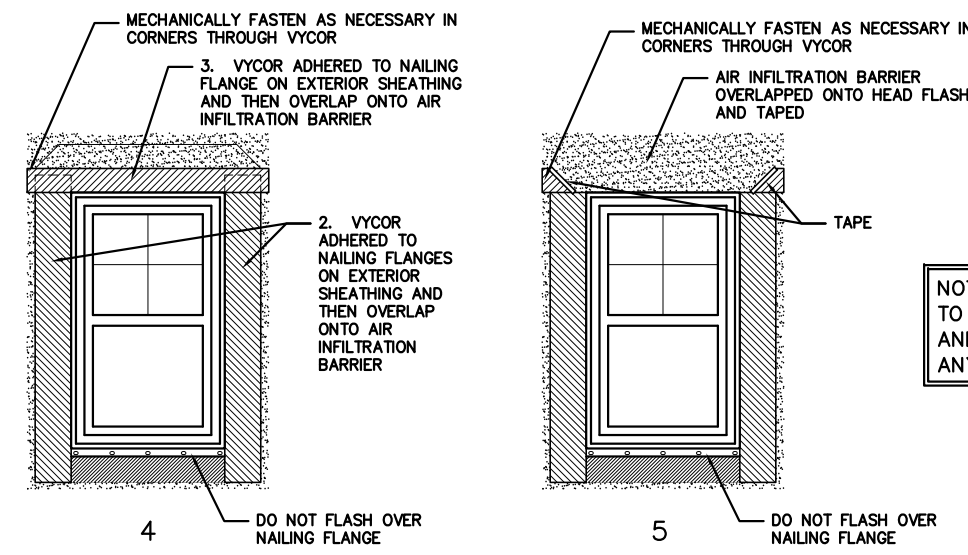


**ORDER OF INSTALLATION OF WATER PROOFING AT WINDOWS**



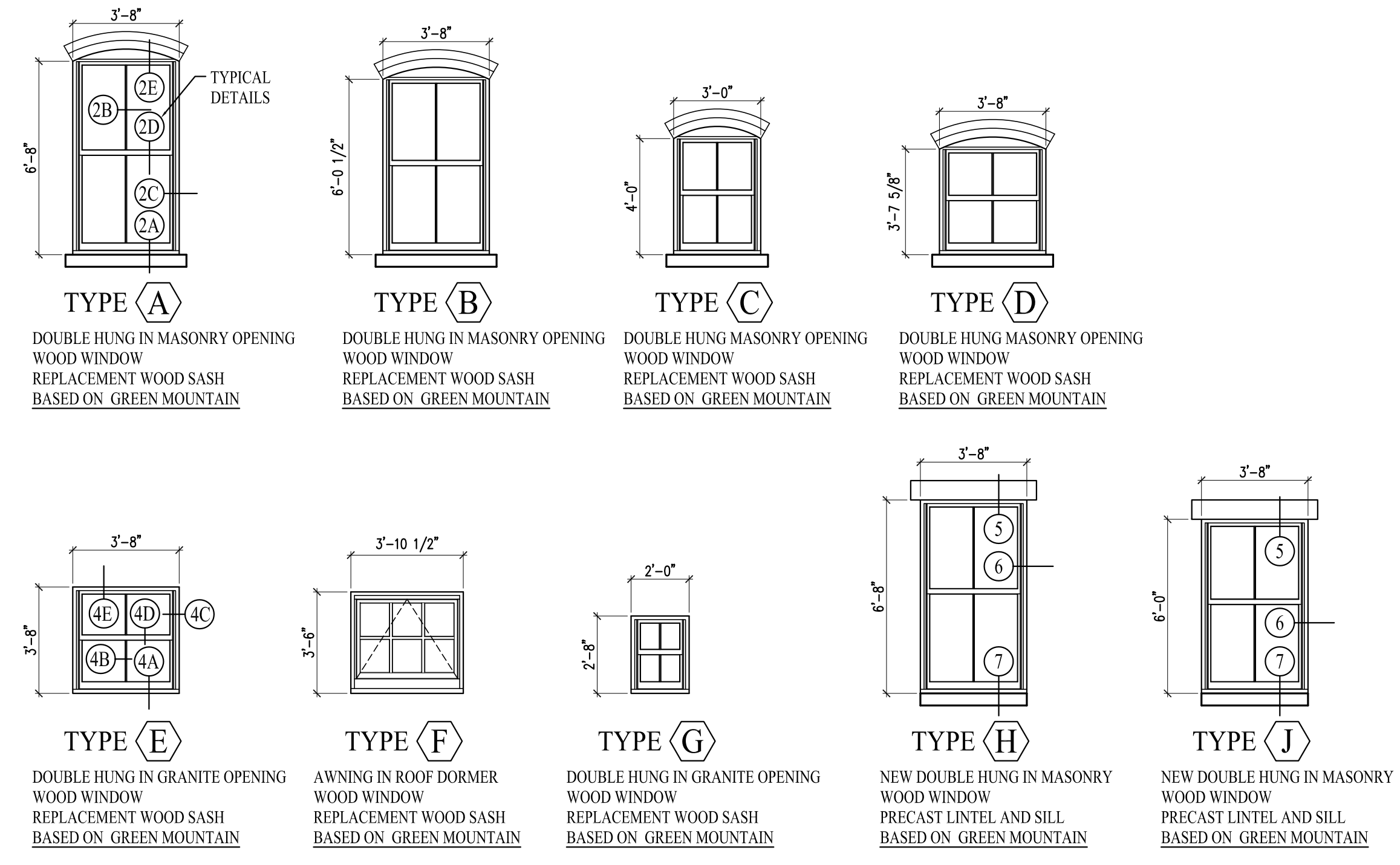
- NOTES:  
1. INSTALL GRACE VYCOR PLUS® IN ORDER AS SHOWN BY NUMBERS.  
2. IF APPLICABLE, LEAVE RELEASE PAPER ON LOWER HALF OF SILL FLASHING UNTIL FUTURE TIE-IN.  
3. INSTALL GRACE VYCOR PLUS® AND AIR INFILTRATION BARRIER TO FORM WATER SHEDDING LAPS.  
4. COORDINATE WITH FLASHING REQUIREMENTS OF WINDOW MANUFACTURER.  
5. FOLLOW MANUFACTURER'S RECOMMENDATIONS FOR INSTALLATION.



NOTE: MOCK-UP FIRST WINDOW TO BE APPROVED BY MSHA, AND ARCHITECT PRIOR TO ANY INSTALLATION

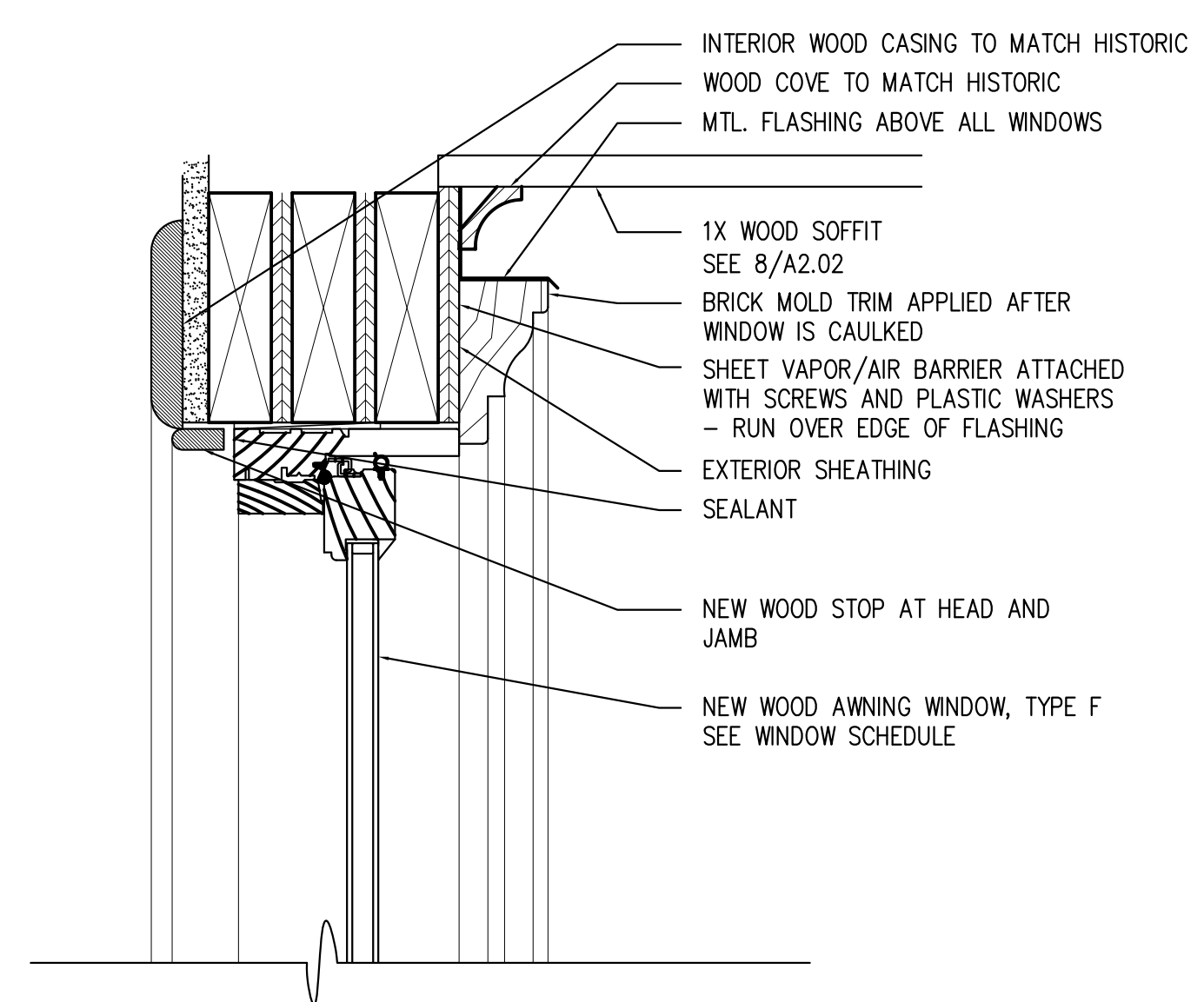
**01 ORDER OF INSTALLATION OF WATERPROOFING AT DORMER WINDOWS**  
SCALE: 3" = 1'-0"

**\* WINDOW SCHEDULE \***

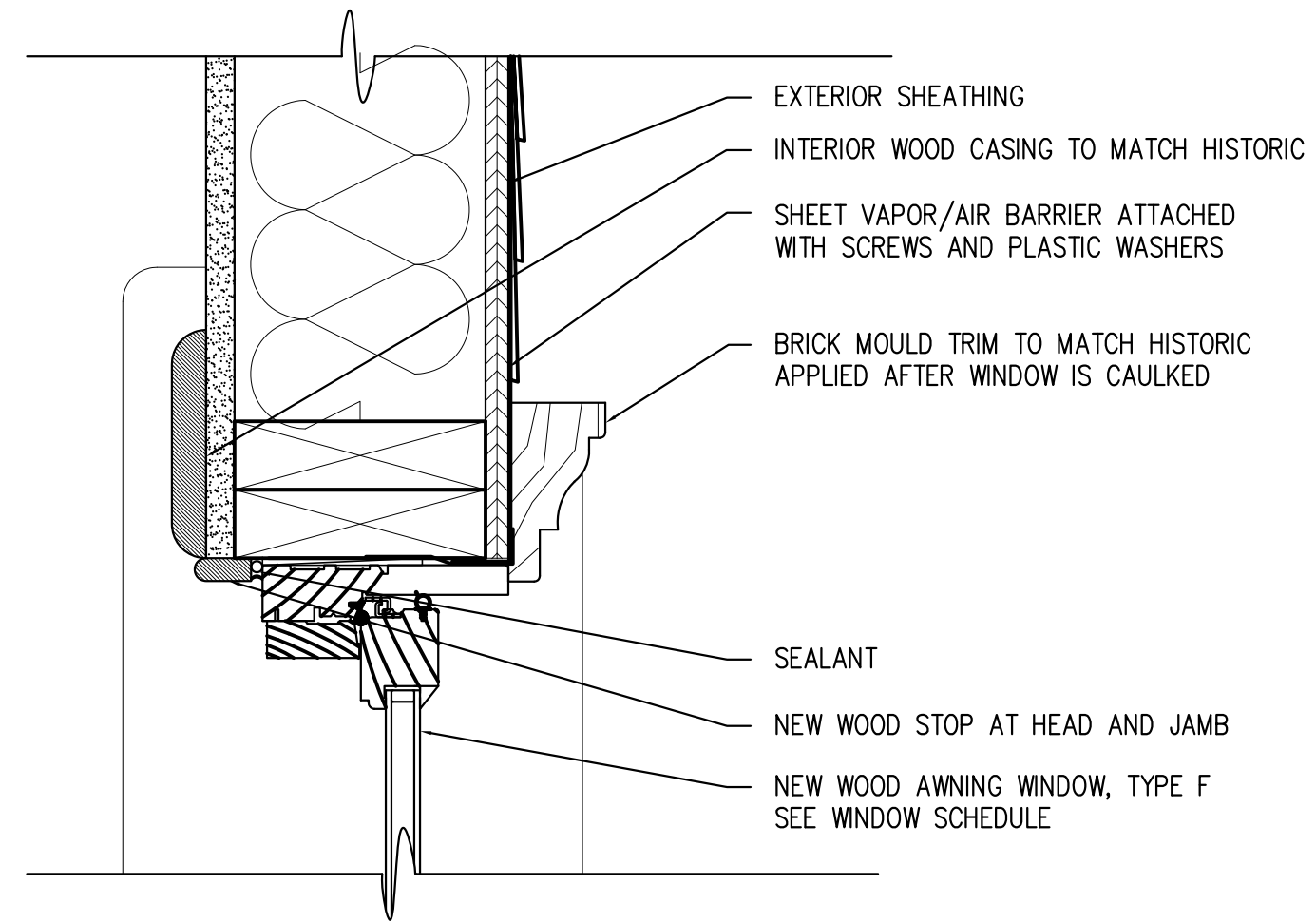


WINDOW SCHEDULE  
SCALE: 1/4"=1'-0"

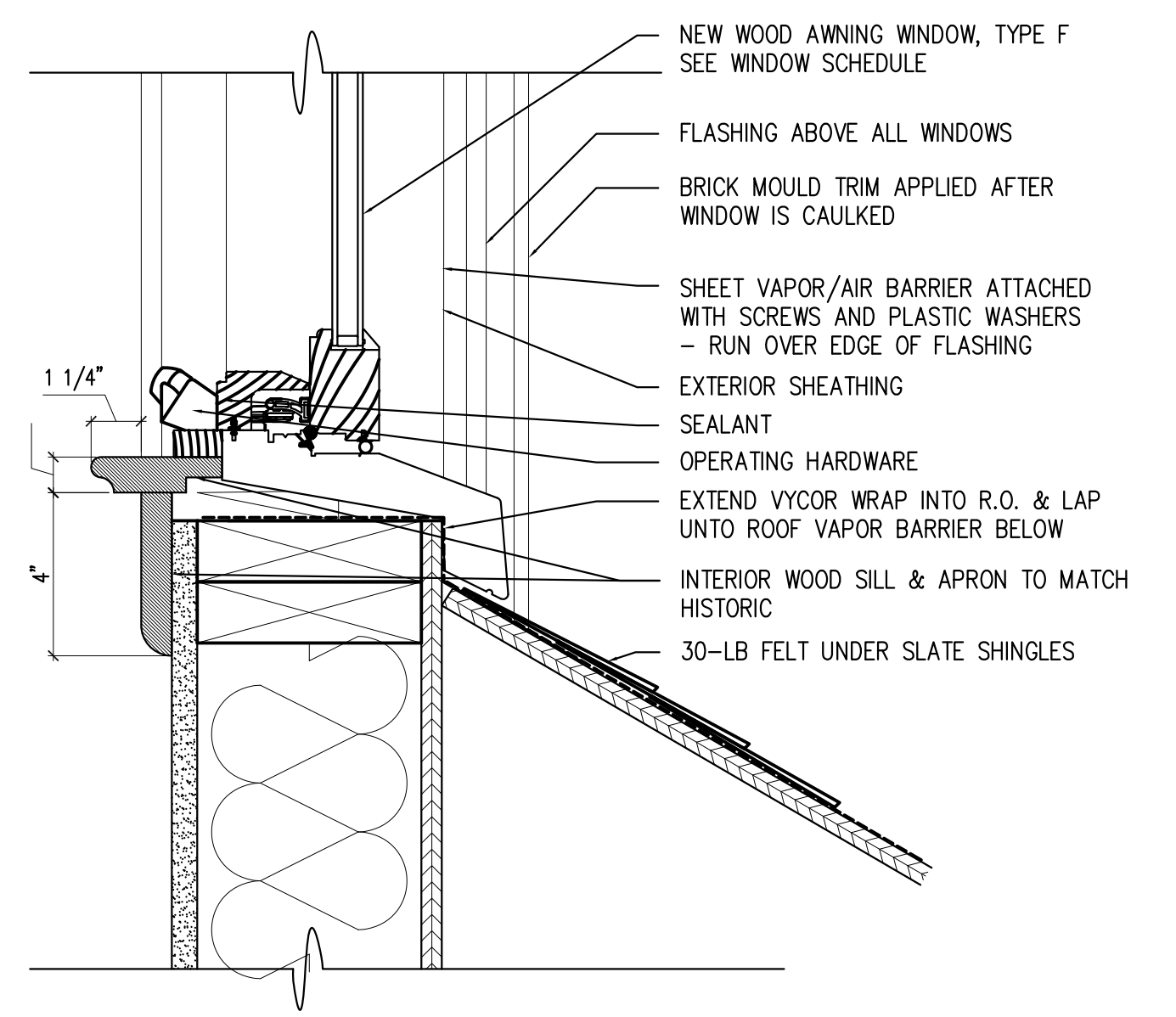
**02 HEAD DETAIL - DORMER WINDOW**  
SCALE: 3" = 1'-0"



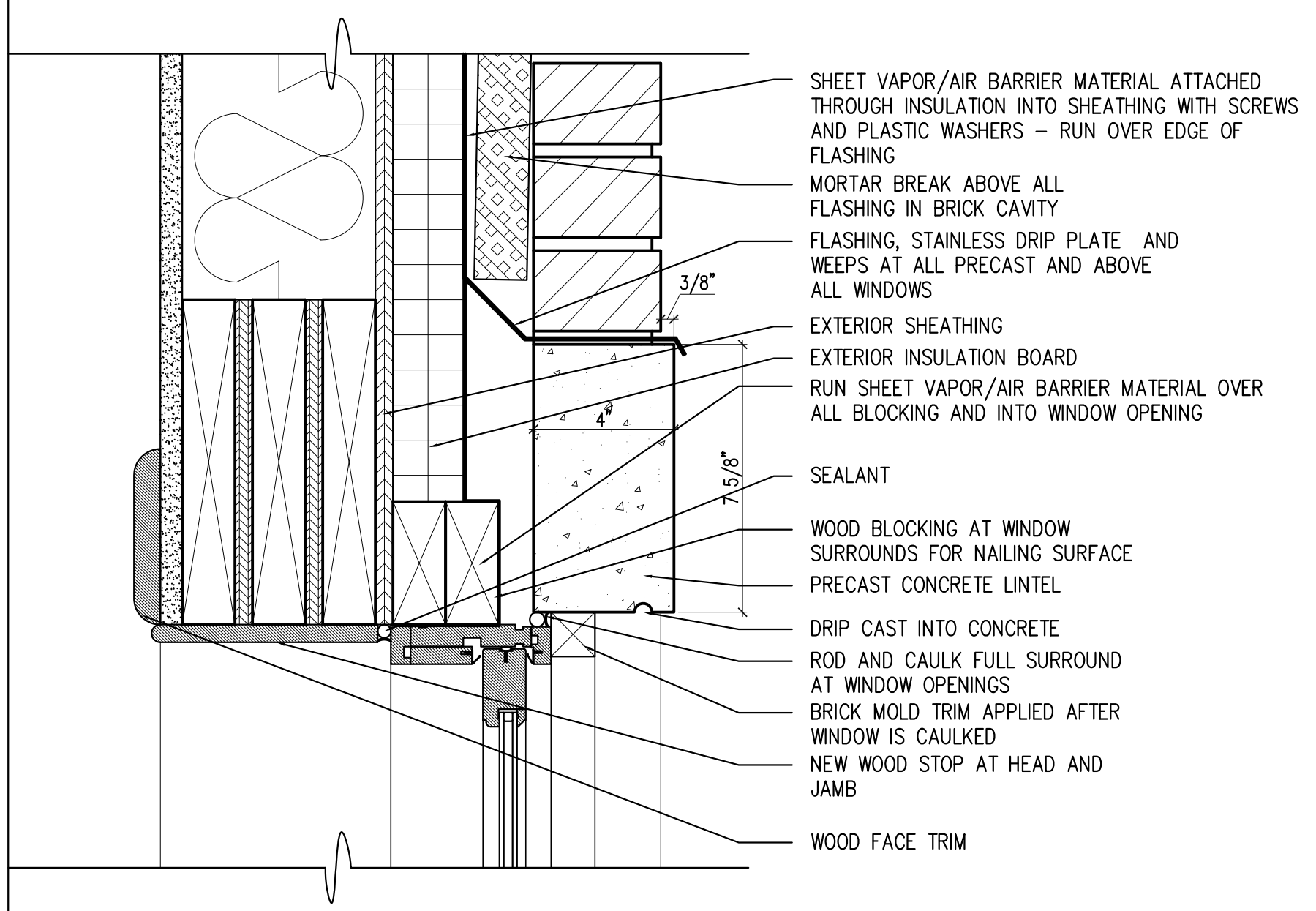
**03 JAMB DETAIL - DORMER WINDOW**  
SCALE: 3" = 1'-0"



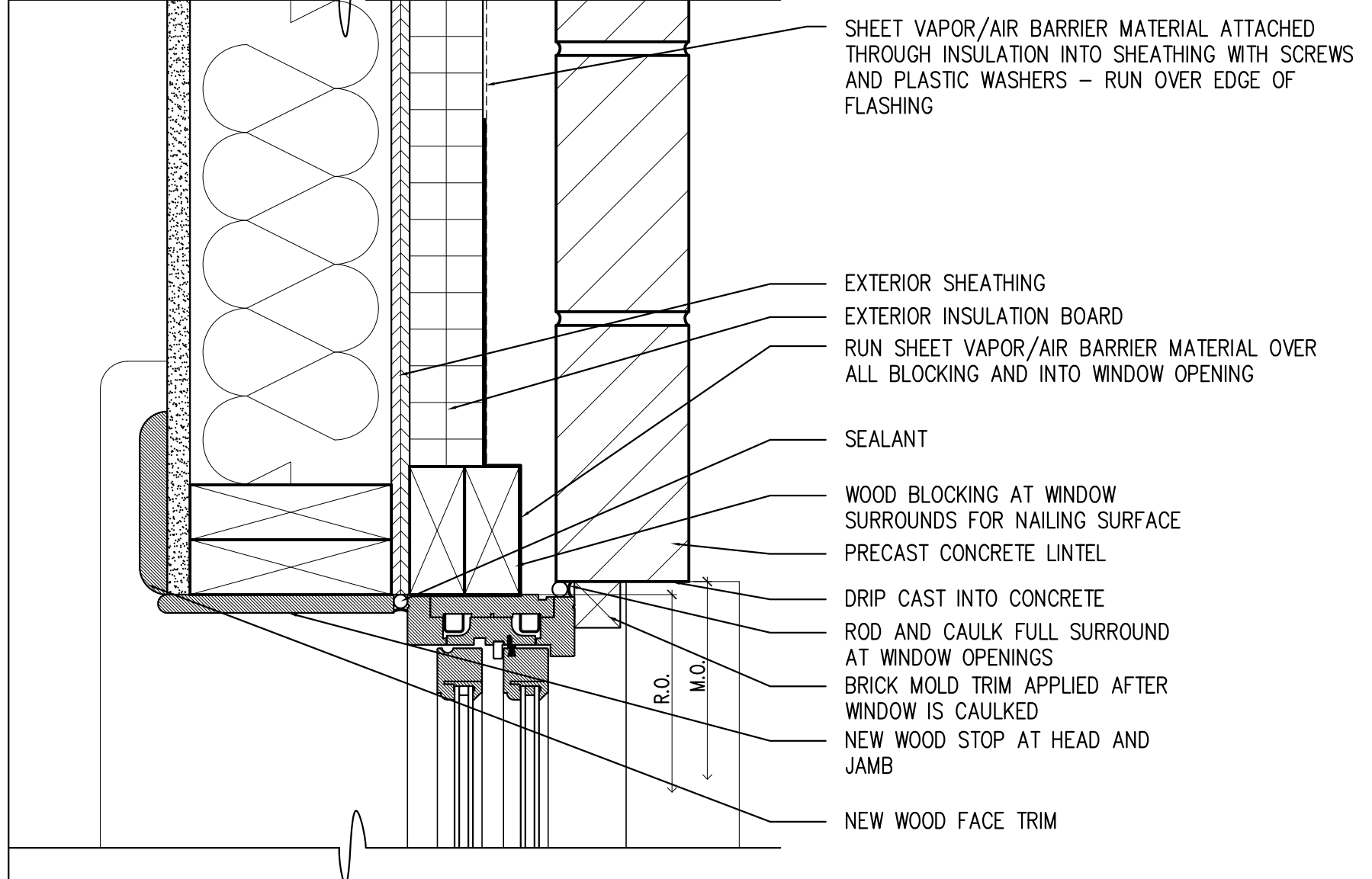
**04 SILL DETAIL - DORMER WINDOW**  
SCALE: 3" = 1'-0"



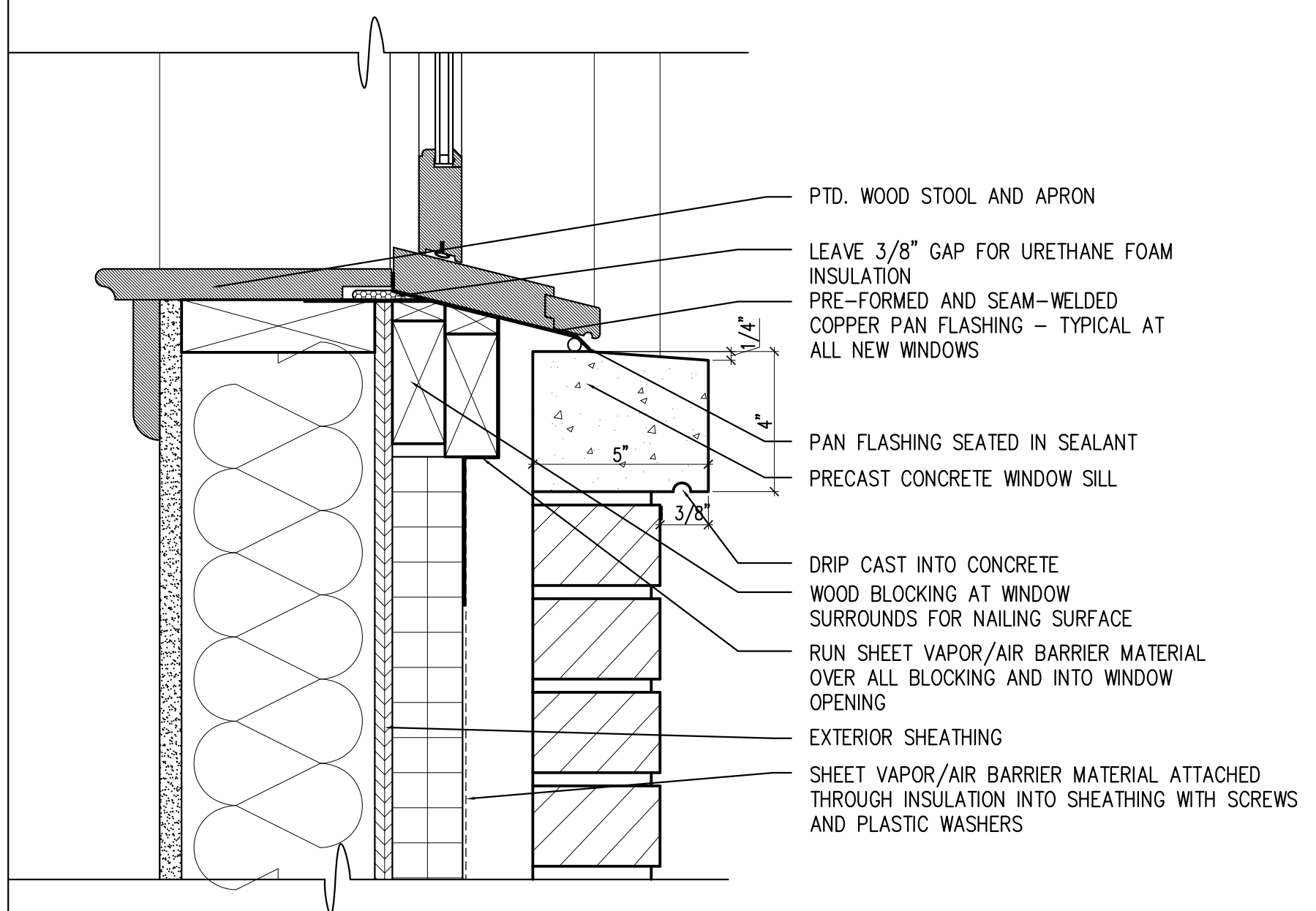
**05 HEAD DETAIL - NEW CONSTRUCTION**  
SCALE: 3" = 1'-0"



**06 JAMB DETAIL - NEW CONSTRUCTION**  
SCALE: 3" = 1'-0"



**07 SILL DETAIL - NEW CONSTRUCTION**  
SCALE: 3" = 1'-0"



**04 SILL DETAIL - DORMER WINDOW**  
SCALE: 3" = 1'-0"