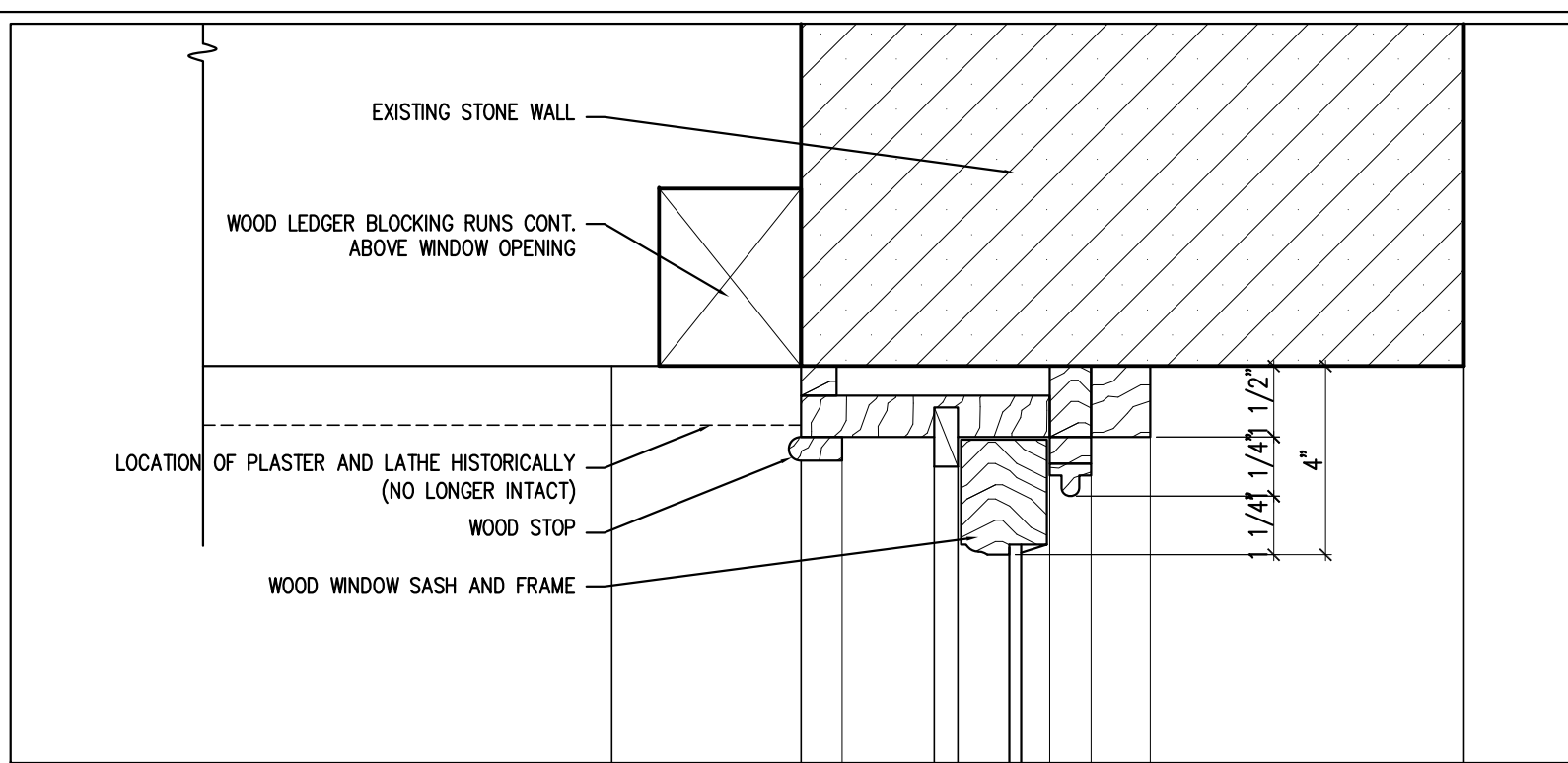
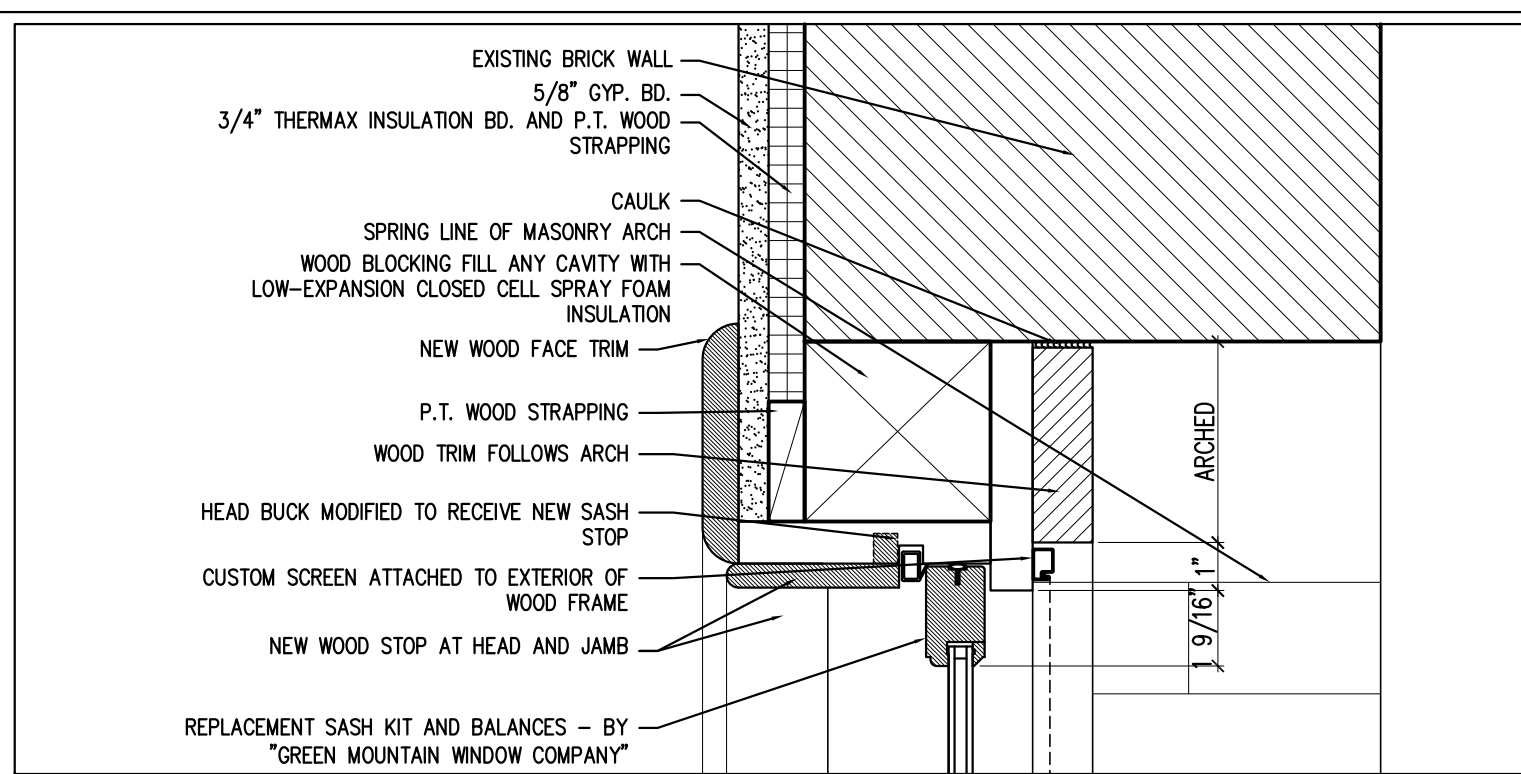


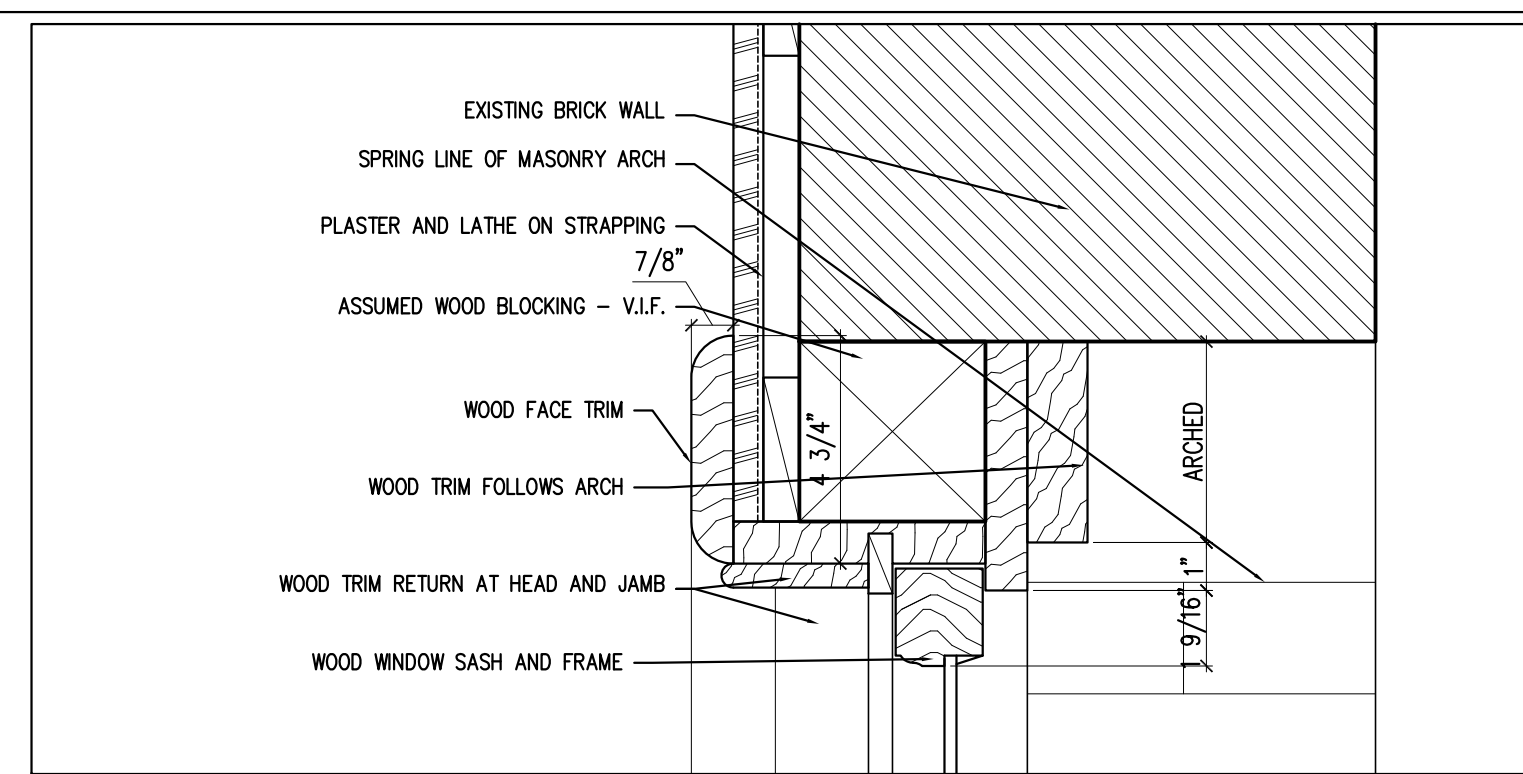
4E - WINDOW HEAD



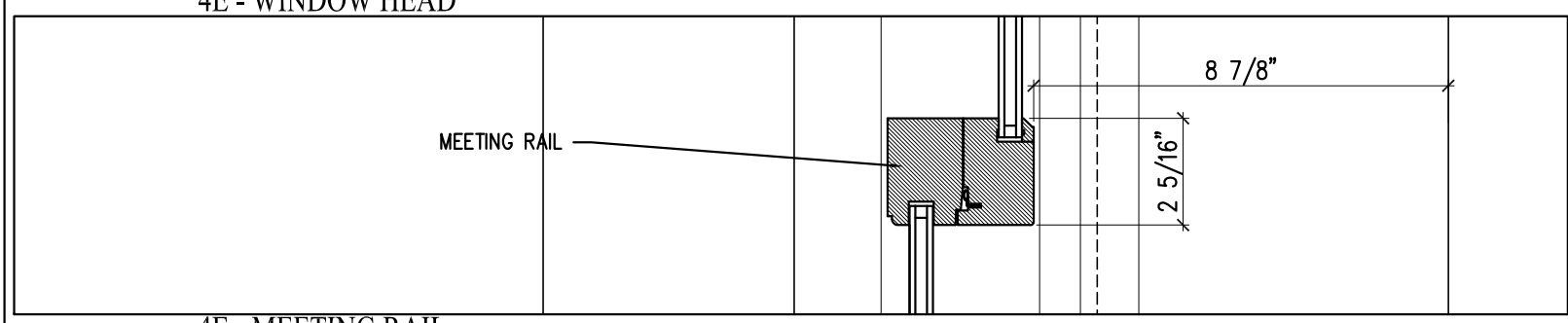
4E - WINDOW HEAD



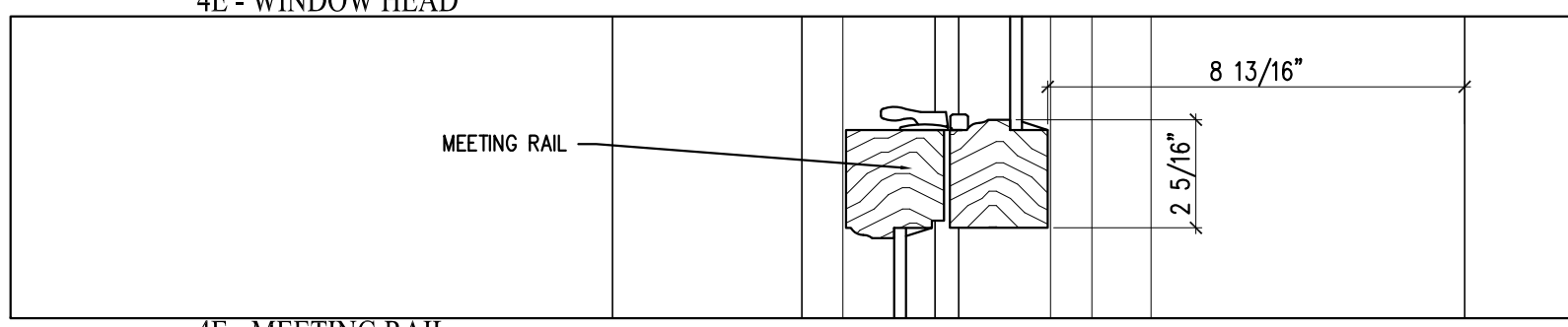
2E - WINDOW HEAD



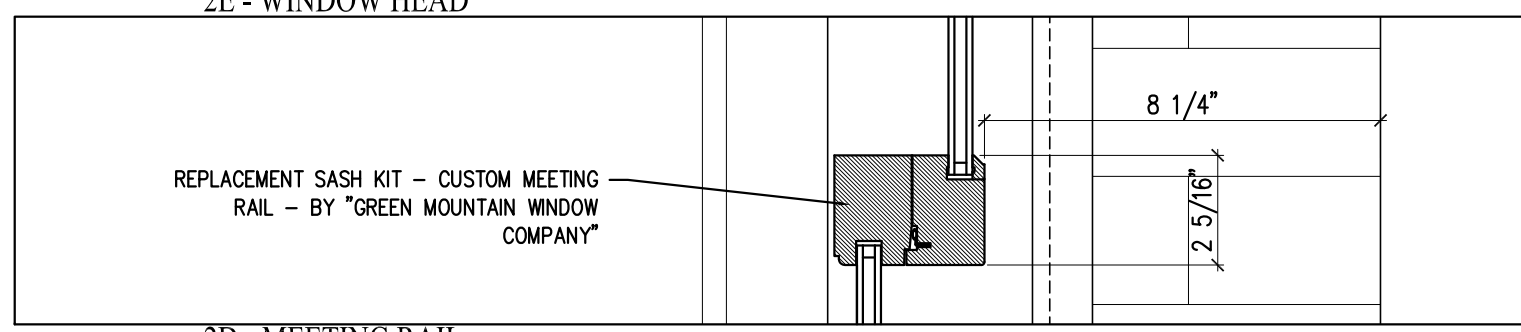
2E - WINDOW HEAD



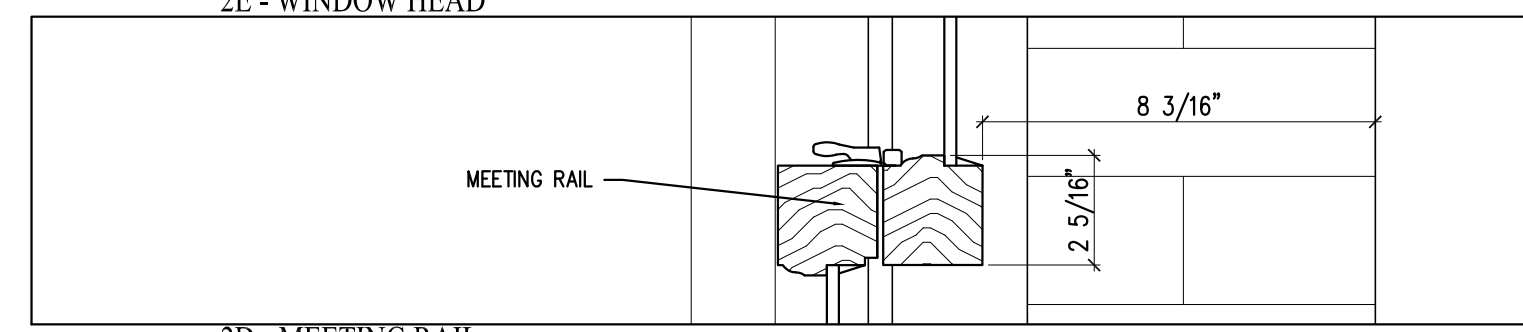
4E - MEETING RAIL



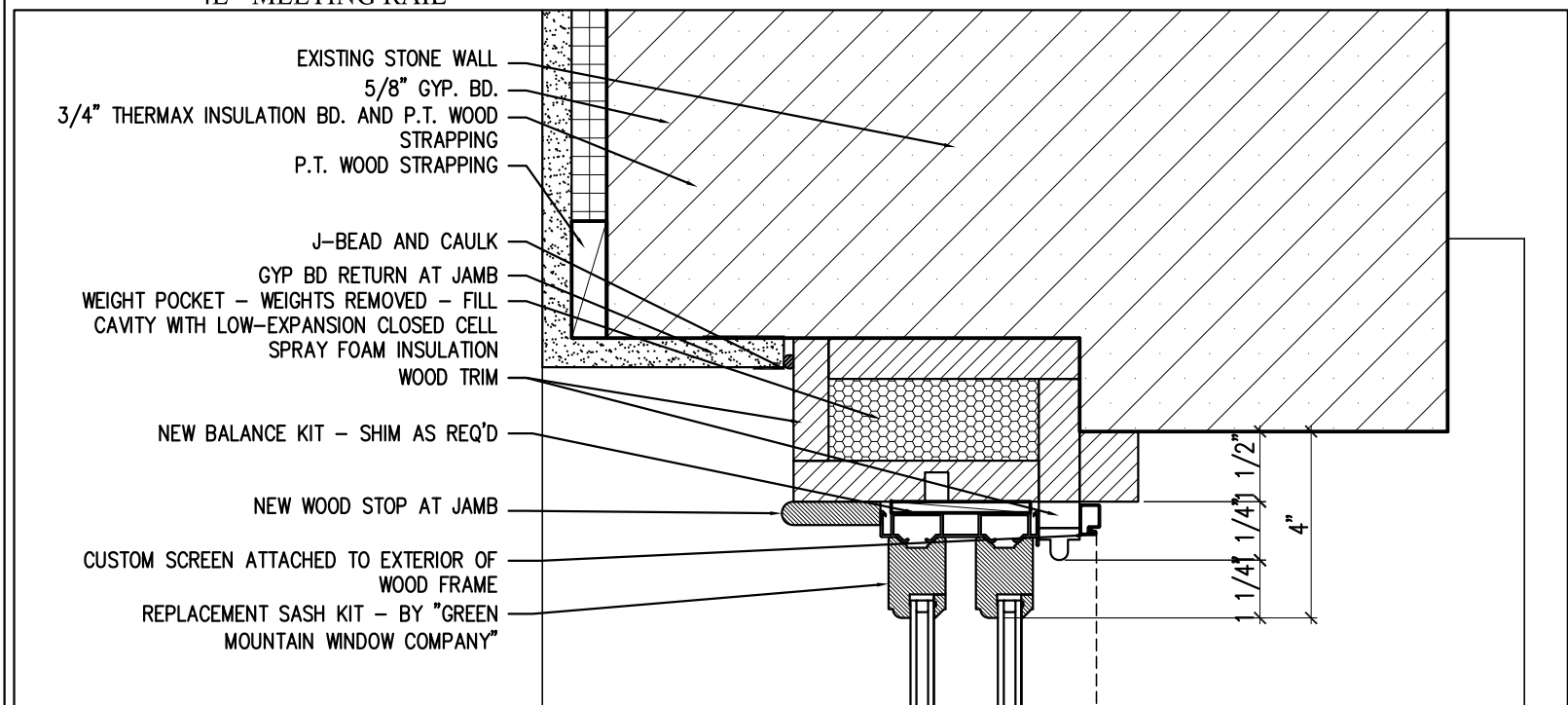
4E - MEETING RAIL



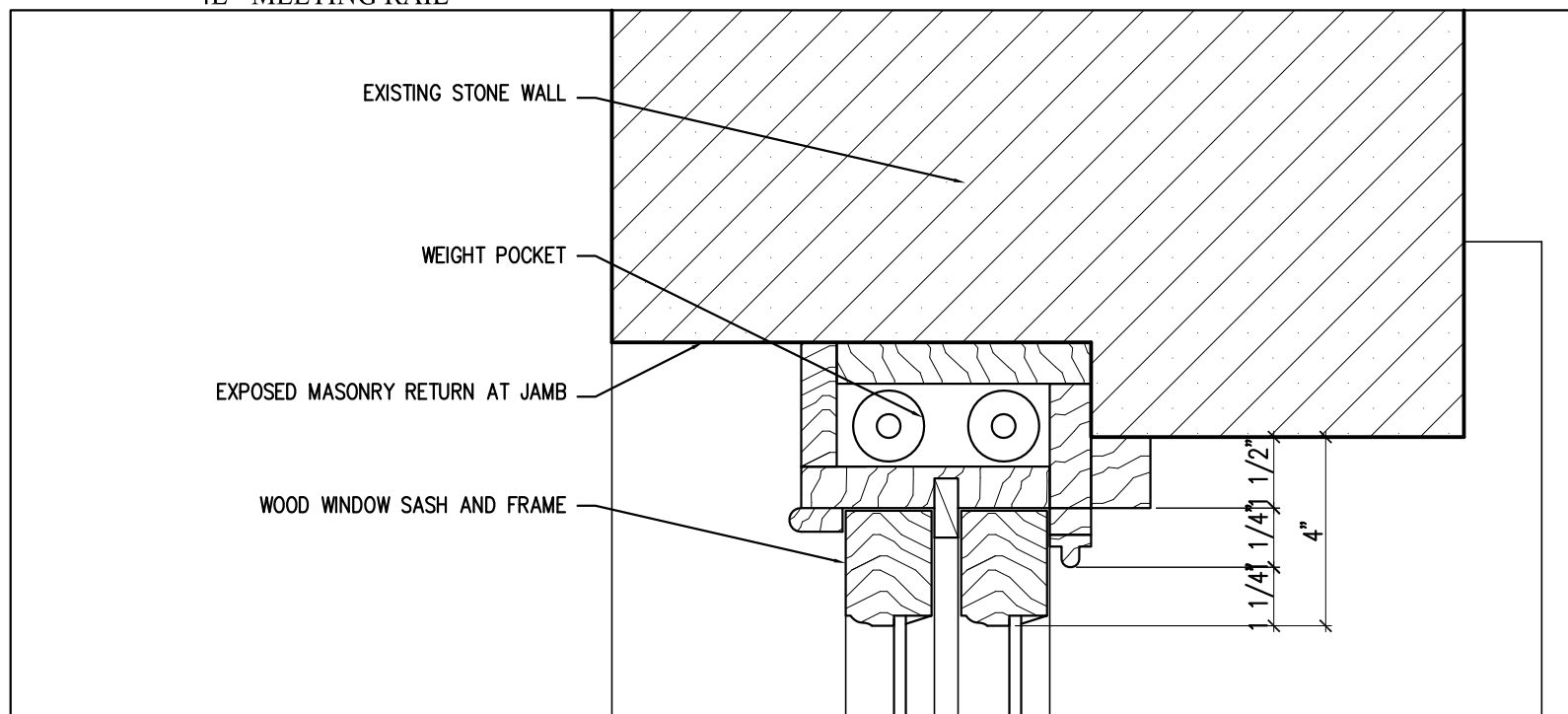
2D - MEETING RAIL



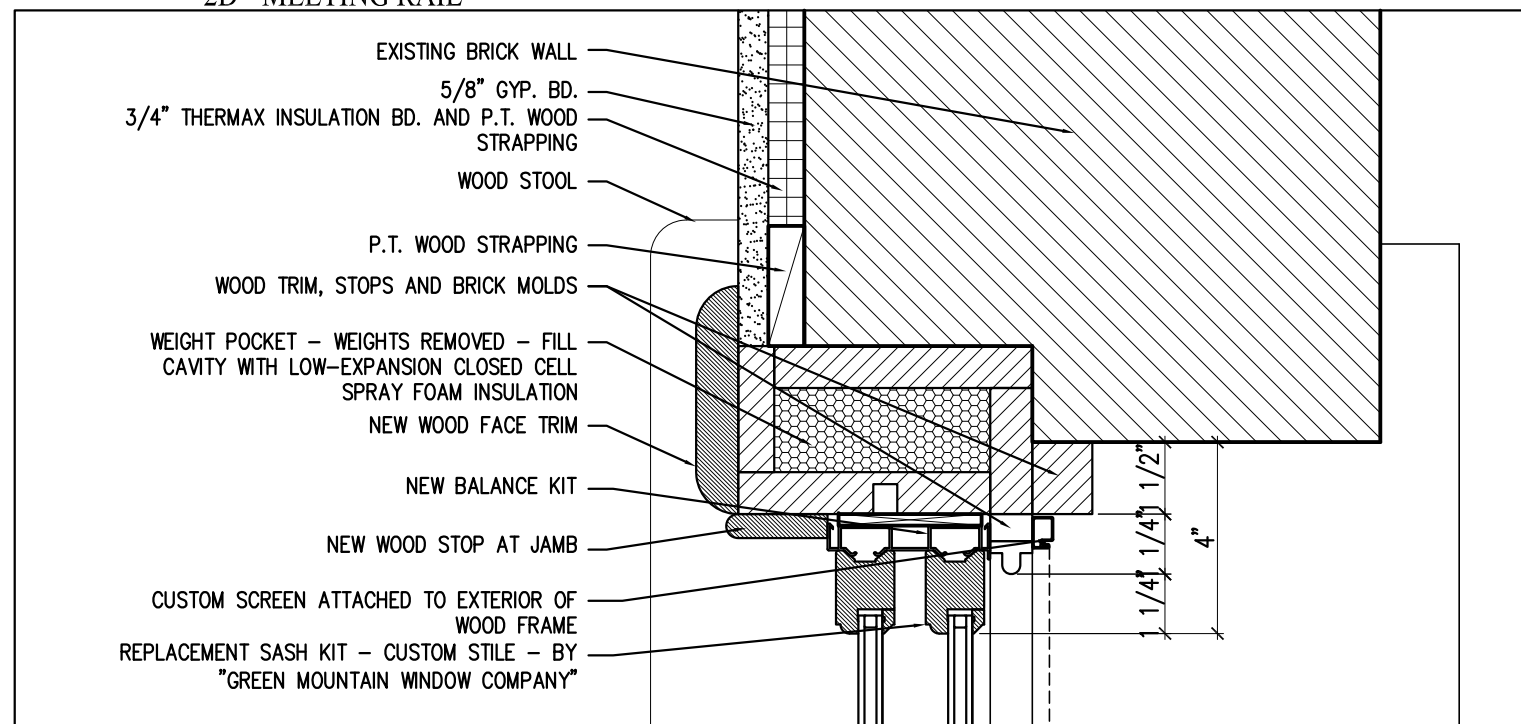
2D - MEETING RAIL



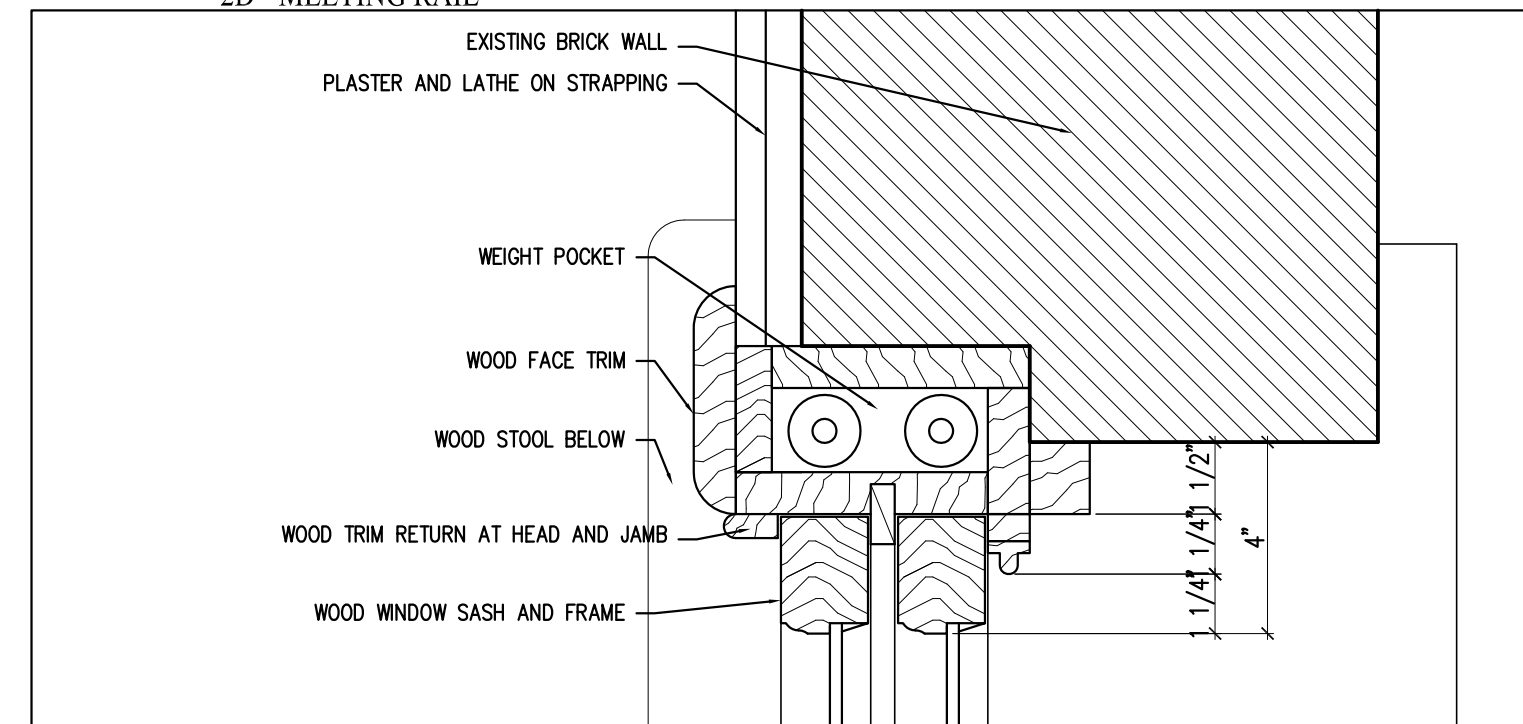
4C - JAMB



4C - JAMB



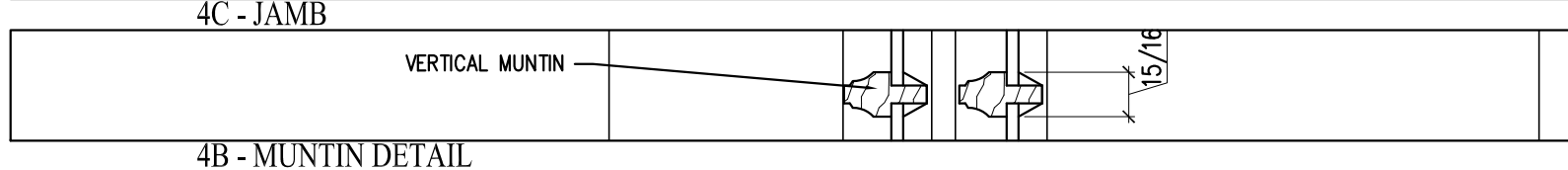
2C - JAMB



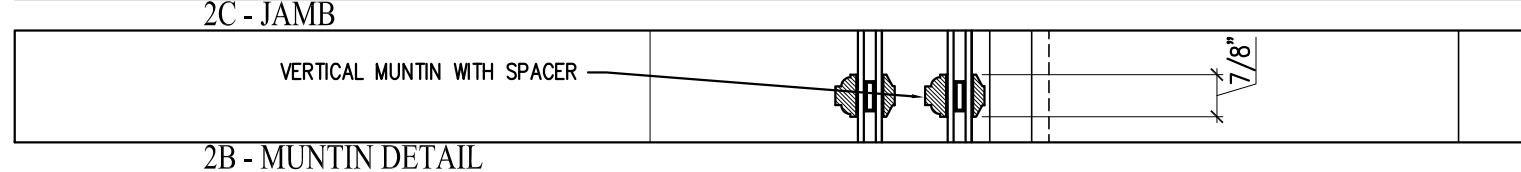
2C - JAMB



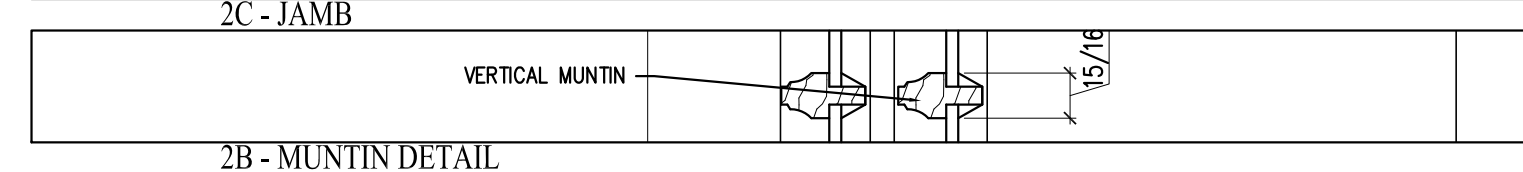
4B - MUNTIN DETAIL



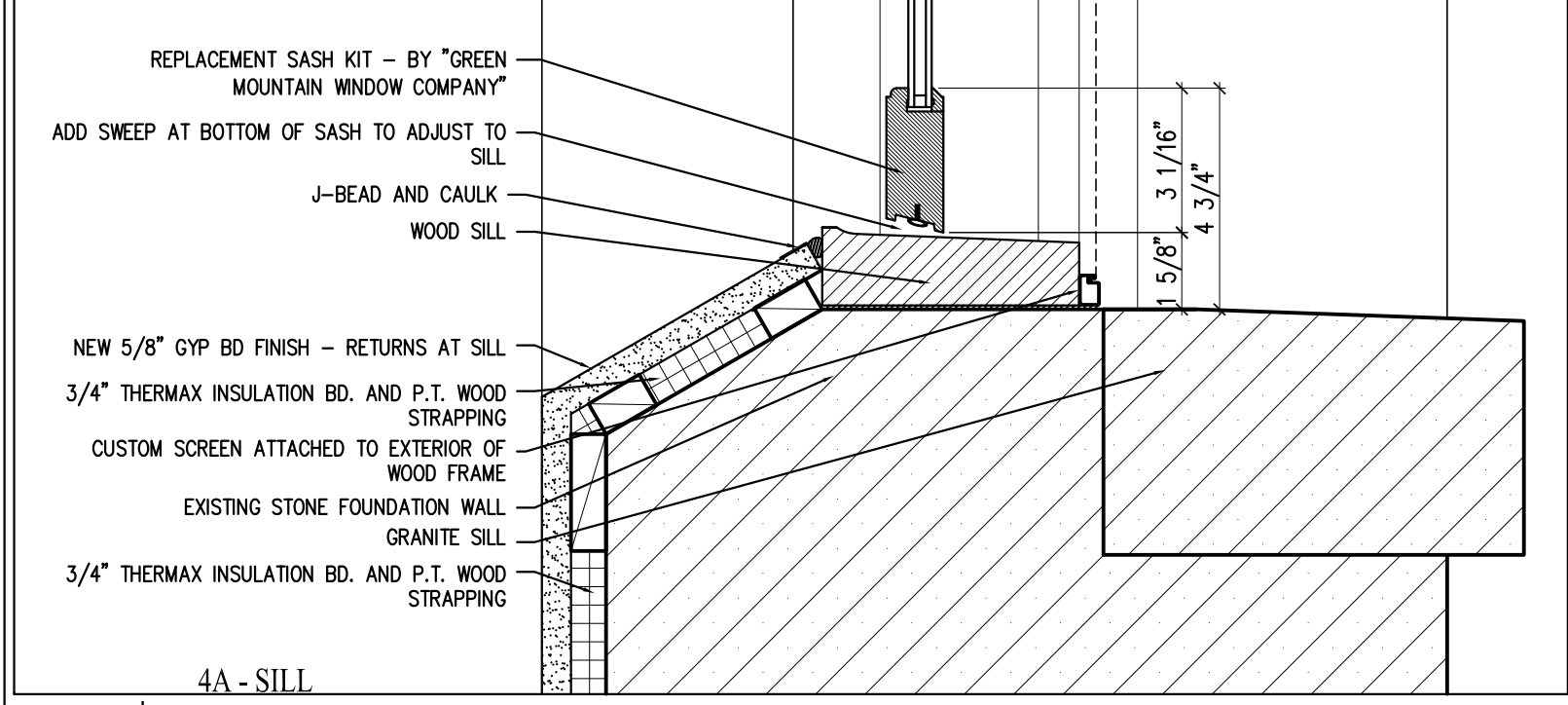
4B - MUNTIN DETAIL



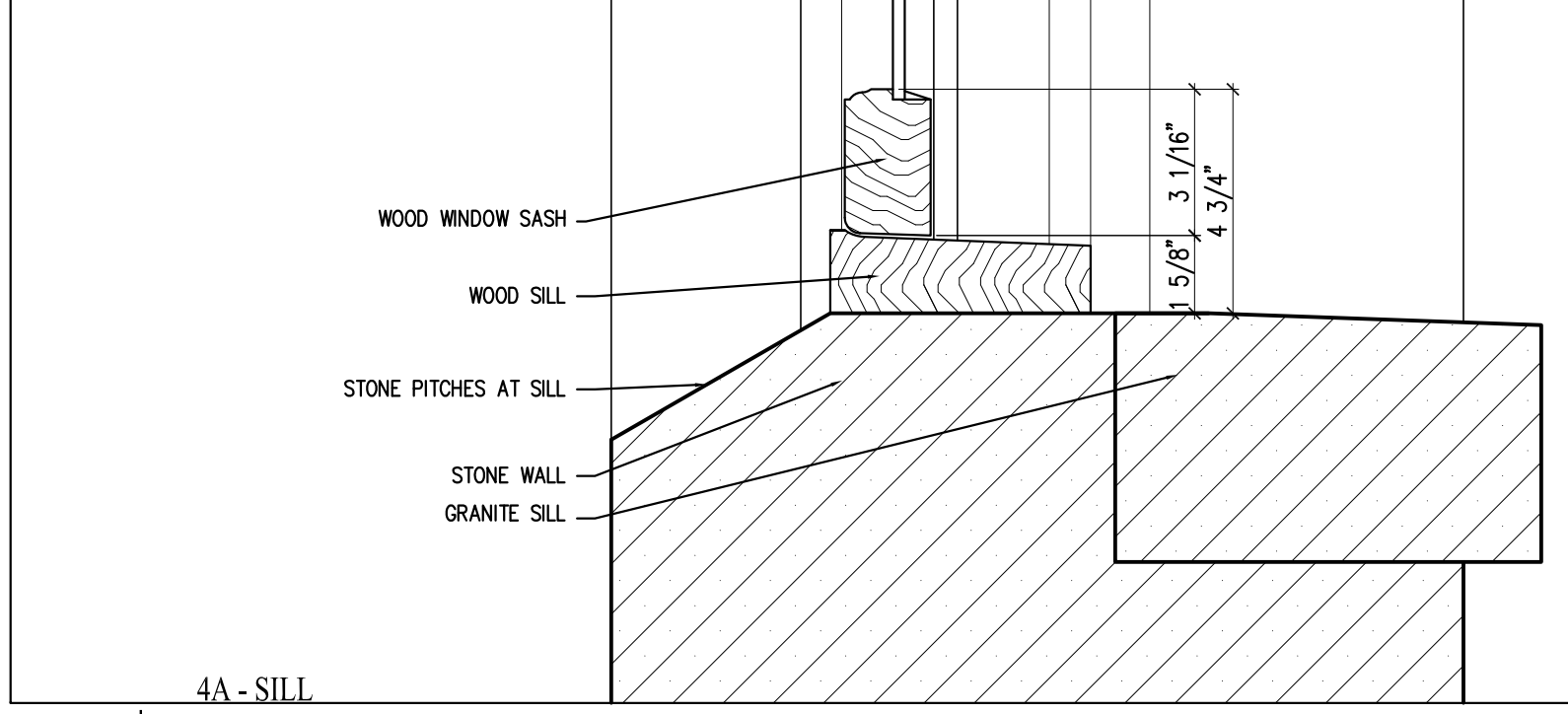
2B - MUNTIN DETAIL



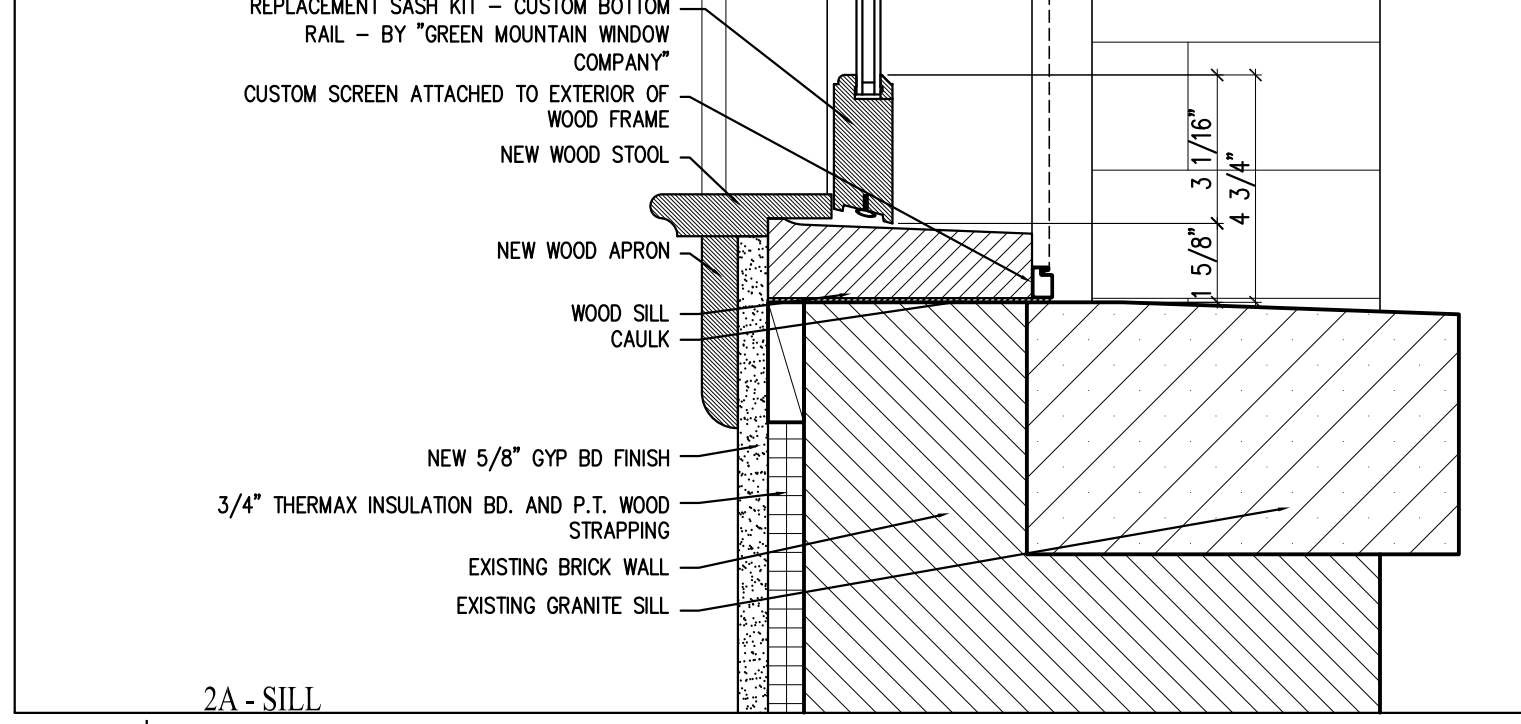
2B - MUNTIN DETAIL



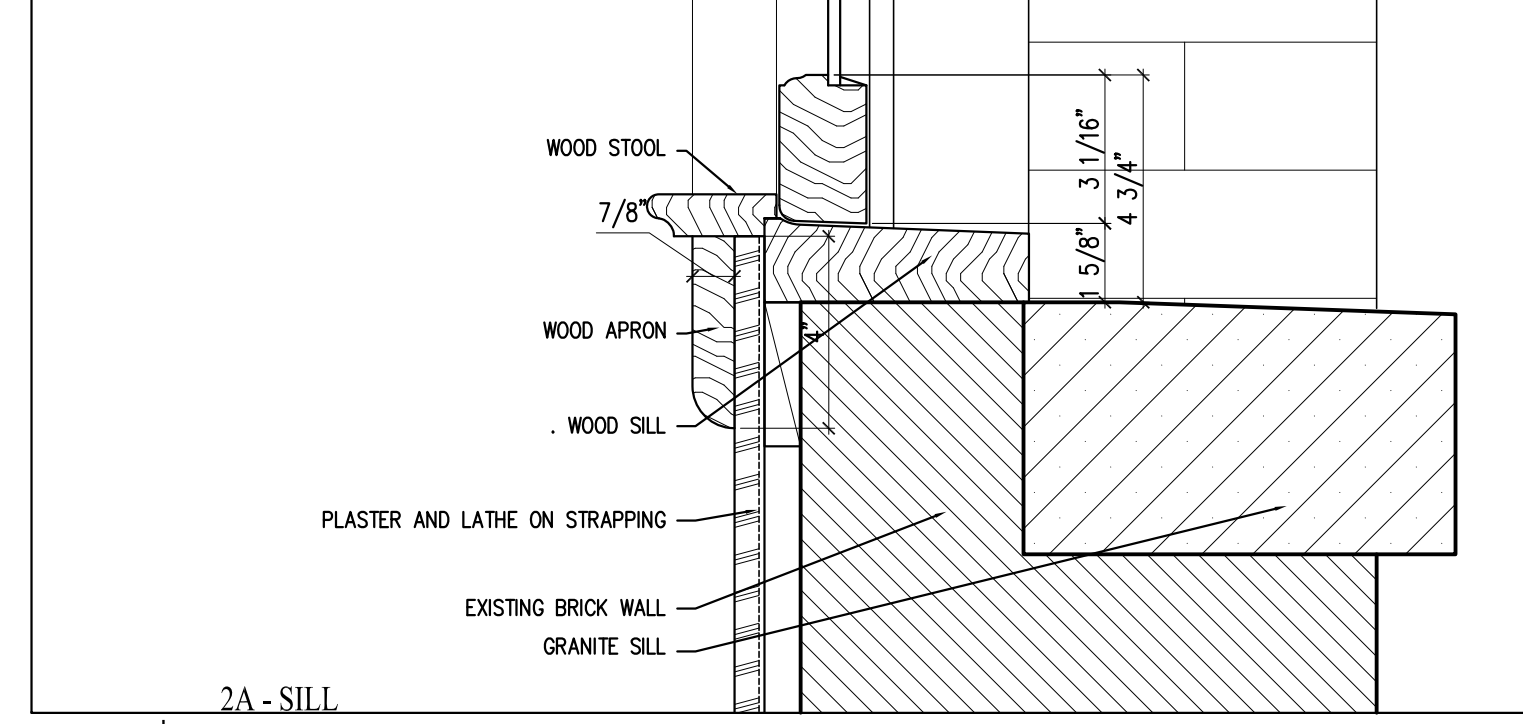
4A - SILL



4A - SILL



2A - SILL



2A - SILL

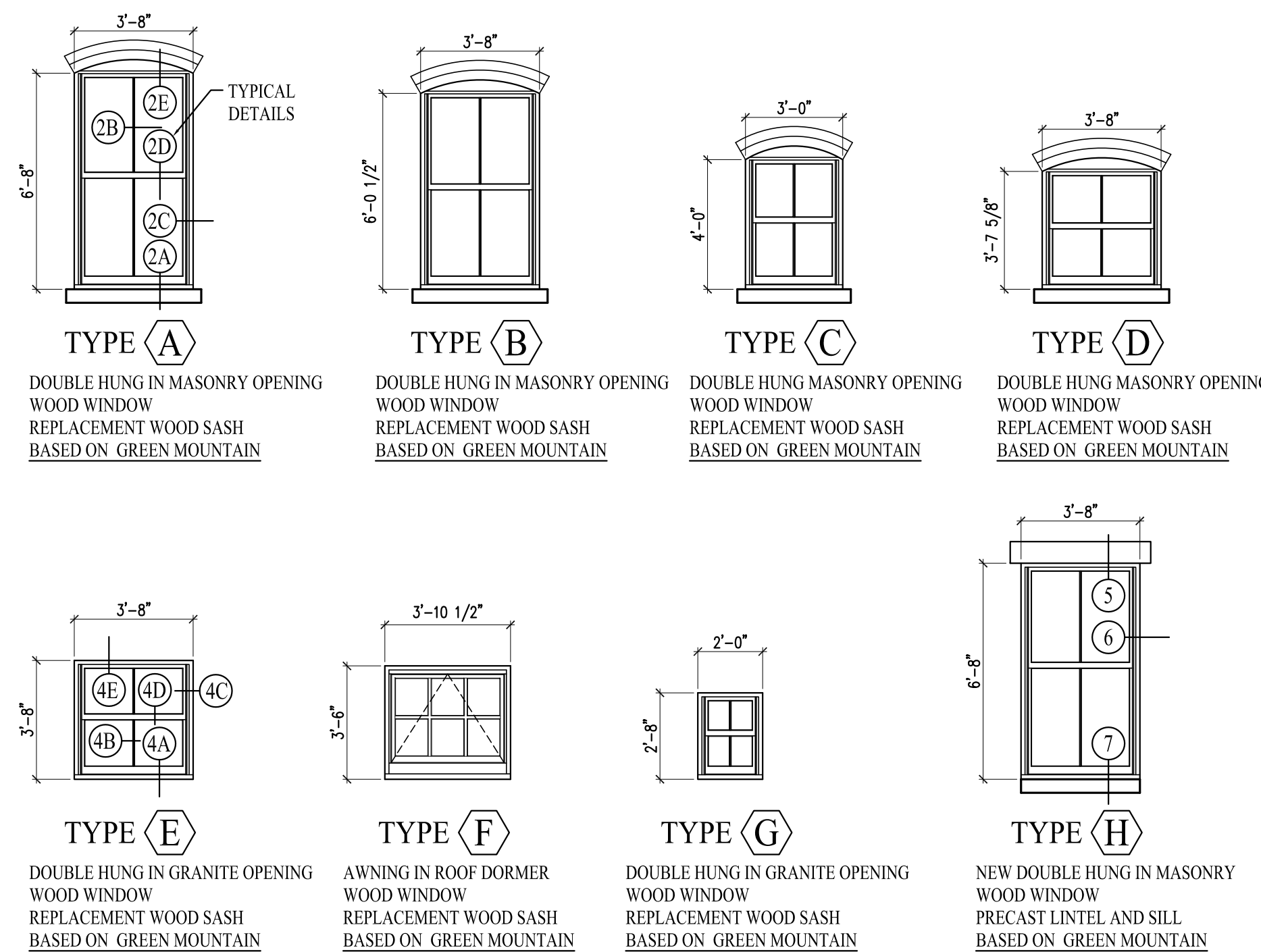
4 PROPOSED TYPE E WINDOW  
SCALE: 3"=1'-0"

3 ORIGINAL TYPE E WINDOW  
SCALE: 3"=1'-0"

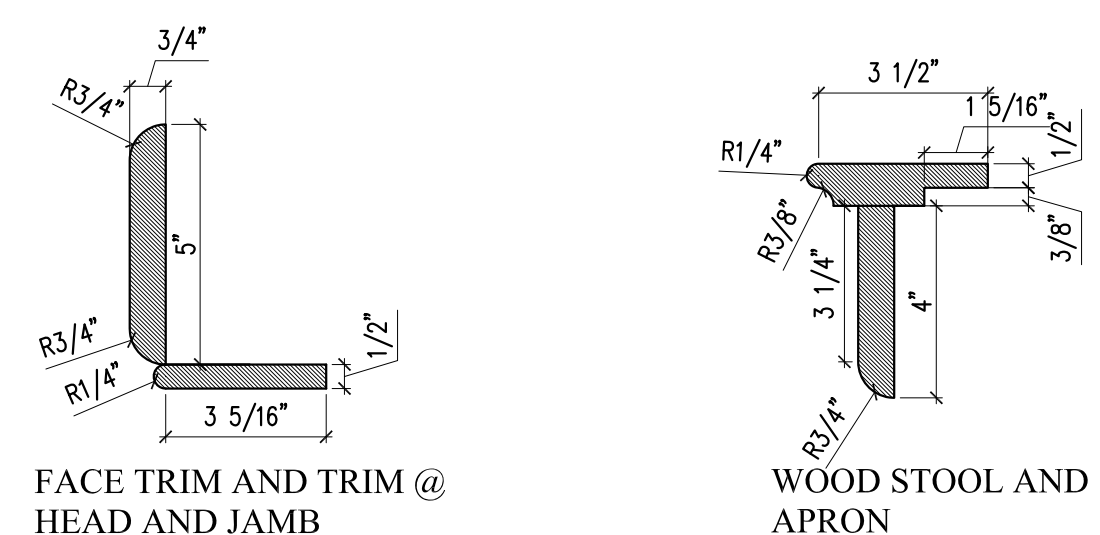
2 PROPOSED TYPE A WINDOW  
SCALE: 3"=1'-0"

1 ORIGINAL TYPE A WINDOW  
SCALE: 3"=1'-0"

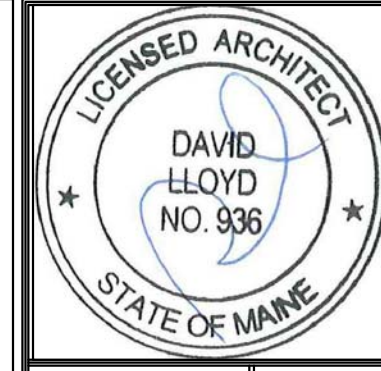
\* WINDOW SCHEDULE \*



- WINDOW NOTES:**
1. CUSTOM FULL-SCREENS
  2. BLOCK AND TACKLE BALANCES
  3. COPPERTONE HARDWARE
  4. CUSTOM PUTTY MUNTINS 2/2 SIMULATED DIVIDED LIGHTS WITH INTERNAL GRIDS
  5. INSULATE FRAME WITH CLOSED CELL LOW EXPANDING FOAM IN ALL GAPS AND WEIGHT POCKETS SHIM AND INSTALL NEW WINDOW
  6. CAULK IN MATCHING COLOR
  7. ALL DIMENSIONS GIVEN ARE TO M.O. UNLESS NOTED OTHERWISE AND SHALL BE FIELD VERIFIED PRIOR TO ANY FABRICATION



5 PROPOSED TYPE A WINDOW TRIM  
SCALE: 3"=1'-0"



Prepared For:  
**The Inn at Diamond Cove, LLC.**  
PO BOX 3572  
PORTLAND, ME 04101

Interior Designer:  
**truexcellins INTERIORS**  
209 BATTERY STREET BURLINGTON, VERMONT 05401 USA  
Phone 802.656.2775 800.227.1076  
ARCHITECTURE | INTERIOR DESIGN | truexcellins.com

Architect:  
**ARCHETYPE architects**  
48 Union Wharf Portland, Maine 04101  
(207) 772-6022 Fax (207) 772-4056

Project:  
**THE INN AT DIAMOND COVE, LLC**  
McKINLEY COURT  
GREAT DIAMOND ISLAND, MAINE

Revisions:  
Issued for Construction 03 Feb 14

Date: 03 Feb 2014  
Scale: VARIES

WINDOW DETAILS

A5.10