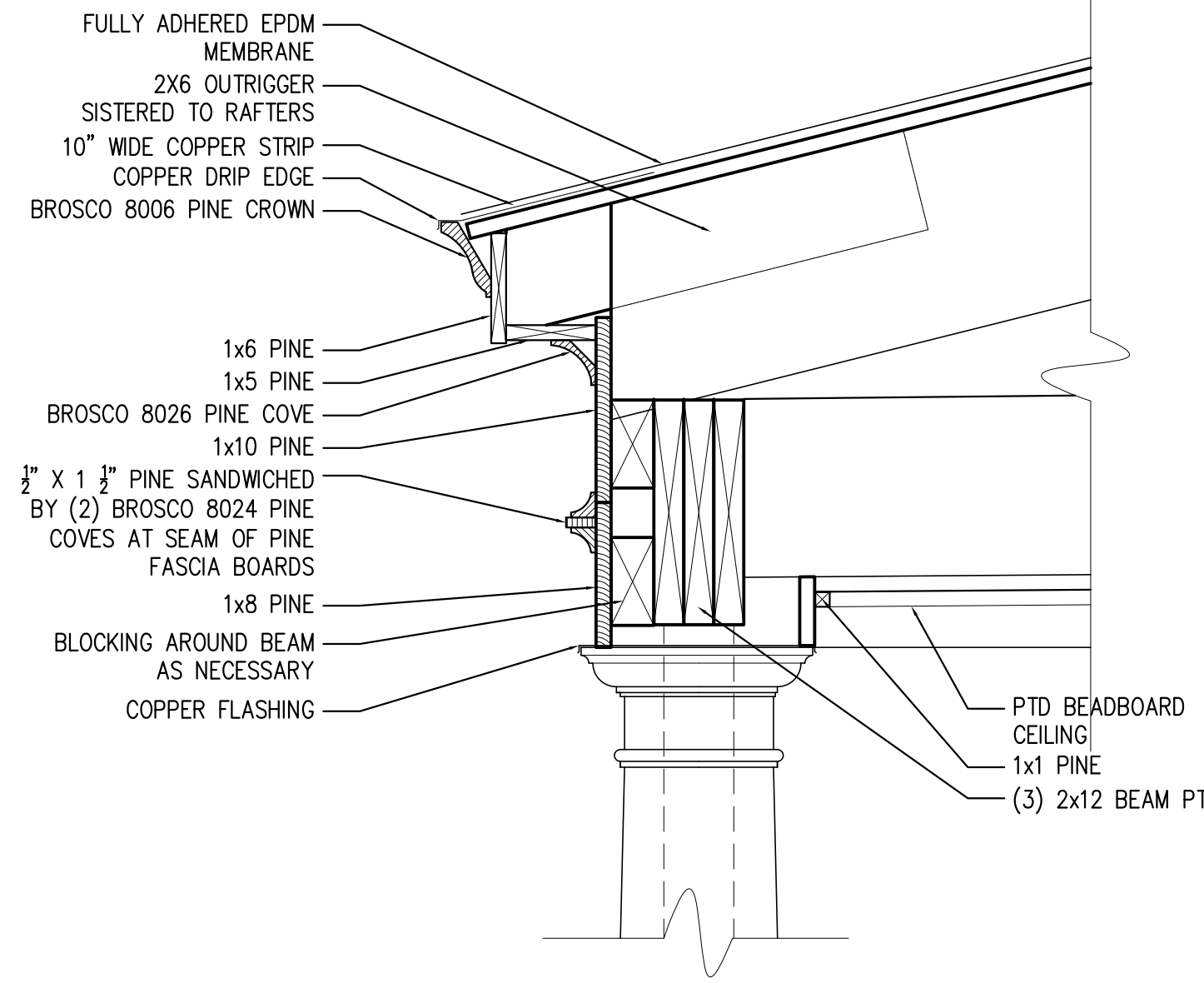


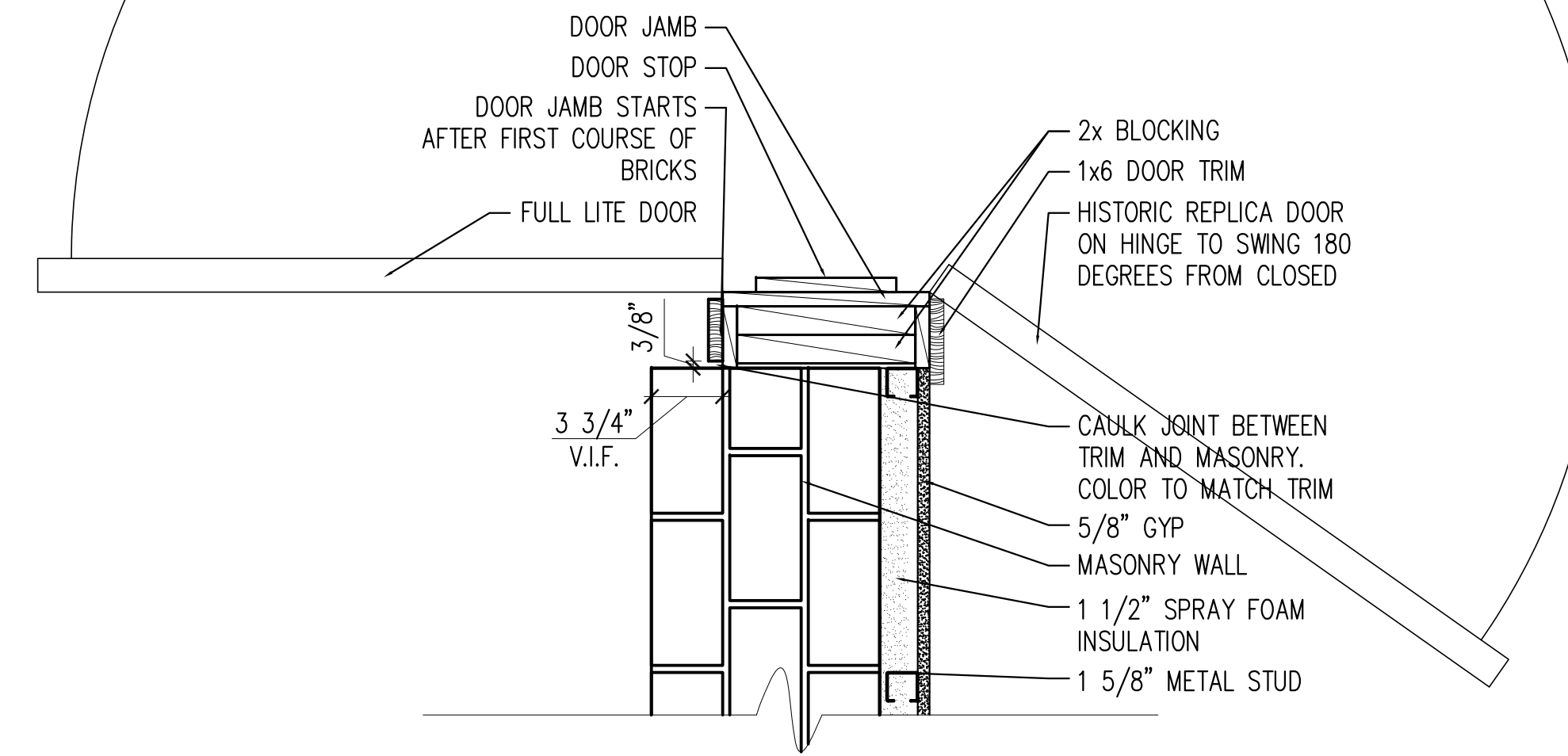
09 ADA ROLL IN SHOWER FLOOR DETAIL

SCALE: 6"=1'-0"



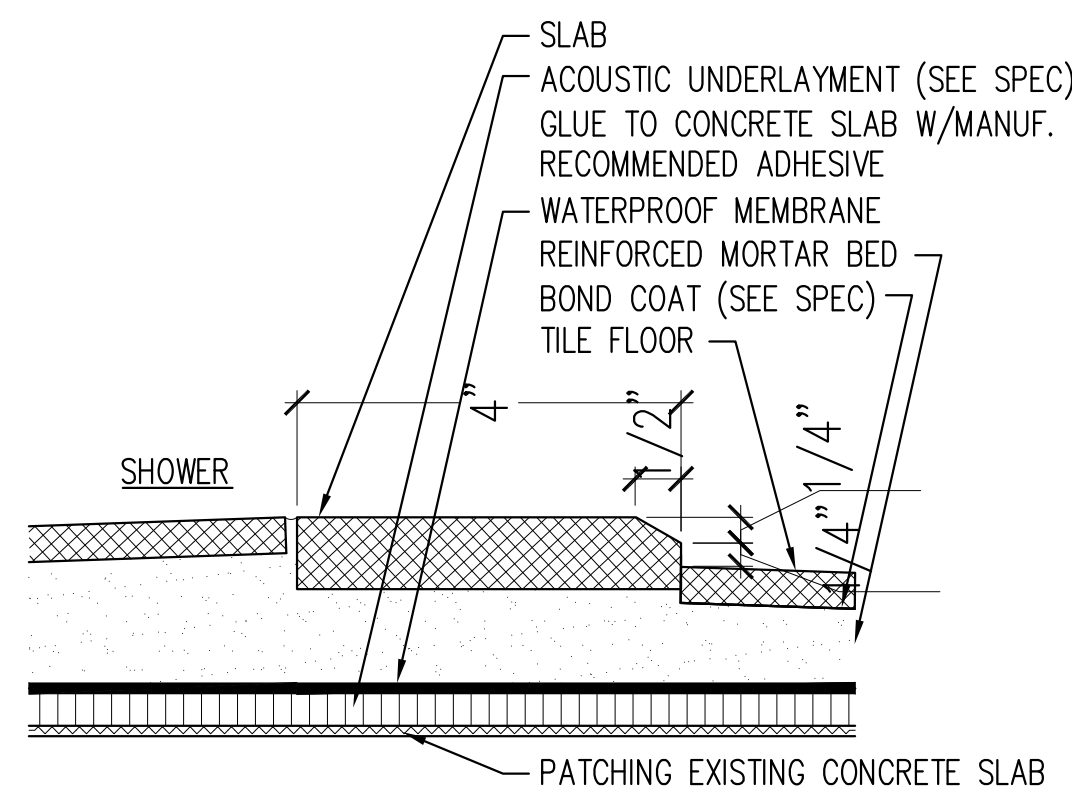
06 PORCH ROOF DETAIL

SCALE: 1 1/2"=1'-0"



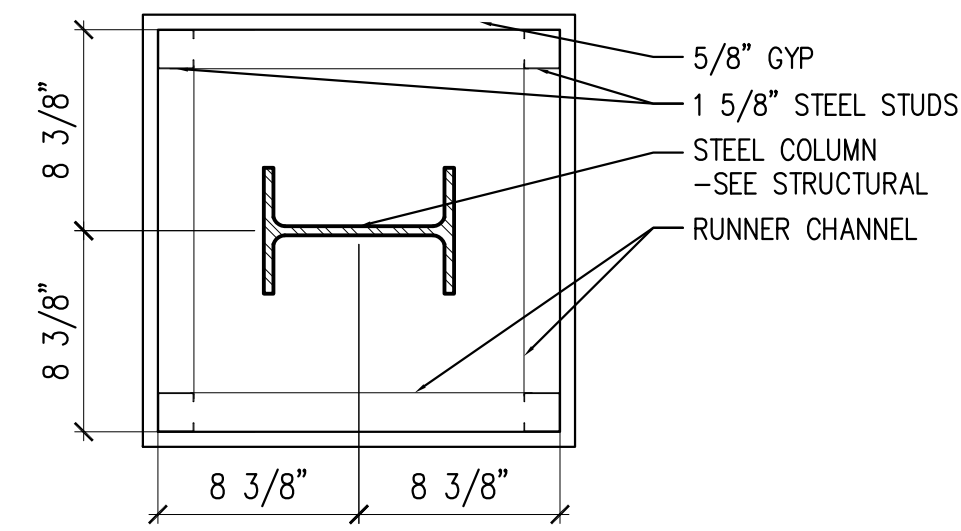
01 DOOR JAMB DETAIL

SCALE: 1 1/2"=1'-0"



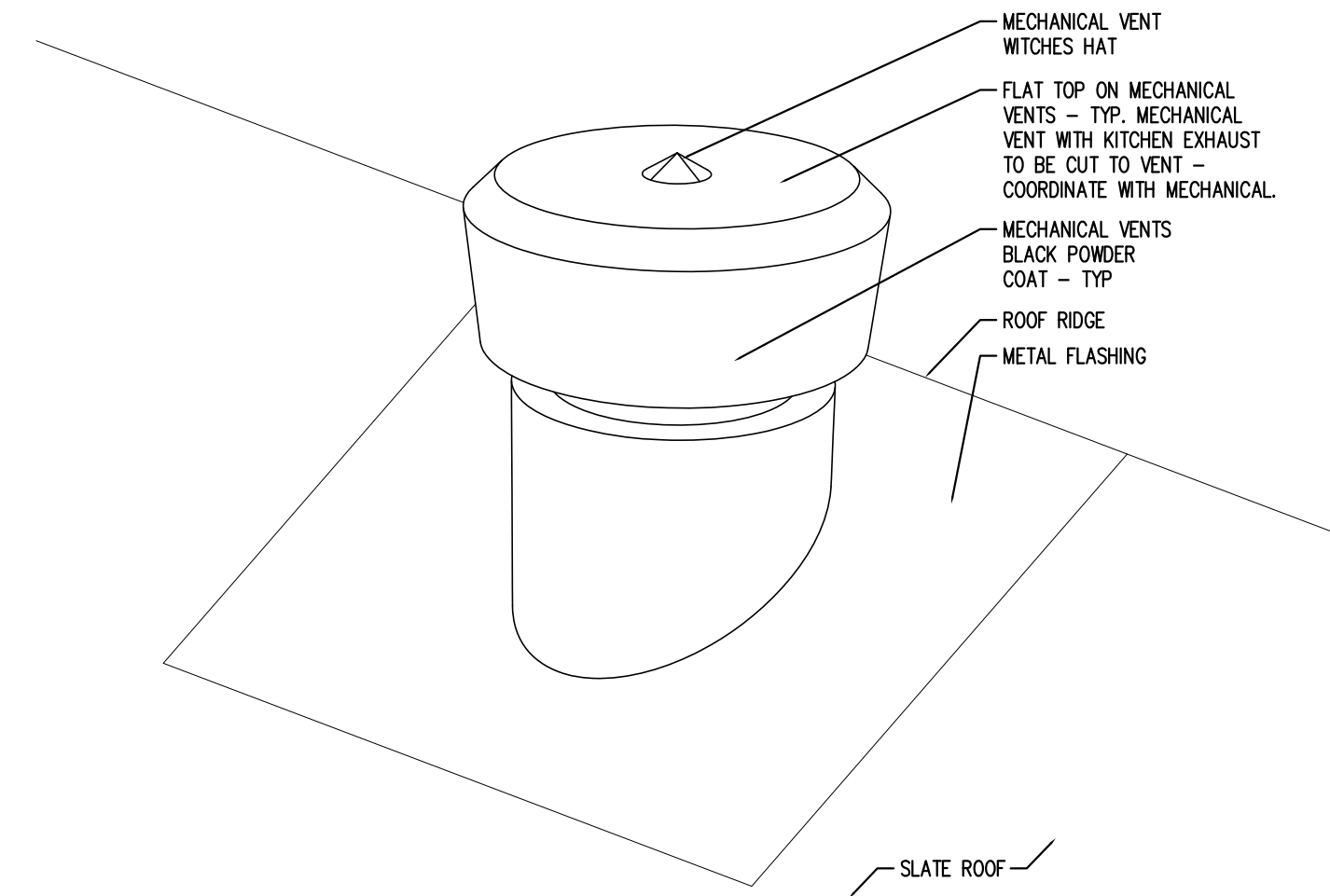
10 ADA ROLL IN SHOWER CURB DETAIL

SCALE: 6"=1'-0"



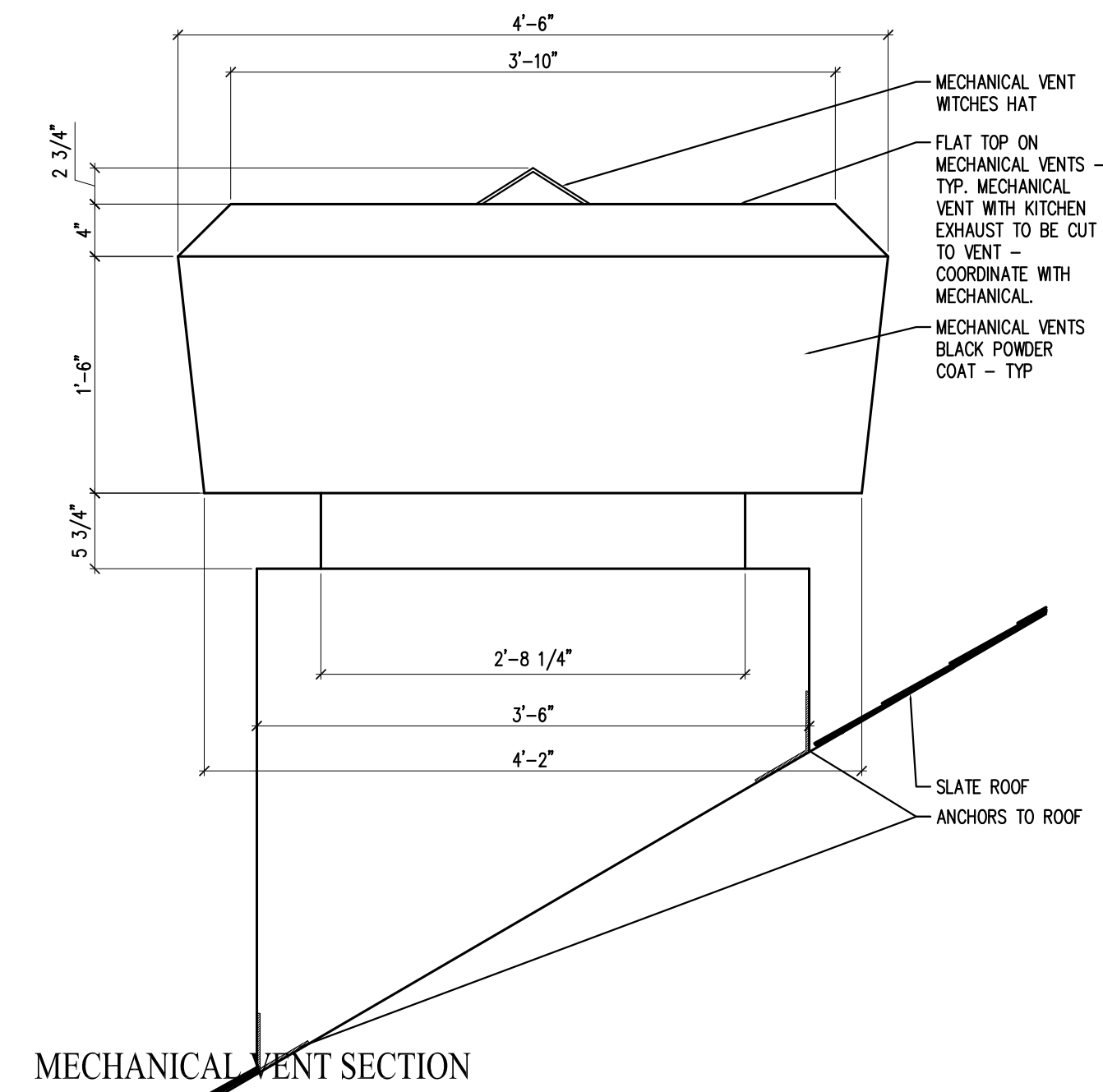
07 LOBBY COLUMN DETAIL

SCALE: 1 1/2"=1'-0"



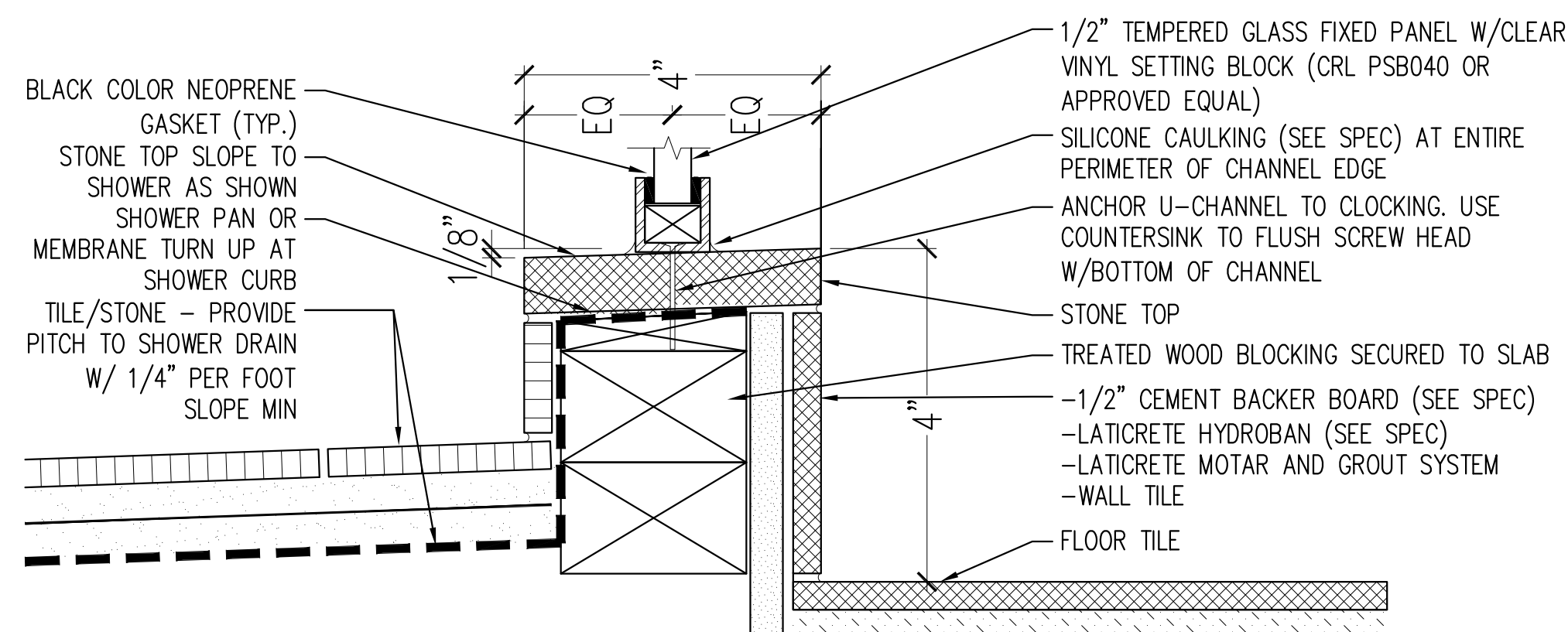
04 MECHANICAL VENT PERSPECTIVE

SCALE: 1"=1'-0"



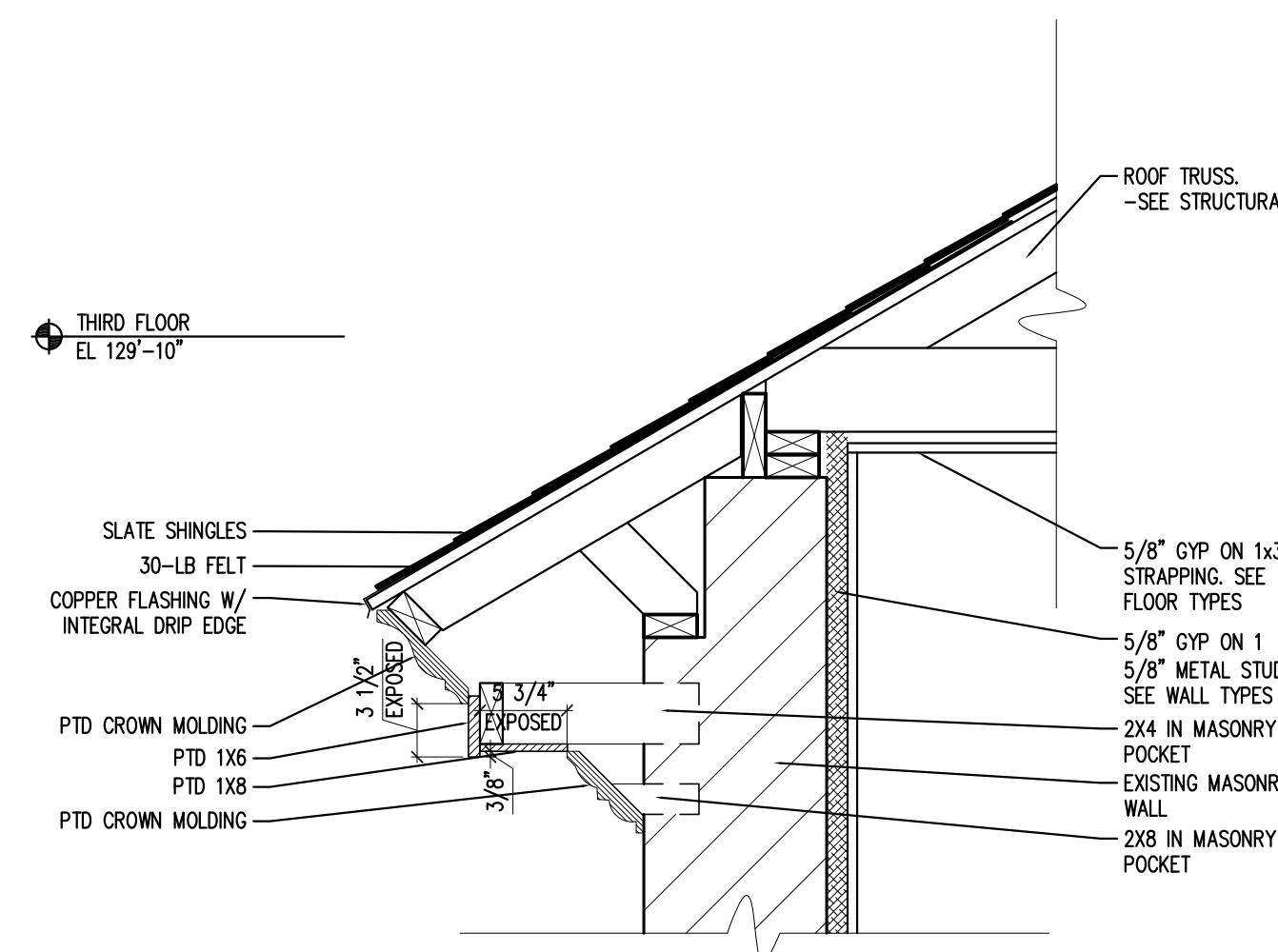
02 MECHANICAL VENT SECTION

SCALE: 1"=1'-0"



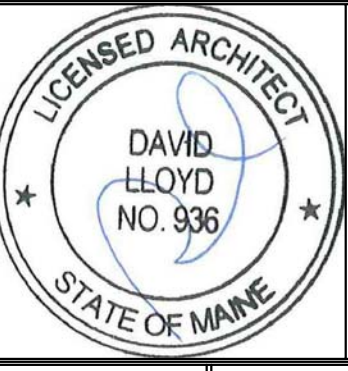
08 SHOWER CURB DETAIL

SCALE: 6"=1'-0"



03 MECHANICAL VENT SECTION

SCALE: 1"=1'-0"



Prepared For:  
The Inn at Diamond Cove, LLC.  
PO BOX 3572  
PORTLAND, ME 04101

Interior Designer:  
truexcellins INTERIORS  
298 BATTERY STREET BURLINGTON, VERMONT 05401 USA  
Phone 802.658.2775 • 800.227.1076  
ARCHITECTURE | INTERIOR DESIGN | truexcellins.com

Architect:  
ARCHETYPE architects  
48 Union Wharf Portland, Maine 04101  
(207) 772-6022 Fax (207) 772-4056

Project:  
THE INN AT DIAMOND COVE, LLC  
MCKINLEY COURT  
GREAT DIAMOND ISLAND, MAINE

Revisions:  
Issued for Construction 03 Feb 14

Date:  
03 Feb 2014

Scale:  
1/8" = 1'-0"

DETAILS

A5.02