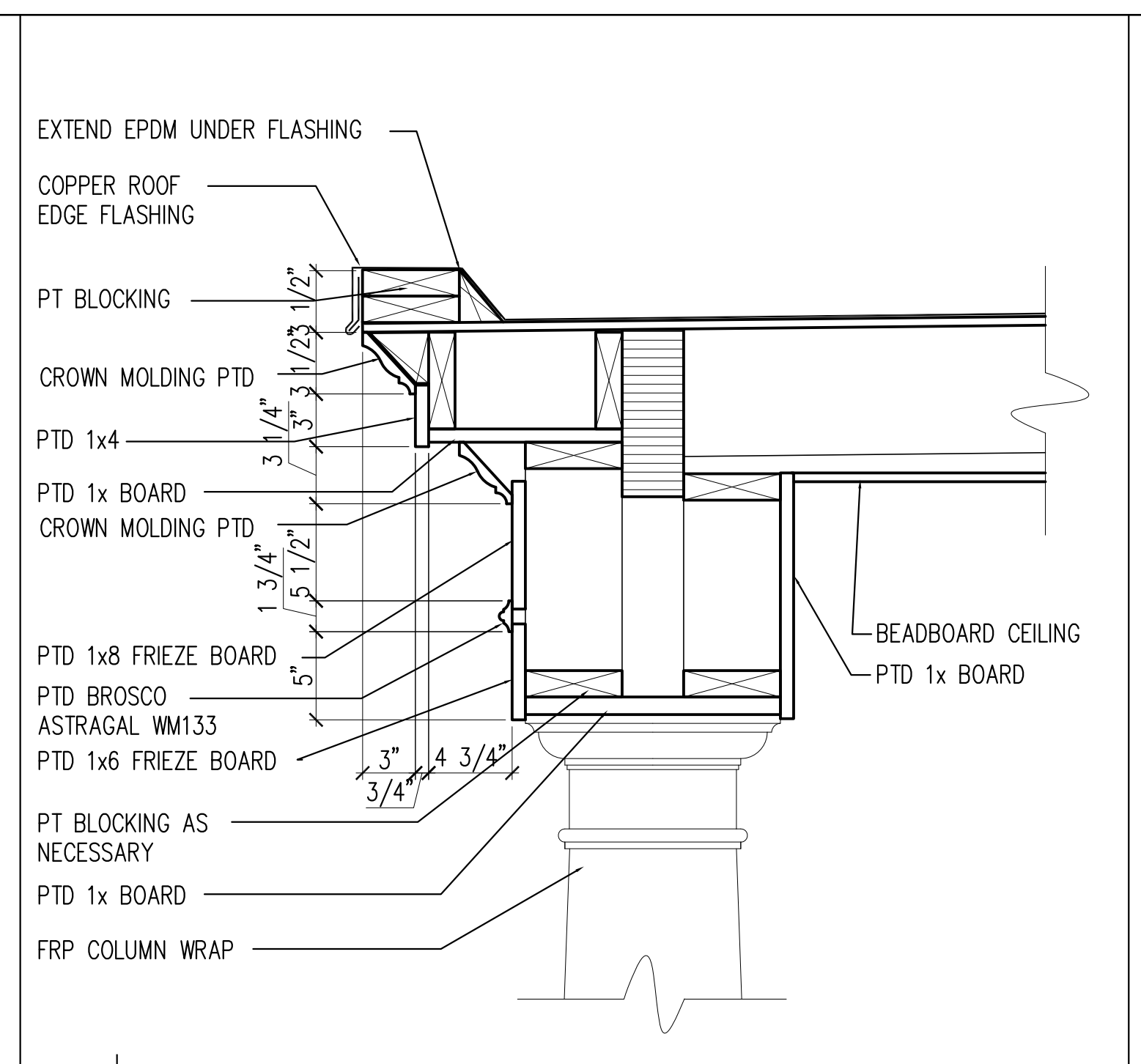
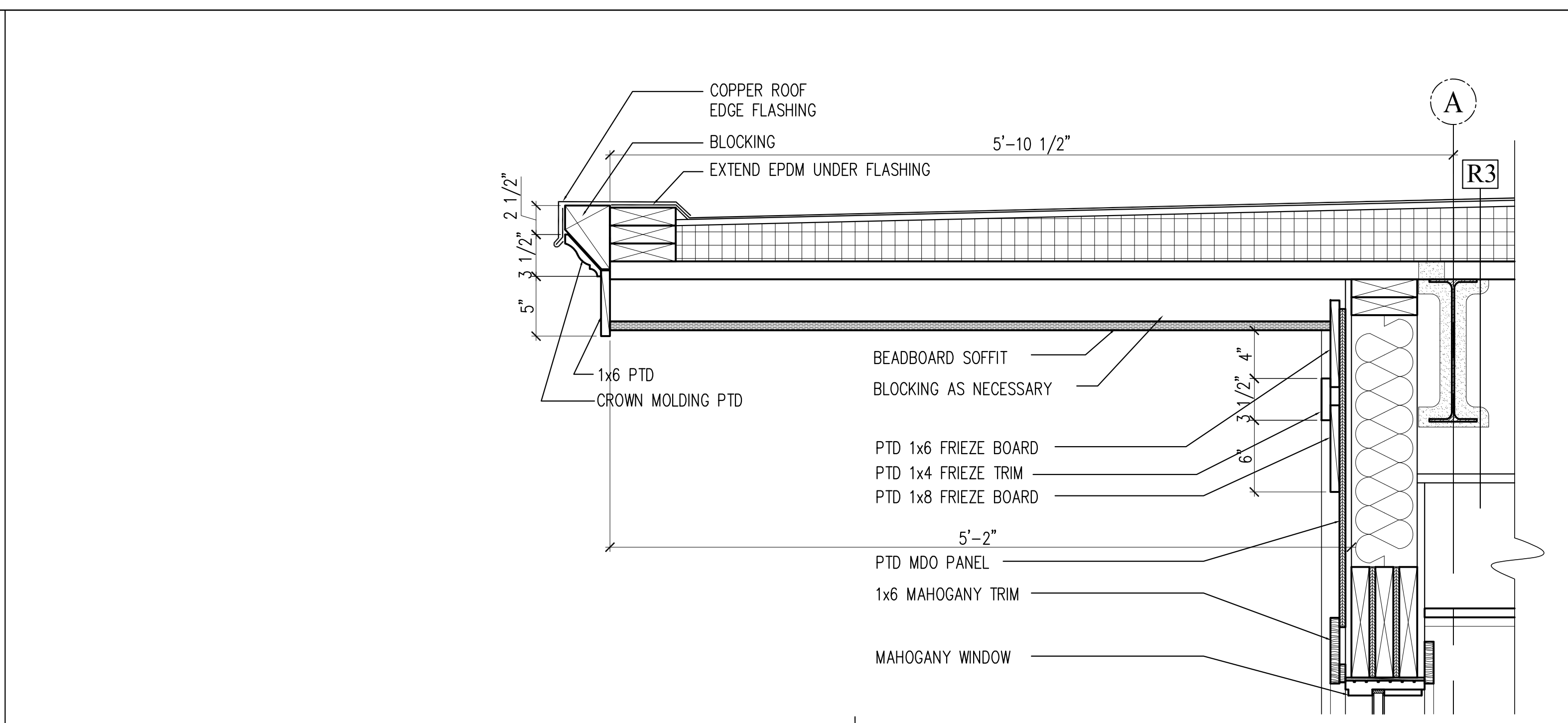


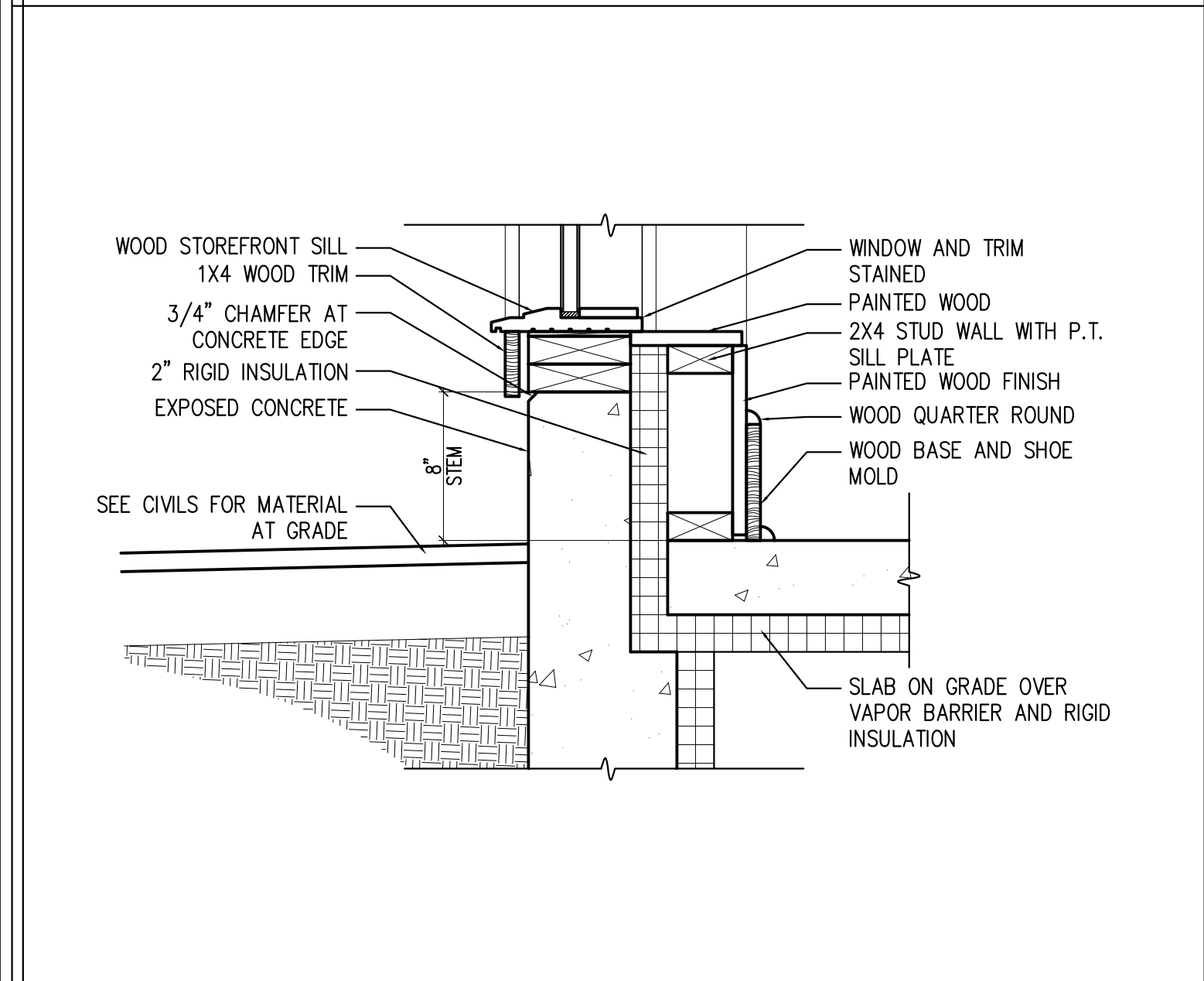
9 PORCH DECK DETAIL
SCALE: 1 1/2"=1'-0"



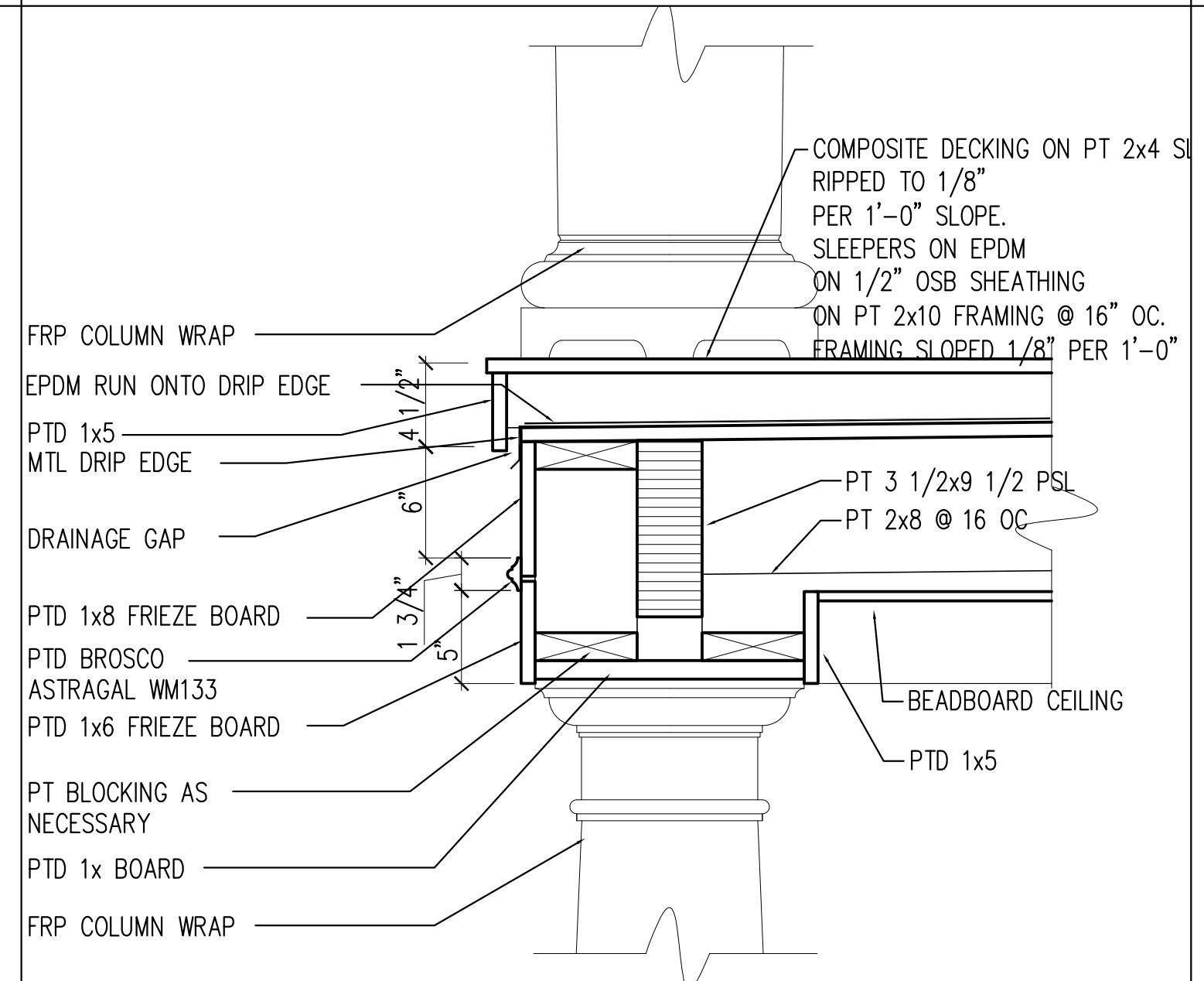
06 BALCONY ROOF DETAIL
SCALE: 1 1/2"=1'-0"



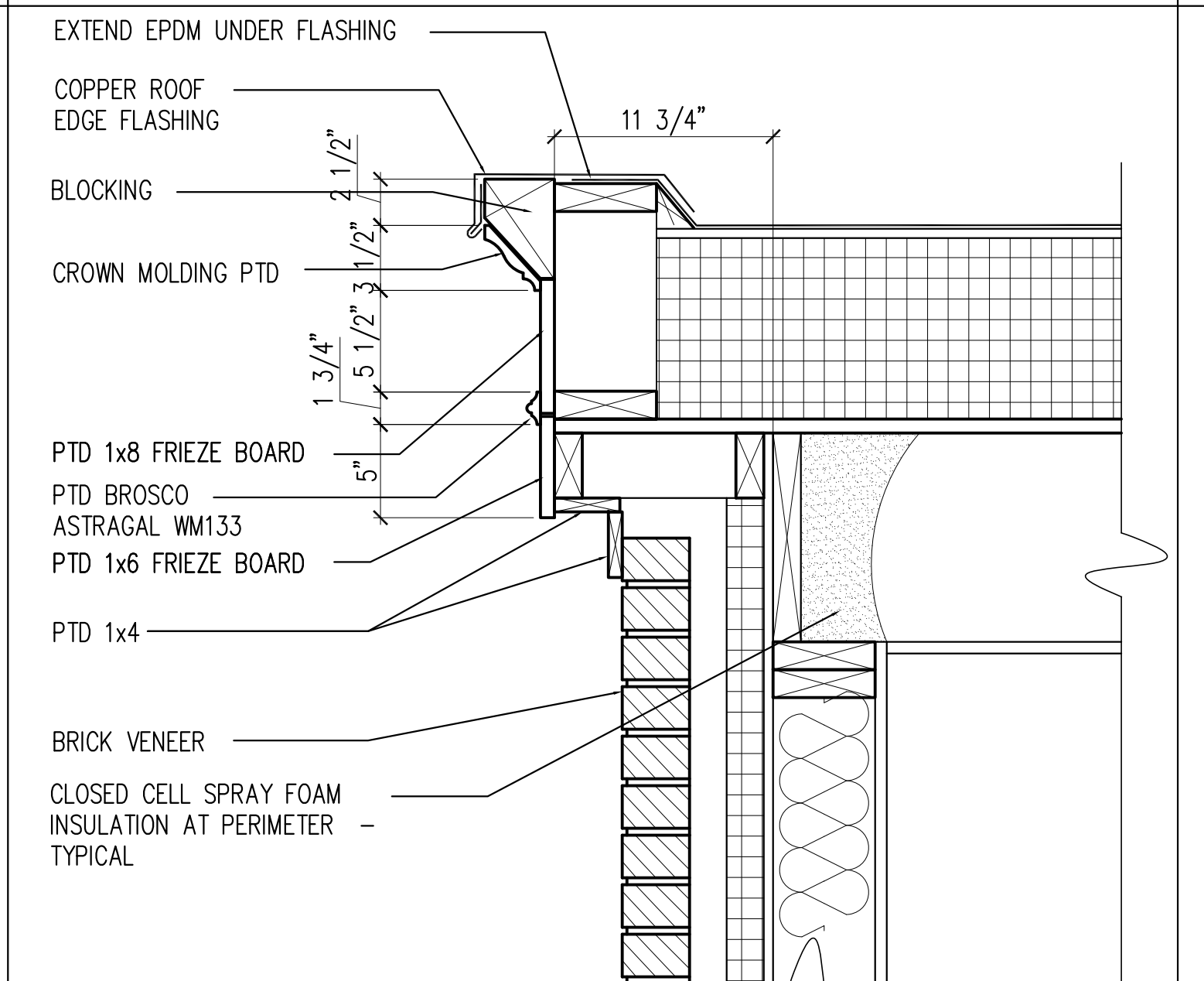
01 EAVE/WALL DETAIL
SCALE: 1 1/2"=1'-0"



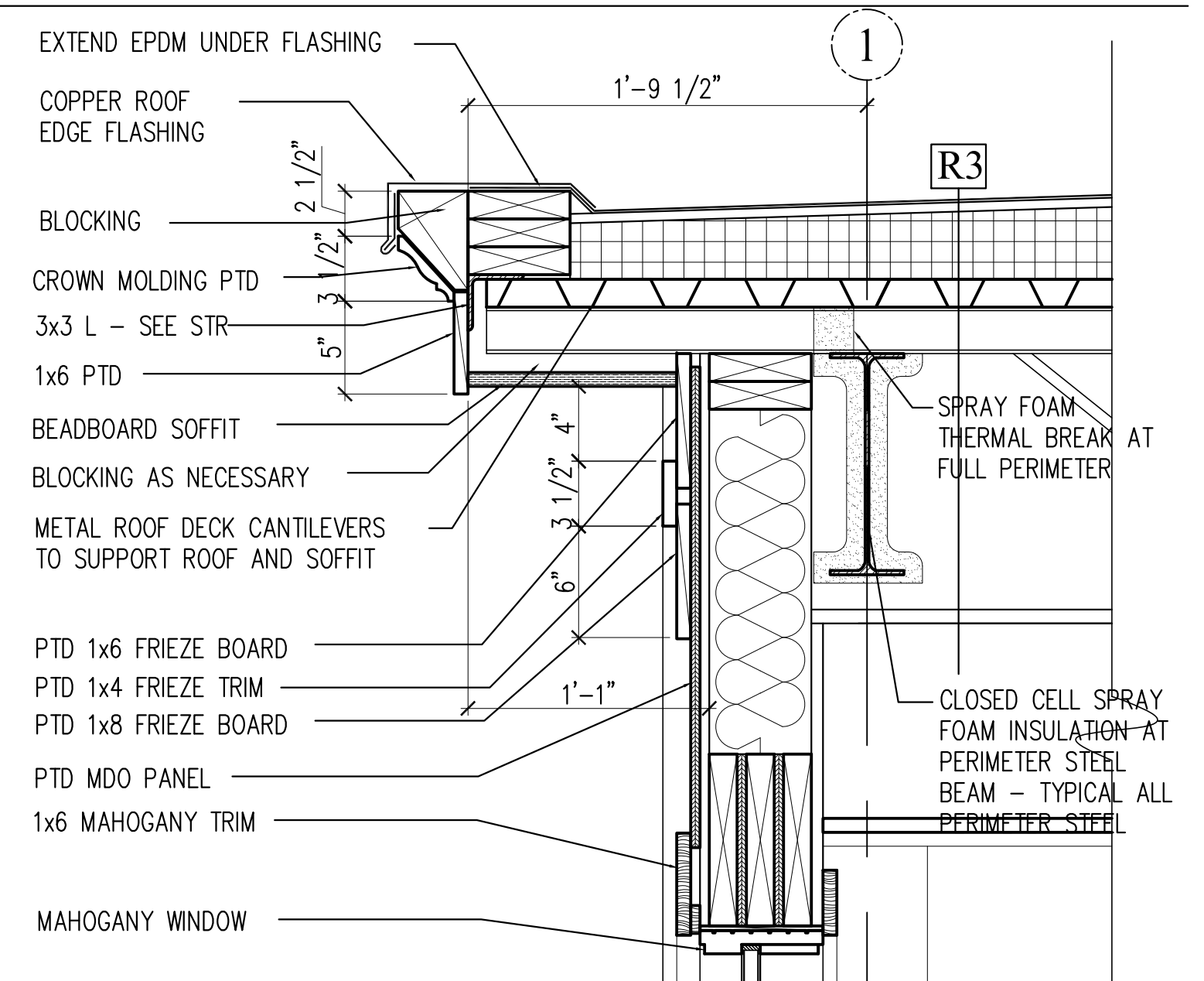
10 WINDOW SILL / FOUNDATION DETAIL AT ADDITION
SCALE: 1 1/2"=1'-0"



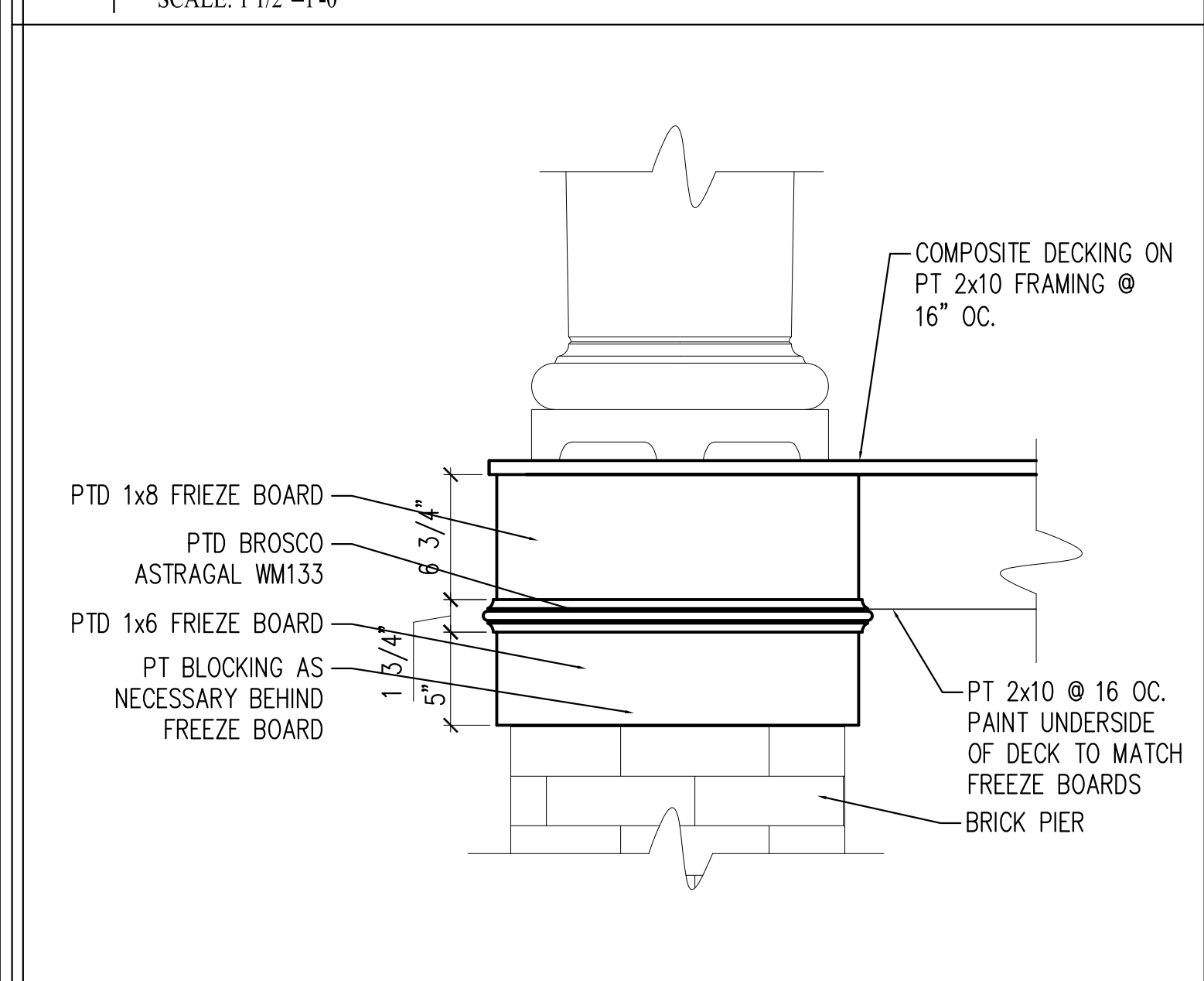
07 BALCONY DECK DETAIL
SCALE: 1 1/2"=1'-0"



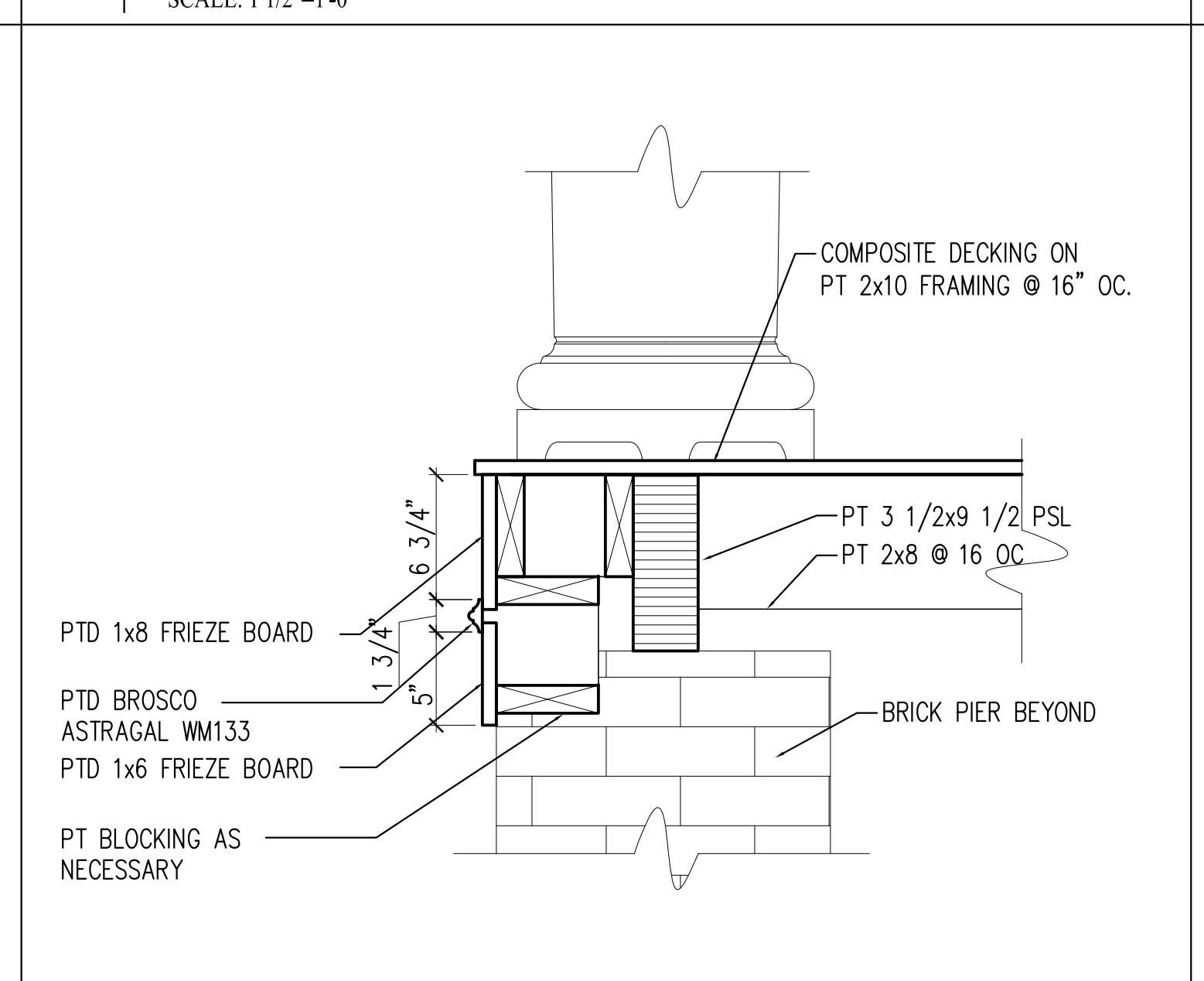
04 CORNICE DETAIL
SCALE: 1 1/2"=1'-0"



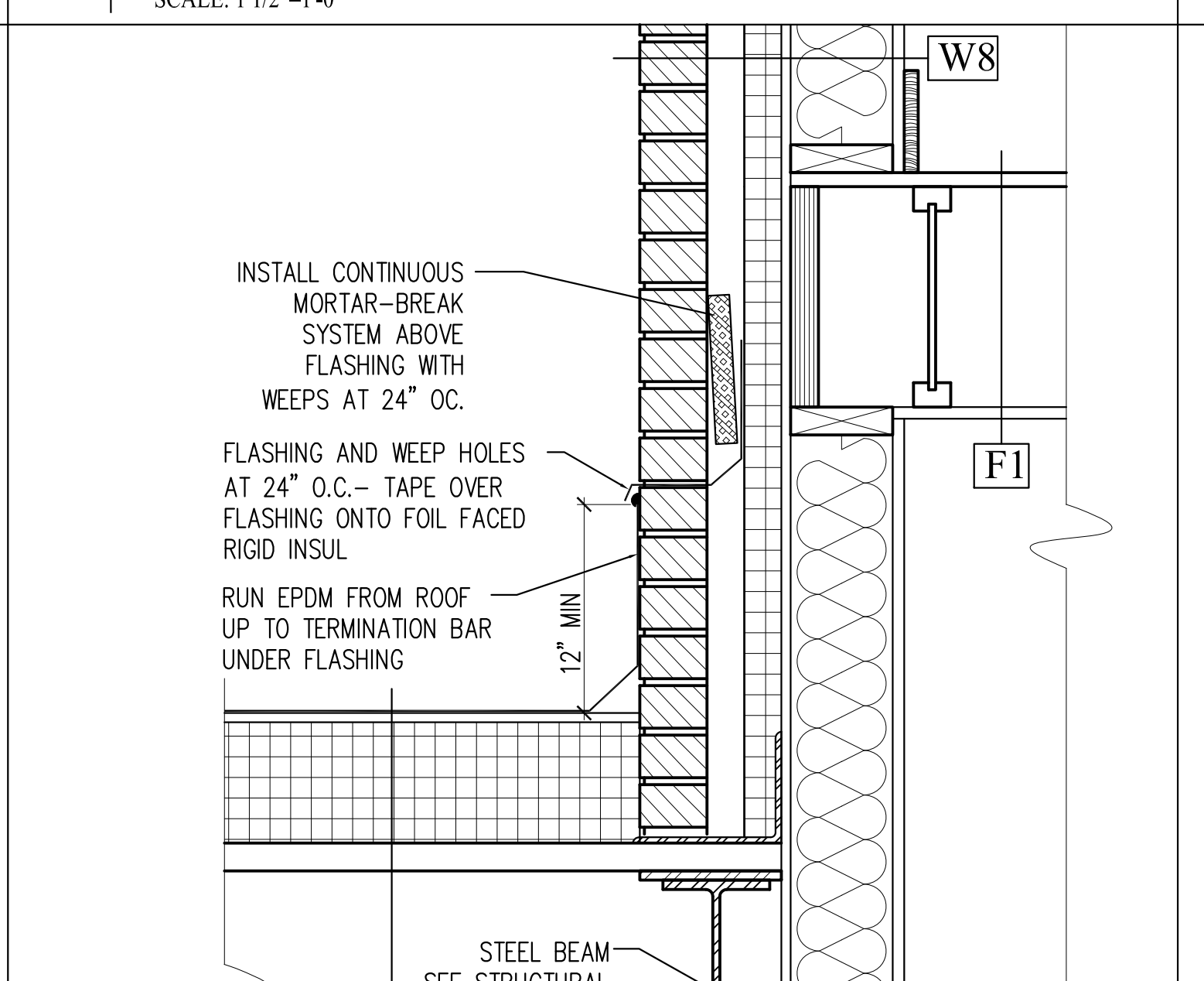
02 EAVE/WALL DETAIL
SCALE: 1 1/2"=1'-0"



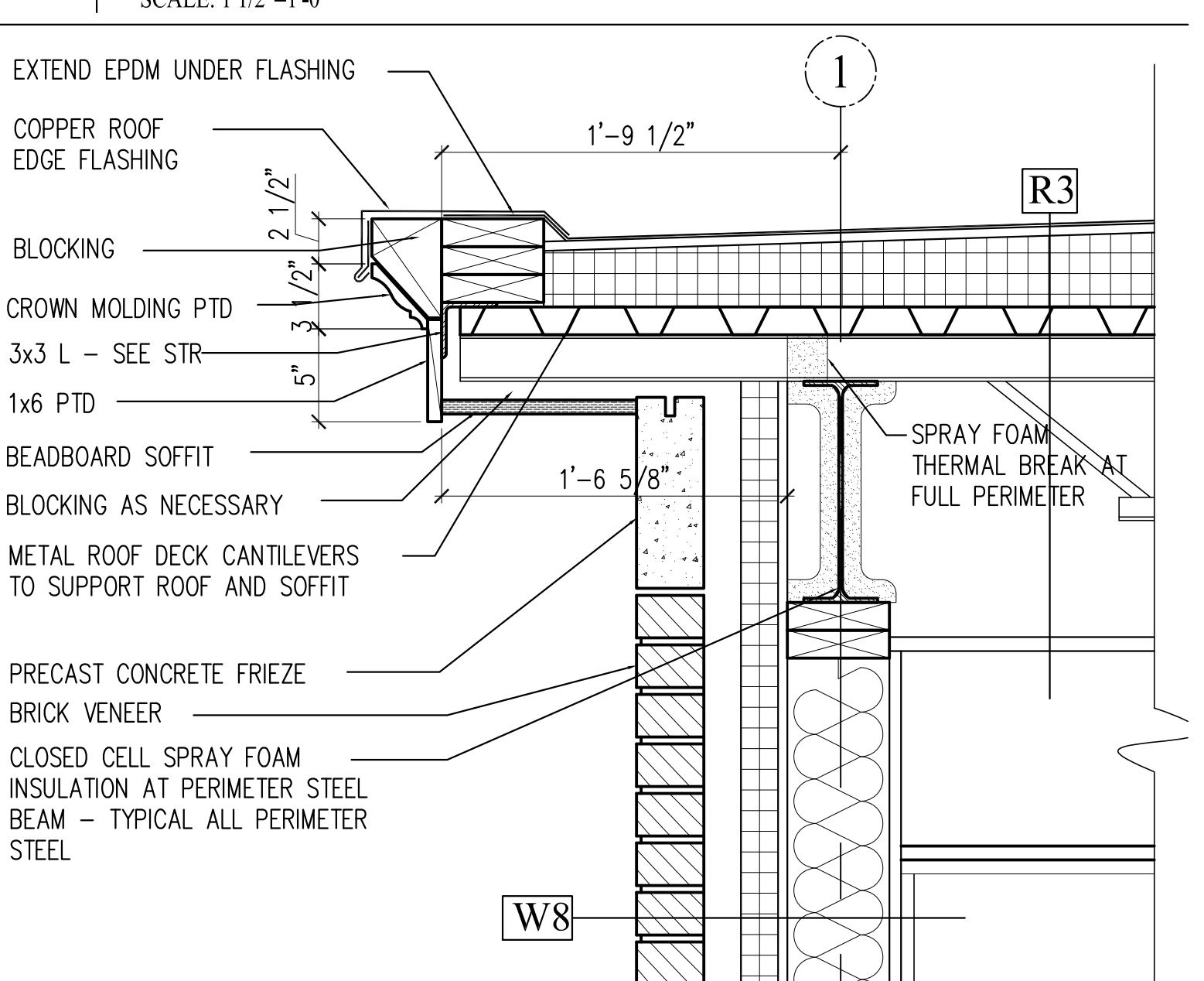
11 PORCH DECK DETAIL FRIEZE WRAP
SCALE: 1 1/2"=1'-0"



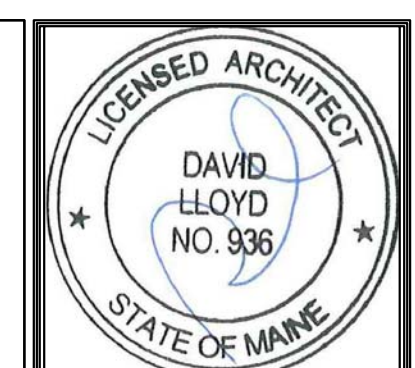
08 PORCH DECK DETAIL
SCALE: 1 1/2"=1'-0"



05 LOW ROOF/WALL DETAIL AT COLUMN
SCALE: 1 1/2"=1'-0"



03 EAVE/WALL DETAIL
SCALE: 1 1/2"=1'-0"



Prepared For:
The Inn at Diamond Cove, LLC.
PO BOX 3572
PORTLAND, ME 04101

Interior Designer:
truexcollins
INTERIORS
298 BATTERY STREET BURLINGTON, VERMONT 05401 USA
Phone 802.658.2775 800.227.1076
ARCHITECTURE | INTERIOR DESIGN | truexcollins.com

Architect:
ARCHETYPE
architects
48 Union Wharf Portland, Maine 04101
(207) 772-6022 Fax (207) 772-4056

Project:
**THE INN AT
DIAMOND COVE,
LLC**
MCKINLEY COURT
GREAT DIAMOND ISLAND, MAINE

Revisions:
Issued for Construction 03 Feb 14

Date:
03 Feb 2014
Scale:
1/8" = 1'-0"

A5.01