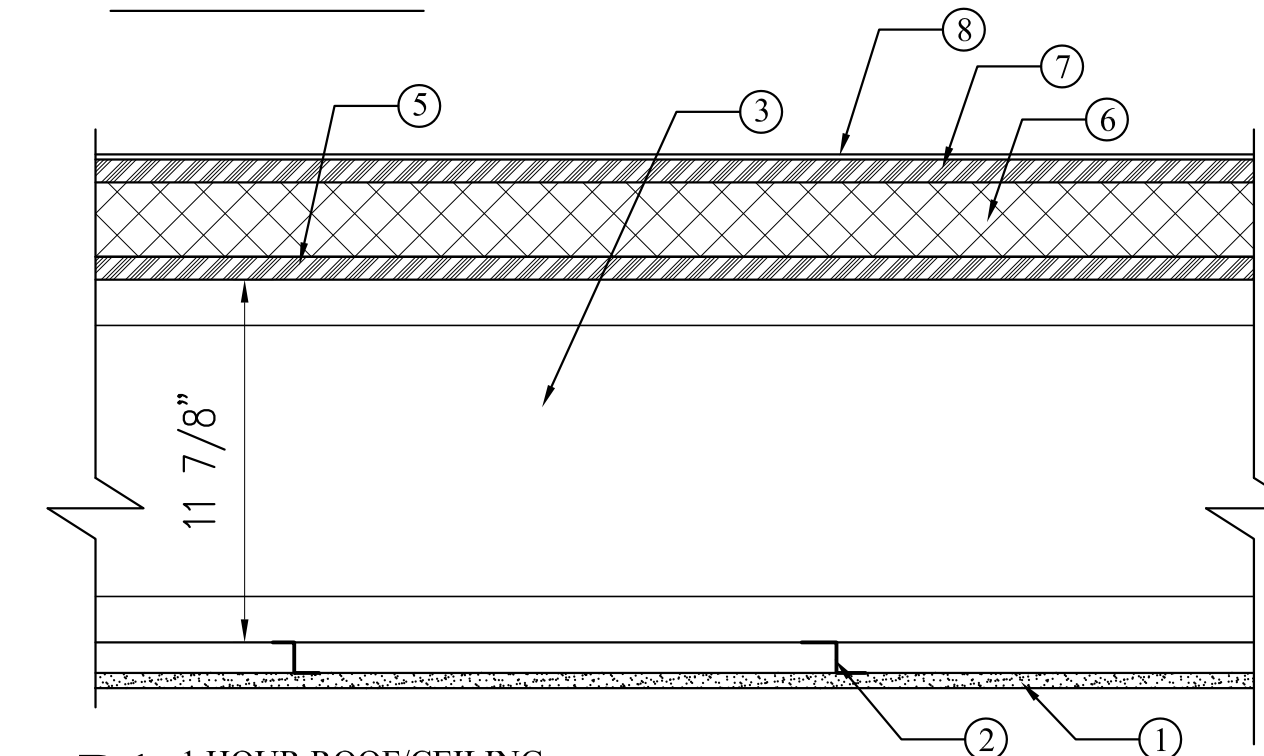
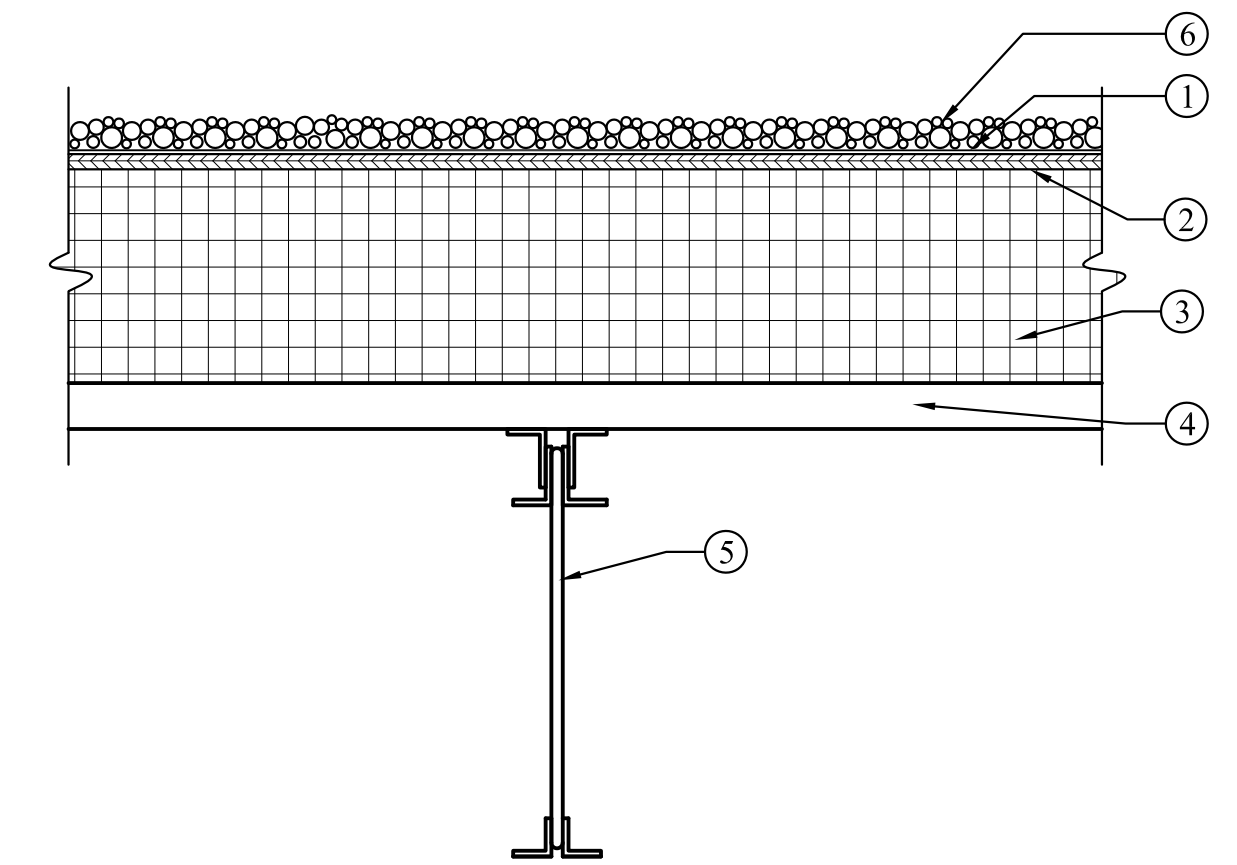


ROOF

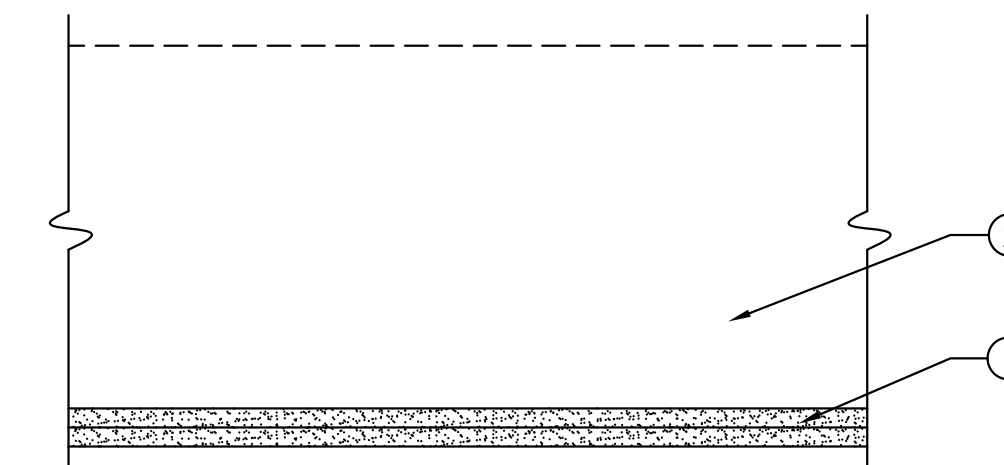


R1 1 HOUR ROOF/CEILING

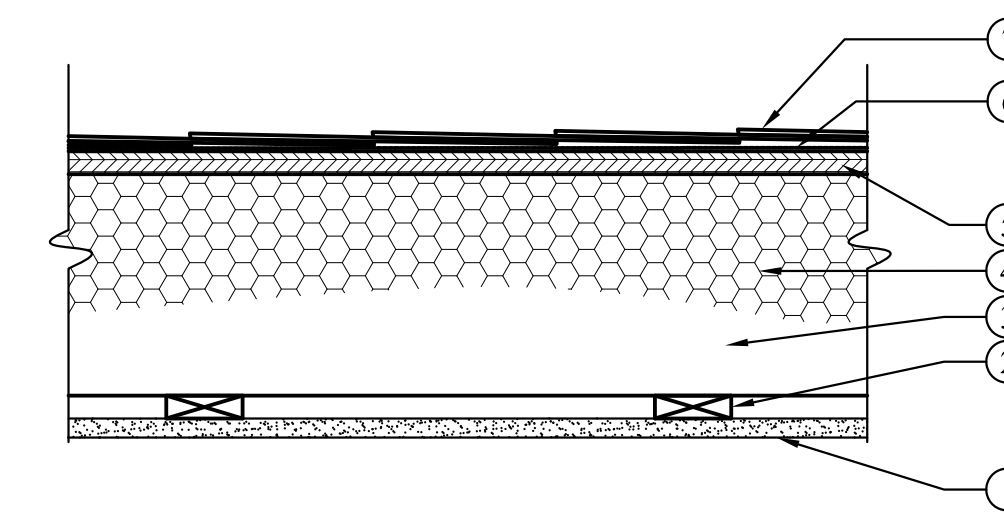
R2 1 HOUR ROOF/CEILING



R3 UNRATED ROOF ASSEMBLY



C1 1 HOUR CEILING ASSEMBLY



R4 UNRATED ROOF ASSEMBLY

R1 ROOF/CEILING ASSEMBLY RATING

- No fire rating required
- 1/2" type X gypsum wallboard applied at right angles to resilient channels
 - Resilient channels 16" o.c. with 1-1/4" Type S drywall screws 12" o.c. Resilient channels applied at right angles to minimum wood I-joists
 - 11-7/8" I-joists, with minimum 1-1/4" deep x 1-1/2" wide flanges and minimum 3/8" webs, 24" o.c. with 1-1/4" Type W drywall screws.
 - base layer with 1-1/2" Type G screws 12" o.c. Edge joints offset 24" from base layer edge joints.
 - 3/4" OSB, T&G, applied at right angles to I joists with 8d common nails 12" , o.c.
 - Tapered ISO
 - 1/2" O.S.B.
 - .060" EPDM fully adhered roof membrane

R2 ROOF/CEILING ASSEMBLY RATING

3. 2X12's

R3 UNRATED ROOF ASSEMBLY

1. Roof Covering -- .045" EPDM fully adhered roof membrane.
2. Roof Protection Board -- 1/2" O.S.B.
3. Insulation -- Six inches isocyanurate rigid insulation to accomplish R-Value of 38.
4. Roof Deck -- 20 gauge by 1 1/2" Type B steel deck.
5. Bar Joists -- Steel bar joists. SEE STRUCTURALS FOR DEPTH AND LAYOUT.
6. Ballast -- Nominal 1-1/2" rounded water worn gravel. SEE SPECIFICATIONS FOR GRAVEL GRADATION.

C1 CEILING ASSEMBLY 1 HOUR RATING

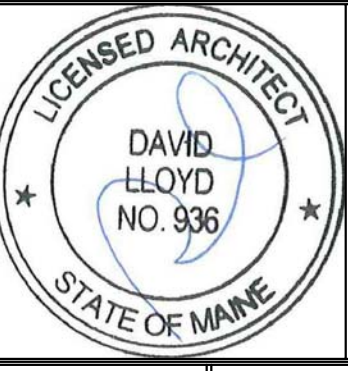
GA FILE NO. FC5406 APPENDED GA 610-02

1. Gypsum Board -- Base layer 5/8" type X gypsum board applied at right angles to framing with 1-1/4" Type W or S drywall screws 24" O.C. Face layer 5/8" type X gypsum wallboard or gypsum veneer base applied at right angles to framing with 1-7/8" Type W or S drywall screws 12" O.C. at joints and intermediate joists and 1-1/2" Type G drywall screws 12" O.C. placed 2" back either side of end joists. Edge joints offset 24" from base layer edge joints.
2. Framing Members -- Metal or wood framing structure

Ceiling provides one hour fire resistance protection for framing, including trusses.

R4 ROOF/CEILING ASSEMBLY RATING

- No fire rating required
1. Gypsum Board -- Face layer 5/8" type X gypsum board applied at right angles to framing with 1-1/4" Type W or S drywall screws 24" O.C.
 2. Strapping -- 1x3 wood strapping at 16" o.c. attached with 1-1/4" Type S drywall screws 12" o.c. applied at right angles to rafters.
 3. Framing -- 2x8 rafters, 24" o.c. Simpson H4 clips at top-of-wall connection.
 4. Insulation -- Spray-applied closed-cell foam insulation applied to achieve R-38 rating.
 5. Wood Structural Panel Sheathing -- 1/2" OSB, T&G, applied at right angles to rafters with 8d common nails 12" , o.c.
 6. 30-lb. Felt paper.
 7. Shingles -- Slate tile roofing shingles.



Prepared For:
The Inn at Diamond Cove, LLC.
PO BOX 3572
PORTLAND, ME 04101

Interior Designer:
truexcollins
INTERIORS
298 BATTERY STREET BURLINGTON, VERMONT 05401 USA
Phone 802.658.2775 800.227.1076
ARCHITECTURE | INTERIOR DESIGN | truexcollins.com

Architect:
ARCHETYPE
architects
48 Union Wharf Portland, Maine 04101
(207) 772-6022 Fax (207) 772-4056

Project:
THE INN AT DIAMOND COVE, LLC
MCKINLEY COURT
GREAT DIAMOND ISLAND, MAINE

Revisions:
Issued for Construction 03 Feb 14

Date: 03 Feb 2014
Scale: AS NOTED
ROOF & CEILING TYPES

A4.04