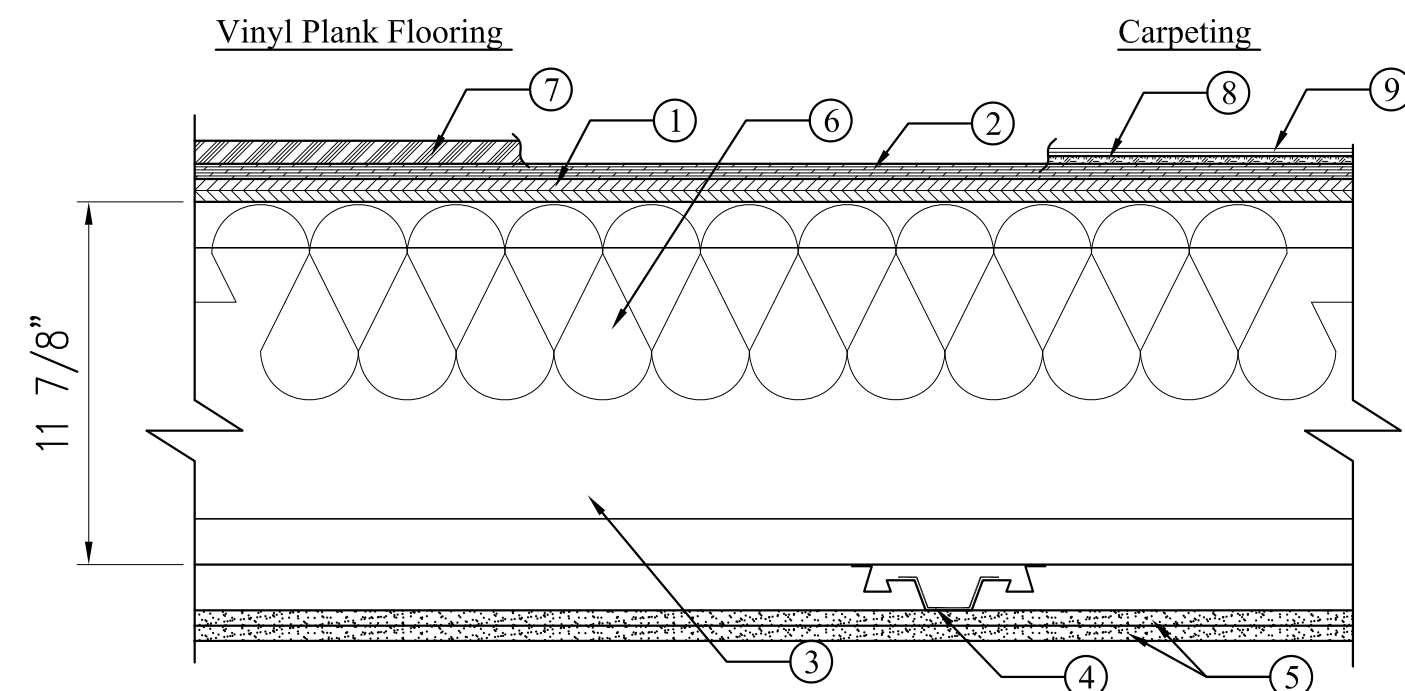
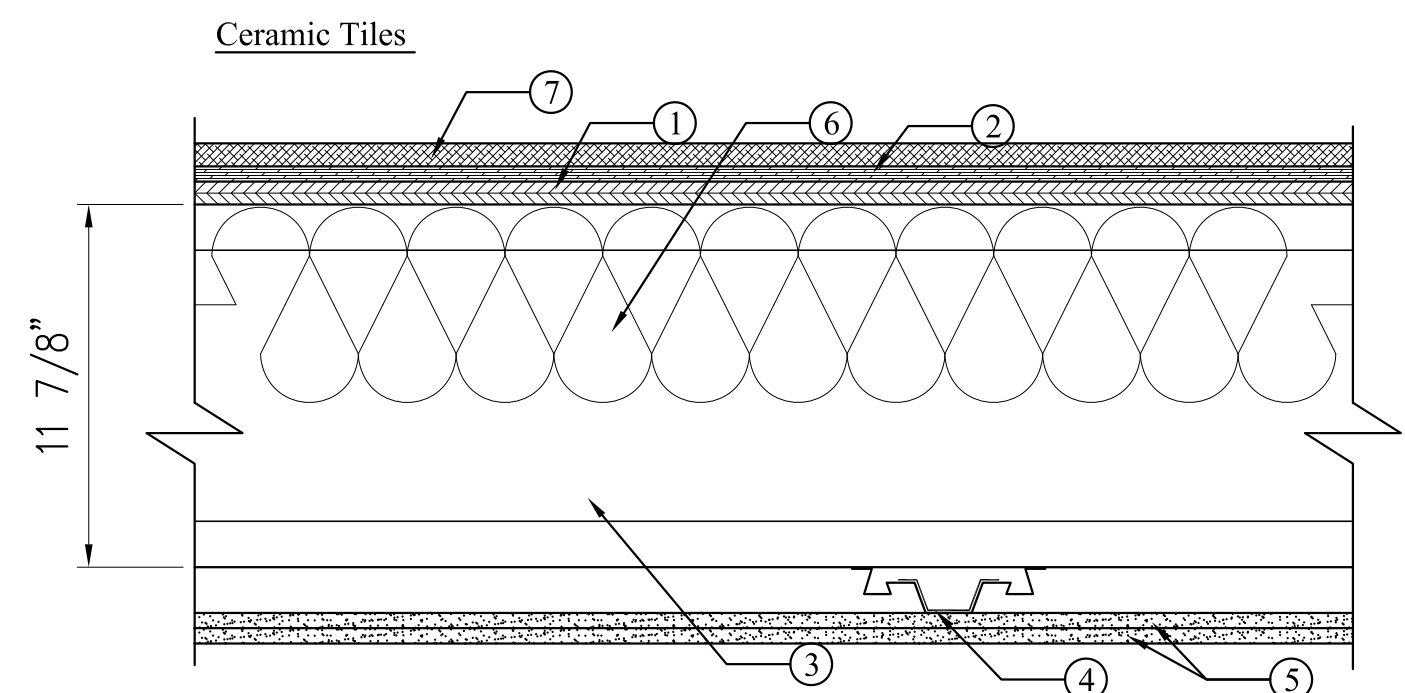


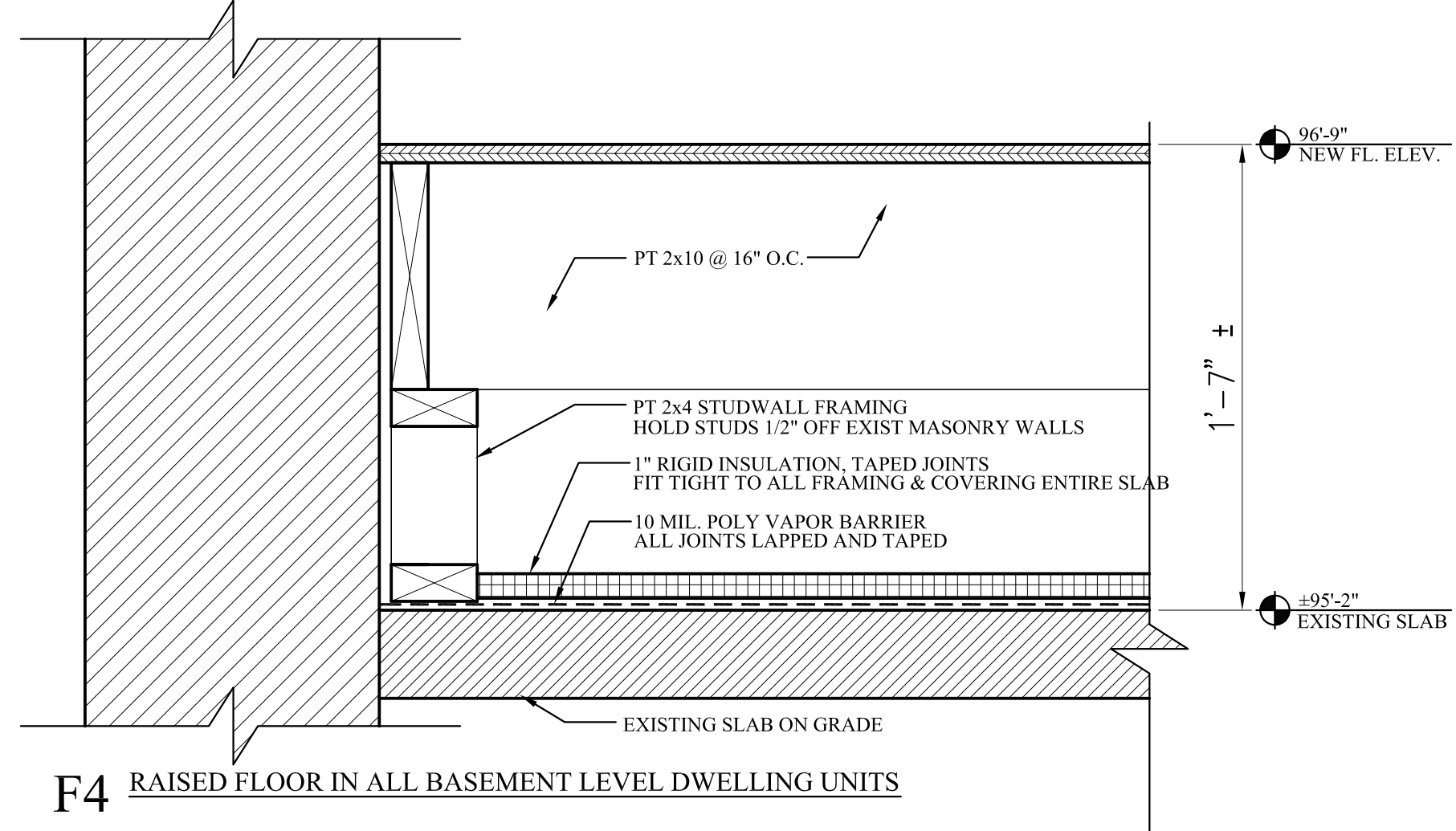
FLOOR/CEILING



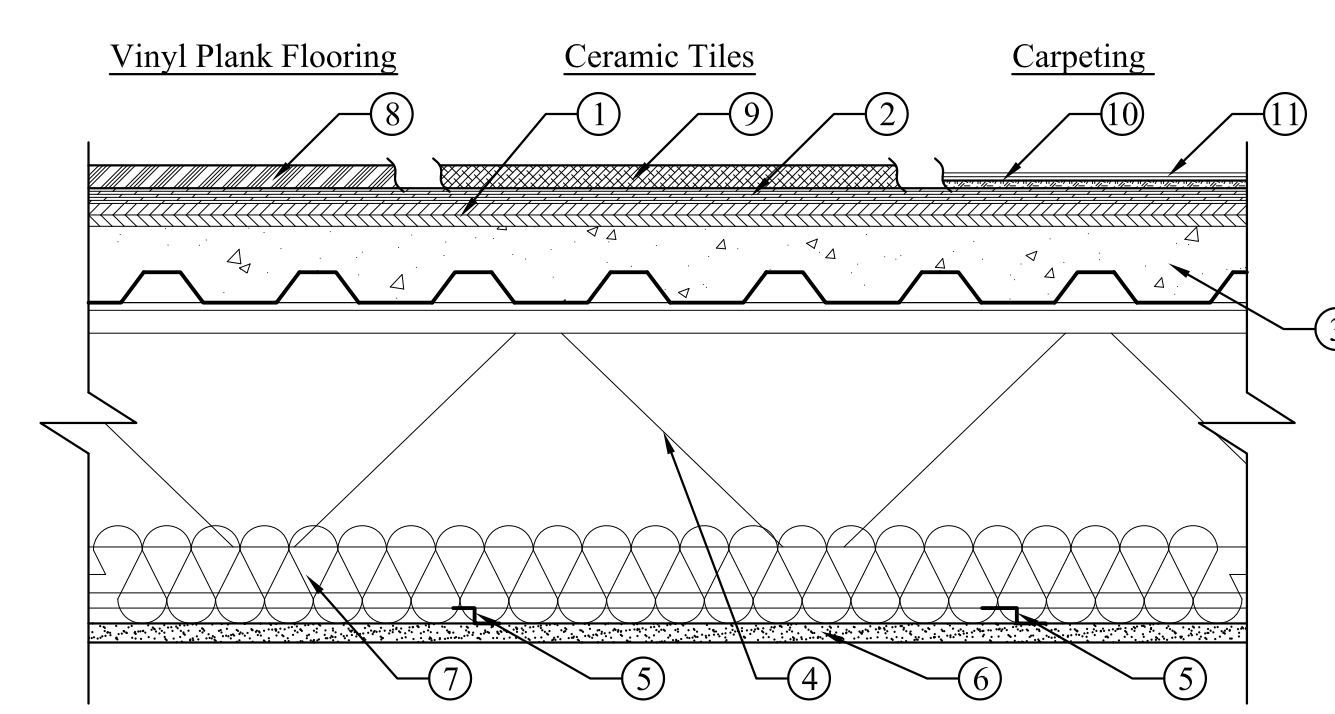
F1 FLOOR/CEILING



F2 FLOOR/CEILING IN BATHROOMS



F4 RAISED FLOOR IN ALL BASEMENT LEVEL DWELLING UNITS



F5 FLOOR/CEILING

F1 FLOOR / CEILING ASSEMBLY
 DESIGN NUMBER U.L. L521
 1 HR RATED
 (STC 60 - IIC 57 at hardwood floors) Riverbank Acoustical Laboratory RAL-TL09-350 and RAL-IN09-053

- Subflooring** - Nom 23/32 in. thick wood structural panels installed perpendicular to trusses with end joints staggered. Plywood or panels secured to trusses with construction adhesive and No. 6d ringed shank nails, spaced 12 in. OC along each truss. Staples having equal or greater withdrawal and lateral resistance strength may be substituted for the 6d nails.
- Sound Isolating Mat** - Bonded recycled rubber mat
- KINETICS NOISE CONTROL** - Kinetics 3mm Isolation BR
- Wood Joists** - 11 7/8" Joists, 24" o.c. with 1-1/4" Type W drywall screws.
- Ceiling Hangers** - 20 gauge roll-formed hat channel 0.875 in deep by 2.5 in wide mounted to Kinetics WAVE Acoustical Leaf Spring Ceiling Hangers spaced at 24 in. by 48 in. center to center and fastened to joists with (2) 10x1 1/2 in. Round Washer Recex Lo Root screws measuring 1.5 in. long. Wave hangers installed parallel to joists to accommodate hat channels perpendicular to joists.
- Gypsum Board** - 2 Layers Nom 5/8 in. thick, 48 in. wide gypsum panels attached to the hat channels. Base layer gypsum panels secured with 1 in. long Type S screws spaced 12 in. in the field and at 8 in. OC at the butt joints. Face layer gypsum panels secured with 1 5/8 in. long Type S screws spaced 12 in. in the field and at 8 in. OC at the butt joints. Joints treated with paper tape embedded in all-purpose joint compound and screw heads covered with compound.
- Insulation** - 6.25 in. Fiberglass batt insulation stapled into upper section of cavity.

AT HARDWOOD FLOORS:
 7. 3/4" Tongue and Groove Hardwood flooring.

AT CARPETED AREAS:
 8. Carpet Pad
 9. Carpet

F2 FLOOR / CEILING ASSEMBLY
 DESIGN NUMBER U.L. L521
 1 HR RATED
 (STC 60 - IIC 57 at hardwood floors) Riverbank Acoustical Laboratory RAL-TL09-350 and RAL-IN09-053

- Subflooring** - Nom 23/32 in. thick wood structural panels installed perpendicular to trusses with end joints staggered. Plywood or panels secured to trusses with construction adhesive and No. 6d ringed shank nails, spaced 12 in. OC along each truss. Staples having equal or greater withdrawal and lateral resistance strength may be substituted for the 6d nails.
- Sound Isolating Mat** - Bonded recycled rubber mat
- KINETICS NOISE CONTROL** - Kinetics 3mm Isolation HB
- Wood Joists** - 11 7/8" Joists, 24" o.c. with 1-1/4" Type W drywall screws.
- Ceiling Hangers** - 20 gauge roll-formed hat channel 0.875 in deep by 2.5 in wide mounted to Kinetics WAVE Acoustical Leaf Spring Ceiling Hangers spaced at 24 in. by 48 in. center to center and fastened to joists with (2) 10x1 1/2 in. Round Washer Recex Lo Root screws measuring 1.5 in. long. Wave hangers installed parallel to joists to accommodate hat channels perpendicular to joists.
- Gypsum Board** - 2 Layers Nom 5/8 in. thick, 48 in. wide gypsum panels attached to the hat channels. Base layer gypsum panels secured with 1 in. long Type S screws spaced 12 in. in the field and at 8 in. OC at the butt joints. Face layer gypsum panels secured with 1 5/8 in. long Type S screws spaced 12 in. in the field and at 8 in. OC at the butt joints. Joints treated with paper tape embedded in all-purpose joint compound and screw heads covered with compound.
- Insulation** - 6.25 in. Fiberglass batt insulation stapled into upper section of cavity.
- Ceramic Tiles** at bathrooms.

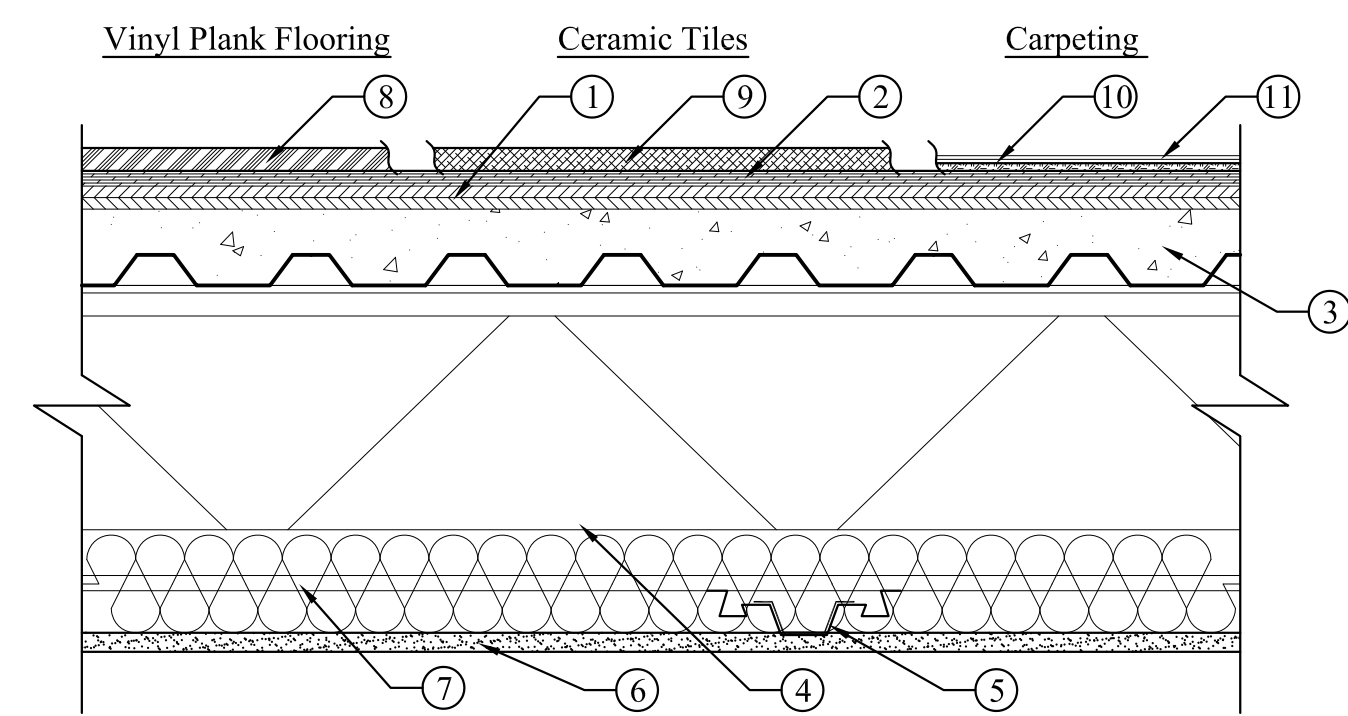
F5 FLOOR / CEILING ASSEMBLY
 DESIGN NUMBER U.L. L521
 1 HR RATED
 (STC 60 - IIC 57 at hardwood floors) Riverbank Acoustical Laboratory RAL-TL09-350 and RAL-IN09-053

- Subflooring** - Nom 23/32 in. thick wood structural panels installed perpendicular to trusses with end joints staggered. Plywood or panels secured to trusses with construction adhesive and No. 6d ringed shank nails, spaced 12 in. OC along each truss. Staples having equal or greater withdrawal and lateral resistance strength may be substituted for the 6d nails.
- Sound Isolating Mat** - Bonded recycled rubber mat
- KINETICS NOISE CONTROL** - Kinetics 3mm Isolation BR
- Concrete Deck** - See structural
- Steel Joists** - See structural
- Resilient channels** - 16" o.c. with 1-1/4" Type S drywall screws 12" o.c. Resilient channels applied at right angles to minimum steel joists
- Gypsum Board** - 1 Layer Nom 5/8 in. thick, gypsum wallboard applied at right angles to resilient channels
- Insulation** - 4 in. Fiberglass batt insulation.

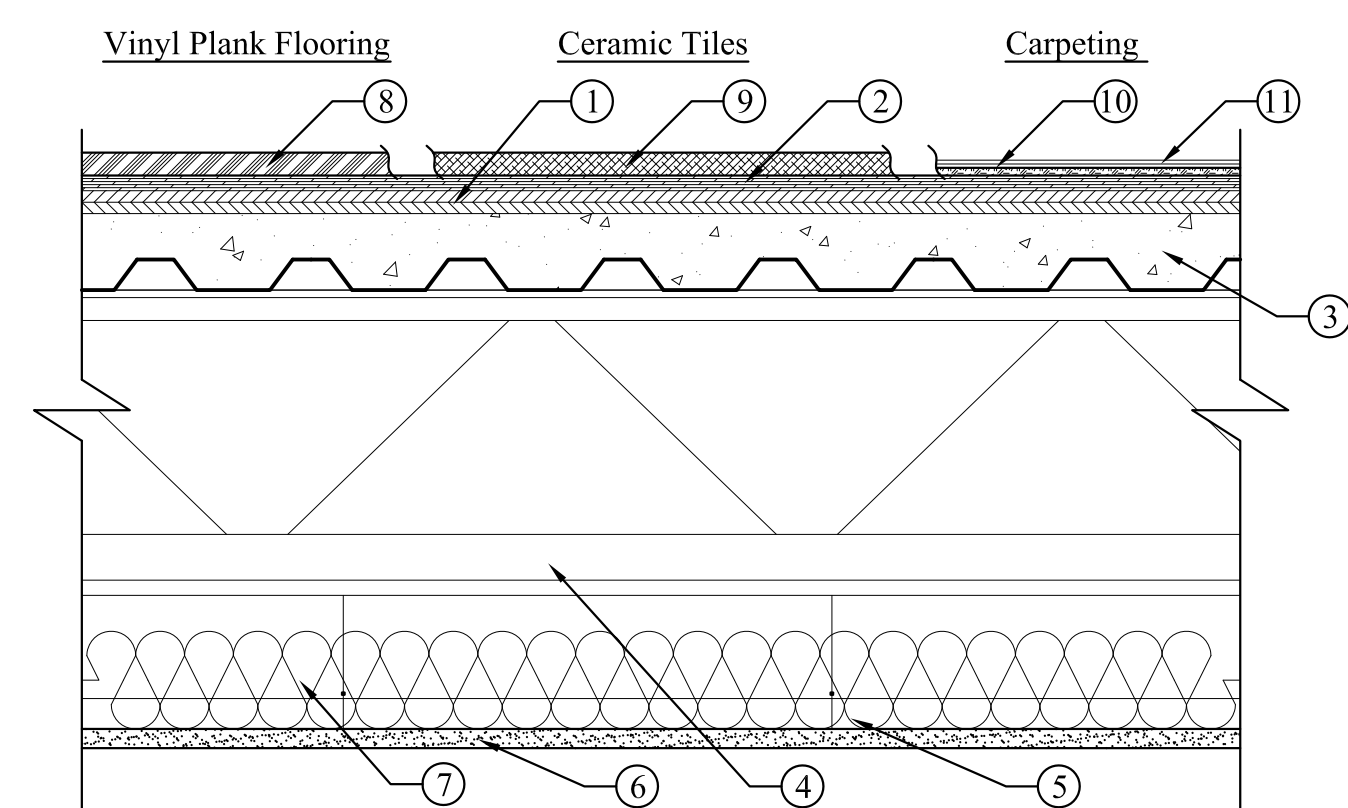
AT HARDWOOD FLOORS:
 8. 3/4" Tongue and Groove Hardwood flooring.

AT CERAMIC TILES
 9. Ceramic tiles

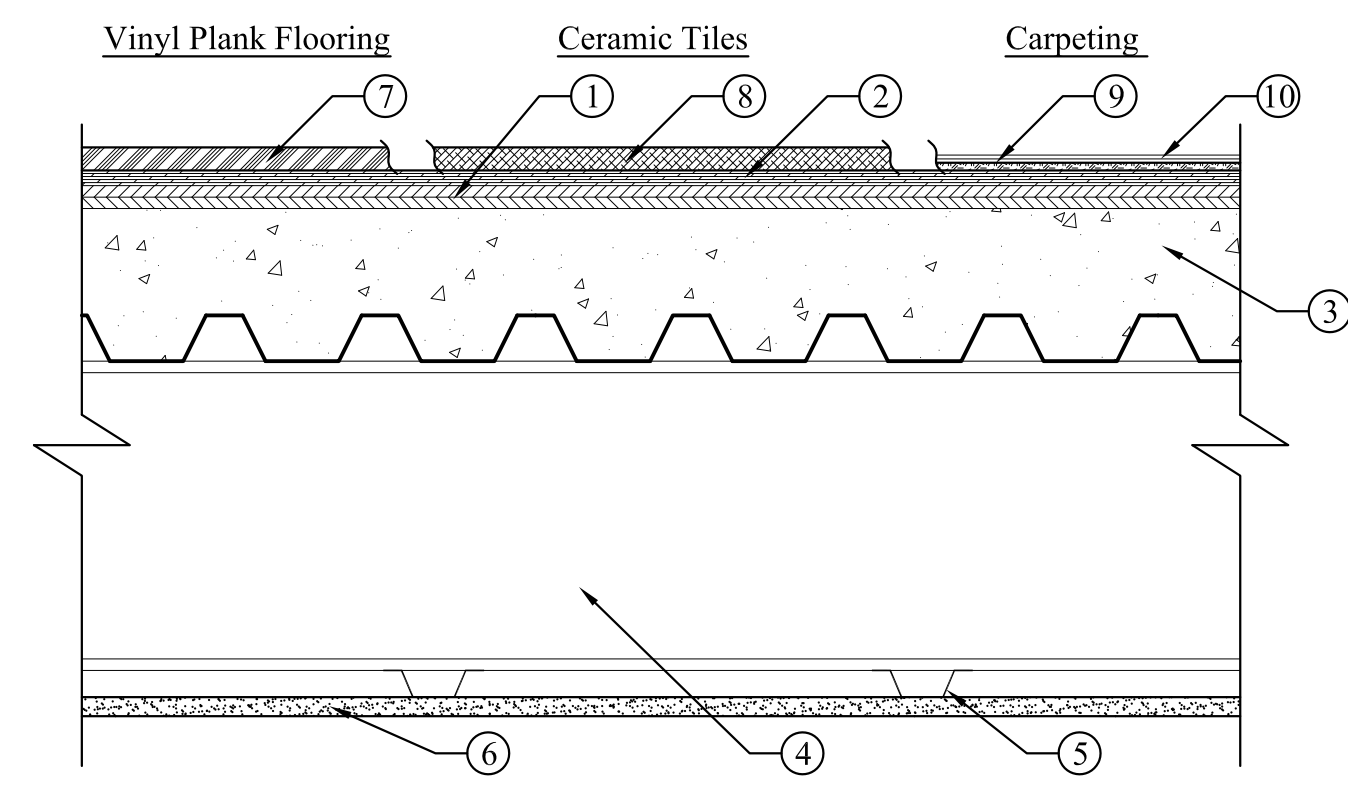
AT CARPETED AREAS:
 10. Carpet Pad
 11. Carpet



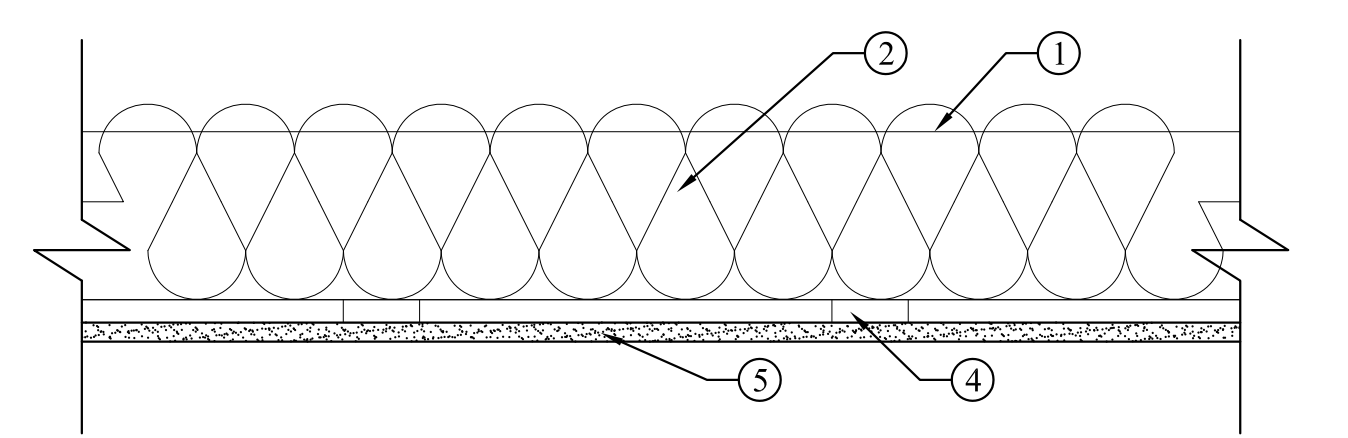
F6 FLOOR/CEILING



F7 FLOOR/CEILING



F8 FLOOR/CEILING



F9 CEILING ASSEMBLY

F6 FLOOR / CEILING ASSEMBLY
 DESIGN NUMBER U.L. G502
 1.5 HR RATED

- Subflooring** - Nom 23/32 in. thick wood structural panels installed perpendicular to trusses with end joints staggered. Plywood or panels secured to trusses with construction adhesive and No. 6d ringed shank nails, spaced 12 in. OC along each truss. Staples having equal or greater withdrawal and lateral resistance strength may be substituted for the 6d nails.
- Sound Isolating Mat** - Bonded recycled rubber mat
- KINETICS NOISE CONTROL** - Kinetics 3mm Isolation BR
- Concrete Deck** - See structural
- Steel Joists** - See structural
- Ceiling Hangers** - 20 gauge roll-formed hat channel 0.875 in deep by 2.5 in wide mounted to Kinetics WAVE Acoustical Leaf Spring Ceiling Hangers spaced at 24 in. by 48 in. center to center and fastened to joists with (2) 10x1 1/2 in. Round Washer Recex Lo Root screws measuring 1.5 in. long. Wave hangers installed parallel to joists to accommodate hat channels perpendicular to joists.
- Gypsum Board** - 1 Layer Nom 5/8 in. thick, gypsum wallboard applied at right angles to resilient channels
- Insulation** - 4 in. Fiberglass batt insulation.

AT HARDWOOD FLOORS:
 8. 3/4" Tongue and Groove Hardwood flooring.

AT CERAMIC TILES
 9. Ceramic tiles

AT CARPETED AREAS:
 10. Carpet Pad
 11. Carpet

F7 FLOOR / CEILING ASSEMBLY
 DESIGN NUMBER U.L. G502
 1.5 HR RATED

- Subflooring** - Nom 23/32 in. thick wood structural panels installed perpendicular to trusses with end joints staggered. Plywood or panels secured to trusses with construction adhesive and No. 6d ringed shank nails, spaced 12 in. OC along each truss. Staples having equal or greater withdrawal and lateral resistance strength may be substituted for the 6d nails.
- Sound Isolating Mat** - Bonded recycled rubber mat
- KINETICS NOISE CONTROL** - Kinetics 3mm Isolation BR
- Concrete Deck** - See structural
- Steel Joists** - See structural
- Ceiling Hangers** - Chicago system
- Gypsum Board** - 1 Layer Nom 5/8 in. thick, gypsum wallboard applied at right angles to resilient channels
- Insulation** - 4 in. Fiberglass batt insulation.

AT HARDWOOD FLOORS:
 8. 3/4" Tongue and Groove Hardwood flooring.

AT CERAMIC TILES
 9. Ceramic tiles

AT CARPETED AREAS:
 10. Carpet Pad
 11. Carpet

F8 FLOOR / CEILING ASSEMBLY
 DESIGN NUMBER U.L. D502
 1 HR RATED

- Subflooring** - Nom 23/32 in. thick wood structural panels installed perpendicular to trusses with end joints staggered. Plywood or panels secured to trusses with construction adhesive and No. 6d ringed shank nails, spaced 12 in. OC along each truss. Staples having equal or greater withdrawal and lateral resistance strength may be substituted for the 6d nails.
- Sound Isolating Mat** - Bonded recycled rubber mat
- KINETICS NOISE CONTROL** - Kinetics 3mm Isolation BR
- Steel Beam** - See structural
- Furring channels** - 7/8" furring channel or grabberman at 16" o.c. with 1-1/4" Type S drywall screws 12" o.c. Furring channels applied at right angles to steel joist
- MR Board** - 1 Layer Nom 5/8 in. thick

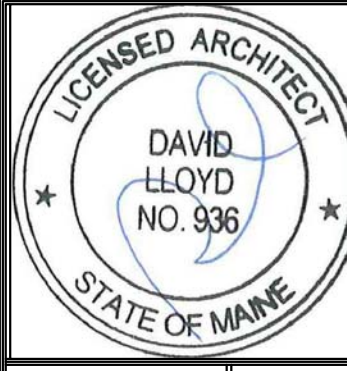
AT HARDWOOD FLOORS:
 7. 3/4" Tongue and Groove Hardwood flooring.

AT CERAMIC TILES
 8. Ceramic tiles

AT CARPETED AREAS:
 9. Carpet Pad
 10. Carpet

F9 CEILING ASSEMBLY
 DESIGN NUMBER U.L. L521
 1 HR RATED

- Roof Trusses** - See structural
- Insulation** - Fiberglass batts equal to R38
- 1x3 strapping**
- Gypsum Board** - 1 Layer Nom 5/8 in. thick, gypsum wallboard applied at right angles to resilient channels



Prepared For:
The Inn at Diamond Cove, LLC.
 PO BOX 3572
 PORTLAND, ME 04101

Interior Designer:
truexcollins
 INTERIORS
 289 BATTERY STREET RIBURTON, VERMONT 05401 USA
 Phone 802.658.2775 800.227.1076
 ARCHITECTURE | INTERIOR DESIGN | truexcollins.com

Architect:
ARCHETYPE
 architects
 48 Union Wharf Portland, Maine 04101
 (207) 772-6022 Fax (207) 772-4056

Project:
THE INN AT DIAMOND COVE, LLC
 MCKINLEY COURT
 GREAT DIAMOND ISLAND, MAINE

Revisions:
 Issued for Construction 03 Feb 14

Scale:
 AS NOTED

Date:
 03 Feb 2014

FLOOR/CEILING TYPES
A4.03