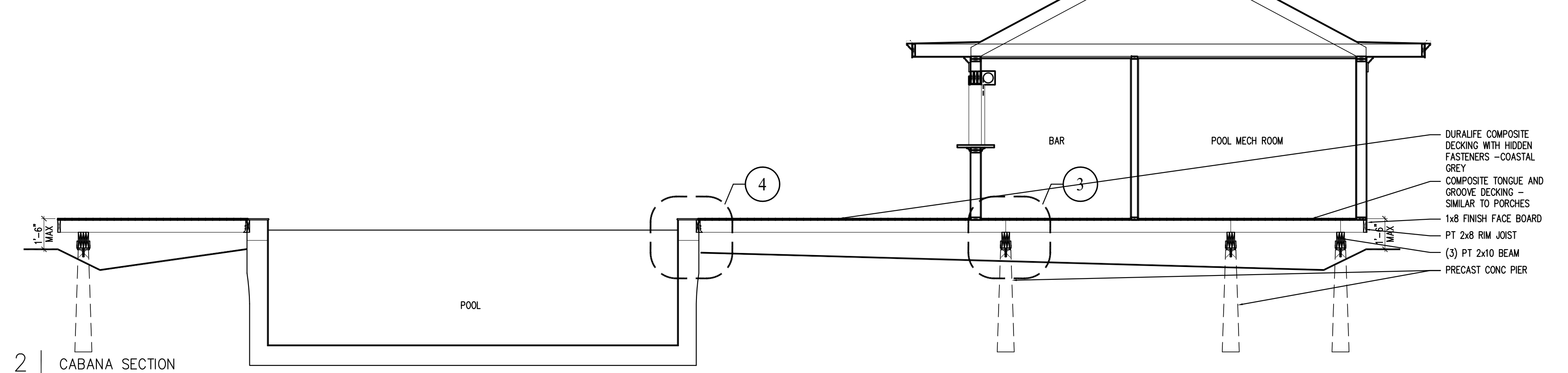


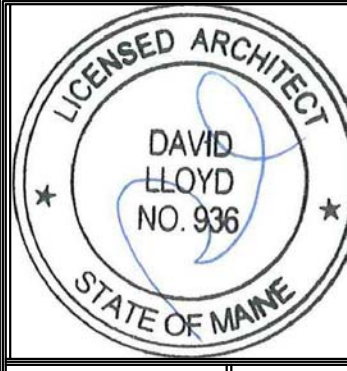
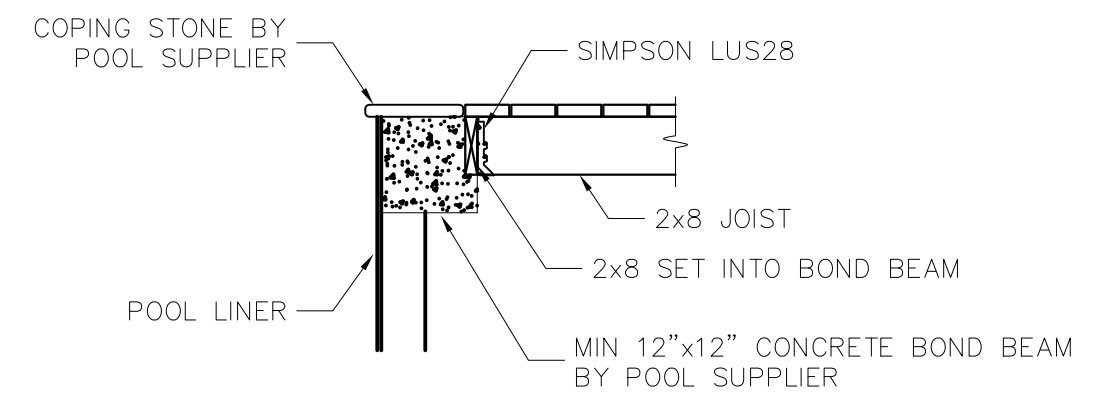
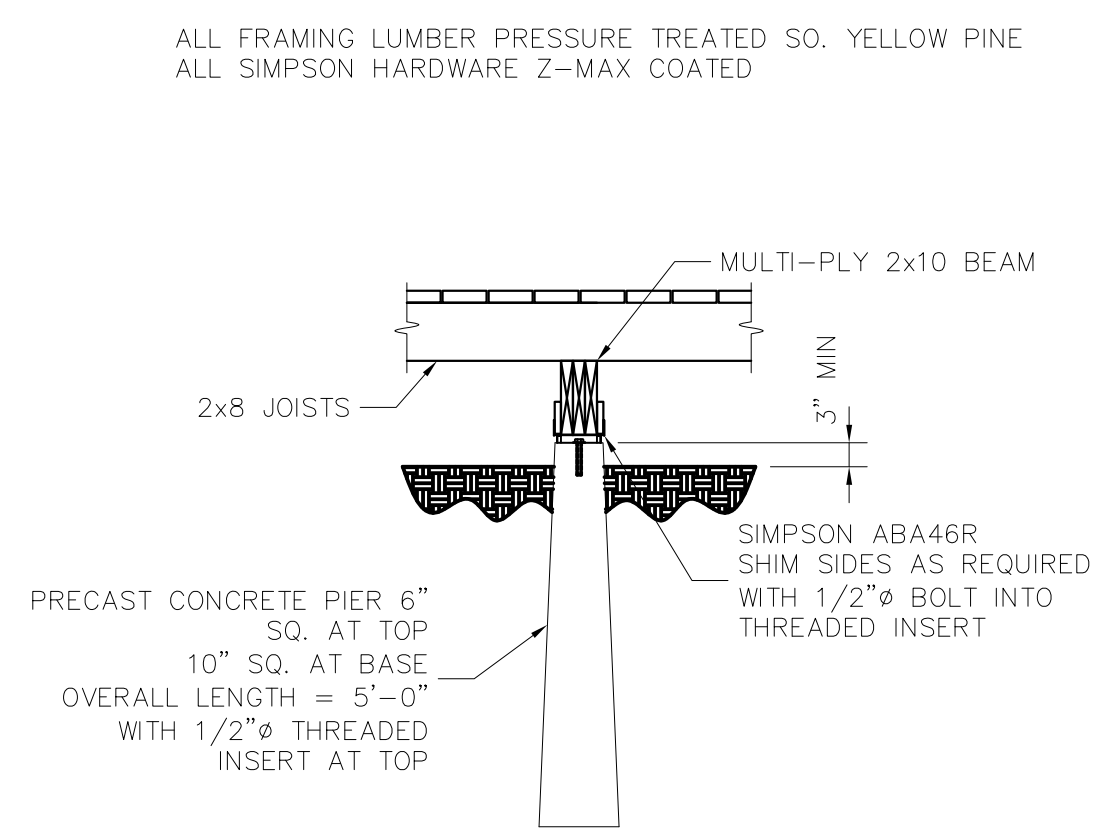
1 CABANA DECK PLAN  
SCALE: 1/4"=1'-0"

2 CABANA SECTION  
SCALE: 1/4"=1'-0"



3 SECTION AT P.C. PIER  
SCALE: 1/2"=1'-0"

4 SECTION AT POOL EDGE  
SCALE: 1/2"=1'-0"



Prepared For:  
**The Inn at Diamond Cove, LLC.**  
PO BOX 3572  
PORTLAND, ME 04101

Interior Designer:  
**truexcollins**  
INTERIORS  
299 BATTERY STREET BURLINGTON, VERMONT 05401 USA  
Phone 802.656.2775 800.227.1076  
ARCHITECTURE | INTERIOR DESIGN | truexcollins.com

Architect:  
**ARCHETYPE**  
architects  
48 Union Wharf Portland, Maine 04101  
(207) 772-6022 Fax (207) 772-4056

Project:  
**THE INN AT DIAMOND COVE, LLC**  
MCKINLEY COURT  
GREAT DIAMOND ISLAND, MAINE

Revisions:  
Issued for Construction 03 Feb 14

Date:  
03 Feb 2014

Scale:  
AS NOTED

CABANA DECK PLAN,  
SECTION AND  
DETAILS  
**A2.11**