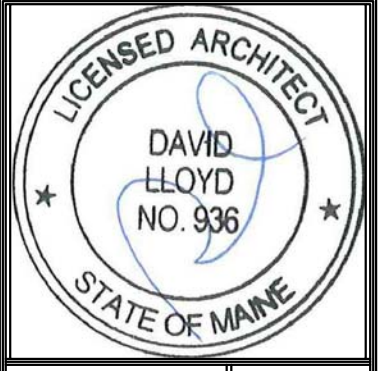


7 INTERIOR WEST ELEVATION - ADDITION
SCALE: 1/8"=1'-0"

LEGEND	
BUILDING SECTION	(X) AXX
WALL SECTION	(X) AXX
SECTION DETAIL	(X) AXX
PLAN DETAIL	(X) AXX
WALL TYPE (SEE SHEET A4.01)	(WX)
FLOOR/CEILING TYPE (SEE SHEET A4.02)	(FX)



Prepared For:
The Inn at Diamond Cove, LLC.
PO BOX 3572
PORTLAND, ME 04101

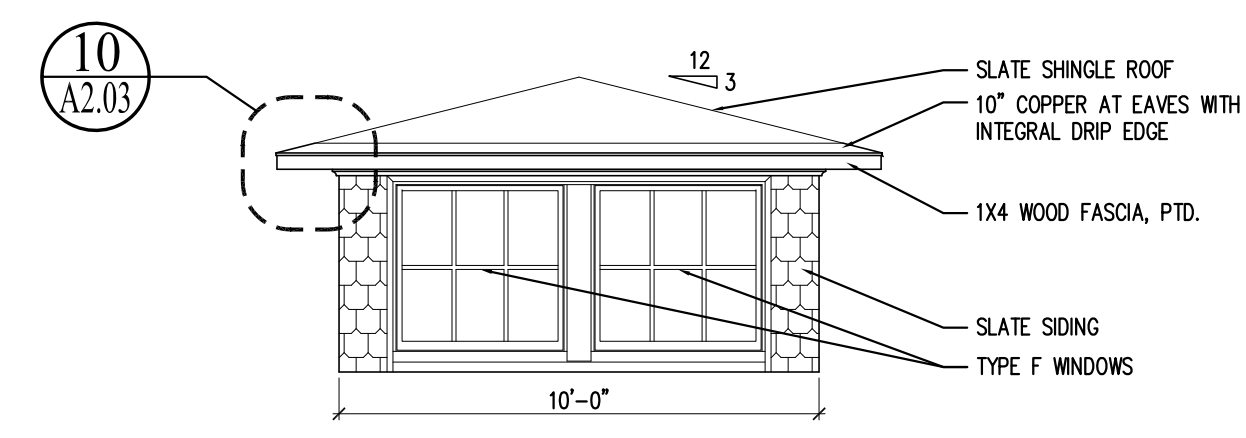
Interior Designer:
truexcollins
INTERIORS
298 BATTERY STREET BURLINGTON, VERMONT 05401 USA
Phone 802.658.2775 800.227.1076
ARCHITECTURE | INTERIOR DESIGN | truexcollins.com

Architect:
ARCHETYPE
architects
48 Union Wharf Portland, Maine 04101
(207) 772-6022 Fax (207) 772-4056

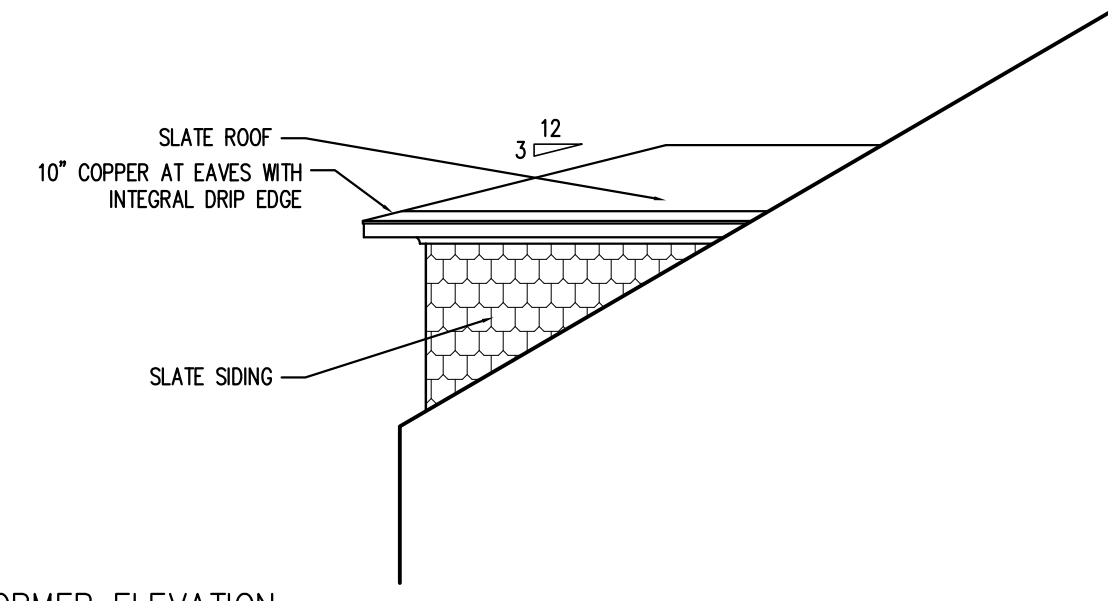
Project:
THE INN AT DIAMOND COVE, LLC
MCKINLEY COURT
GREAT DIAMOND ISLAND, MAINE

Revisions:
Issued for Construction 03 Feb 14

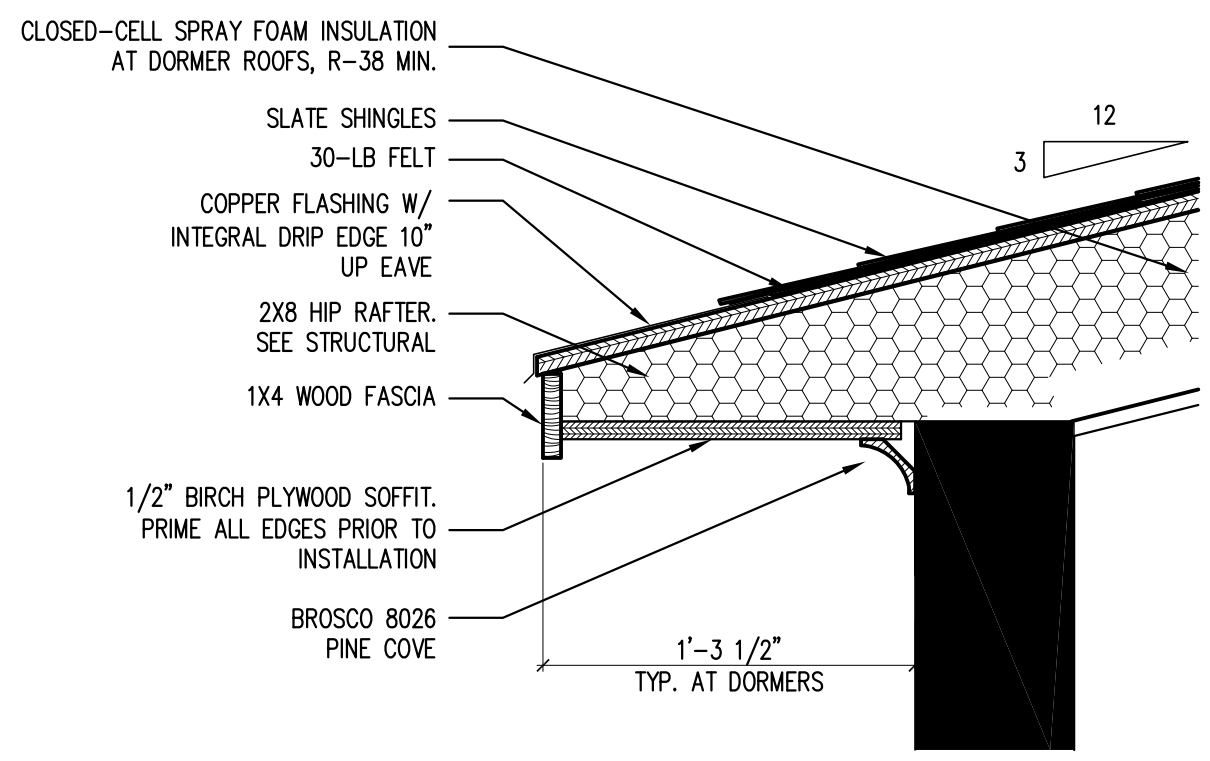
Date: 03 Feb 2014
Scale: 1/8" = 1'-0"
BUILDING ELEVATIONS



8 DORMER ELEVATION
SCALE: 1/4"=1'-0"



9 DORMER ELEVATION
SCALE: 1/4"=1'-0"



10 DORMER EAVE DETAIL
SCALE: 1 1/2"=1'-0"