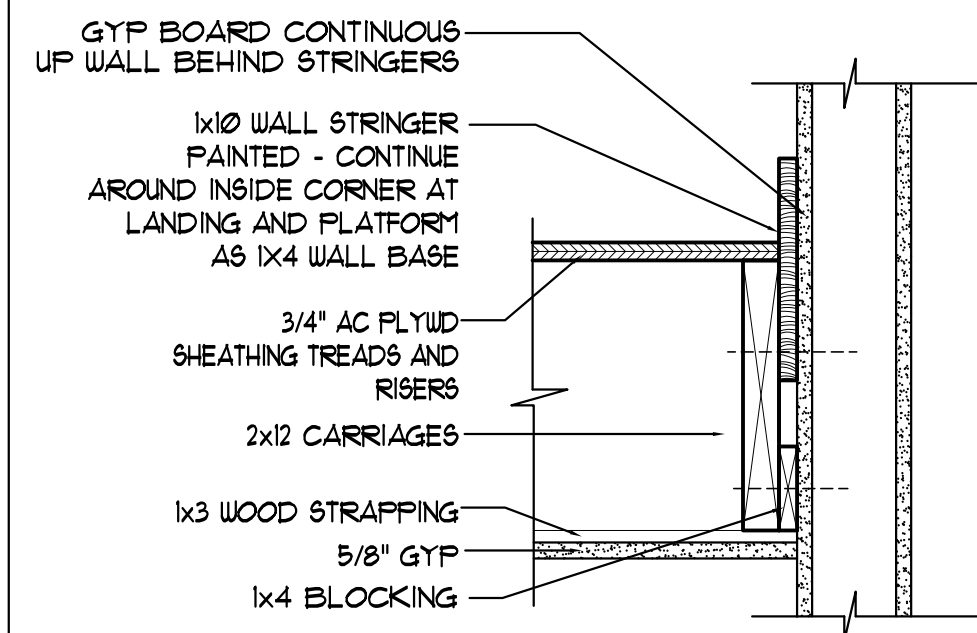
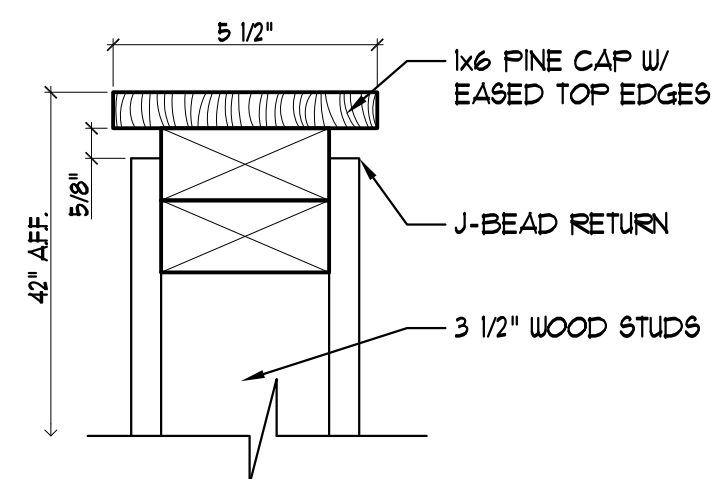


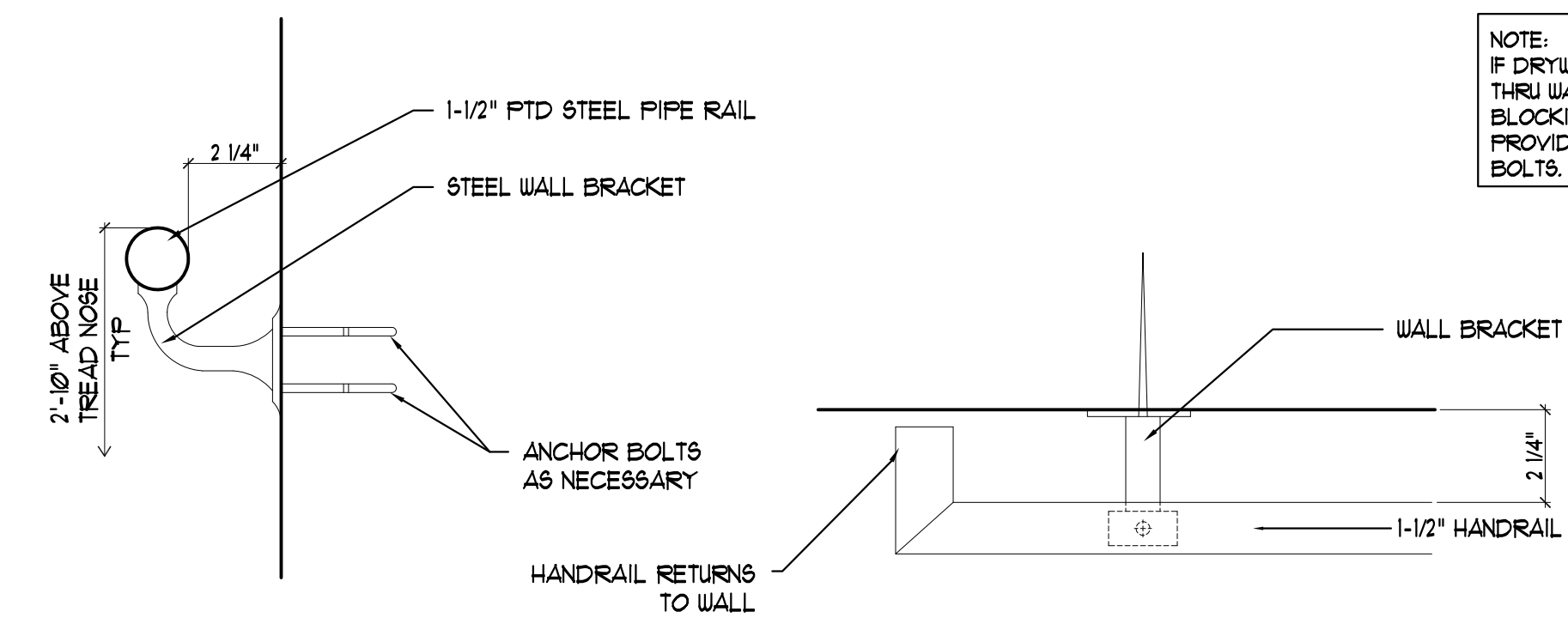
3 | STAIR TREAD/RISER DETAIL
SCALE: 1"=1'-0"



4 | STAIR STRINGER DETAIL
SCALE: 1 1/2"=1'-0"

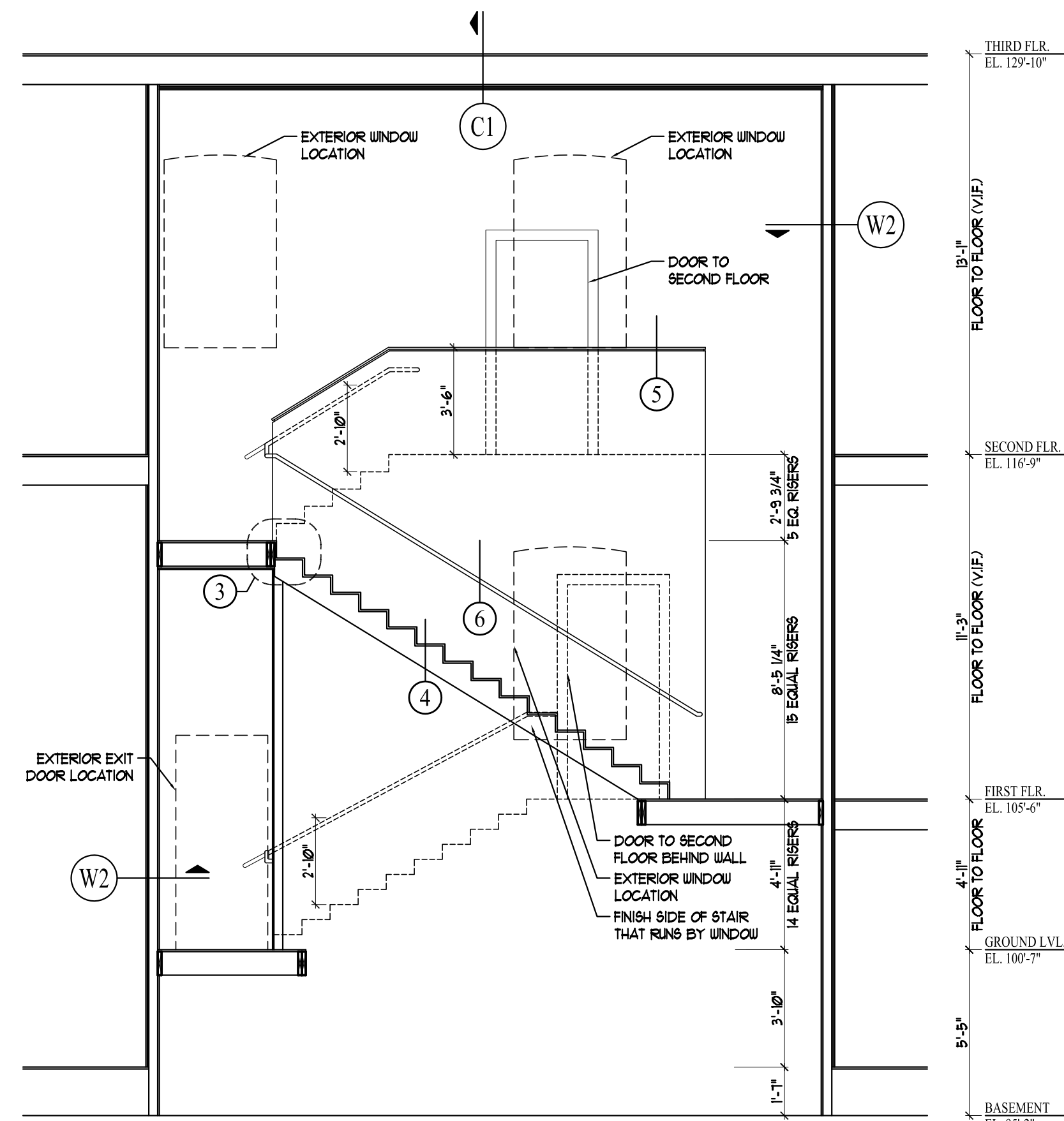


5 | STAIR WALL CAP DETAIL
SCALE: 3"=1'-0"

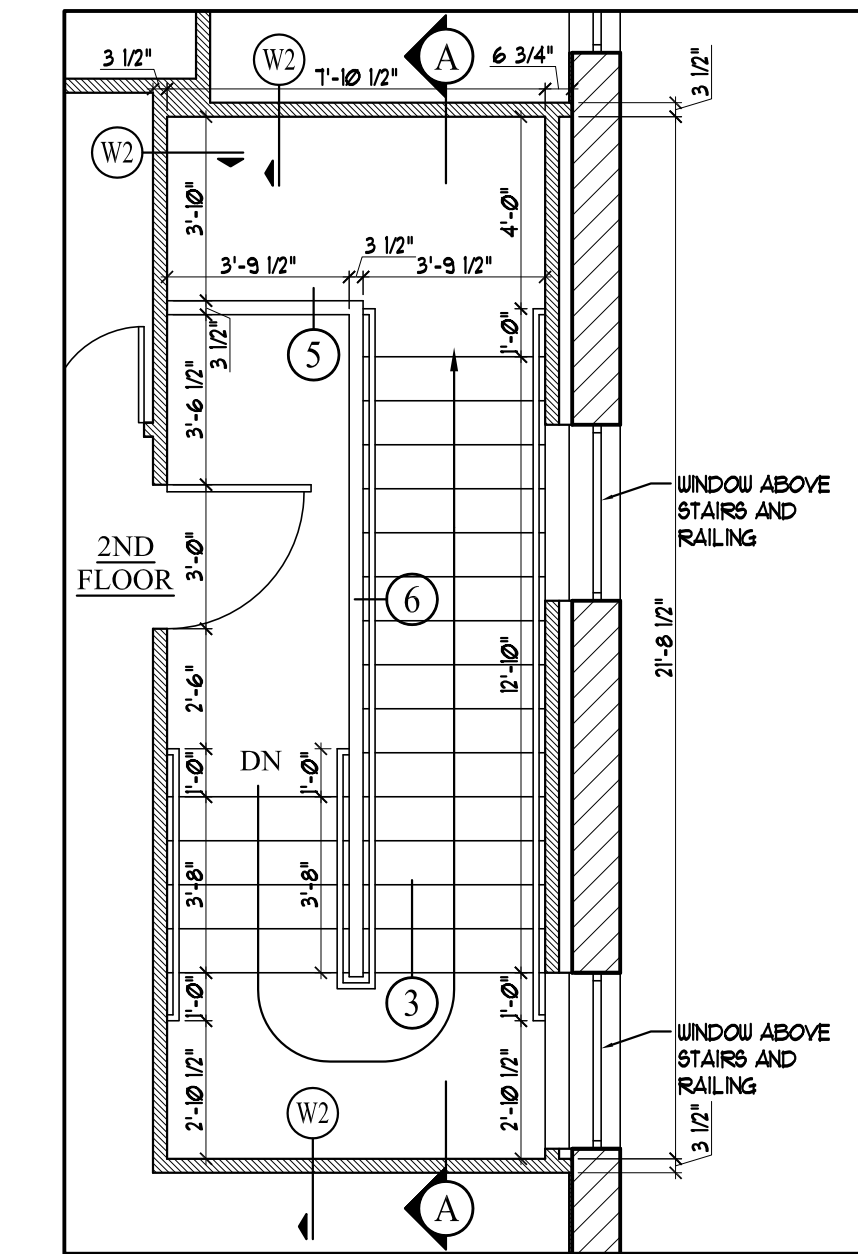


NOTE:
IF DRYWALL MOUNTED PROVIDE
THRU WALL SOLID FIRE RETARDANT
BLOCKING. IF CMU/ CONG. MOUNTED
PROVIDE TOGGLE OR ANCHOR
BOLTS.

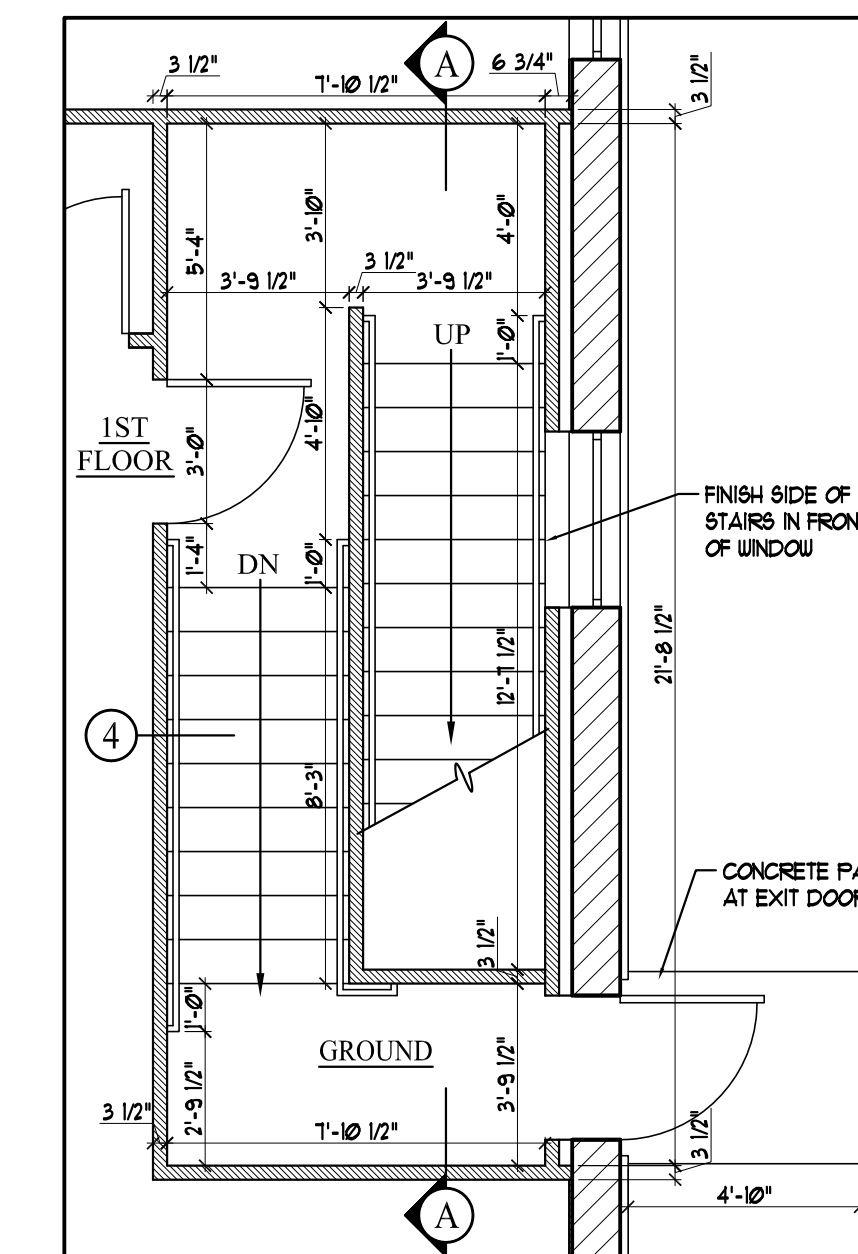
6 | STAIR HANDRAIL DETAIL
SCALE: 3"=1'-0"



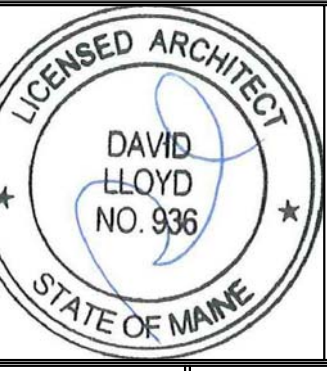
A | STAIR 3 SECTION (STAIR 4 MIRRORED)
SCALE: 1/4"=1'-0"



2 | STAIR 3 SECOND FLOOR PLAN (STAIR 4 MIRRORED)
SCALE: 1/4"=1'-0"



1 | STAIR 3 FIRST FLOOR/GROUND PLAN (STAIR 4 MIRRORED)
SCALE: 1/4"=1'-0"



Prepared For:
The Inn at Diamond Cove, LLC.
PO BOX 3572
PORTLAND, ME 04101

Interior Designer:
truexcellins
INTERIORS
209 BATTERY STREET BURLINGTON, VERMONT 05401 USA
Phone 802.658.2775 800.227.1076
ARCHITECTURE | INTERIOR DESIGN | TRUEXCELLINS.COM

Architect:
ARCHETYPE
architects
48 Union Wharf Portland, Maine 04101
(207) 772-6022 Fax (207) 772-4056

Project:
**THE INN AT
DIAMOND COVE,
LLC**
MCKINLEY COURT
GREAT DIAMOND ISLAND, MAINE

Revisions:
Issued for Construction 01 June 13

Date:
16 May 2013
Scale:
AS NOTED
**STAIR SECTION,
PLANS, AND DETAILS**

A3.21