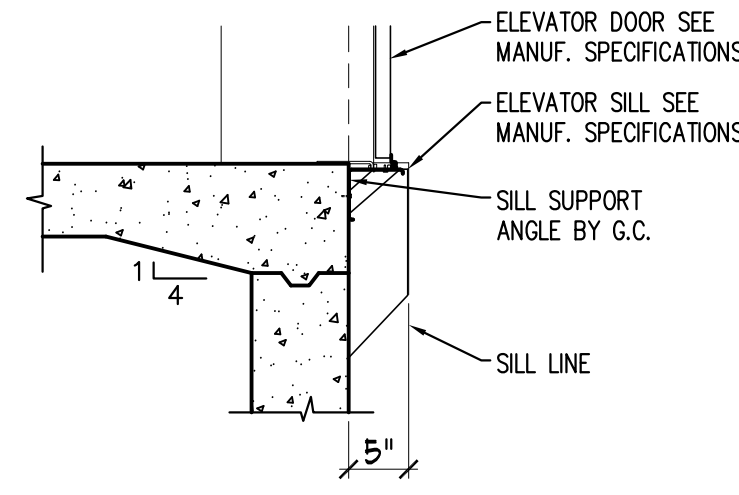
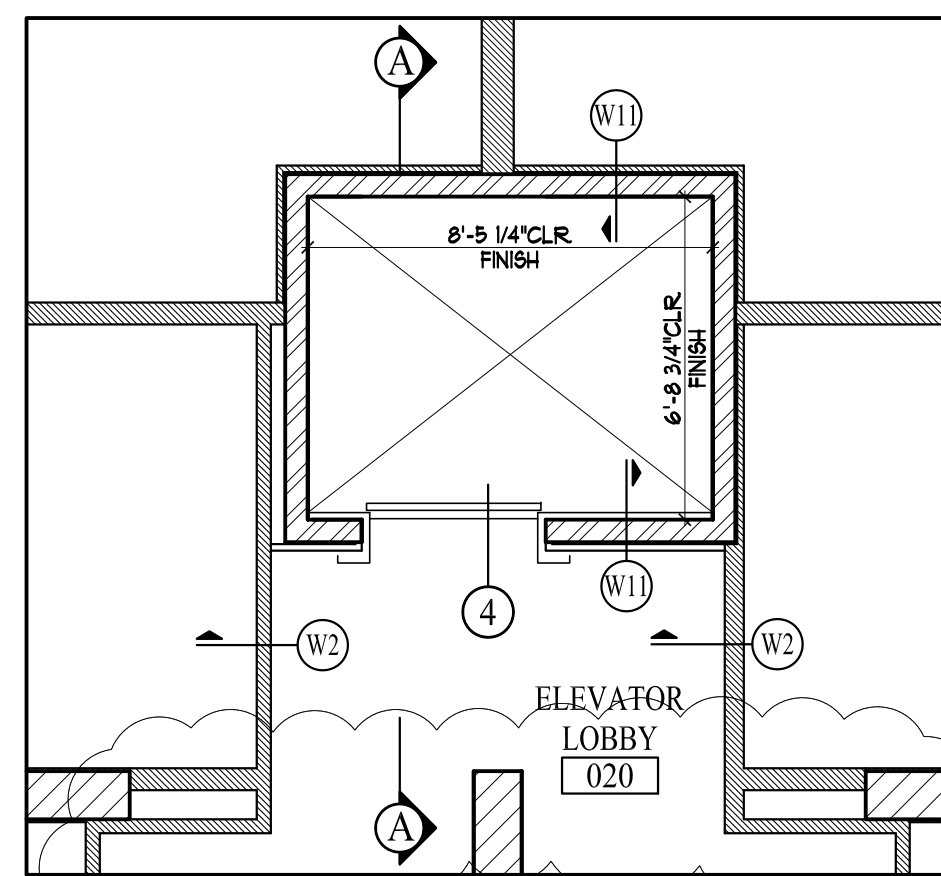


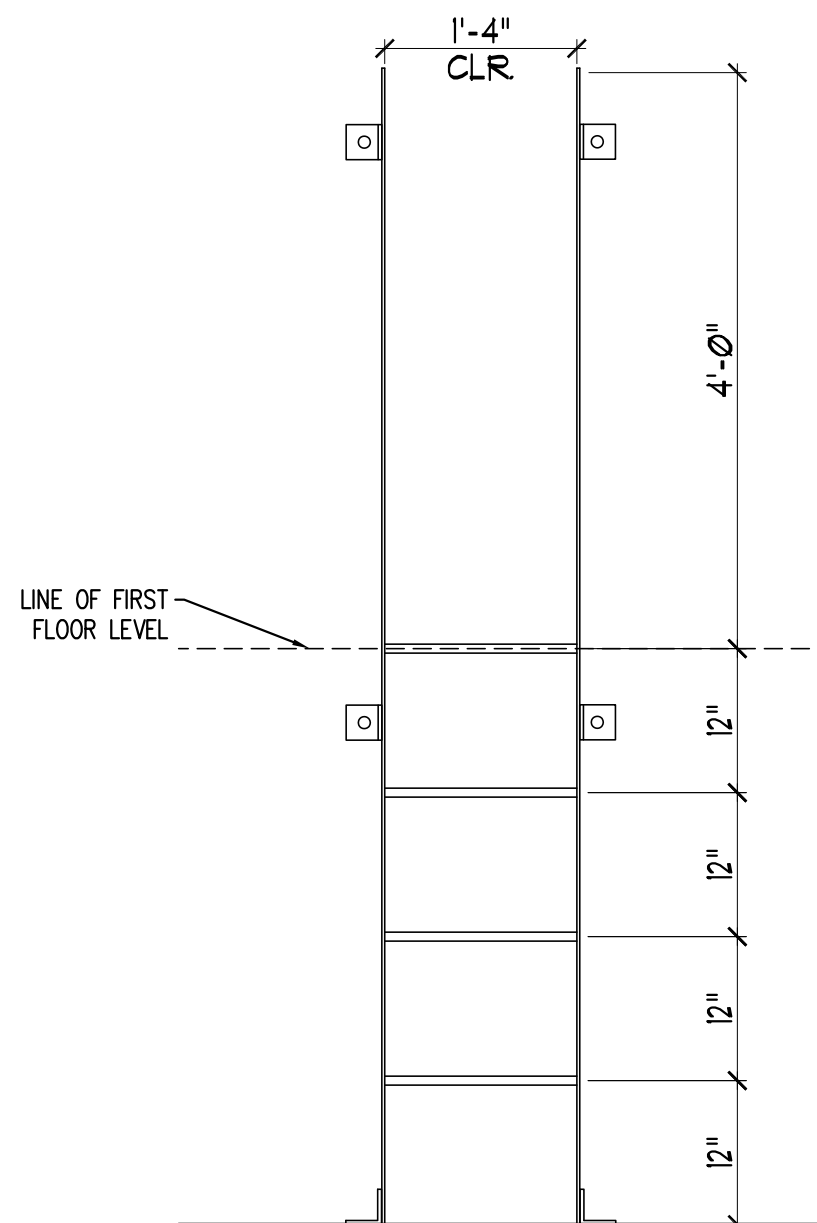
4 | ELEVATOR SILL DETAIL AT WOOD FLOOR
SCALE: 3/4"=1'-0"



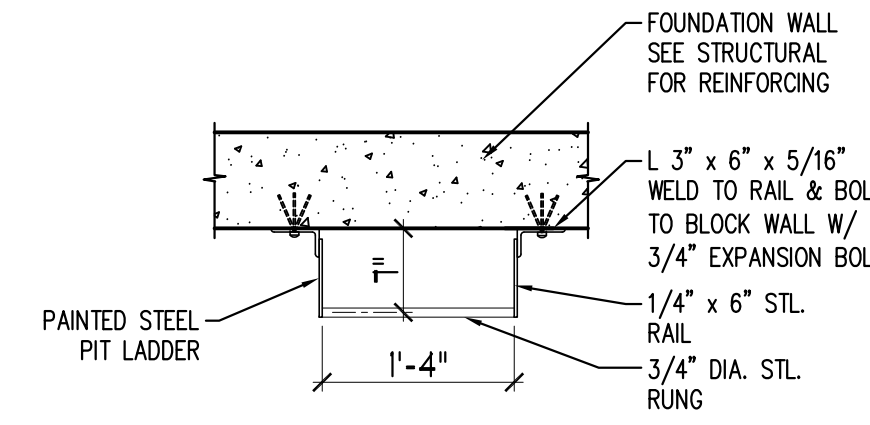
5 | ELEVATOR SILL DETAIL AT CONC. FLOOR
SCALE: 3/4"=1'-0"



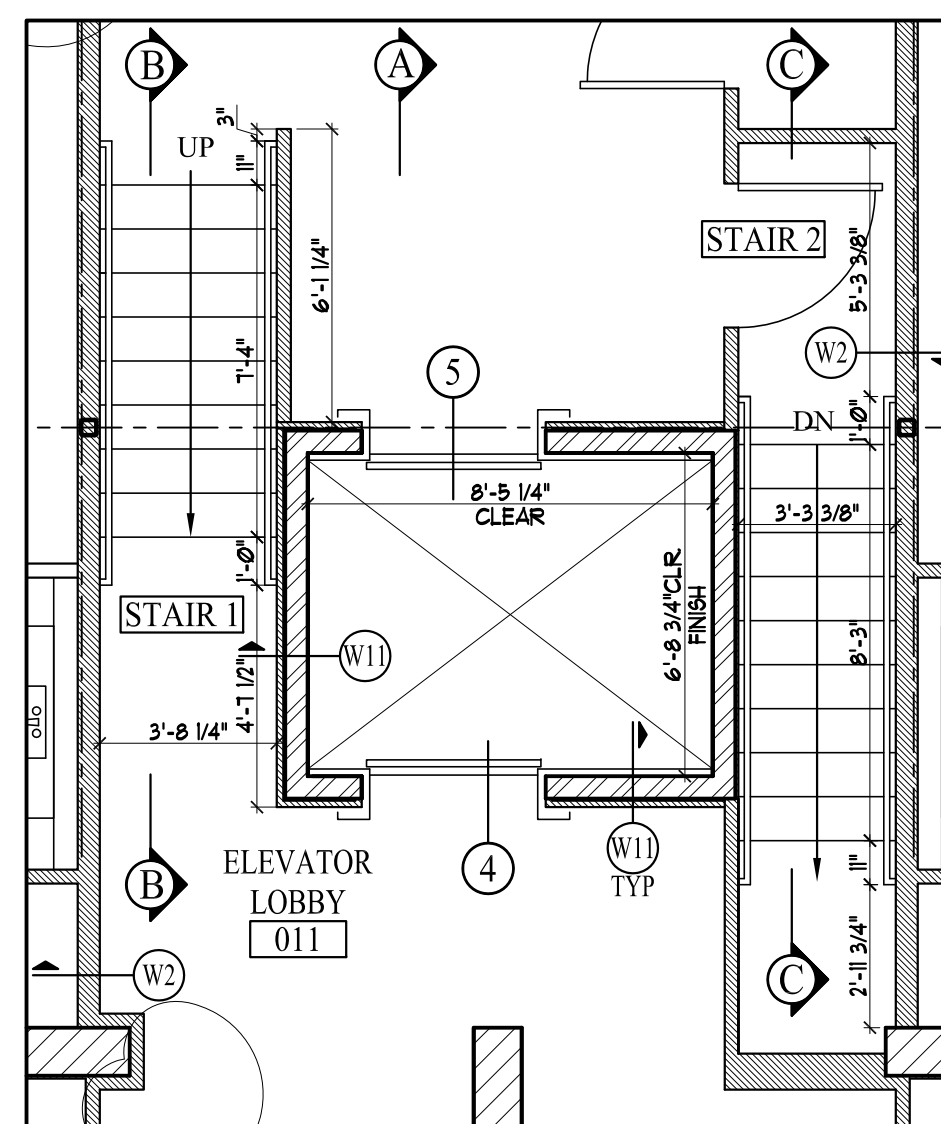
3 | ELEVATOR PLAN - SECOND FLOOR
SCALE: 1/4"=1'-0"



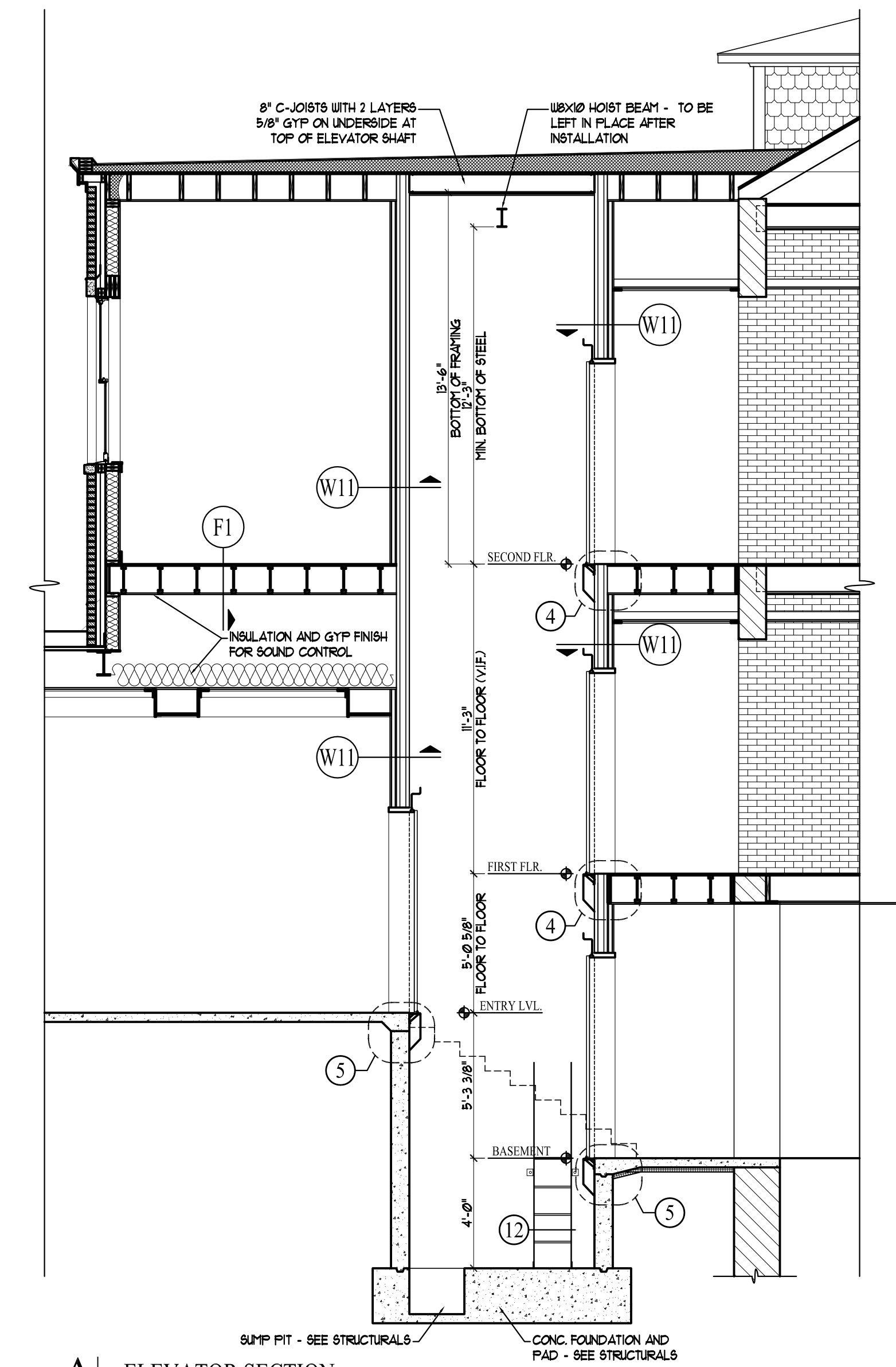
6 | ELEVATOR LADDER ELEVATION DETAIL
SCALE: 3/4"=1'-0"



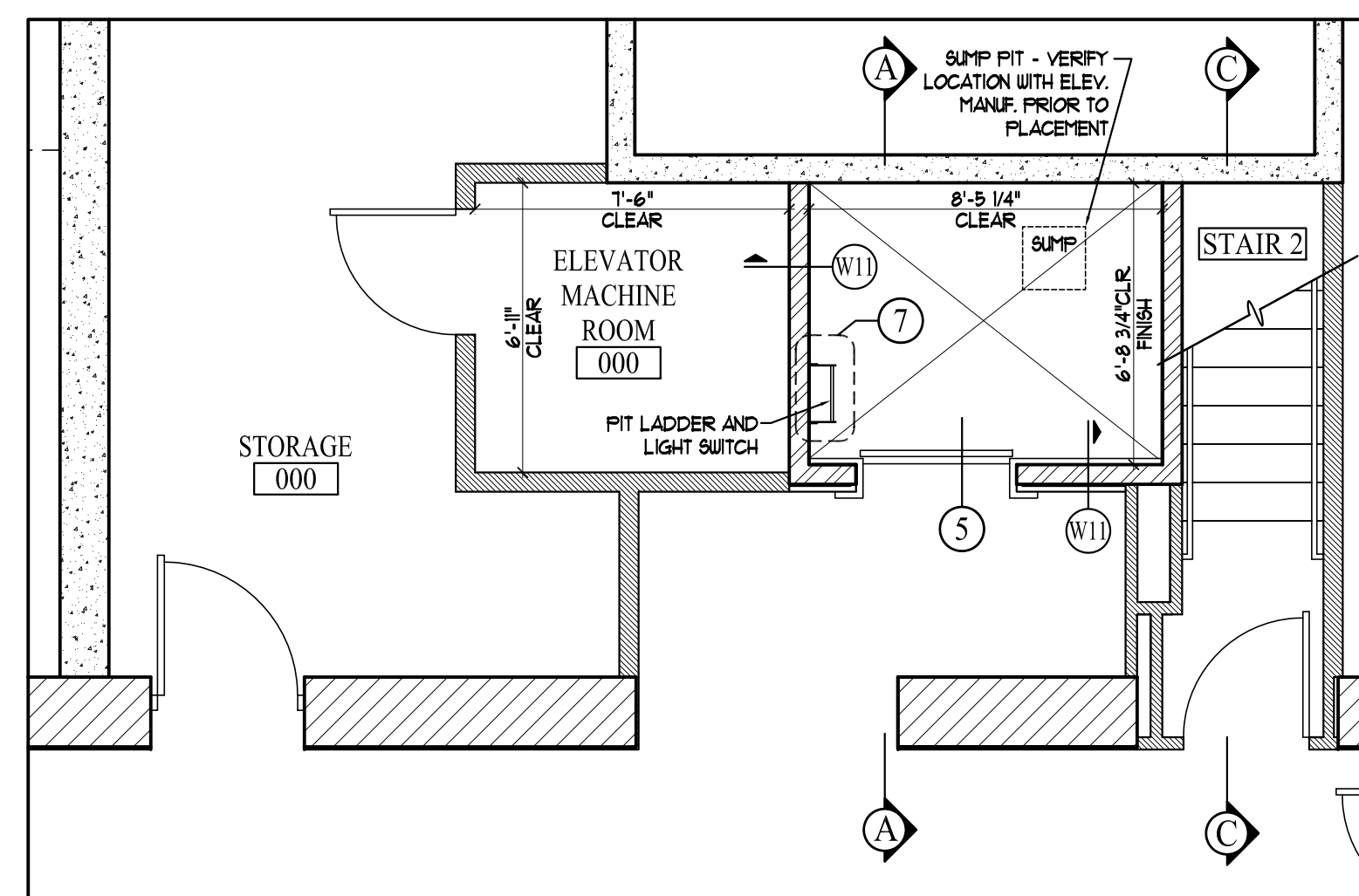
7 | ELEVATOR LADDER SECTION DETAIL
SCALE: 3/4"=1'-0"



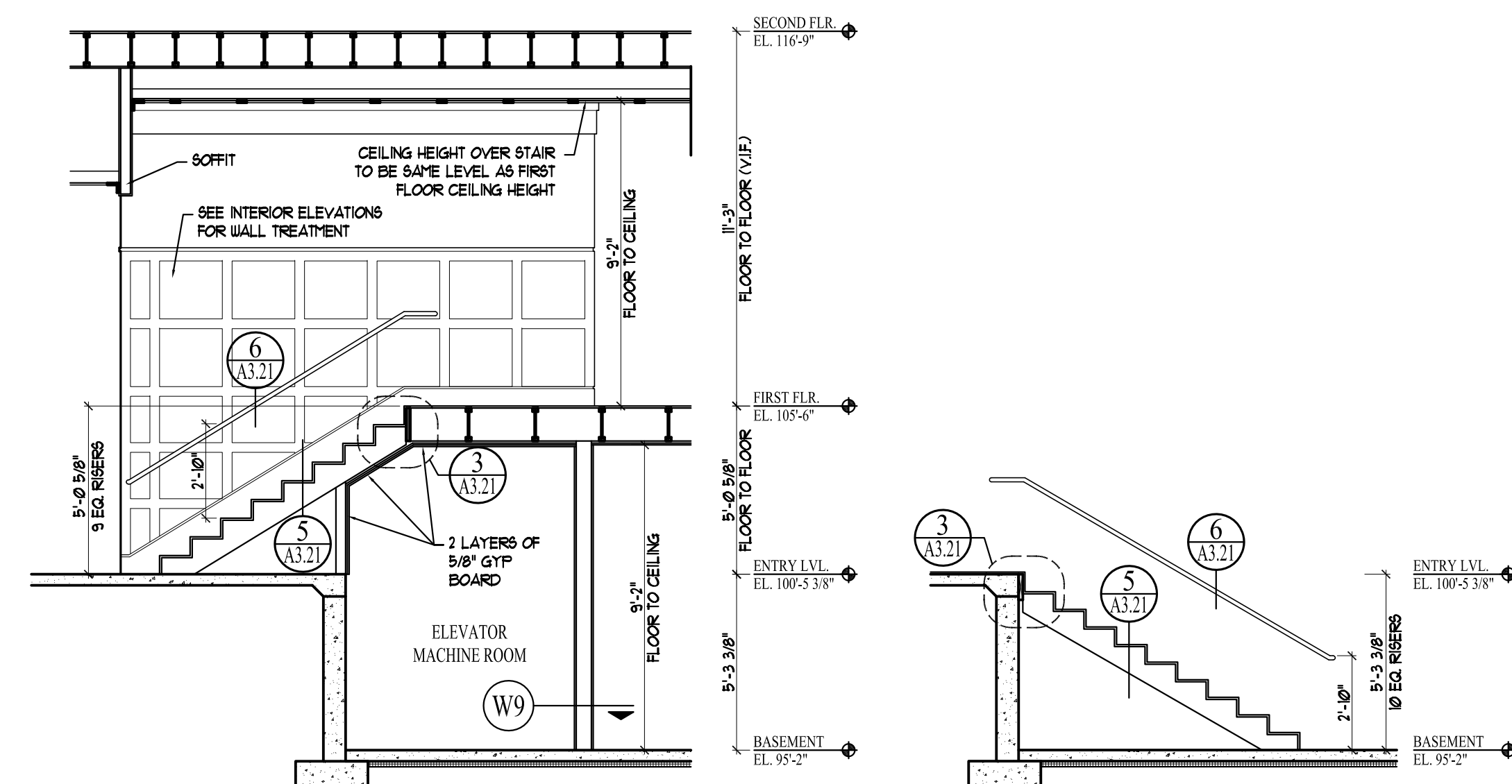
2 | ELEVATOR PLAN - FIRST FLOOR
SCALE: 1/4"=1'-0"



A | ELEVATOR SECTION
SCALE: 1/4"=1'-0"

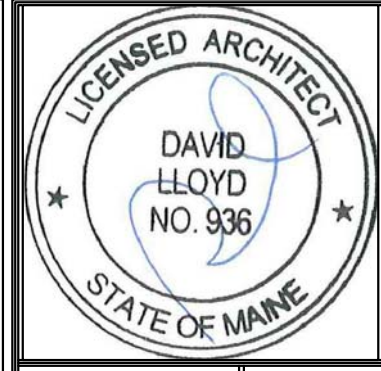


1 | ELEVATOR PLAN - BASEMENT
SCALE: 1/4"=1'-0"



B | STAIR #1 SECTION
SCALE: 1/4"=1'-0"

C | STAIR #2 SECTION
SCALE: 1/4"=1'-0"



Prepared For:
The Inn at Diamond Cove, LLC.
PO BOX 3572
PORTLAND, ME 04101

Interior Designer:
truexcellins
INTERIORS
209 BATTERY STREET BURLINGTON, VERMONT 05401 USA
Phone 802.858.2775 800.227.1076
ARCHITECTURE | INTERIOR DESIGN | TRUEXCCELLINS.COM

Architect:
ARCHETYPE
architects
48 Union Wharf Portland, Maine 04101
(207) 772-6022 Fax (207) 772-4056

Project:
THE INN AT DIAMOND COVE, LLC
MCKINLEY COURT
GREAT DIAMOND ISLAND, MAINE

Revisions:
Issued for Construction 01 June 13

Date: 16 May 2013
Scale: AS NOTED
ELEVATOR SECTION AND DETAILS

A3.20