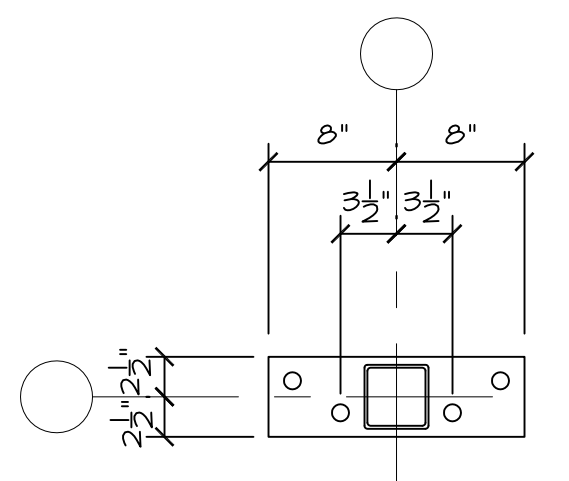
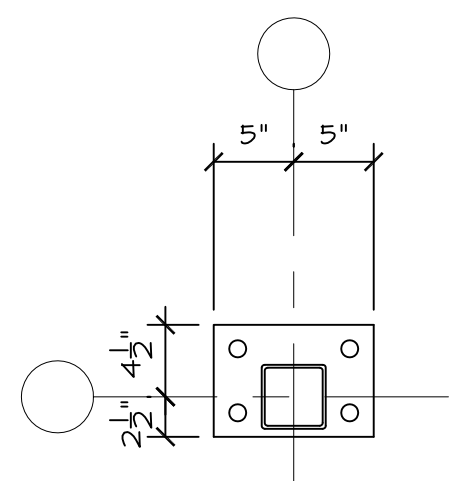


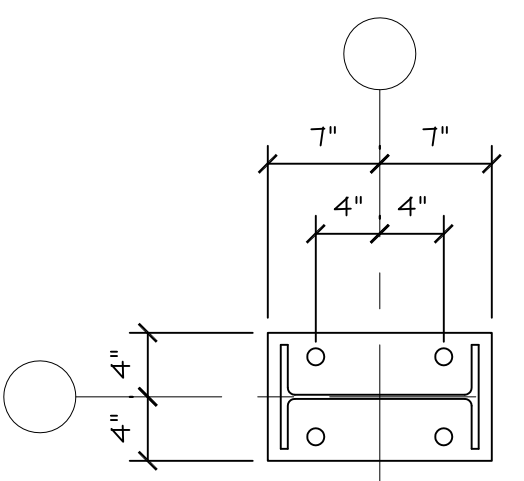
COLUMN SCHEDULE				
COLUMN MARK	SIZE	BOT. OF BASE PL. ELEV.	BASE PL. TYPE	TOP OF COLUMN ELEV.
1-B 1-C 1-D 2-A 3-A 4-B 4-C 4-D	H554x4x3/16	101'-3"	A	113'-8"
1-E 2-E 3-E 4-E	H554x4x3/16	100'-1"	B	113'-8"
2-B 2-D 3-B 3-D	W12x30	99'-11"	C	113'-8"
2-C 3-C	W8x24	99'-11"	D	113'-8"



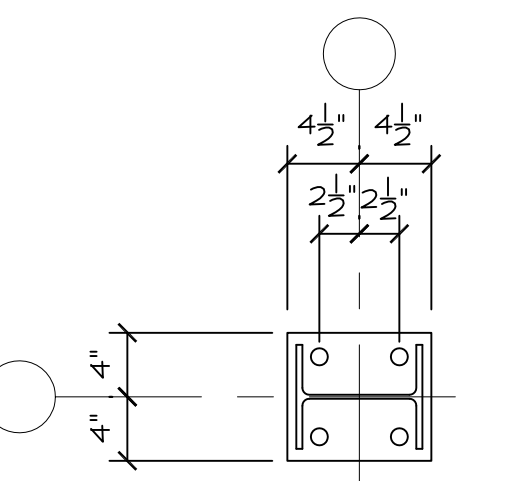
TYPE A
THICKNESS = 5/8"



TYPE B
THICKNESS = 5/8"



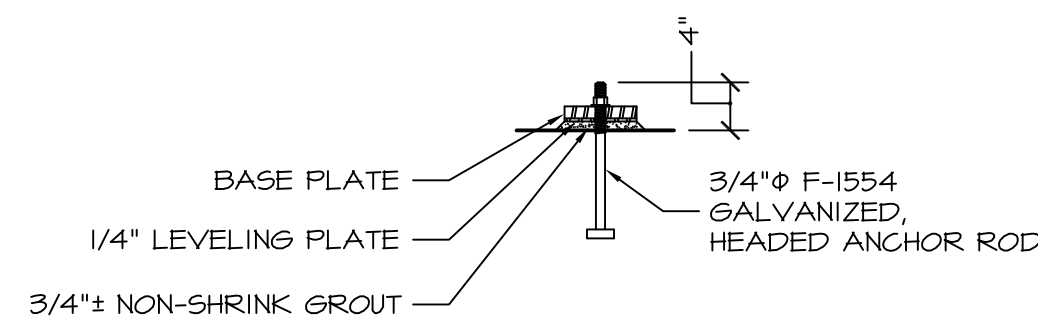
TYPE C
THICKNESS = 3/4"



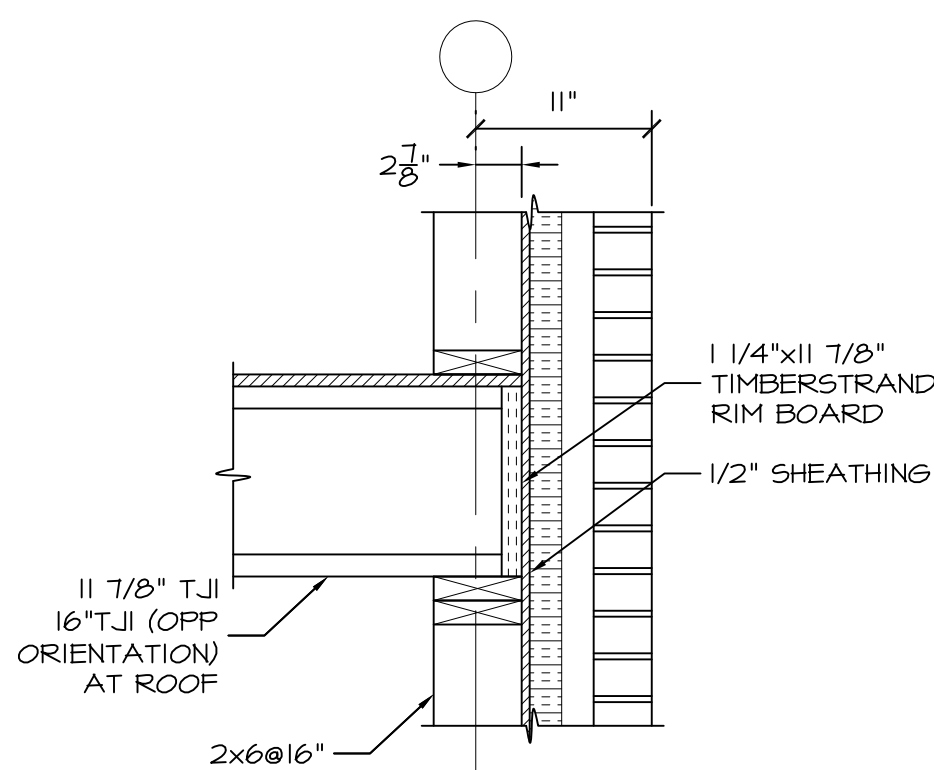
TYPE D
THICKNESS = 3/4"

BASE PLATE DETAILS
1"=1'-0"

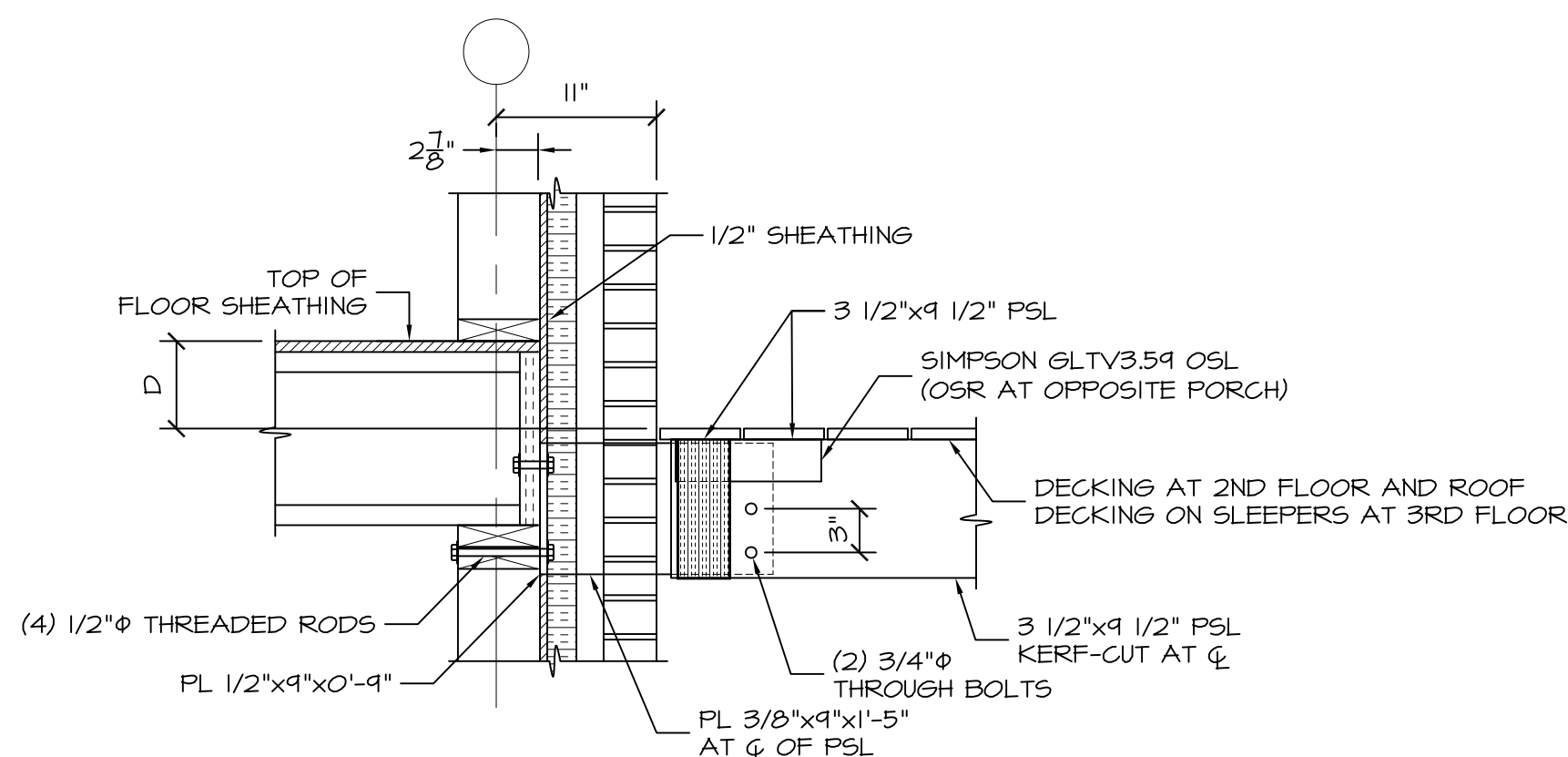
HOLE DIAMETER = 1 1/16"
HOLE EDGE DISTANCE = 1 1/2"



TYPICAL ANCHOR ROD DETAILS
3/4"=1'-0"

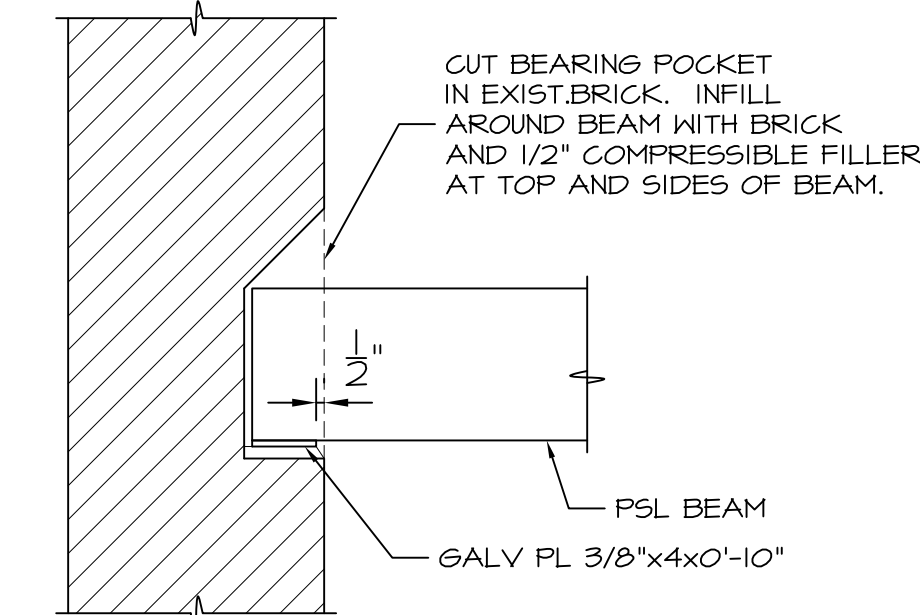


SECTION 1
1"=1'-0" 52.0
53.0
54.0



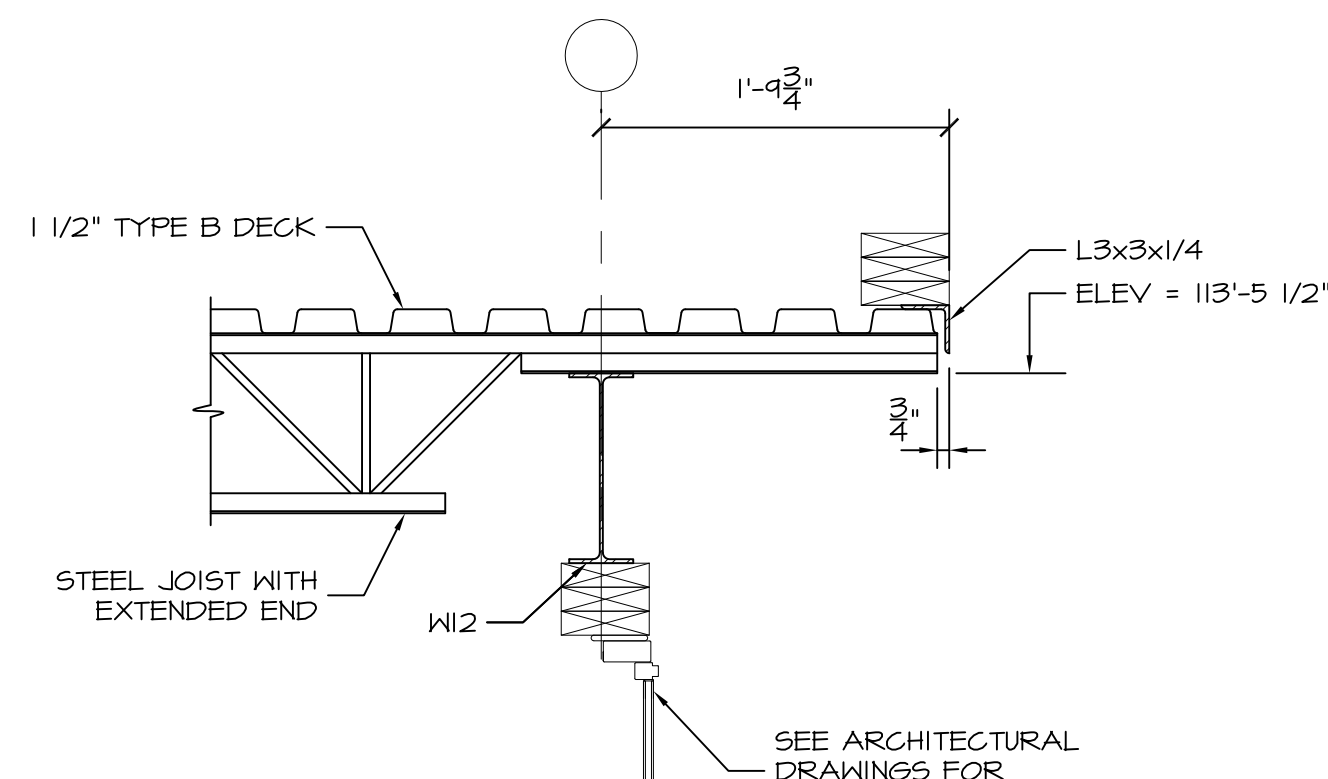
SECTION 2
1"=1'-0" 52.0
53.0
54.0

SEE SECTION 1 FOR FRAMING.
INSTALL 4x10 SOLID BLOCKING
BEHIND 4x4 PLATE WHERE IT ISN'T
BACKED UP WITH RIM OR WALL PLATES.
D=6" AT 1ST FLOOR
D=9" AT 2ND FLOOR
D=1'-8" AT ROOF

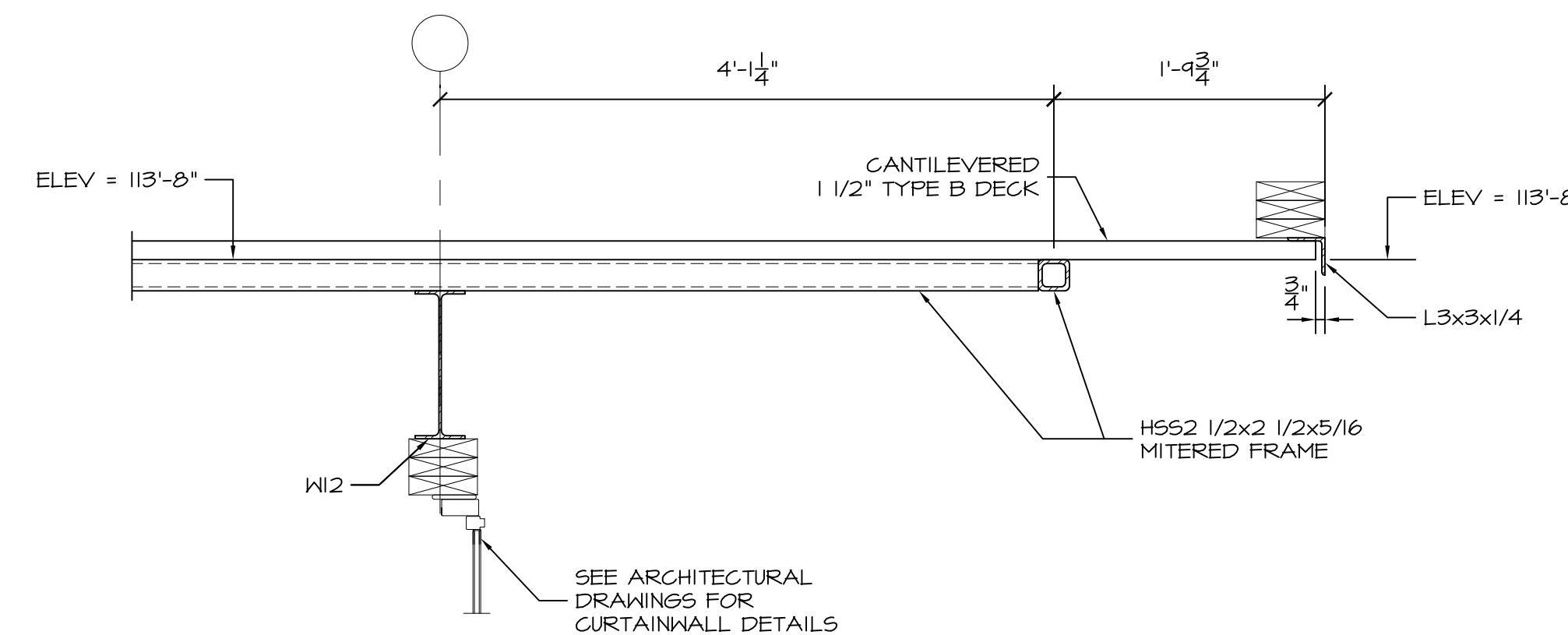


SECTION 3
1"=1'-0" 52.0
53.0
54.0

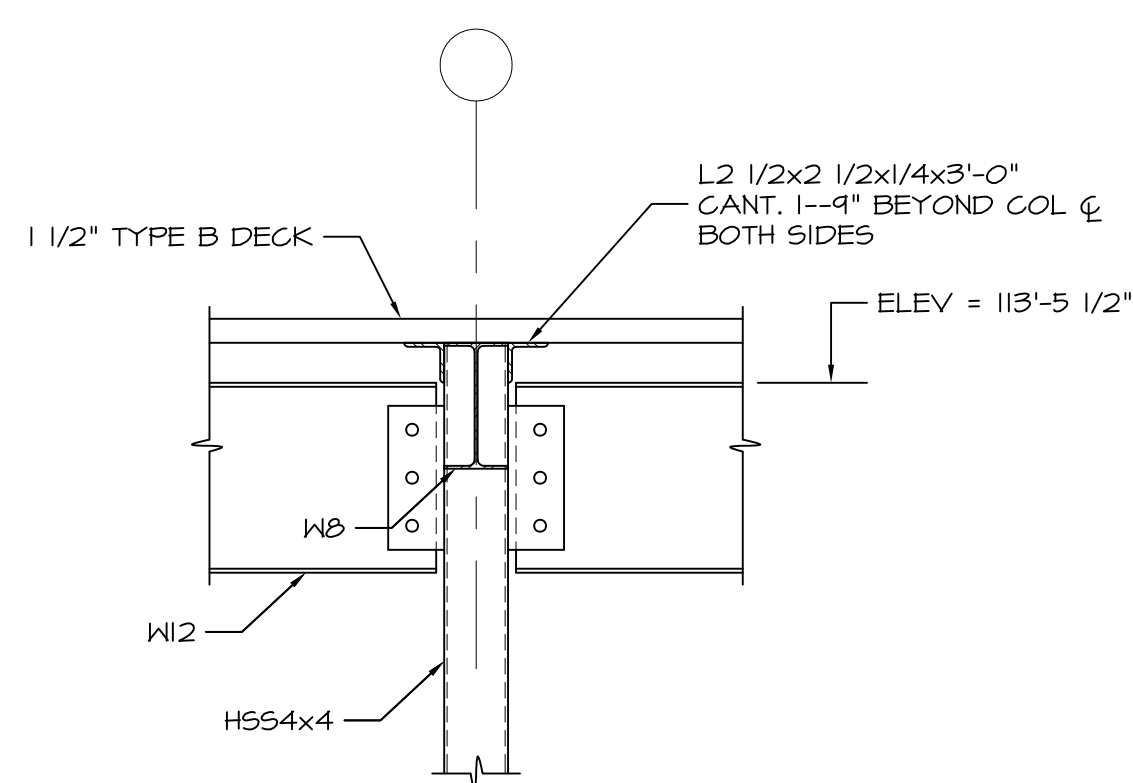
TYPICAL AT ALL NEW BEAMS
BEARING ON EXISTING BRICK WALLS



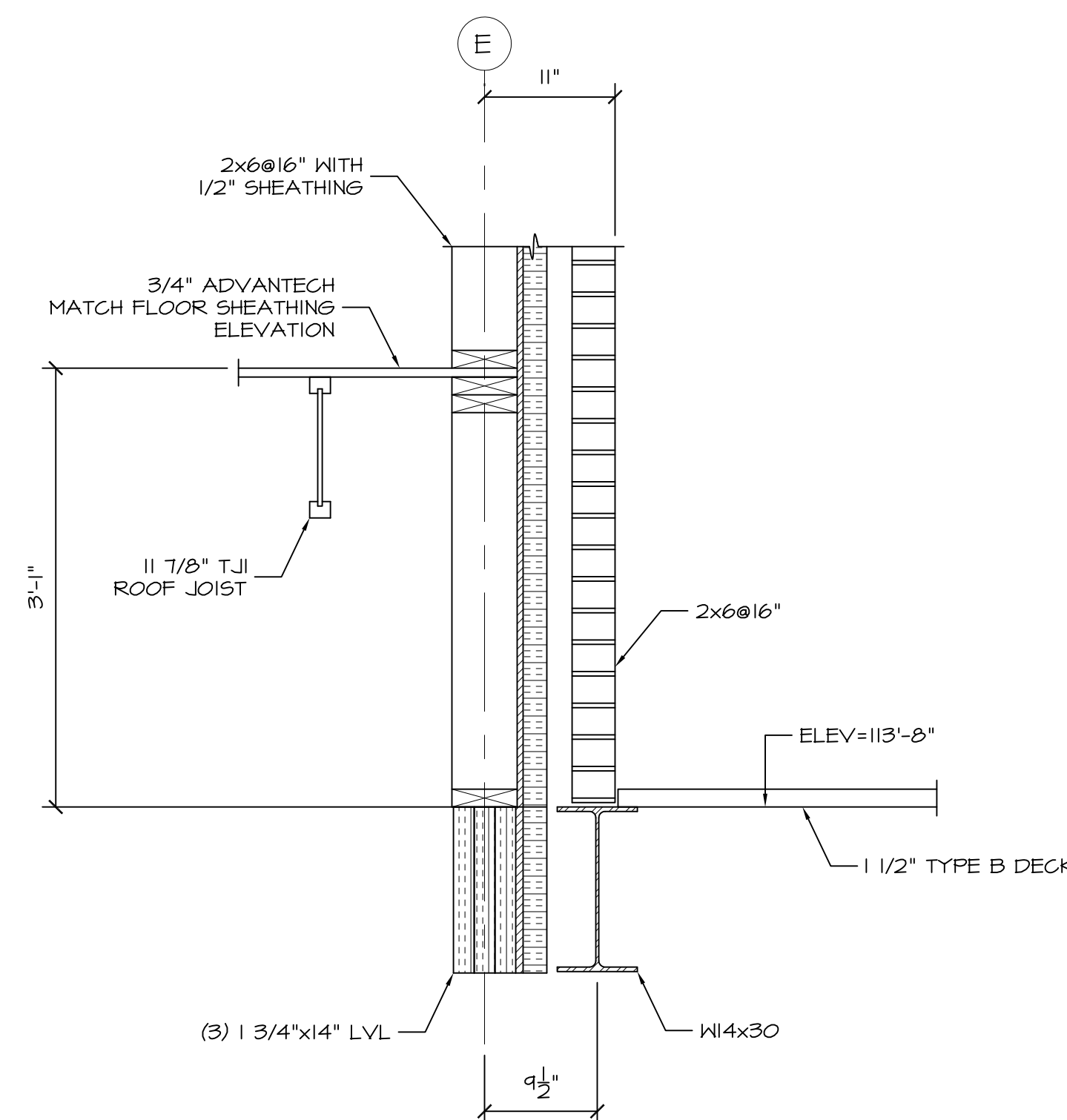
SECTION 4
1"=1'-0" 53.0



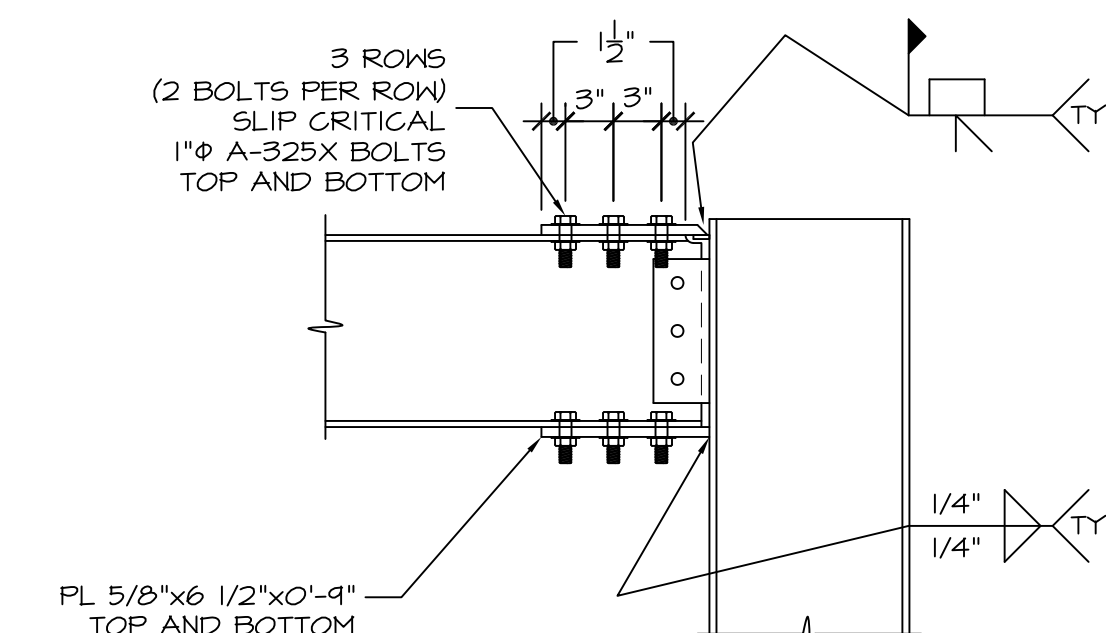
SECTION 5
1"=1'-0" 53.0



SECTION 6
1"=1'-0" 53.0



SECTION 8
1"=1'-0" 53.0



TYPICAL MOMENT CONNECTION
1"=1'-0"

Prepared For:
**The Inn at Diamond
Cove, LLC.**

PO BOX 3572
PORTLAND, ME 04101

Structural Engineer:
**STRUCTURAL
DESIGN
CONSULTING**
22 Oakmont Drive
Old Orchard Beach, ME 04064
Tel: 207.954.8938
Fax: 207.954.8939

Architect:
**ARCHETYPE
architects**
48 Union Wharf Portland, Maine 04101
(207) 772-6022 Fax (207) 772-4056

Project:
**THE INN AT
DIAMOND COVE,
LLC**
McKINLEY COURT
GREAT DIAMOND ISLAND, MAINE

Revisions:
Date: 04 March 2013
Scale: As Noted
**COLUMN SCHEDULE
AND
FRAMING SECTIONS**

S7.0