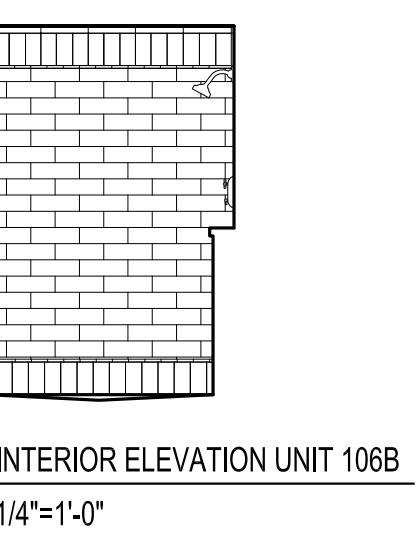
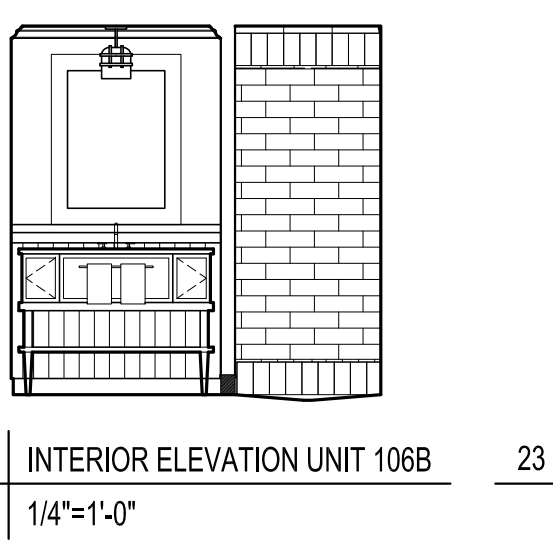
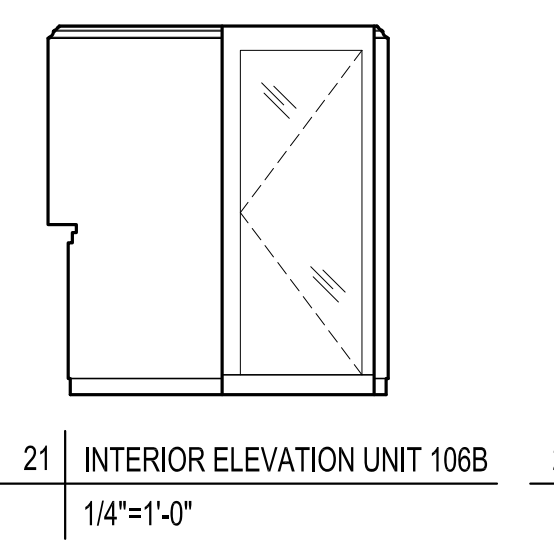
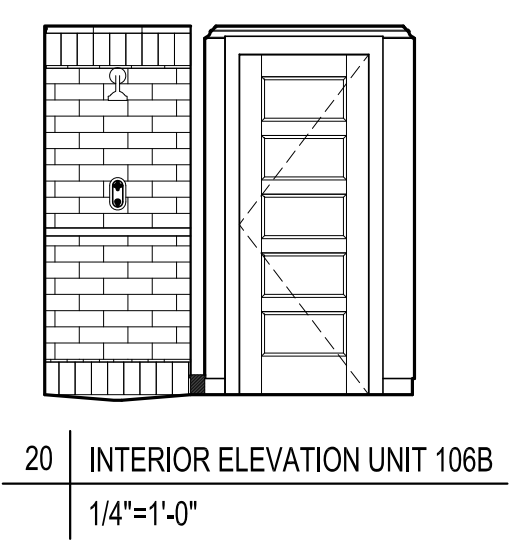
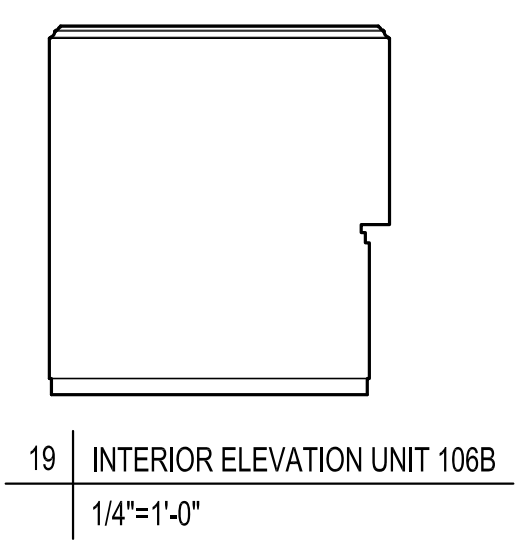
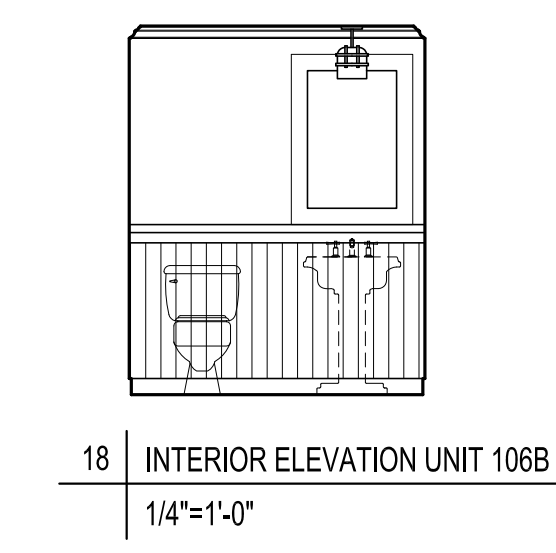
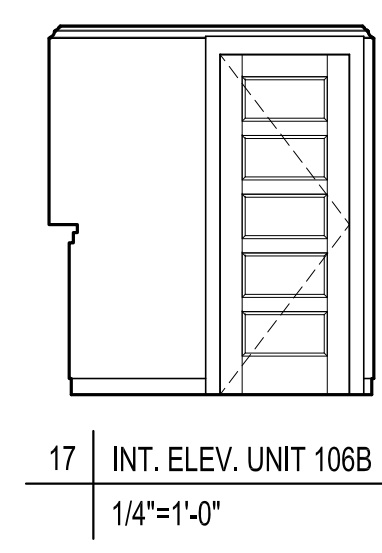
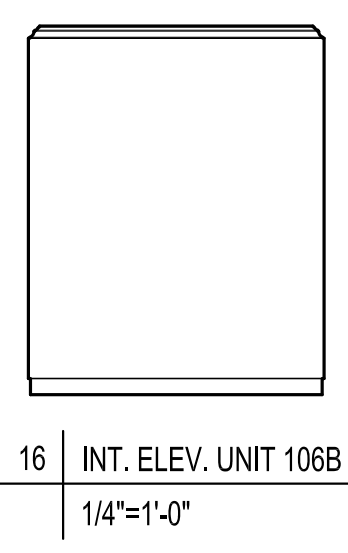
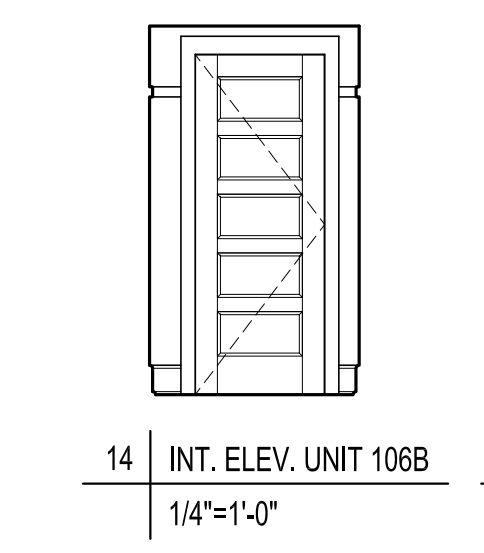
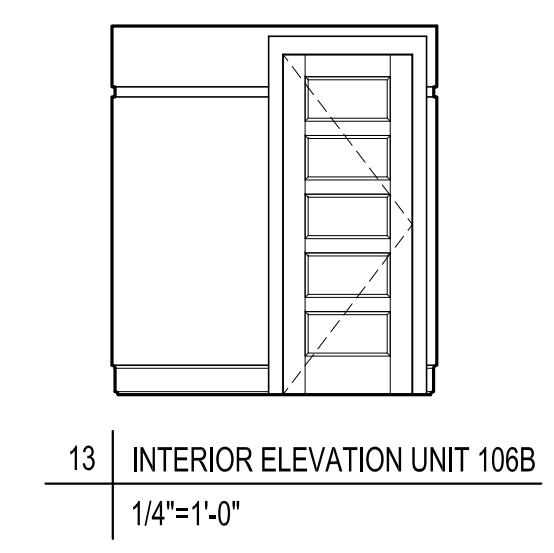
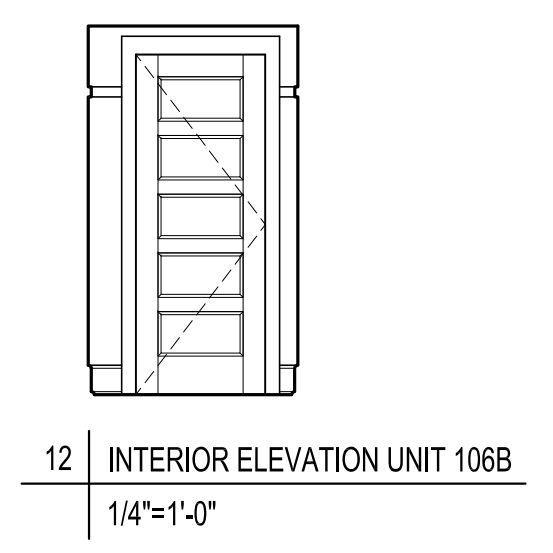
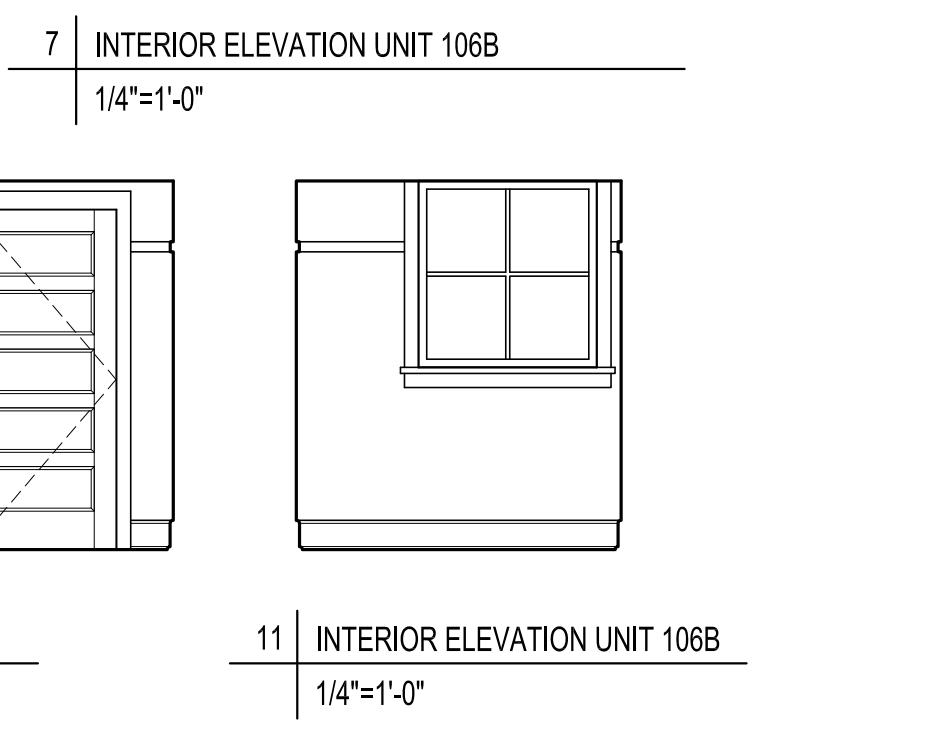
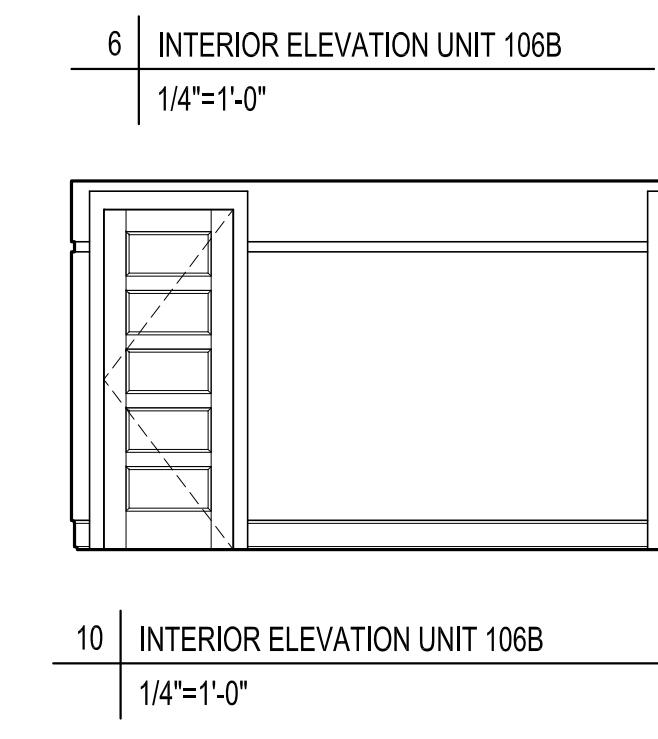
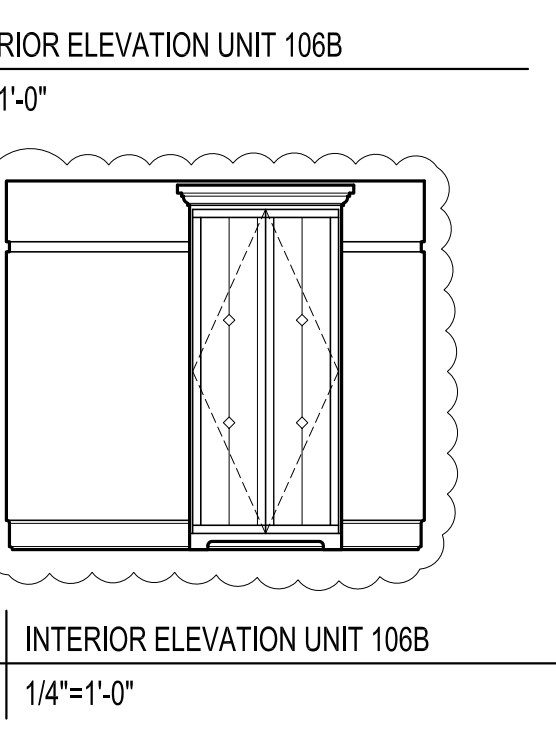
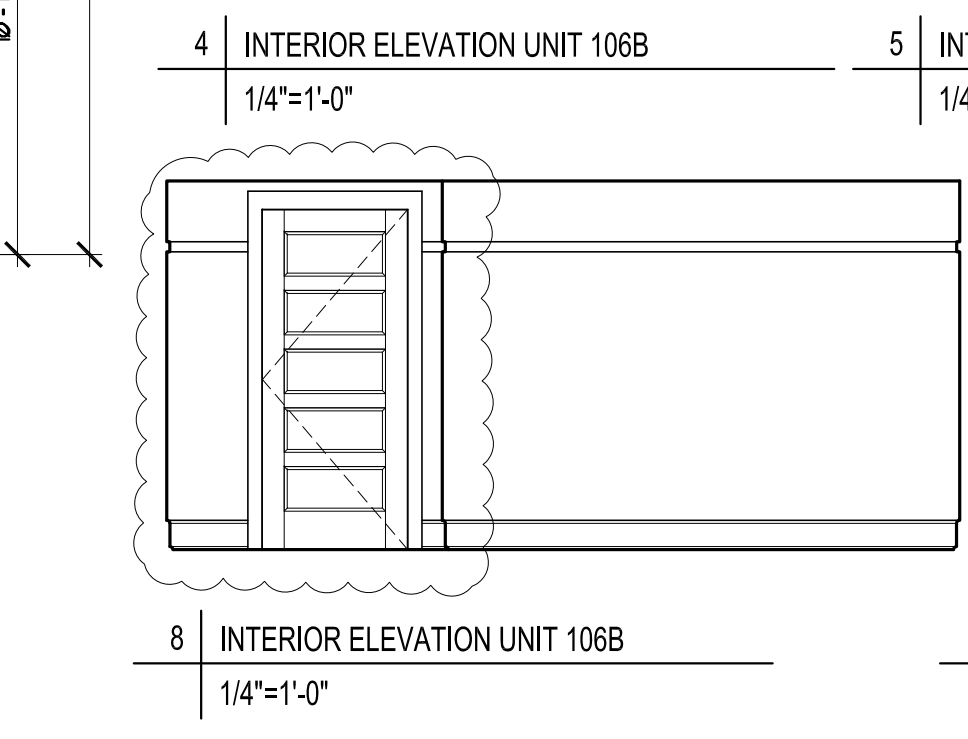
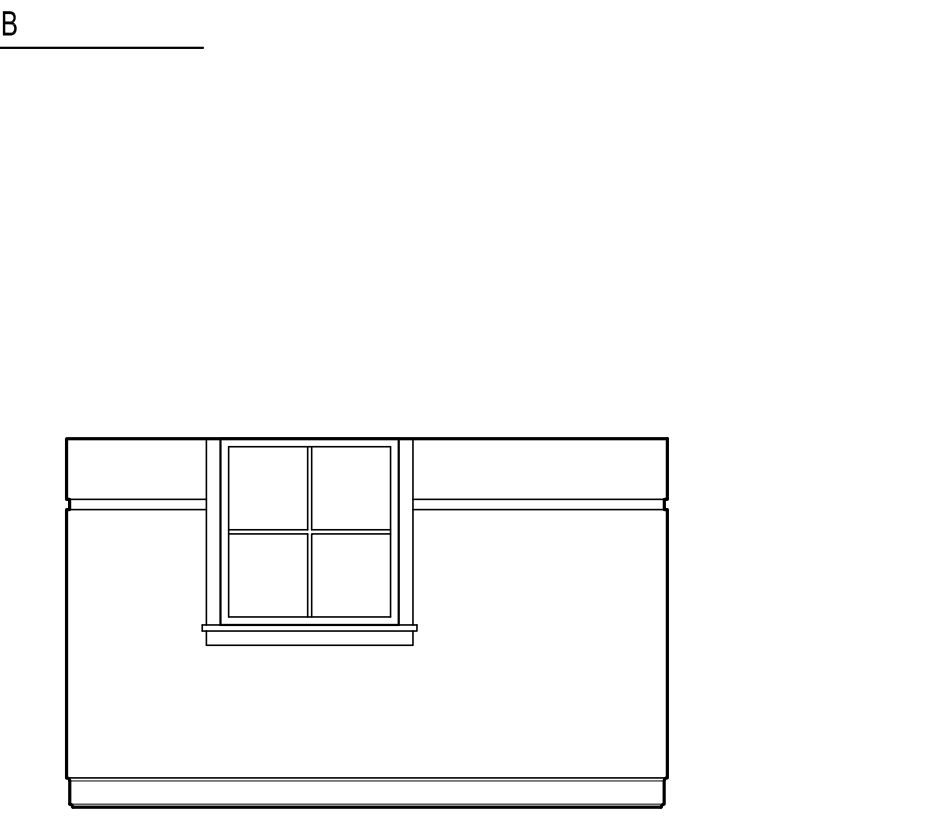
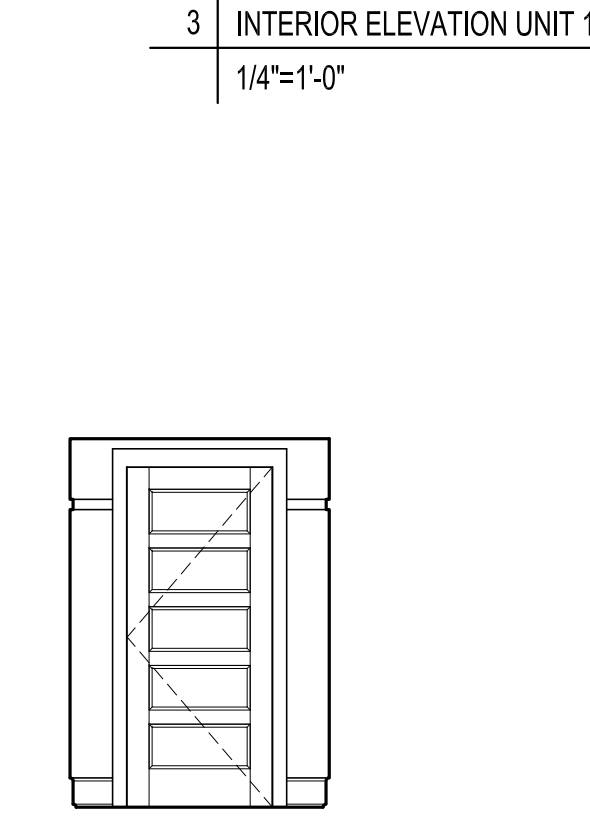
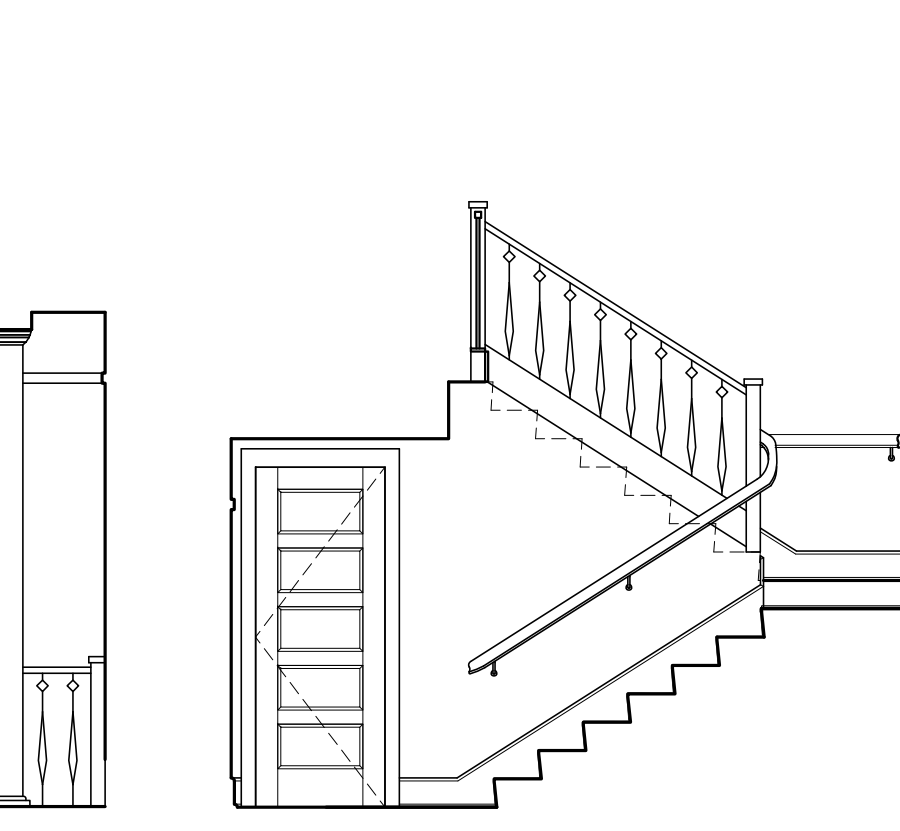
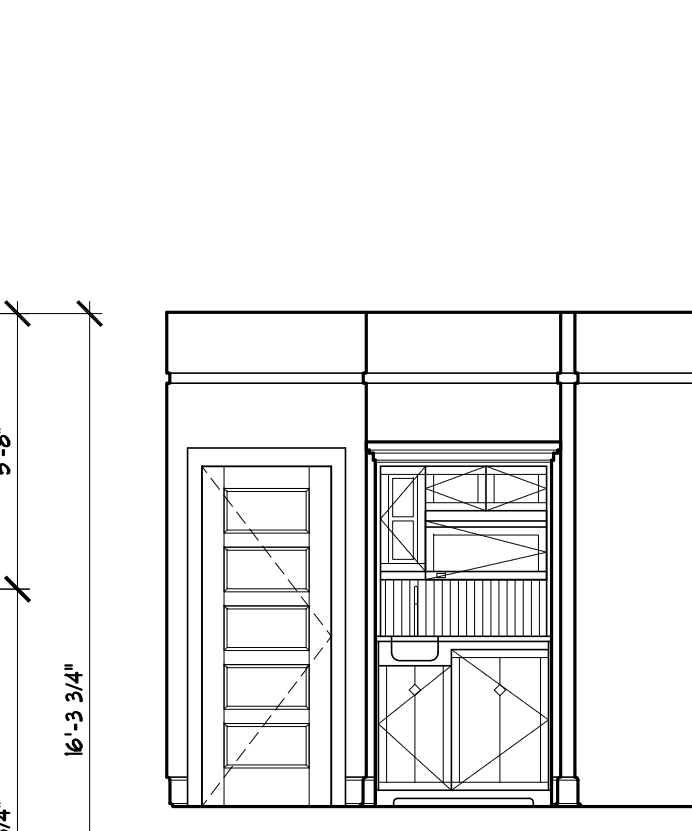
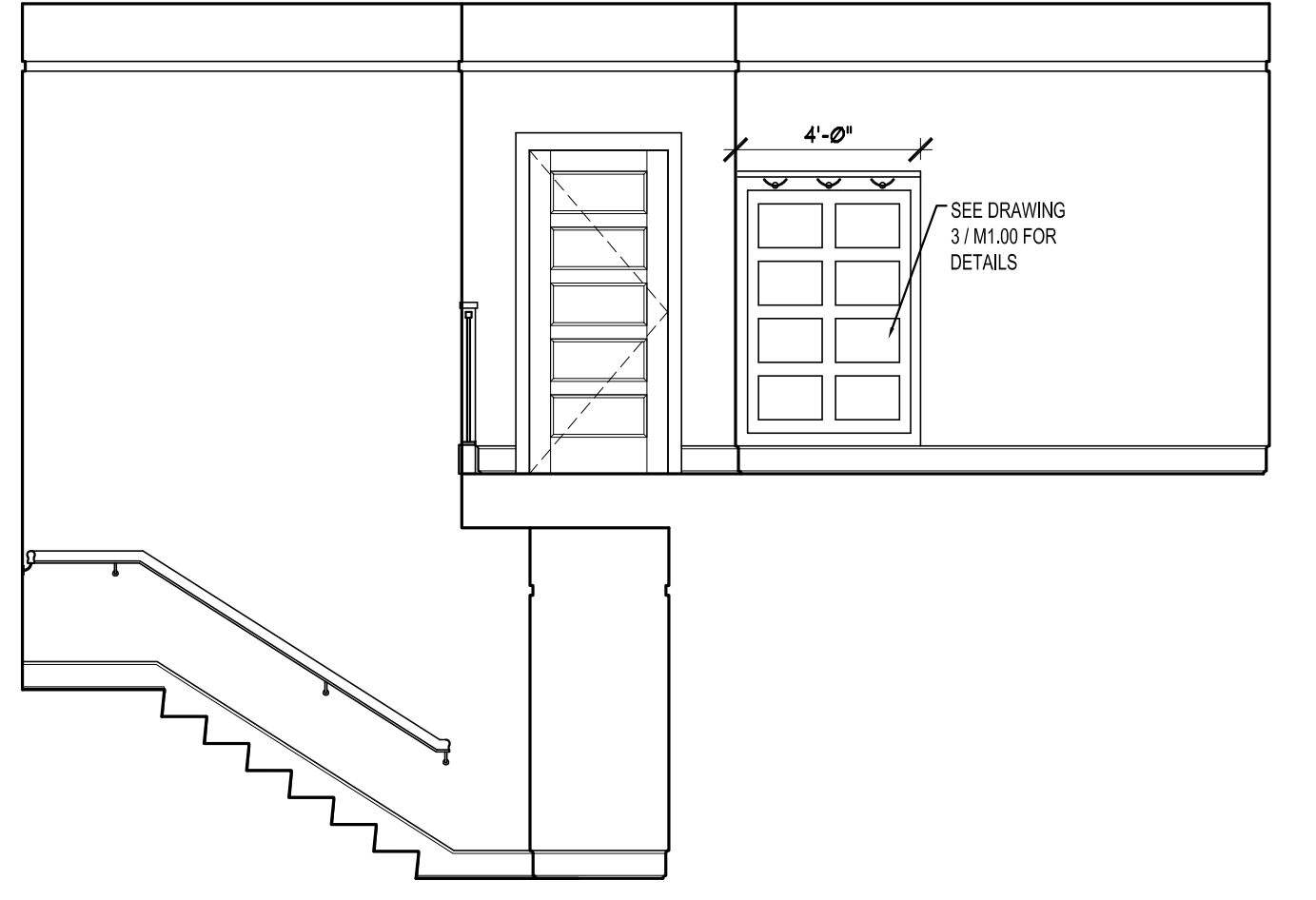
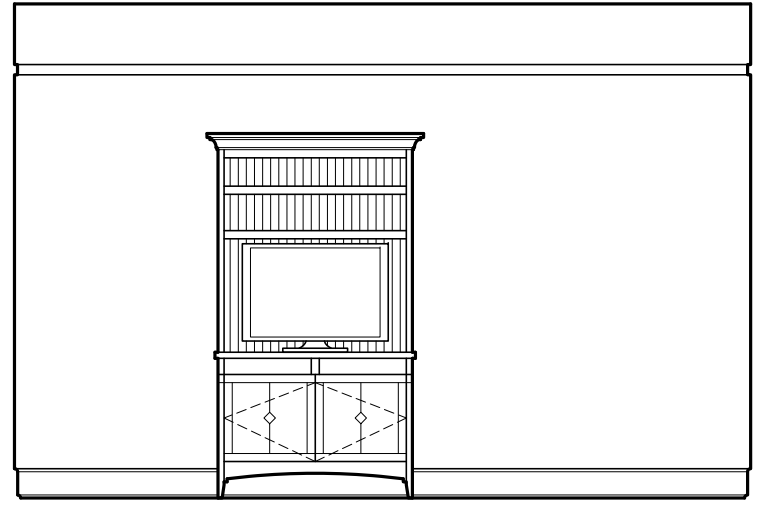
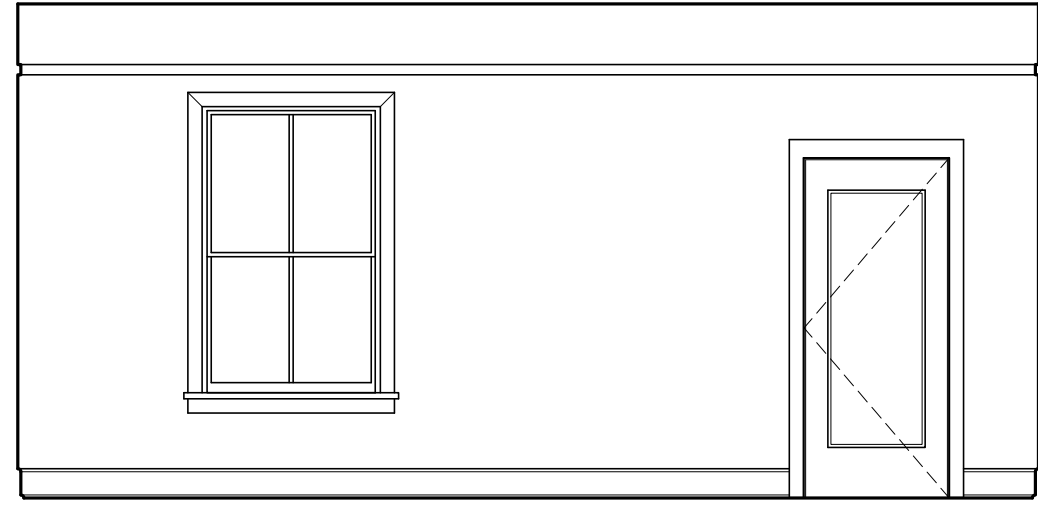
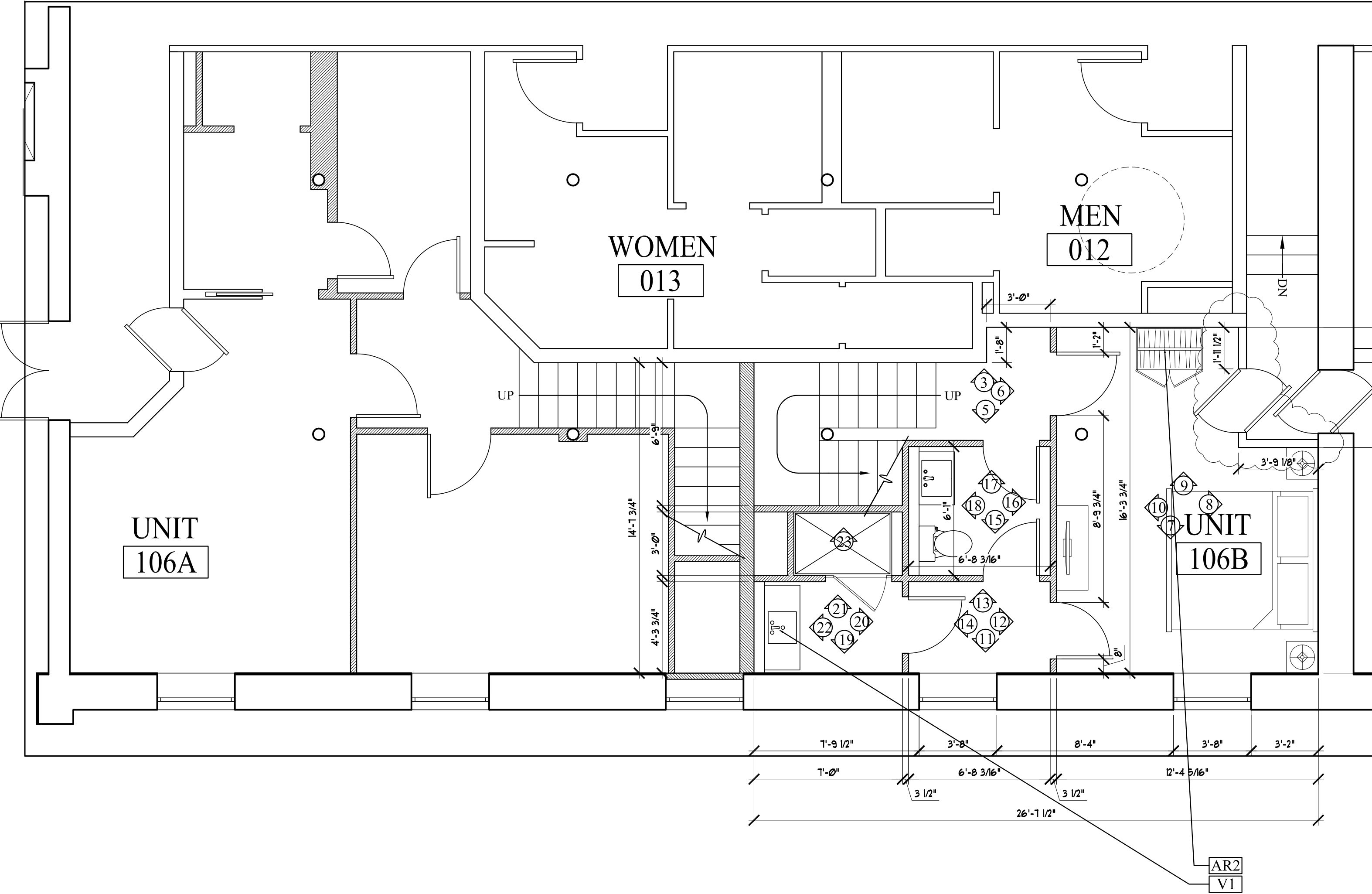
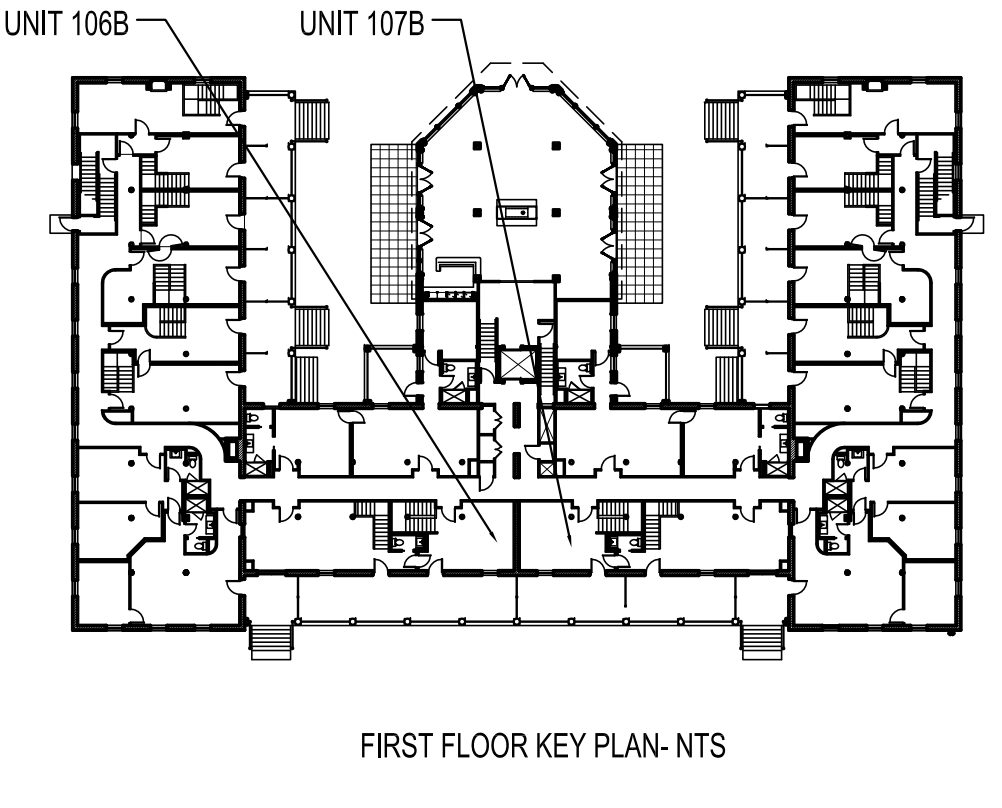
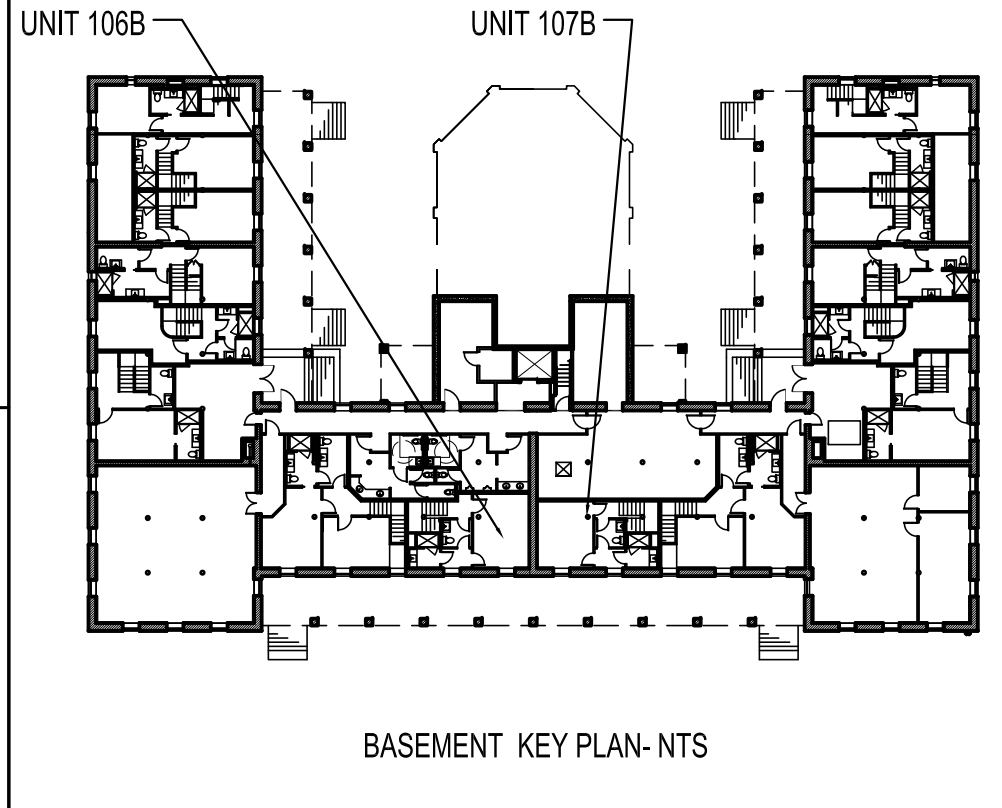


NOTES:
 -UNIT 106 B SHOWN- 108 B IS MIRRORED
 -REFER TO M1.00 FOR MILLWORK DETAILS



Prepared For:
The Inn at Diamond Cove, LLC.
 PO BOX 3572
 PORTLAND, ME 04101

Interior Designer:
truexcollins
 INTERIORS
 208 BATTERY STREET BURLINGTON, VERMONT 05401 USA
 Phone 802-688-2775 @30.227.1076
 ARCHITECTURE INTERIOR DESIGN @TRUXCOLLINS.COM

Architect:
ARCHETYPE architects
 48 Union Wharf Portland, Maine 04101
 (207) 772-6022 Fax (207) 772-4056

Project:
THE INN AT DIAMOND COVE, LLC
 McKINLEY COURT
 GREAT DIAMOND ISLAND, MAINE

Revisions:

Date: 04 March 2013
 Scale: As Noted

INTERIOR ELEVATIONS
UNIT 106B, 108B

A9.12