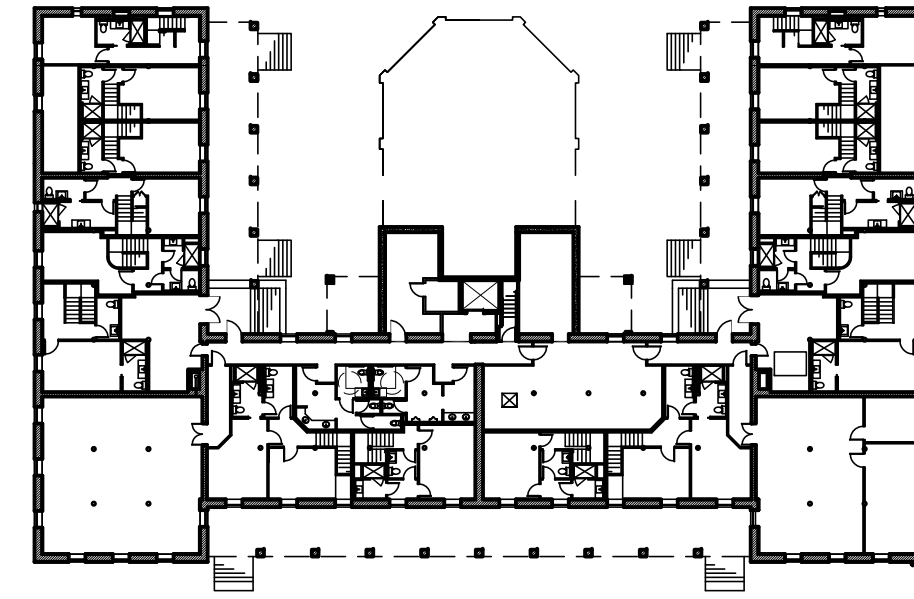
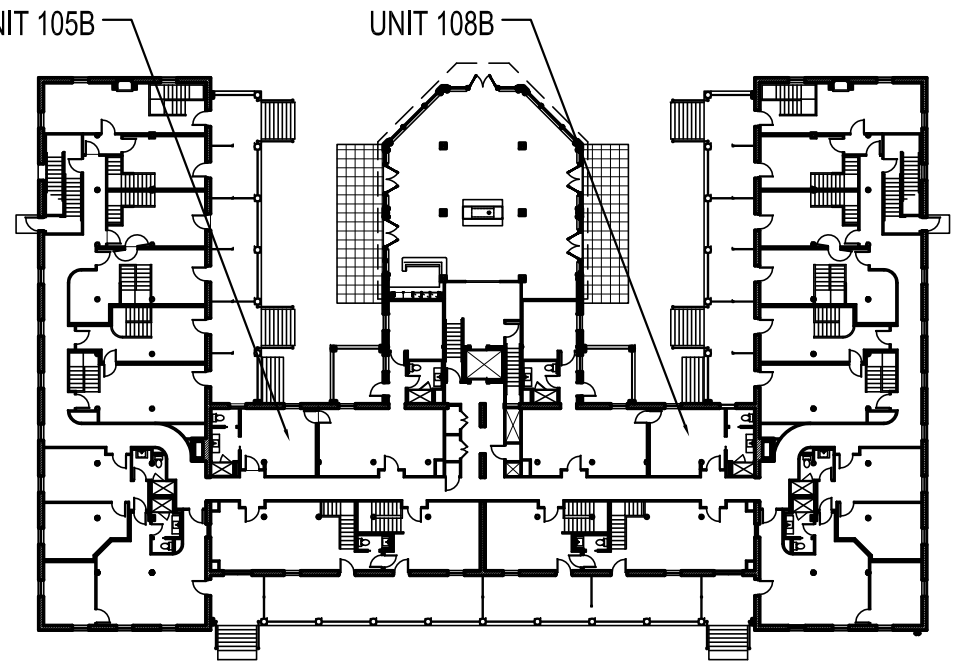


NOTES:
-REFER TO M1.00 FOR
MILLWORK DETAILS



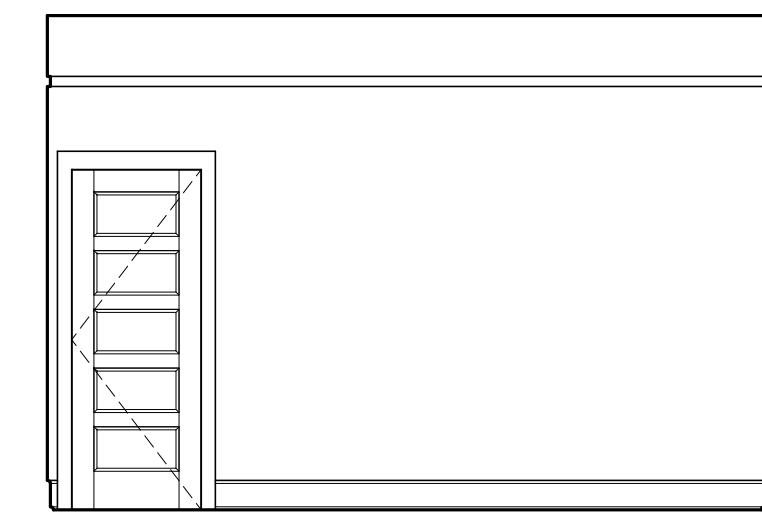
BASEMENT KEY PLAN-NTS



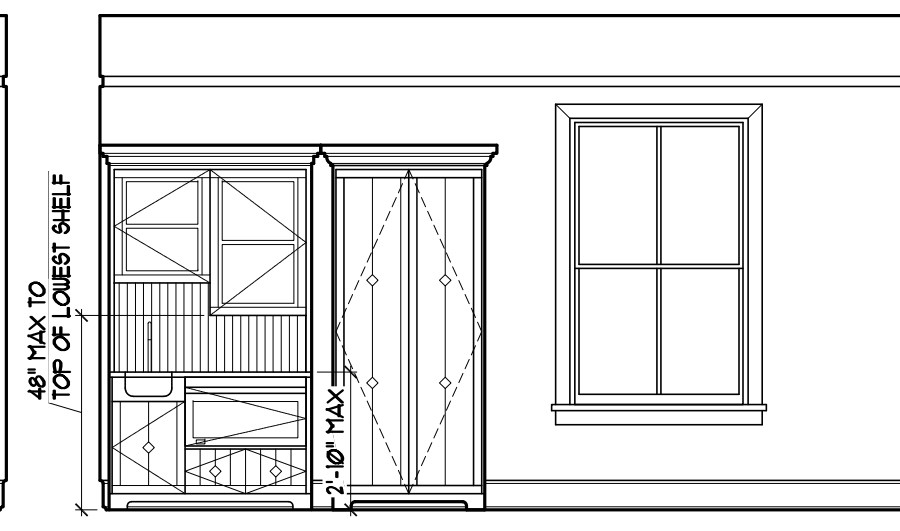
FIRST FLOOR KEY PLAN-NTS



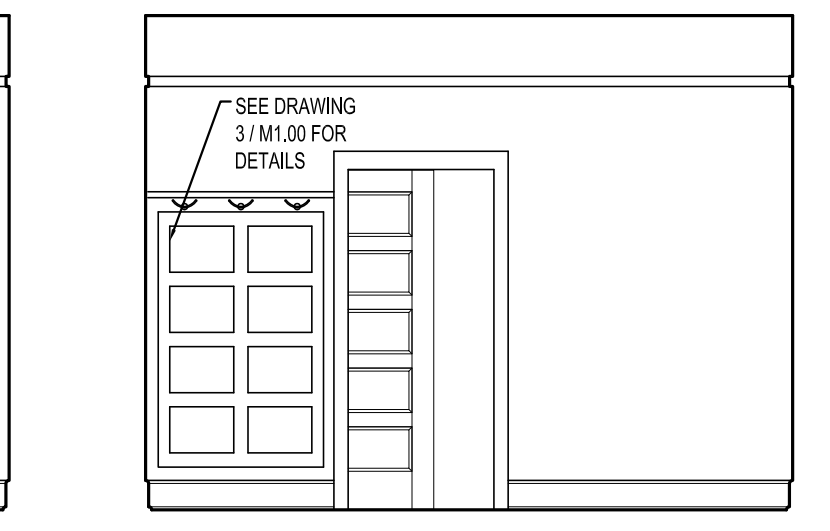
1 | INTERIOR ELEVATION UNIT 105B
1/4"=1'-0"



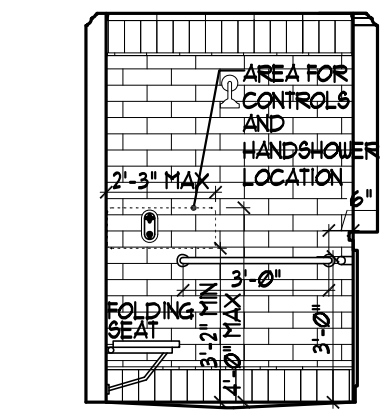
2 | INTERIOR ELEVATION UNIT 105B
1/4"=1'-0"



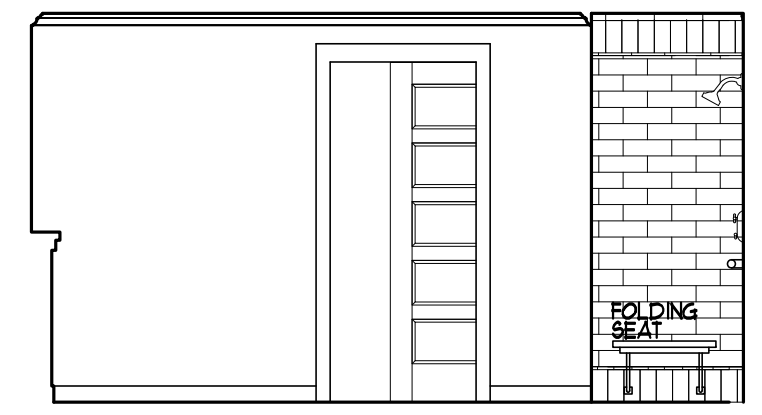
3 | INTERIOR ELEVATION UNIT 105B
1/4"=1'-0"



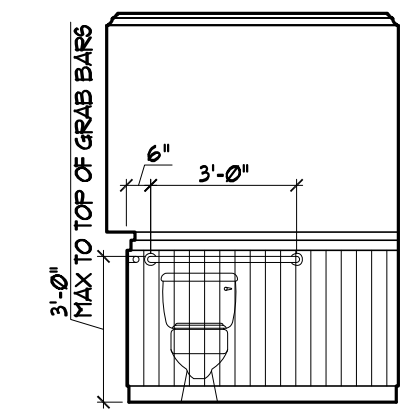
4 | INTERIOR ELEVATION UNIT 105B
1/4"=1'-0"



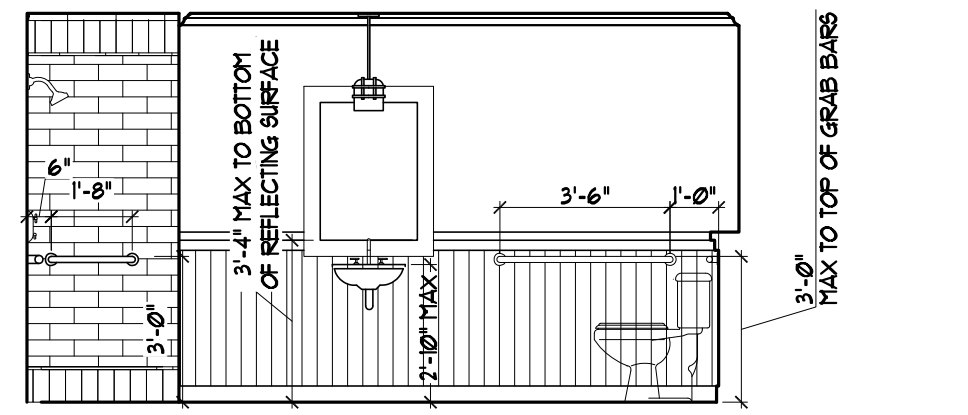
5 | INTERIOR ELEVATION UNIT 105B
1/4"=1'-0"



6 | INTERIOR ELEVATION UNIT 105B
1/4"=1'-0"



7 | INTERIOR ELEVATION UNIT 105B
1/4"=1'-0"



8 | INTERIOR ELEVATION UNIT 105B
1/4"=1'-0"

Prepared For:
The Inn at Diamond Cove, LLC.
PO BOX 3572
PORTLAND, ME 04101

Interior Designer:
truexcollins
INTERIORS
208 BATTERY STREET BURLINGTON, VERMONT 05401 USA
Phone 802.688.2775 Fax 802.227.1076
ARCHITECTURE | INTERIOR DESIGN | TRUEXCOLLINS.COM

Architect:
ARCHETYPE
architects
48 Union Wharf Portland, Maine 04101
(207) 772-6022 Fax (207) 772-4056

Project:
**THE INN AT
DIAMOND COVE,
LLC**
McKINLEY COURT
GREAT DIAMOND ISLAND, MAINE

Revisions:

Date: 04 March 2013
Scale: As Noted
**INTERIOR
ELEVATIONS
UNIT 105B**

A9.10