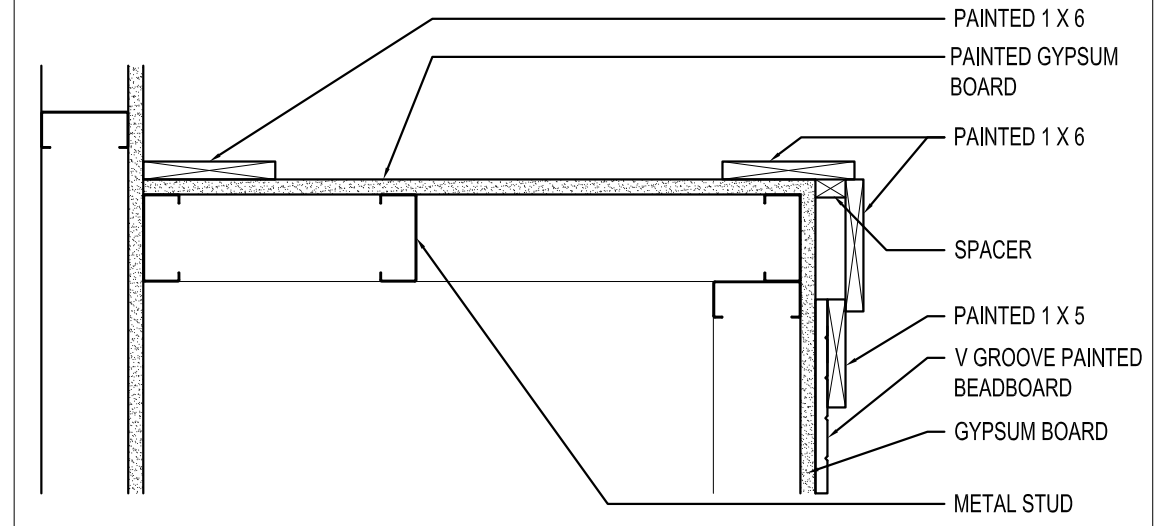
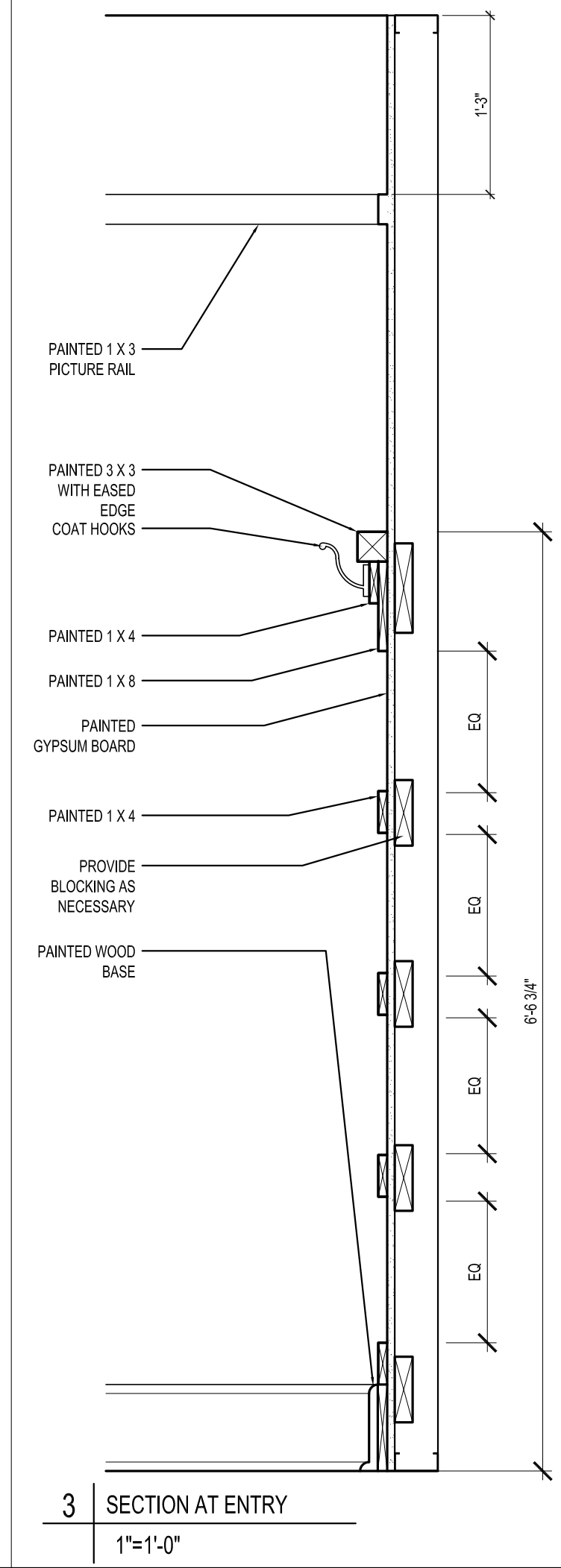


1 DETAIL SECTION AT FIREPLACE
1-1/2"=1'-0"



2 DETAIL PLAN AT FIREPLACE
1-1/2"=1'-0"



3 SECTION AT ENTRY
1"=1'-0"

SEE M1.00 FOR MILLWORK DETAILS		MILLWORK																									TOTAL																						
		101A	112A	101B	112B	102A	111A	102B	111B	103A	110A	103B	110B	104A	109A	104B	109B	105A	108A	105B	108B	106A	107A	106B	107B	201B	210B	201A	210A	202A	209A	202B	209B	203B	208B	203A	208A	204A	206A	204B	206B	205A	207A	205B	207B				
mantle	M1													1	1																																2		
	M2																																																6
	M3	1	1																	1	1																											4	
	M4																																															10	
	M5																																															2	
armoire	AR1									1	1																																					10	
	AR2	1	1	1	1			1	1				1	1	1	1	1	1	1				2	2	1	1																					34		
table	T7	1	1								1	1																																				16	
	V1	1	1	1	1	1	1	1	1	1	1	1	1	1	1	1	1	1	1	1	1	2	2	1	1																							40	
storage	S1			1	1			1	1	1	1	1	1	1	1	1	1																															26	
	S1A	1	1																																													2	
	S2					1	1																																								6		
	S2A																																															2	
	S3																																																2
bar	B1	1	1			1	1				1	1			1	1																																	20
	B3																																																2
	B4			1	1																																												22
	kitchen	A1																																															2
A3	1	1			1	1								1	1																																20		
closet	C1	1	1			1	1							1	1																																	22	

Prepared For:
The Inn at Diamond Cove, LLC.
PO BOX 3572
PORTLAND, ME 04101

Interior Designer:
truexculins
INTERIORS
289 BATTERY STREET BURLINGTON, VERMONT 05401 USA
Phone 802.656.2775 800.227.1076
ARCHITECTURE | INTERIOR DESIGN | truexculins.com

Architect:
ARCHETYPE
architects
48 Union Wharf Portland, Maine 04101
(207) 772-6022 Fax (207) 772-4056

Project:
THE INN AT DIAMOND COVE, LLC
McKINLEY COURT
GREAT DIAMOND ISLAND, MAINE

Date: 04 March 2013
Scale: As Noted

Revisions:

MILLWORK DETAILS

A9.00A