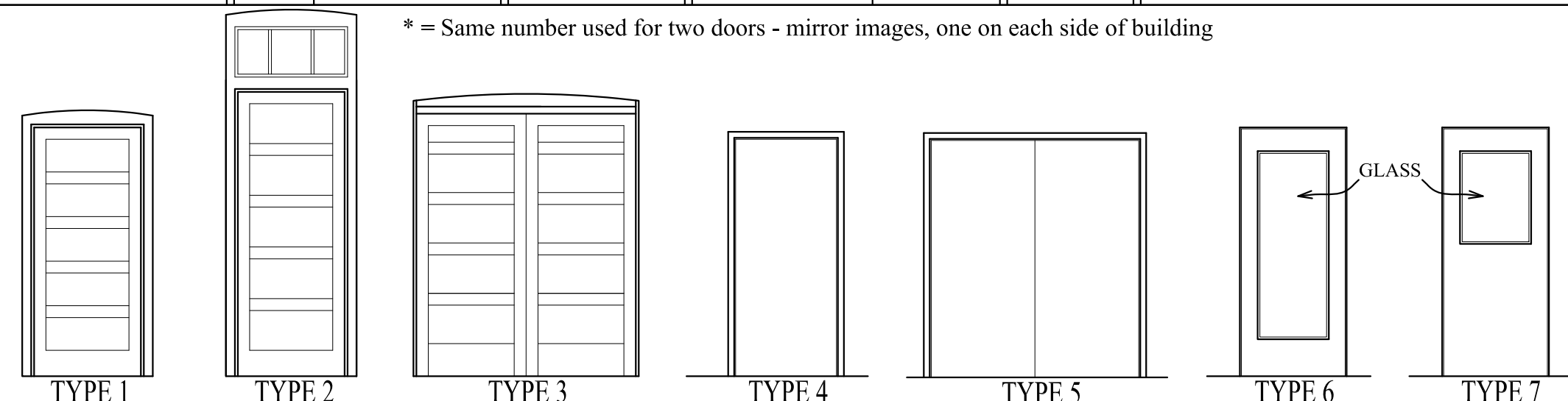


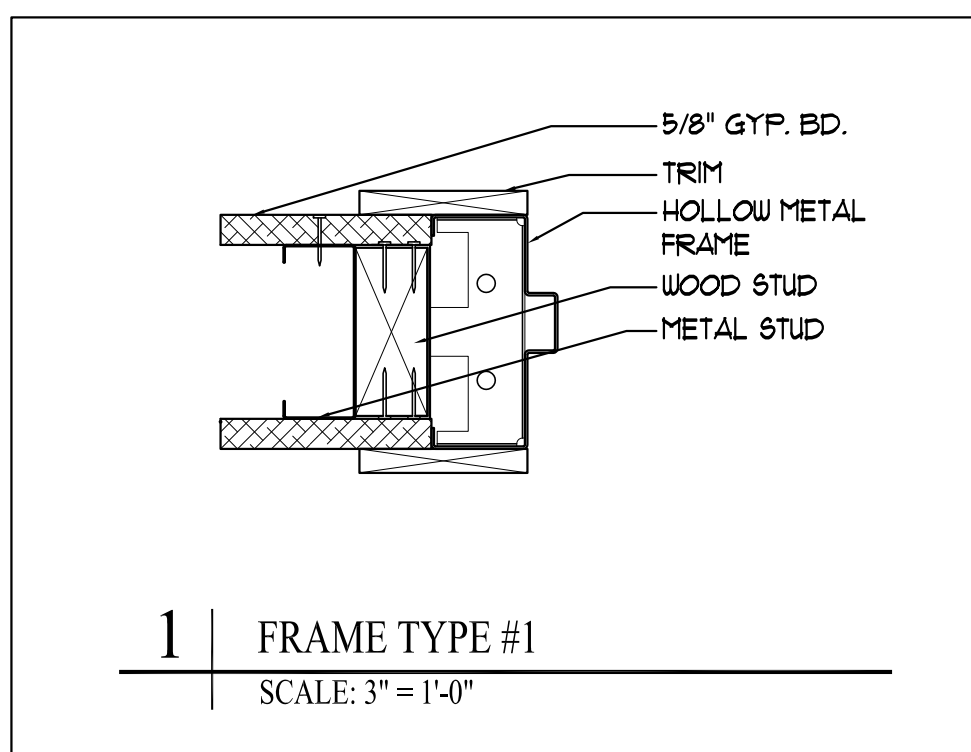
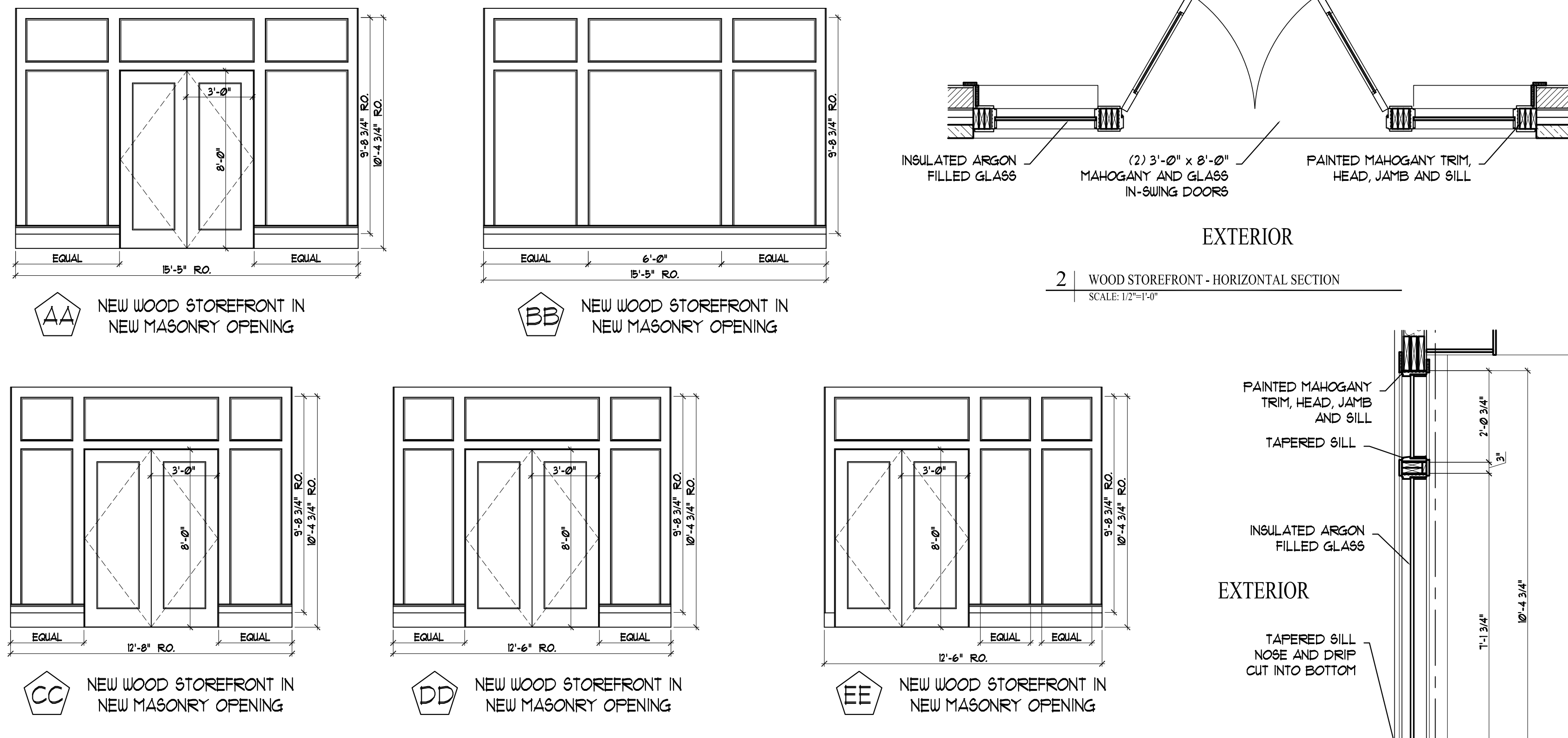
*** PUBLIC AREA DOOR SCHEDULE ***

DOOR No.	SIZE W x H x T	DOOR		THRESH	FRAME		LABEL	REMARKS
		Type	Material		Material	Type		
049	3'-0" x 7'-0" x 1 3/4"	4	Wood	Aluminum	Metal	1	20 min.	One-Way Egress Door To Corridor, Smoke/Sound Control
050*	(2)3'-0" x 7'-6" x 1 3/4"	3	Wood	Aluminum	rebuilt hist.			Rebuilt Historic Double Door, weatherstrip
051*	3'-4" x 7'-6" x 1 3/4"	1	Wood	Aluminum	rebuilt hist.			Rebuilt Historic Door, weatherstrip
052	2'-8" x 7'-0" x 1 3/4"	1	Wood	Aluminum	Wood			Rebuilt Historic Door
053*	(2)3'-0" x 7'-0" x 1 3/4"	5	Metal		Metal		45 min.	Smoke control, self closing, weatherstripping for odor control
054*	(2)2'-4" x 7'-0" x 1 3/4"	5	Metal		Metal		45 min.	Smoke control, self closing
055	3'-0" x 6'-8" x 1 3/4"	1	Wood		Wood			
056	3'-0" x 6'-8" x 1 3/4"	1	Wood		Wood			
057	3'-0" x 6'-8" x 1 3/4"	#	Wood		Wood			
058	2'-8" x 6'-8" x 1 3/4"	#	Wood		Wood			
059	3'-0" x 6'-8" x 1 3/4"	#	Wood		Wood			
060	2'-8" x 6'-8" x 1 3/4"	#	Wood		Wood			
061	2'-8" x 6'-8" x 1 3/4"	#	Wood		Wood			
062	3'-4" x 7'-0" x 1 3/4"	1	Wood		Wood			
063	3'-0" x 7'-0" x 1 3/4"	4	Metal		Metal		1 Hour	Smoke control, self closing, positive latching
064	3'-0" x 7'-0" x 1 3/4"	4	Wood		Metal		1 Hour	Smoke control, self closing, positive latching
065	3'-0" x 7'-0" x 1 3/4"	7	White Oak/Glass		Wood			Double swing door
066	3'-0" x 7'-0" x 1 3/4"	7	Metal/Glass		Metal			Double swing door
067	3'-0" x 7'-0" x 1 3/4"	4	Metal		Metal			
068	2'-8" x 7'-0" x 1 3/4"	4	Metal		Metal			
069	3'-0" x 7'-0" x 1 3/4"	4	Metal		Metal		45 min.	Smoke control
070	3'-0" x 7'-0" x 1 3/4"	4	Metal		Metal		45 min.	Smoke control
071	3'-0" x 7'-0" x 1 3/4"	4	Metal		Metal			
072	3'-0" x 7'-0" x 1 3/4"	4	Metal		Metal			
073	3'-0" x 7'-0" x 1 3/4"	4	Metal		Metal			
074	2'-6" x 7'-0" x 1 3/4"	4	Metal		Metal			
100*	3'-6" x 7'-6" x 1 3/4"	2	Wood	Aluminum	Wood			Rebuilt Historic Door - With transom above- Weatherseal
101*	3'-0" x 7'-0" x 1 3/4"	1	Wood		Metal	1	1 Hour	Smoke control, self closing, positive latching
102*	3'-6" x 7'-6" x 1 3/4"	1&6	Wood	Aluminum	Wood			Historic 5 Panel Door With Interior Glass Door In Same Frame
103*	3'-6" x 7'-6" x 1 3/4"	1&6	Wood	Aluminum	Wood			Historic 5 Panel Door With Interior Glass Door In Same Frame
104*	3'-6" x 7'-6" x 1 3/4"	1&6	Wood	Aluminum	Wood			Historic 5 Panel Door With Interior Glass Door In Same Frame
105*	3'-6" x 7'-6" x 1 3/4"	1&6	Wood	Aluminum	Wood			Historic 5 Panel Door With Interior Glass Door In Same Frame
106*	3'-6" x 7'-6" x 1 3/4"	1&6	Wood	Aluminum	Wood			Historic 5 Panel Door With Interior Glass Door In Same Frame
107*	3'-6" x 7'-6" x 1 3/4"	1&6	Wood	Aluminum	Wood			Historic 5 Panel Door With Interior Glass Door In Same Frame
108*	3'-6" x 7'-6" x 1 3/4"	1	Wood	Aluminum	Wood			Rebuilt Historic Door - False door in exist opening, wall behind
109*	3'-0" x 6'-8" x 1 3/4"	6	White Oak/Glass	Aluminum	Wood			Glass door to porch
110*	3'-6" x 7'-6" x 1 3/4"	1&6	Wood	Aluminum	Wood			Historic 5 Panel Door With Interior Glass Door In Same Frame
111*	3'-6" x 7'-6" x 1 3/4"	3	Wood		Wood			Rebuilt Historic Door - False door in exist opening, wall behind
112*	3'-6" x 7'-6" x 1 3/4"	1&6	Wood	Aluminum	Wood			Historic 5 Panel Door With Interior Glass Door In Same Frame
113*	3'-6" x 7'-6" x 1 3/4"	1&6	Wood	Aluminum	Wood			Historic 5 Panel Door With Interior Glass Door In Same Frame
114	3'-0" x 7'-0" x 1 3/4"	4	Wood		Metal	1	20 min.	Smoke control
115	3'-0" x 7'-0" x 1 3/4"	4	Wood		Metal	1	20 min.	Smoke control
116	(2)2'-0" x 7'-0" x 1 3/4"	5	Wood		Metal	1	20 min.	Smoke control
117	(2)2'-0" x 7'-0" x 1 3/4"	5	Wood		Metal	1	20 min.	Smoke control
118								
119	3'-0" x 7'-0" x 1 3/4"	4	Wood		Metal	1	1 Hour	Smoke control, self closing, positive latching
120	(2)3'-0" x 7'-0" x 1 3/4"		White Oak/Glass	Aluminum	Wood			Inswing door in custom wood and glass storefront - See (EE)
121	(2)3'-0" x 7'-0" x 1 3/4"		White Oak/Glass	Aluminum	Wood			Inswing door in custom wood and glass storefront - See (DD)
122*	(2)3'-0" x 7'-0" x 1 3/4"		White Oak/Glass	Aluminum	Wood			Inswing door in custom wood and glass storefront - See (CC)
123	(2)3'-0" x 7'-0" x 1 3/4"		White Oak/Glass	Aluminum	Wood			Inswing door in custom wood and glass storefront - See (AA)
200*	3'-0" x 7'-0" x 1 3/4"	1	Wood		Metal	1	1 Hour	Smoke control, self closing, positive latching
201*	3'-6" x 8'-0" x 1 3/4"	2&6	Wood	Aluminum	Wood			Historic 5 Panel Door with Transom and Interior Glass Door In Same Frame
202*	3'-6" x 8'-0" x 1 3/4"	2&6	Wood	Aluminum	Wood			Historic 5 Panel Door with Transom and Interior Glass Door In Same Frame
203*	3'-6" x 8'-0" x 1 3/4"	2&6	Wood	Aluminum	Wood			Historic 5 Panel Door with Transom and Interior Glass Door In Same Frame
204*	3'-6" x 8'-0" x 1 3/4"	2&6	Wood	Aluminum	Wood			Historic 5 Panel Door with Transom and Interior Glass Door In Same Frame
205*	3'-6" x 8'-0" x 1 3/4"	1	Wood		Wood			Rebuilt Historic Door - False door in exist opening, wall behind
206*	3'-0" x 6'-0" x 1 3/4"	6	White Oak/Glass	Aluminum	Wood			Glass door to porch
207*	3'-6" x 8'-0" x 1 3/4"	2&6	Wood	Aluminum	Wood			Historic 5 Panel Door with Transom and Interior Glass Door In Same Frame
208*	3'-6" x 8'-0" x 1 3/4"	2&6	Wood	Aluminum	Wood			Historic 5 Panel Door with Transom and Interior Glass Door In Same Frame
209*	3'-6" x 8'-0" x 1 3/4"	2&6	Wood	Aluminum	Wood			Historic 5 Panel Door with Transom and Interior Glass Door In Same Frame
210*	(2)2'-0" x 7'-0" x 1 3/4"	5	Wood		Metal	1	20 min.	Smoke control
211*	(2)2'-0" x 7'-0" x 1 3/4"	5	Wood		Metal	1	20 min.	Smoke control
300*	3'-0" x 7'-0" x 1 3/4"	4	Wood		Metal	1		Weatherseal

* = Same number used for two doors - mirror images, one on each side of building

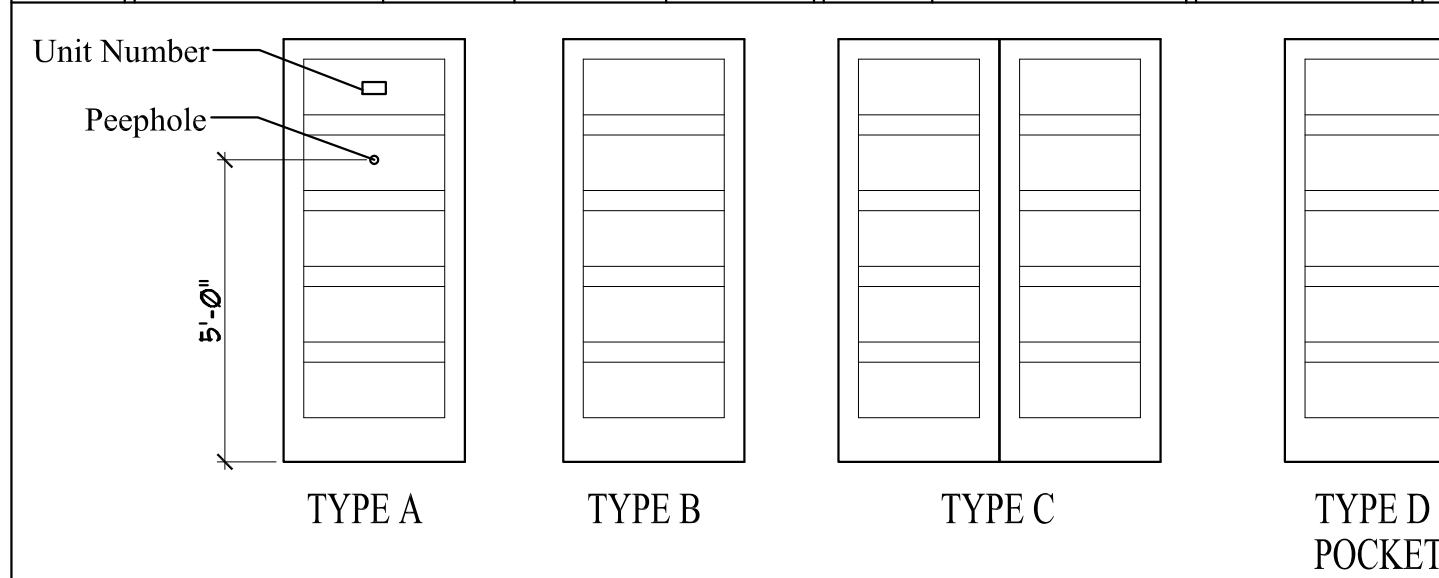


*** WOOD STOREFRONTS ***



*** UNIT DOOR SCHEDULE ***

DOOR	LOCATION	SIZE			DOOR		THRESH	FRAME Material	LABEL	REMARKS
		Width	Height	Thick	Type	Material				
U01	Unit Entry	3'-0"	7'-0"	1 3/4"	A	Wood	Aluminum	Metal	20 MIN	Frame Type #1
U02	Bedroom/Bath/Closet	3'-0"	6'-8"	1 3/8"	B			Wood		
U03	Bedroom/Bath/Closet	2'-8"	6'-8"	1 3/8"	B			Wood		
U04	Bath/Closet	2'-6"	6'-8"	1 3/8"	B			Wood		
U05	Bedroom/Bath	3'-0"	6'-8"	1 3/8"	D			Wood		Pocket
U06	Bathroom	2'-8"	6'-8"	1 3/8"	D			Wood		Pocket
U07	Bathroom	2'-6"	6'-8"	1 3/8"	D			Wood		Pocket
U08	Bedroom	4'-0"	6'-8"	1 3/8"	C			Wood		Double Pocket Door
U09	Closet	2'-8"	6'-8"	1 3/8"	C			Wood		Double Swing Doors
U09.1	Closet	3'-0"	6'-8"	1 3/8"	C			Wood		Double Swing Doors
U10	Suite Entry	4'-0"	6'-8"	1 3/8"	C		Aluminum	Wood		Double Swing Doors
U11	Suite Lockout	2'-8"	6'-8"	1 3/8"	B		Aluminum	Wood		Double doors - Lock-out set up
U12	Unit Entry	2'-8"	7'-0"	1 3/4"	A	Wood	Aluminum	Metal	20 MIN	Frame Type #1



Prepared For:
The Inn at Diamond Cove, LLC.
PO BOX 3572
PORTLAND, ME 04101

Interior Designer:
truexcollins
INTERIORS
209 BATTERY STREET BURLINGTON, VERMONT 05401 USA
Phone 802.658.2775 800.227.1076
ARCHITECTURE | INTERIOR DESIGN | truexcollins.com

Architect:
ARCHETYPE
architects
48 Union Wharf Portland, Maine 04101
(207) 772-6022 Fax (207) 772-4056

Project:
THE INN AT DIAMOND COVE, LLC
MCKINLEY COURT
GREAT DIAMOND ISLAND, MAINE

Revisions:
Date: 04 March 2013
Scale: AS NOTED

DOOR SCHEDULE
A8.00