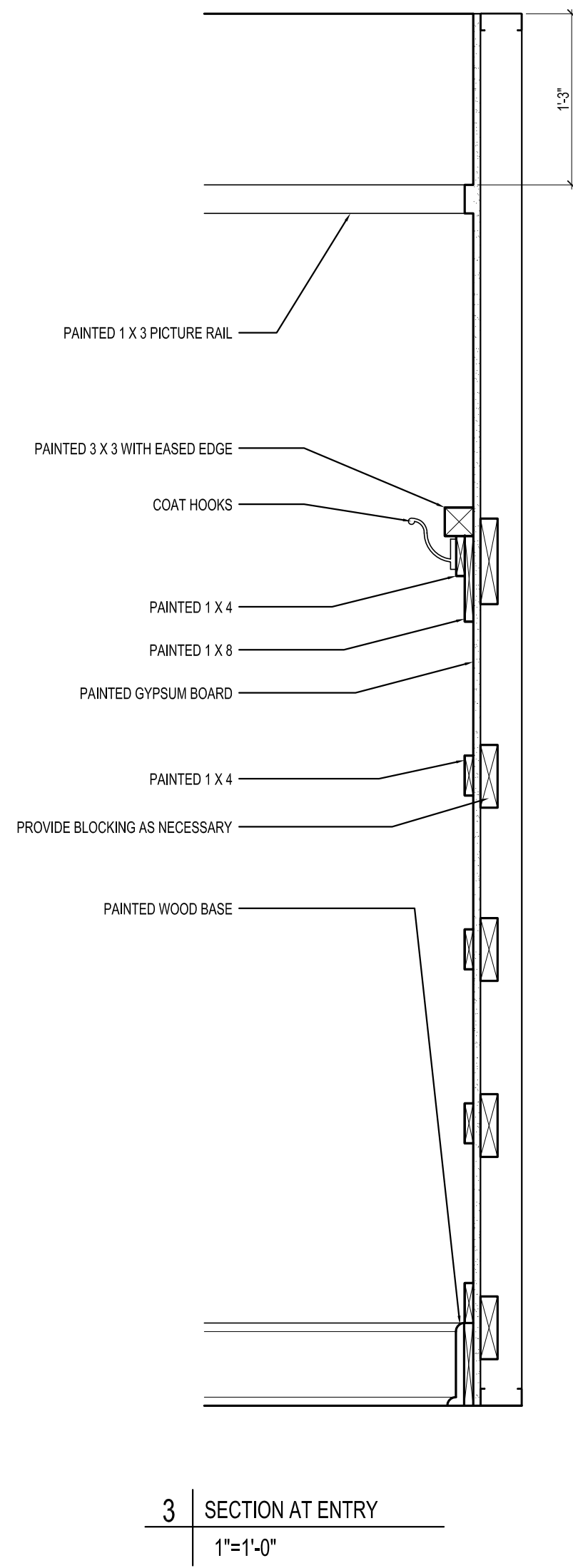
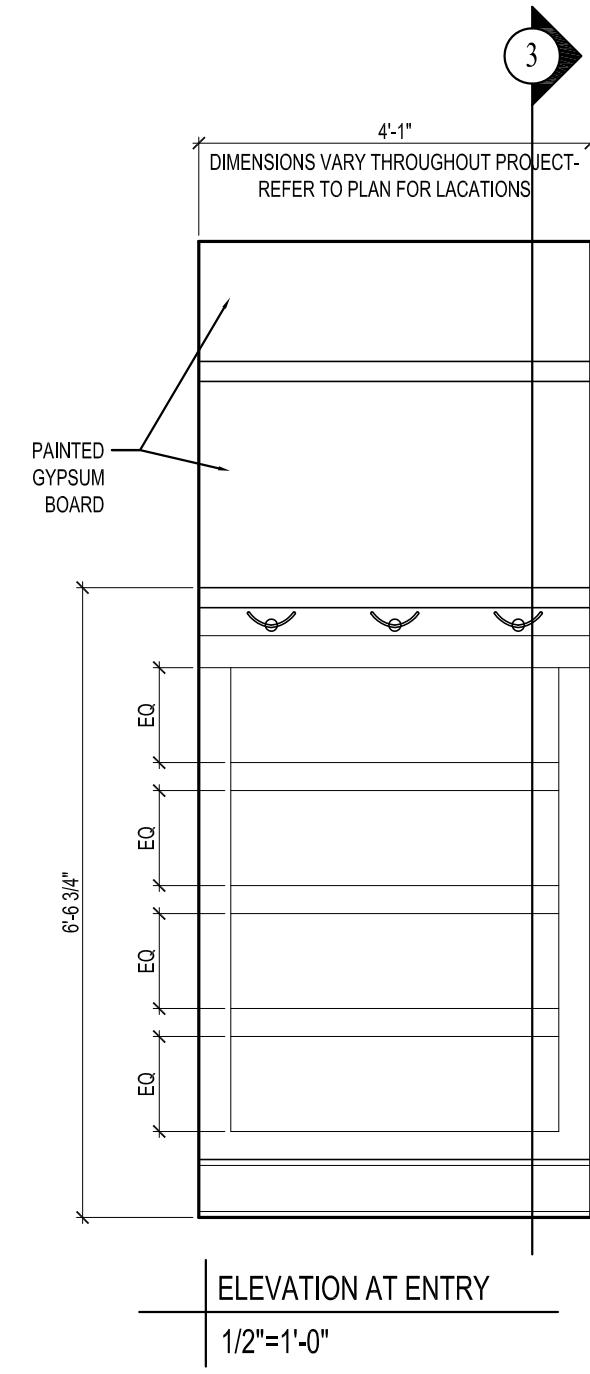
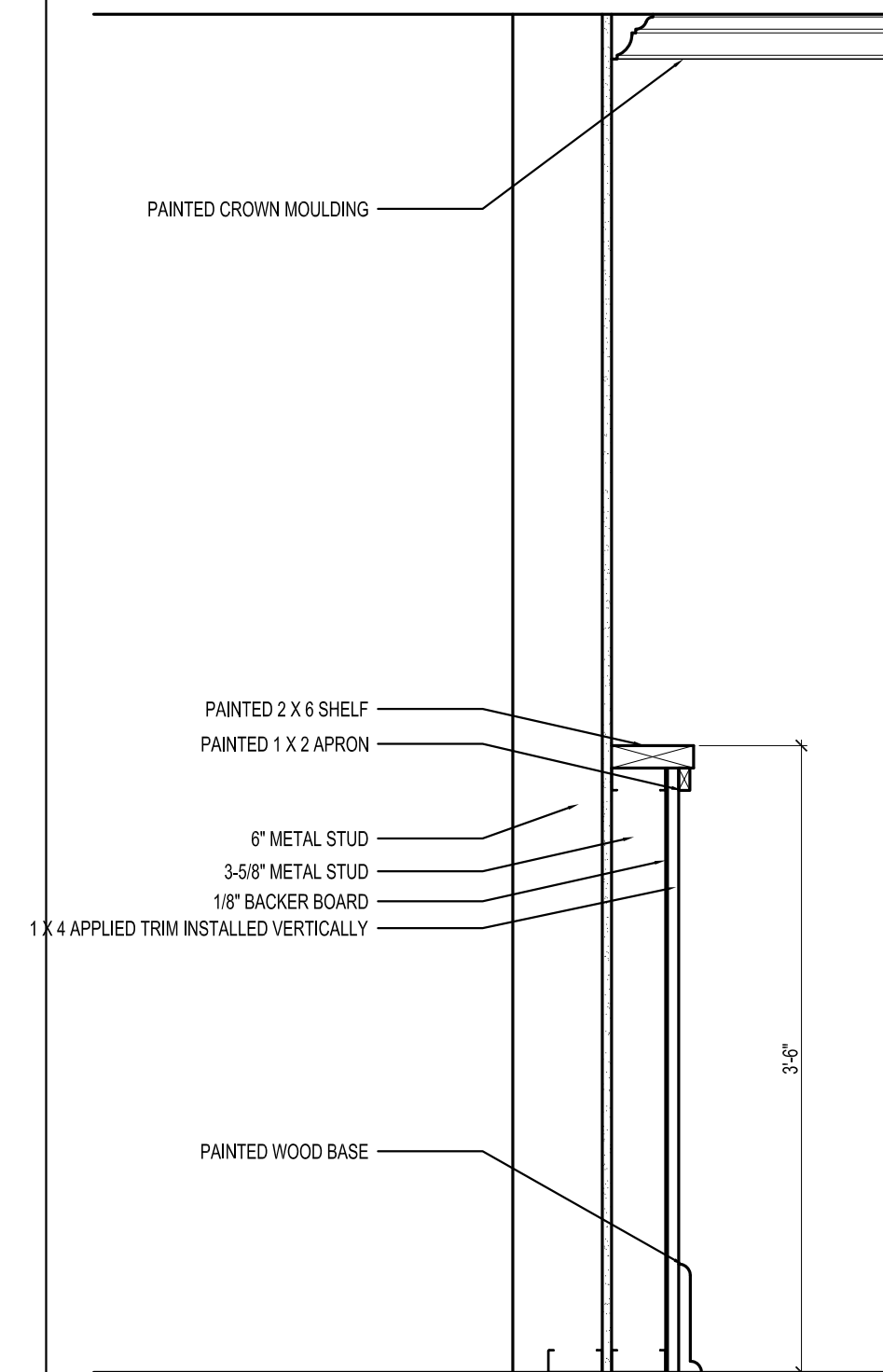


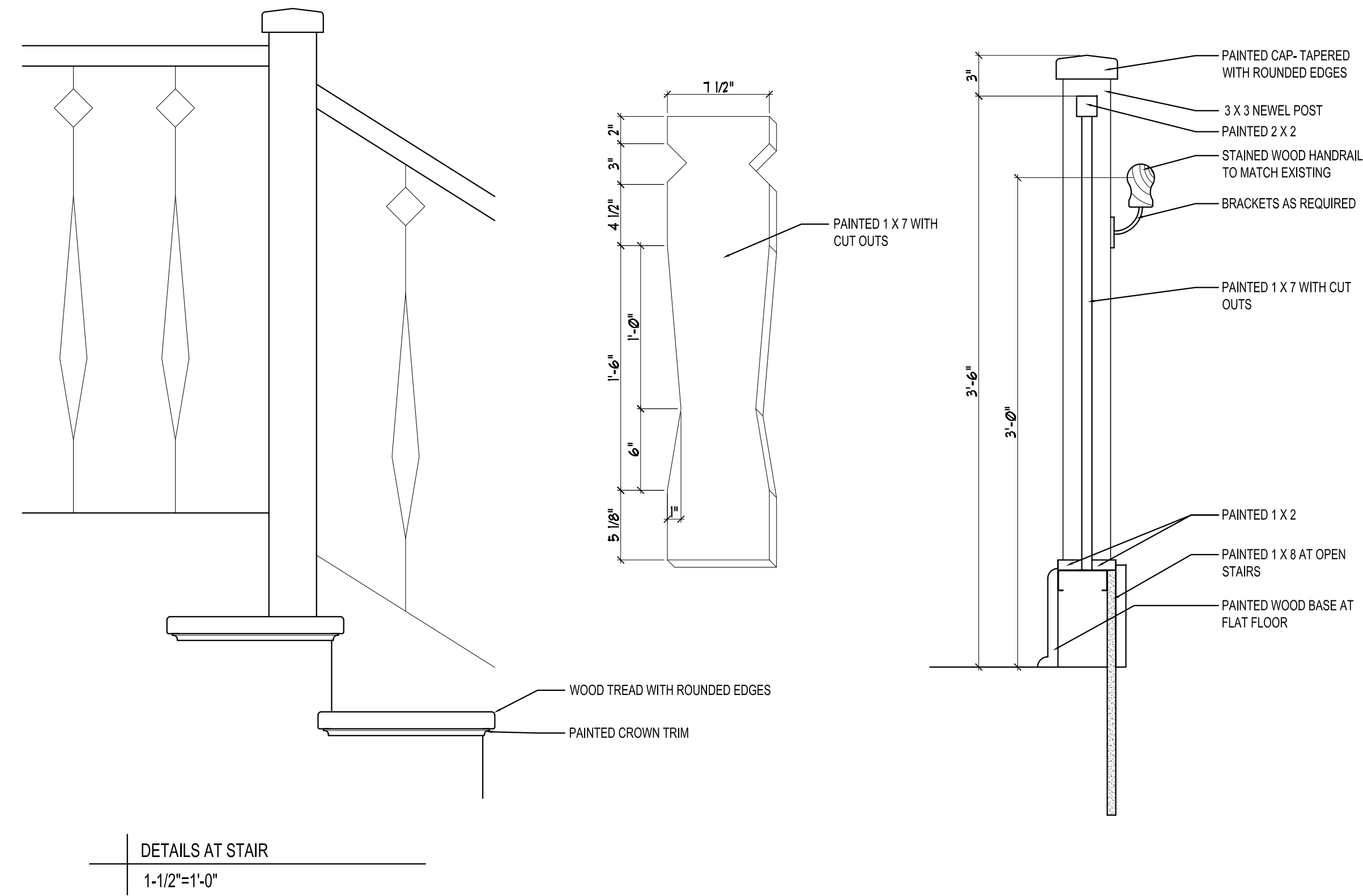
DETAIL "B"



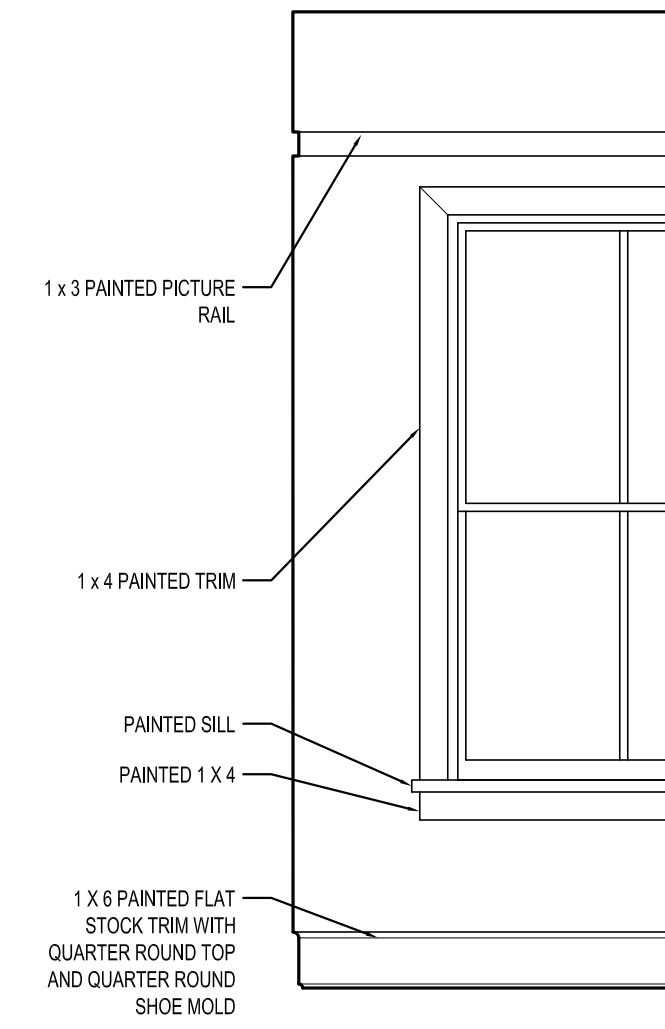
DETAIL "C"



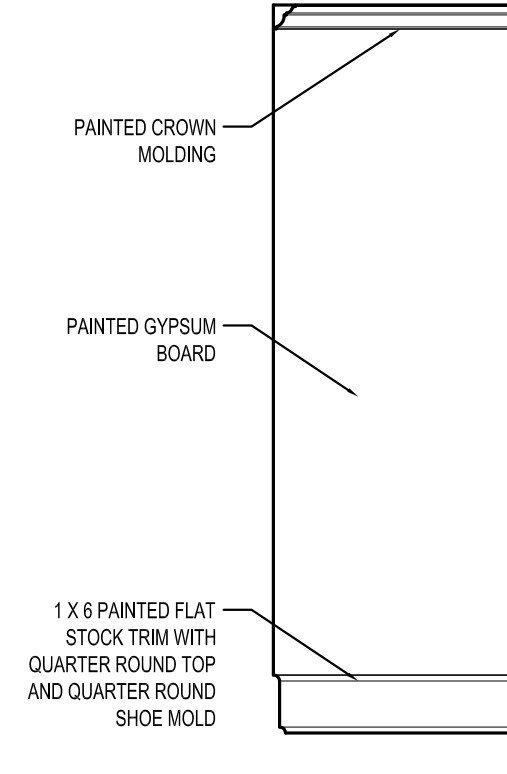
STAIR DETAILS



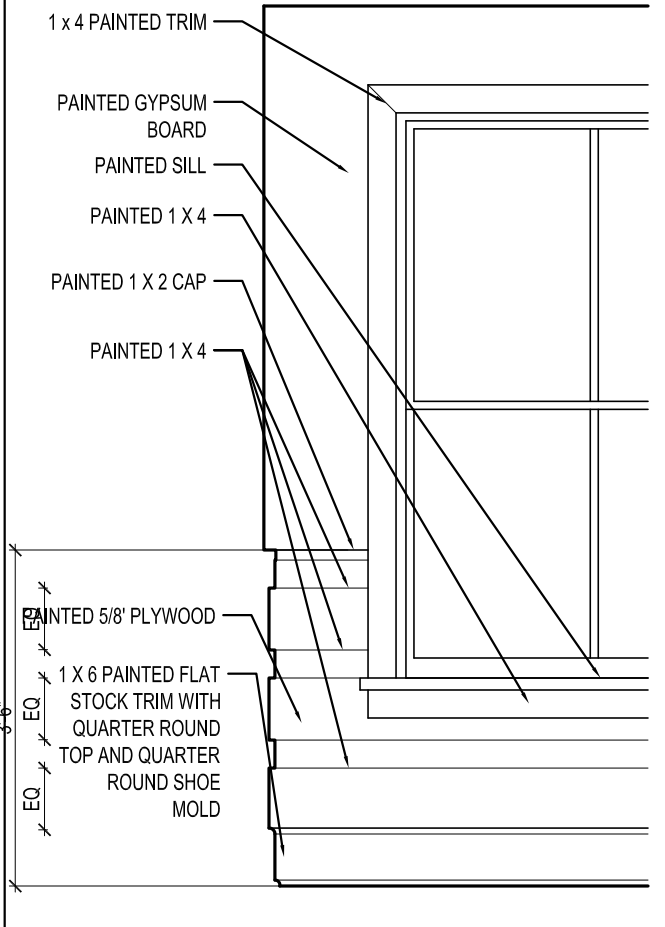
DETAIL "E"



DETAIL "F"



DETAIL "D"



PROVIDE BLOCKING FOR ALL MILLWORK AS NECESSARY

Date: 04 March 2013

Scale: 1/8" = 1'-0"

Revisions:

Project:

THE INN AT
DIAMOND COVE,
LLC

McKINLEY COURT
GREAT DIAMOND ISLAND, MAINE

Architect:

ARCHETYPE
architects

48 Union Wharf Portland, Maine 04101
(207) 772-6022 Fax (207) 772-4056

Interior Designer:

truexcollins
INTERIORS

288 BATTERY STREET BURLINGTON, VERMONT 05401 USA
Phone 802 658 2775 Fax 800 227 1076
ARCHITECTURE | INTERIOR DESIGN | truexcollins.com

Prepared For:

The Inn at Diamond
Cove, LLC.

PO BOX 3572
PORTLAND, ME 04101

A7.02