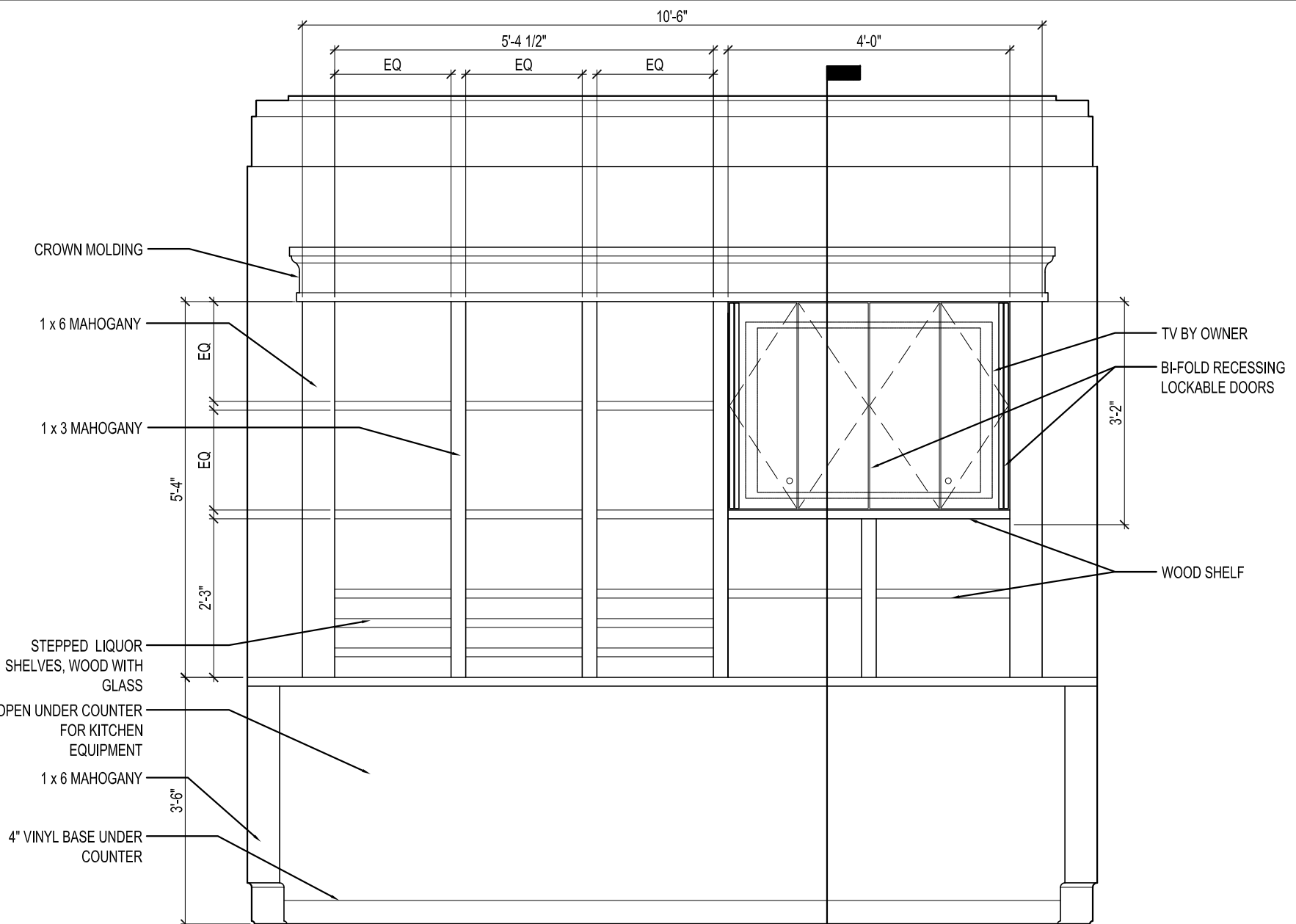
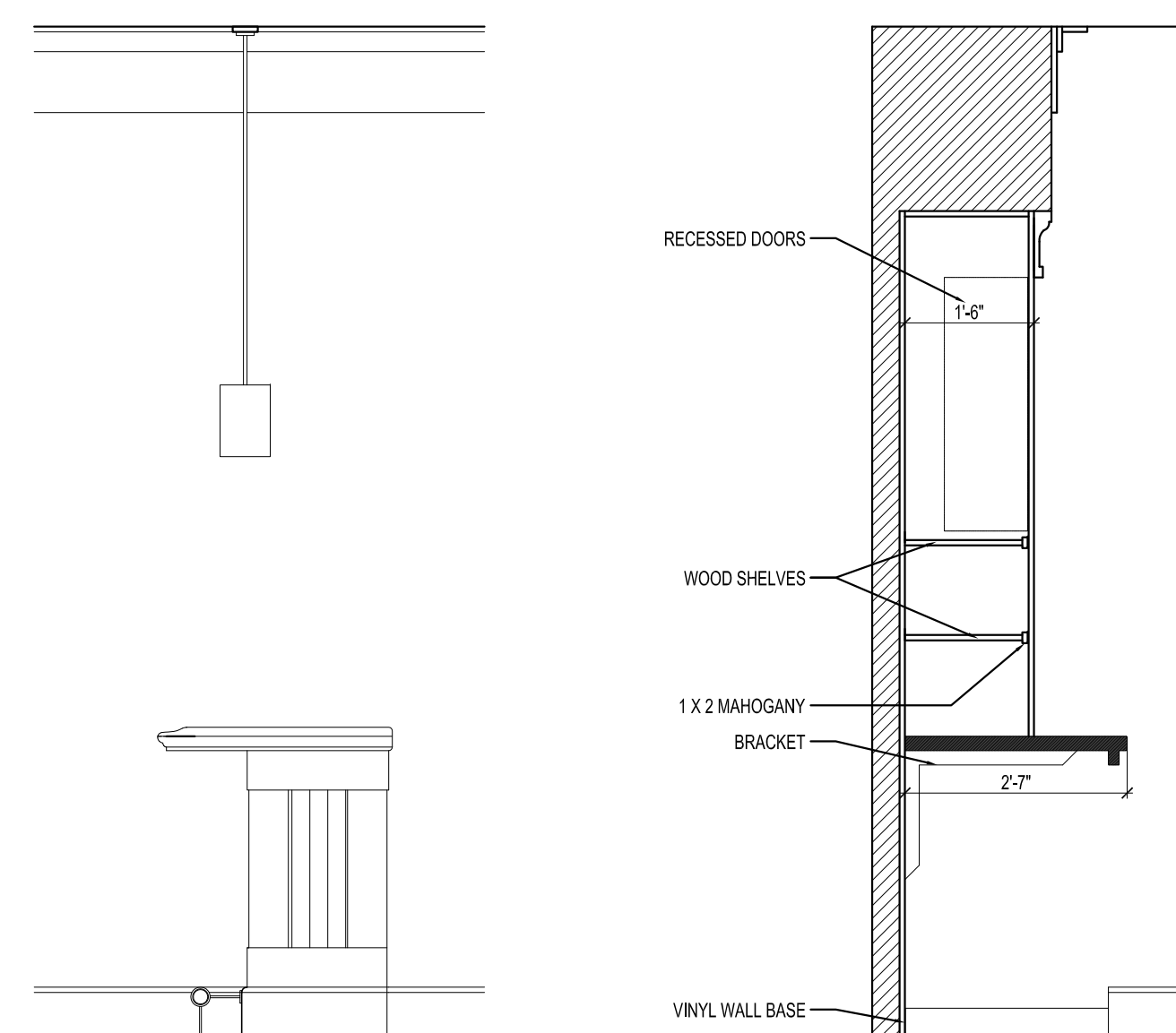


1 INTERIOR ELEVATION AT LOBBY
1/2"=1'-0"

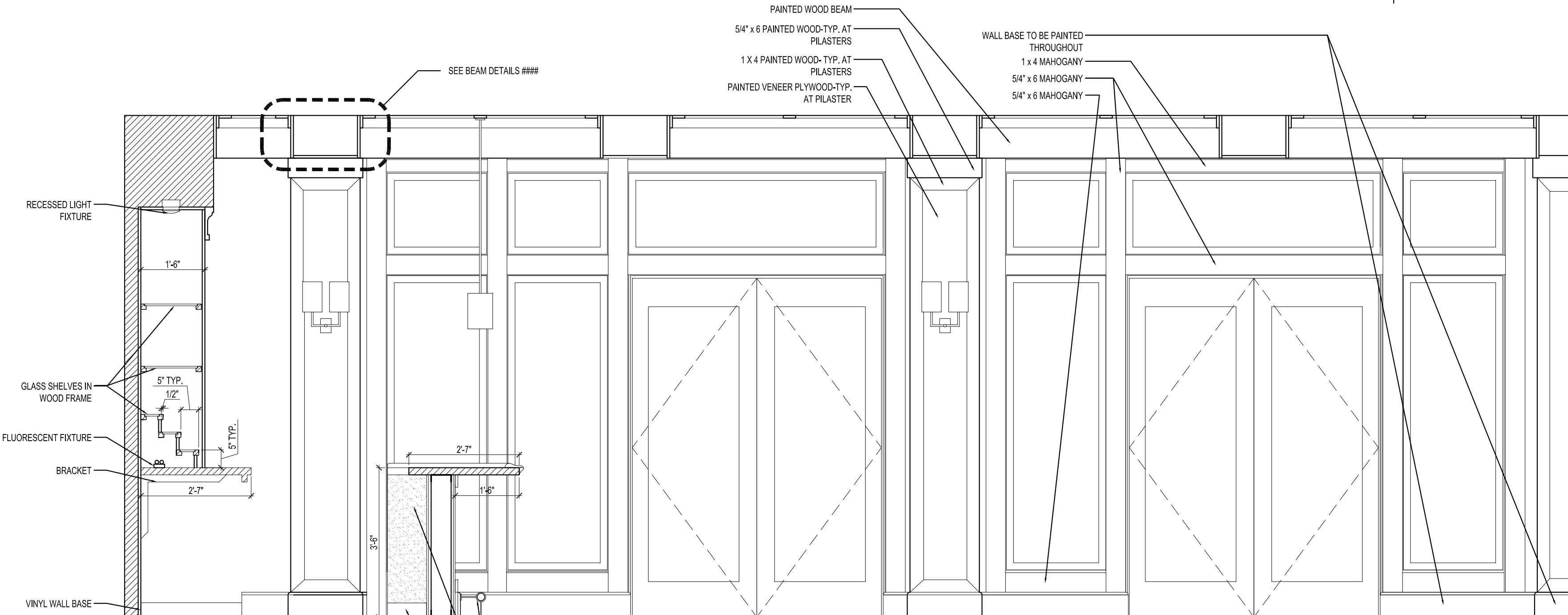


2 INTERIOR ELEVATION AT BACK BAR
1/2"=1'-0"



3 PARTIAL ELEVATION AT BAR
1/2"=1'-0"

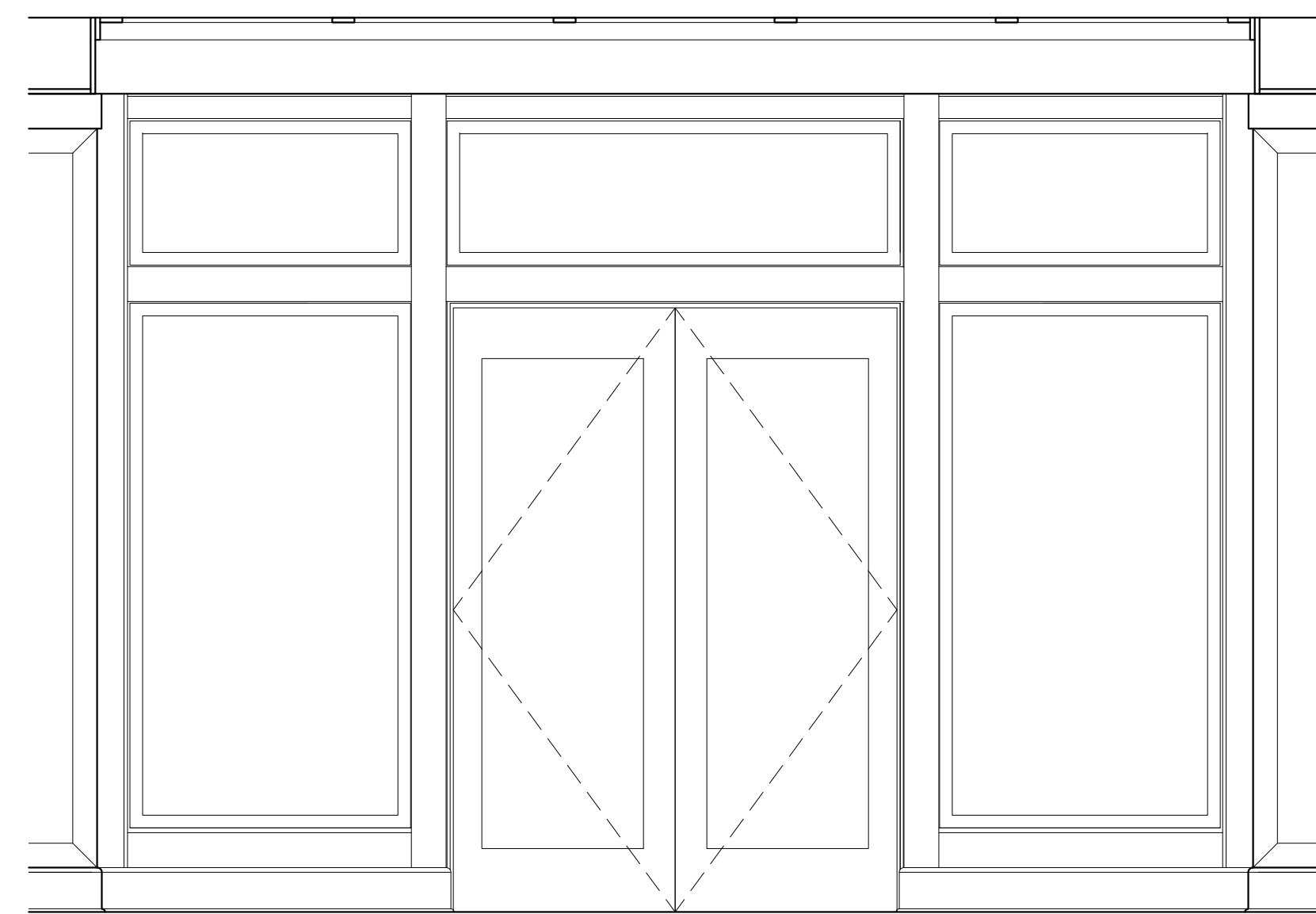
4 SECTION AT BACK BAR
1/2"=1'-0"



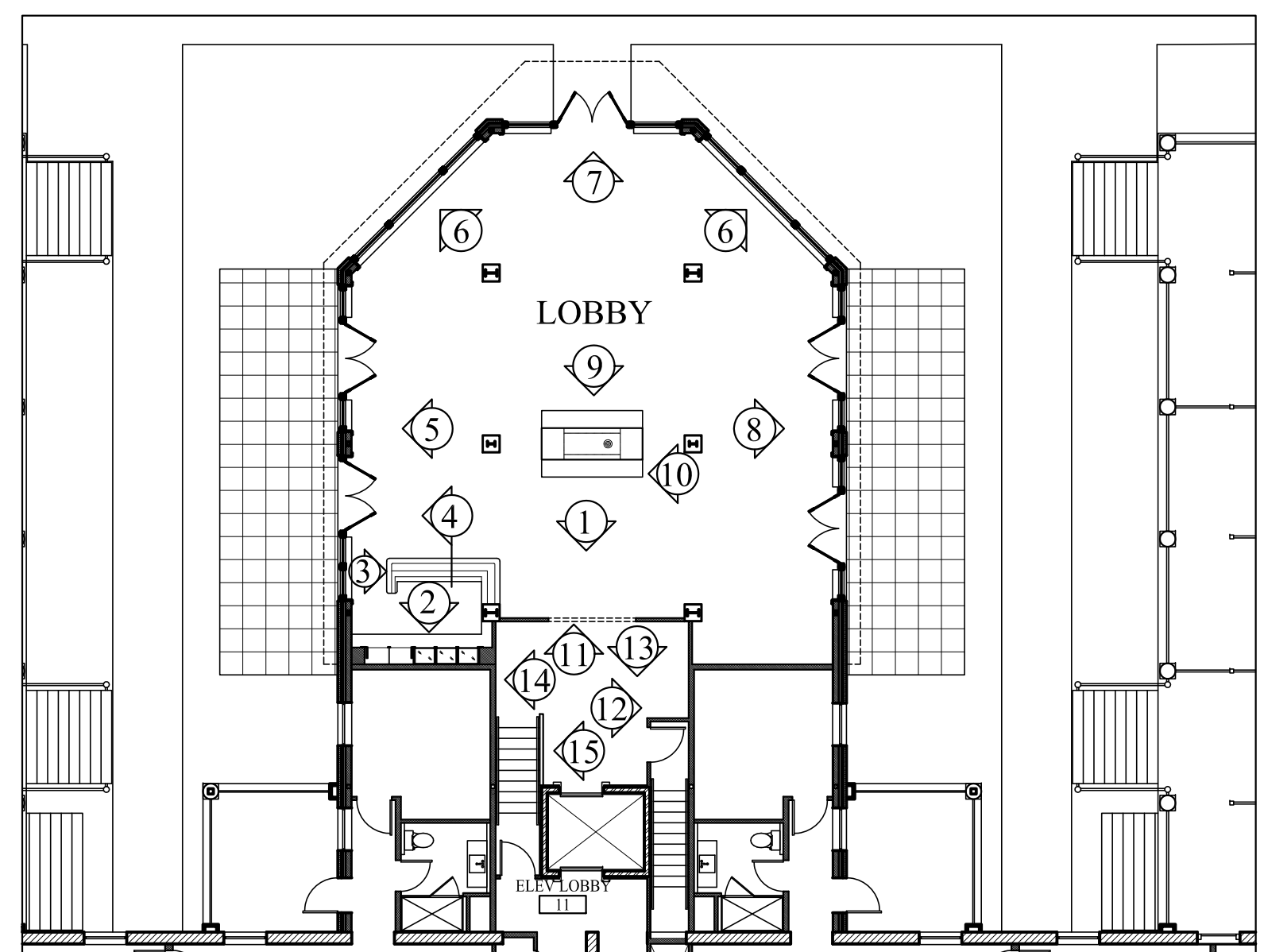
5 INTERIOR ELEVATION AT LOBBY
1/2"=1'-0"



6 INTERIOR ELEVATION AT LOBBY
1/2"=1'-0"



7 INTERIOR ELEVATION AT LOBBY
1/2"=1'-0"



KEY PLAN : NTS

Prepared For: **The Inn at Diamond Cove, LLC.**
 PO BOX 3572
 PORTLAND, ME 04101

Interior Designer: **truexcollins**
 INTERIORS
 288 BATTERY STREET BUBAUSTON, VERMONT 05401, USA
 Phone 802 658 2775 800 227 1076
 ARCHITECTURE | INTERIOR DESIGN | truexcollins.com

Architect: **ARCHETYPE architects**
 48 Union Wharf Portland, Maine 04101
 (207) 772-6022 Fax (207) 772-4056

Project: **THE INN AT DIAMOND COVE, LLC**
 McKINLEY COURT
 GREAT DIAMOND ISLAND, MAINE

Date: 04 March 2013
 Scale: 1/8" = 1'-0"
LOBBY INTERIOR ELEVATIONS

Revisions:

A7.00