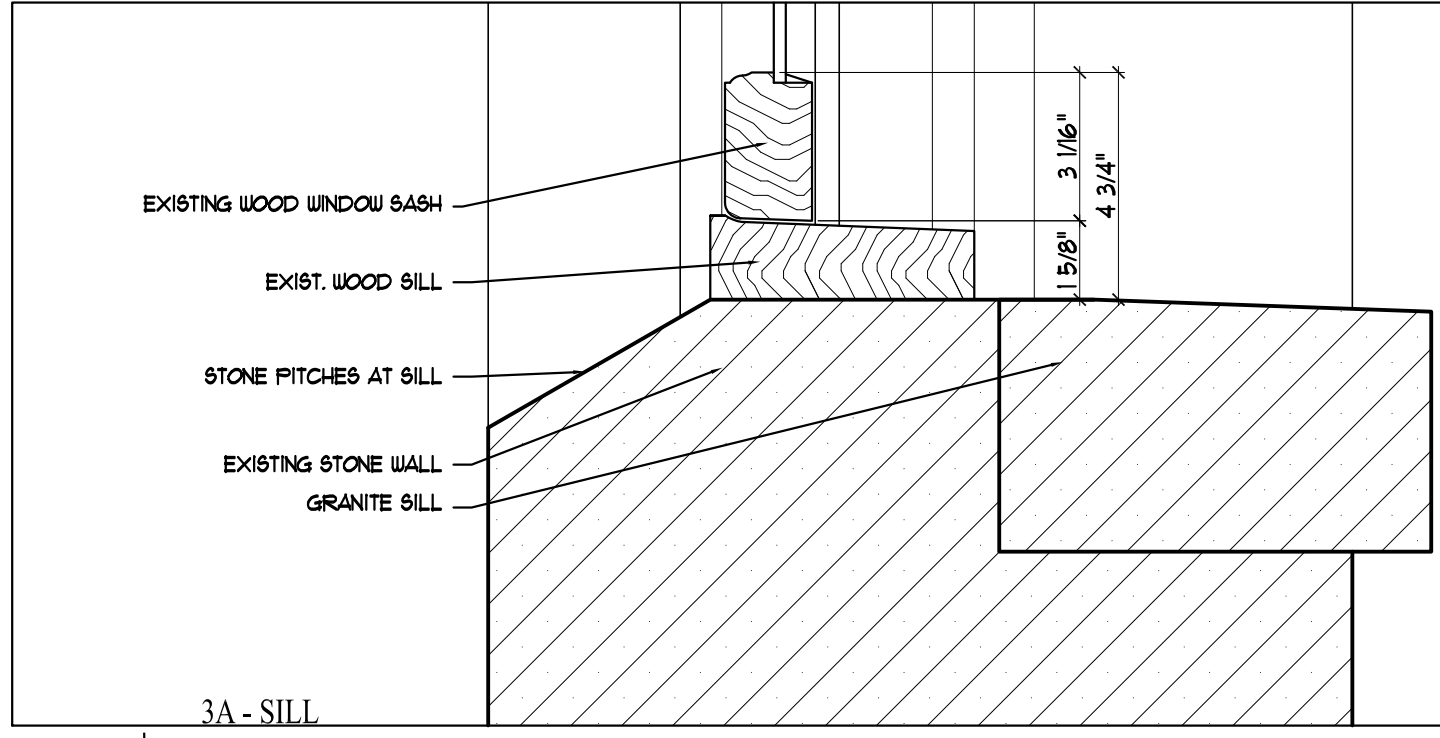
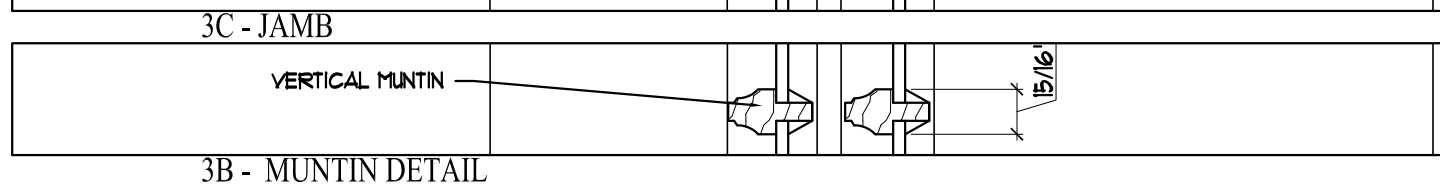
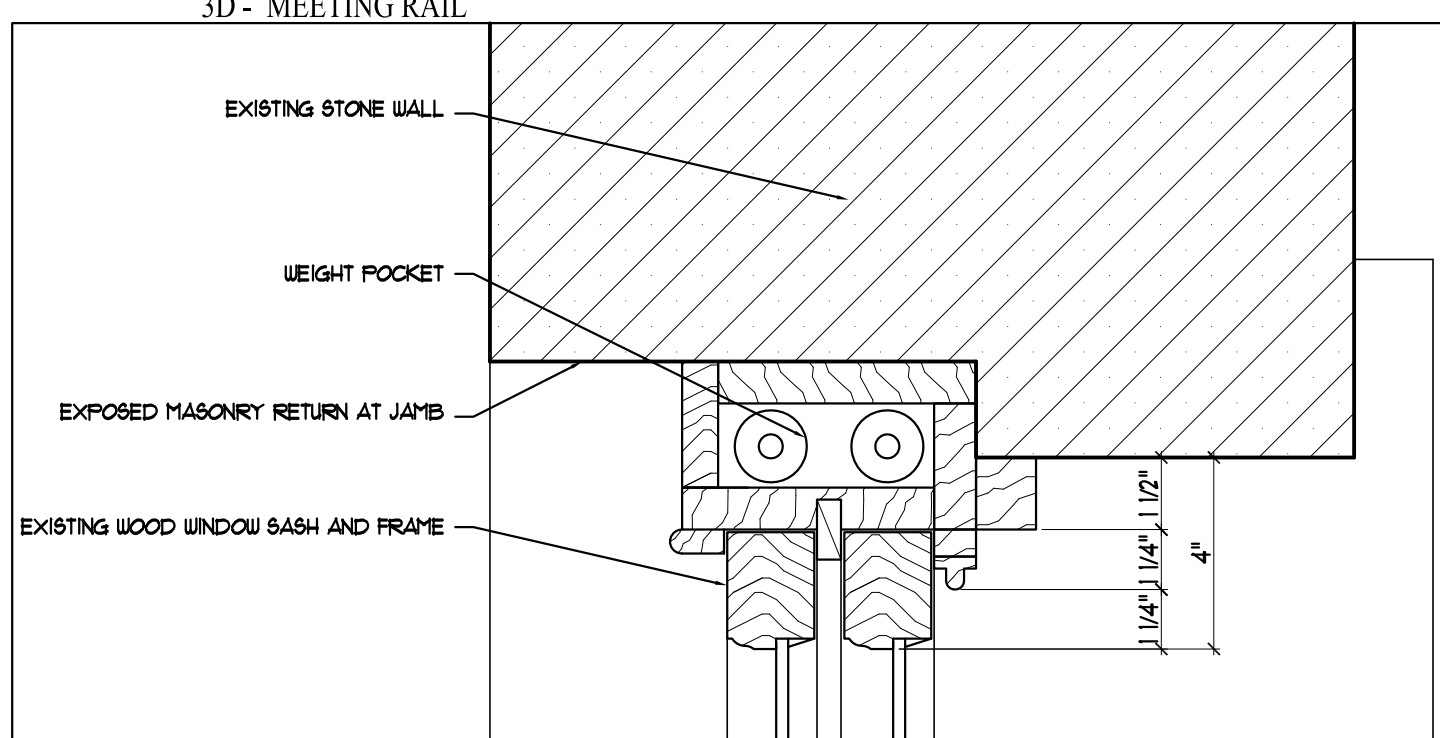
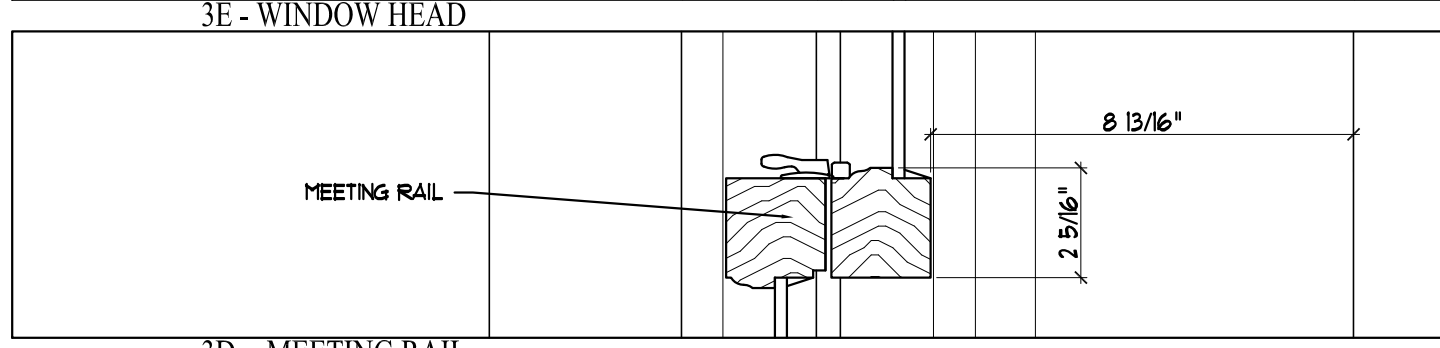
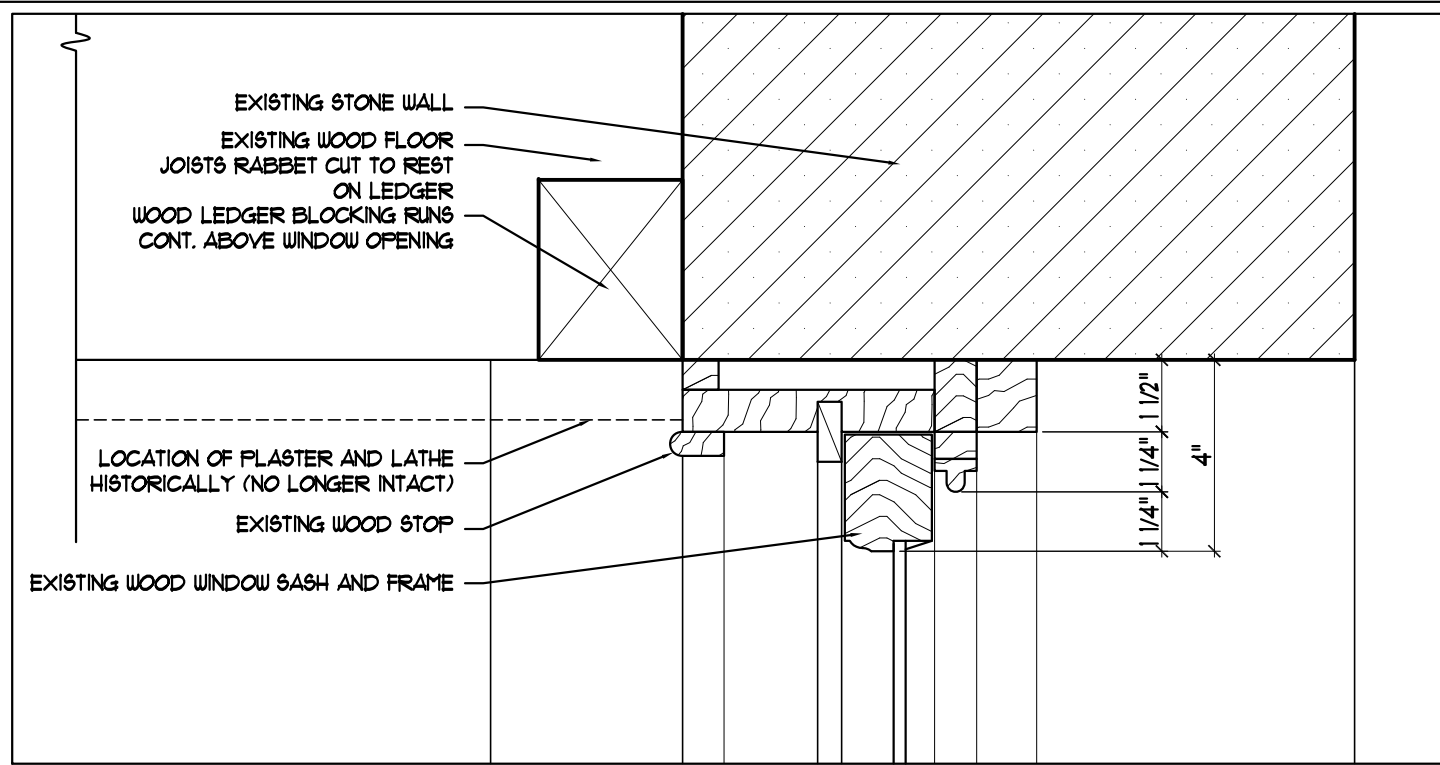
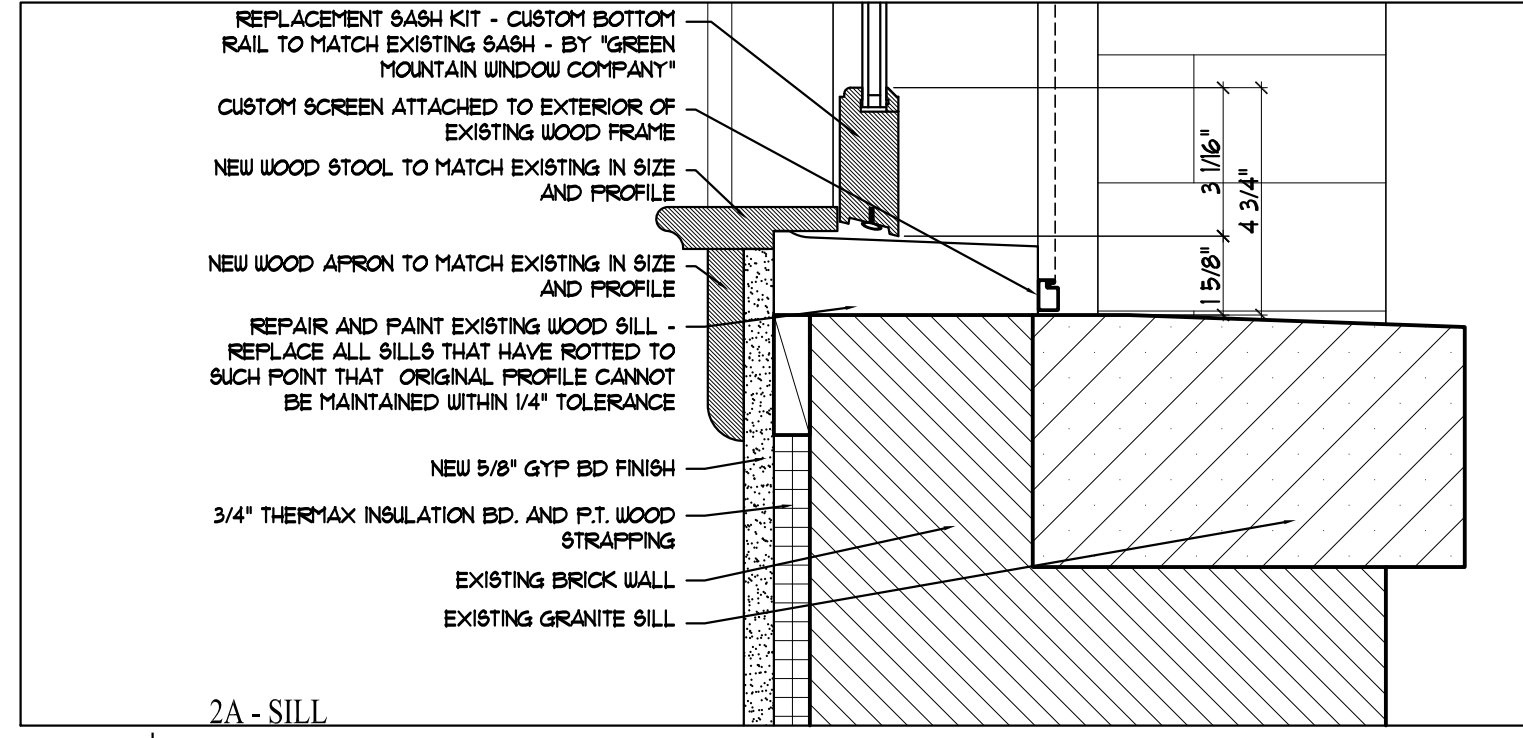
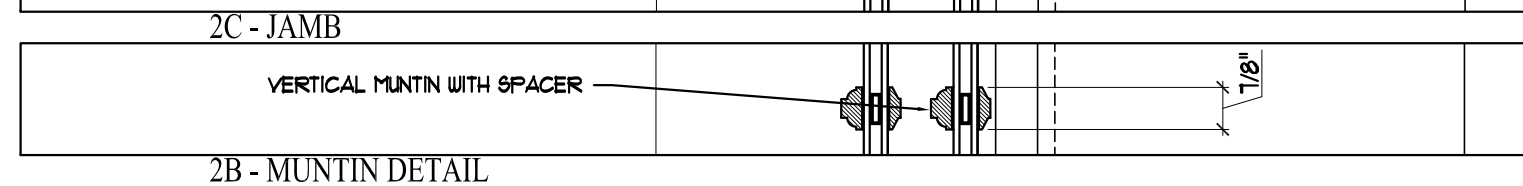
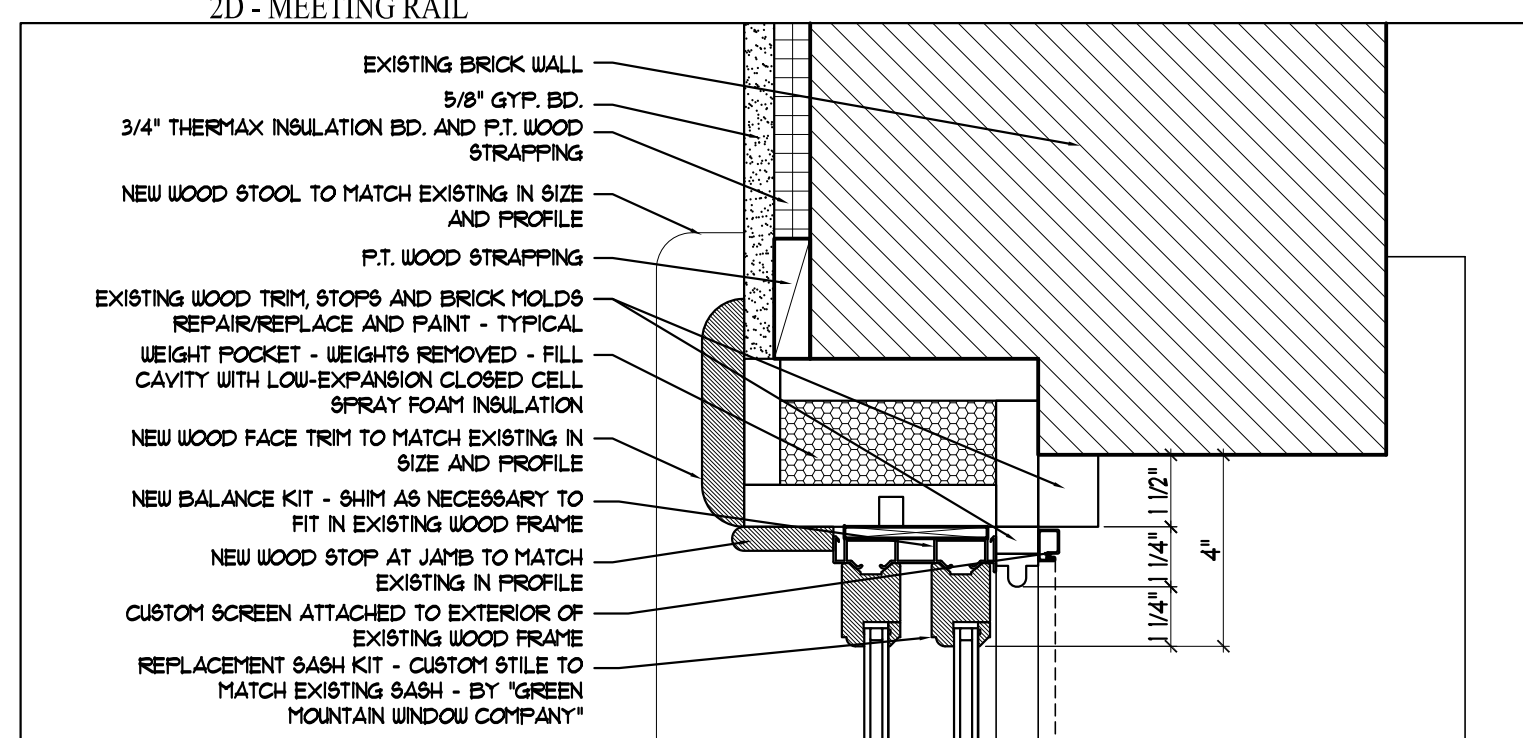
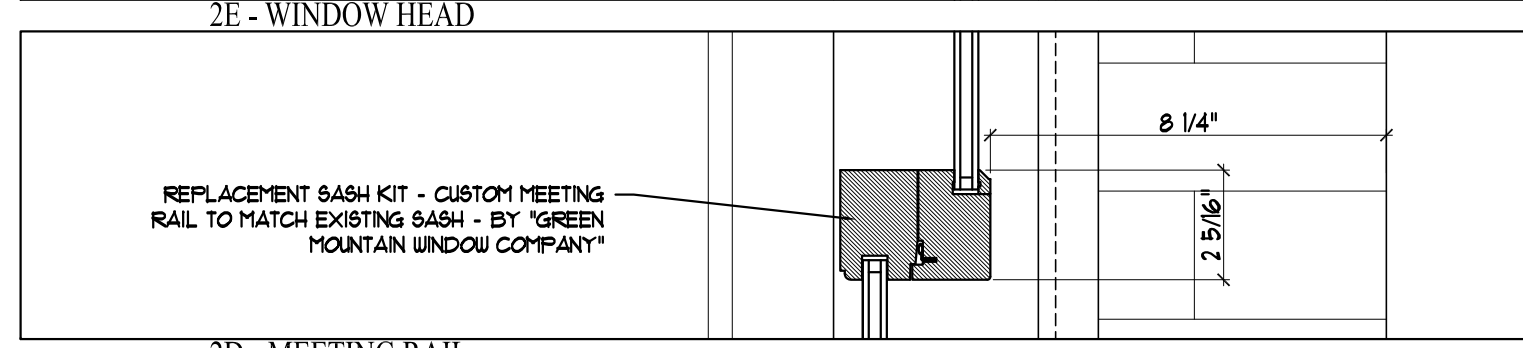
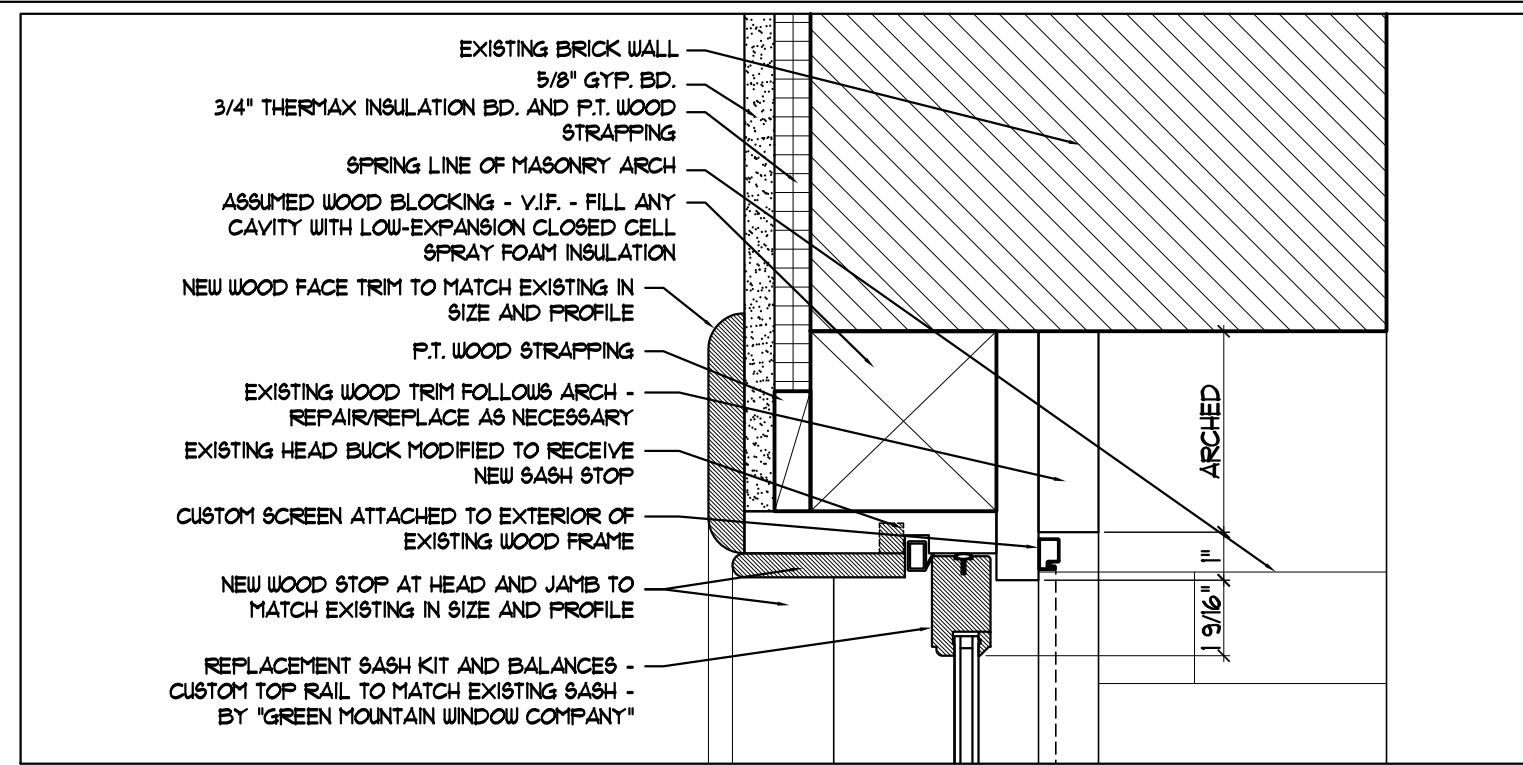


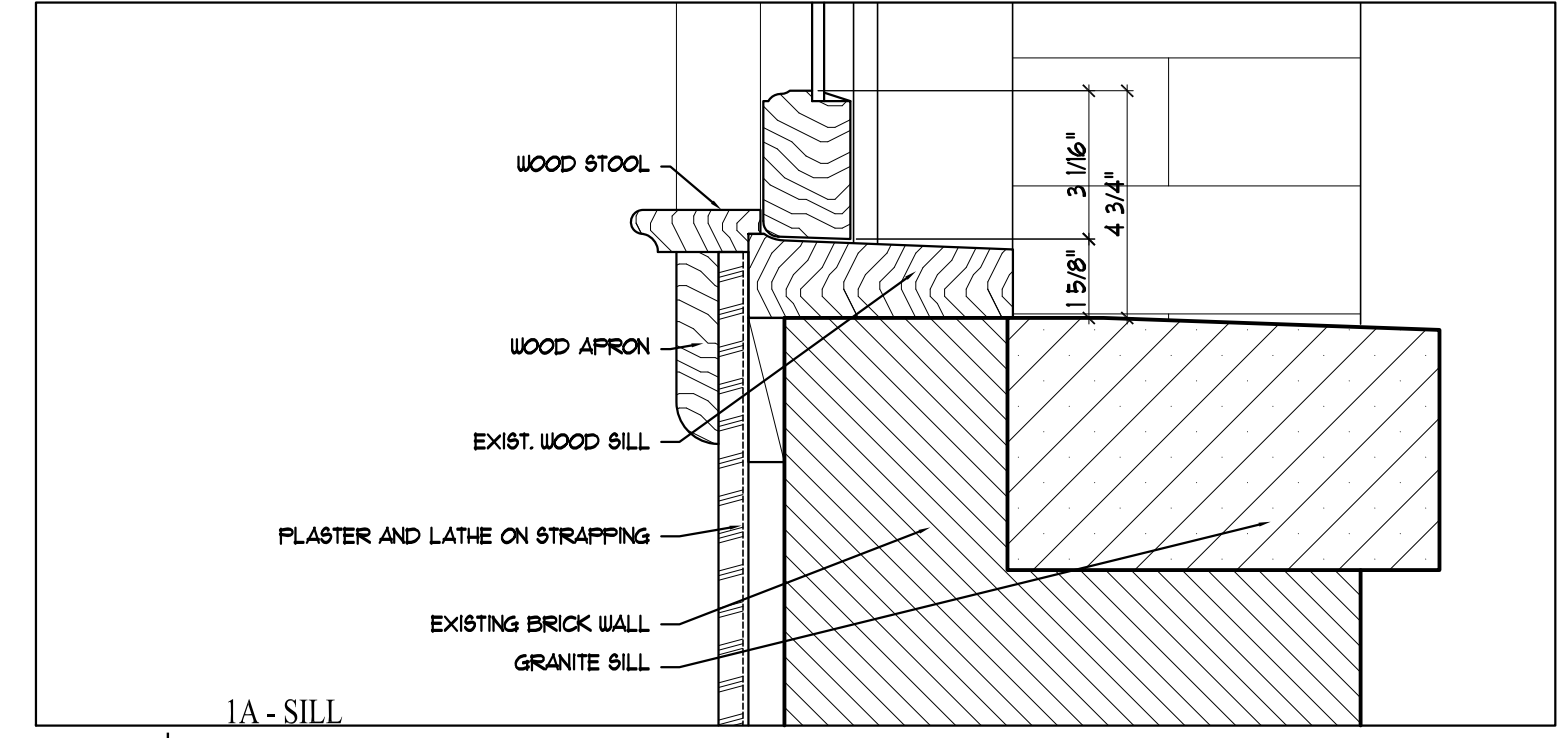
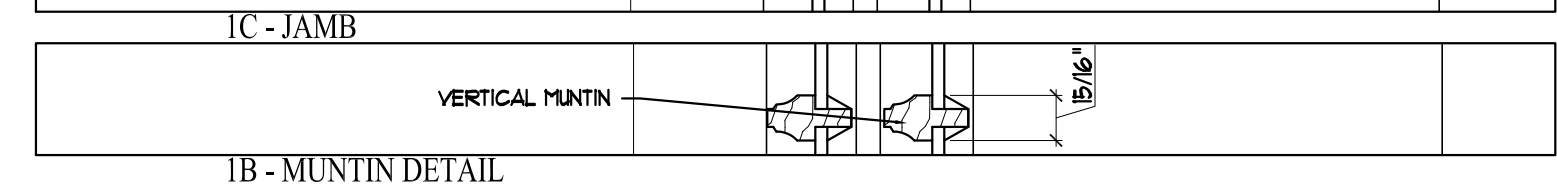
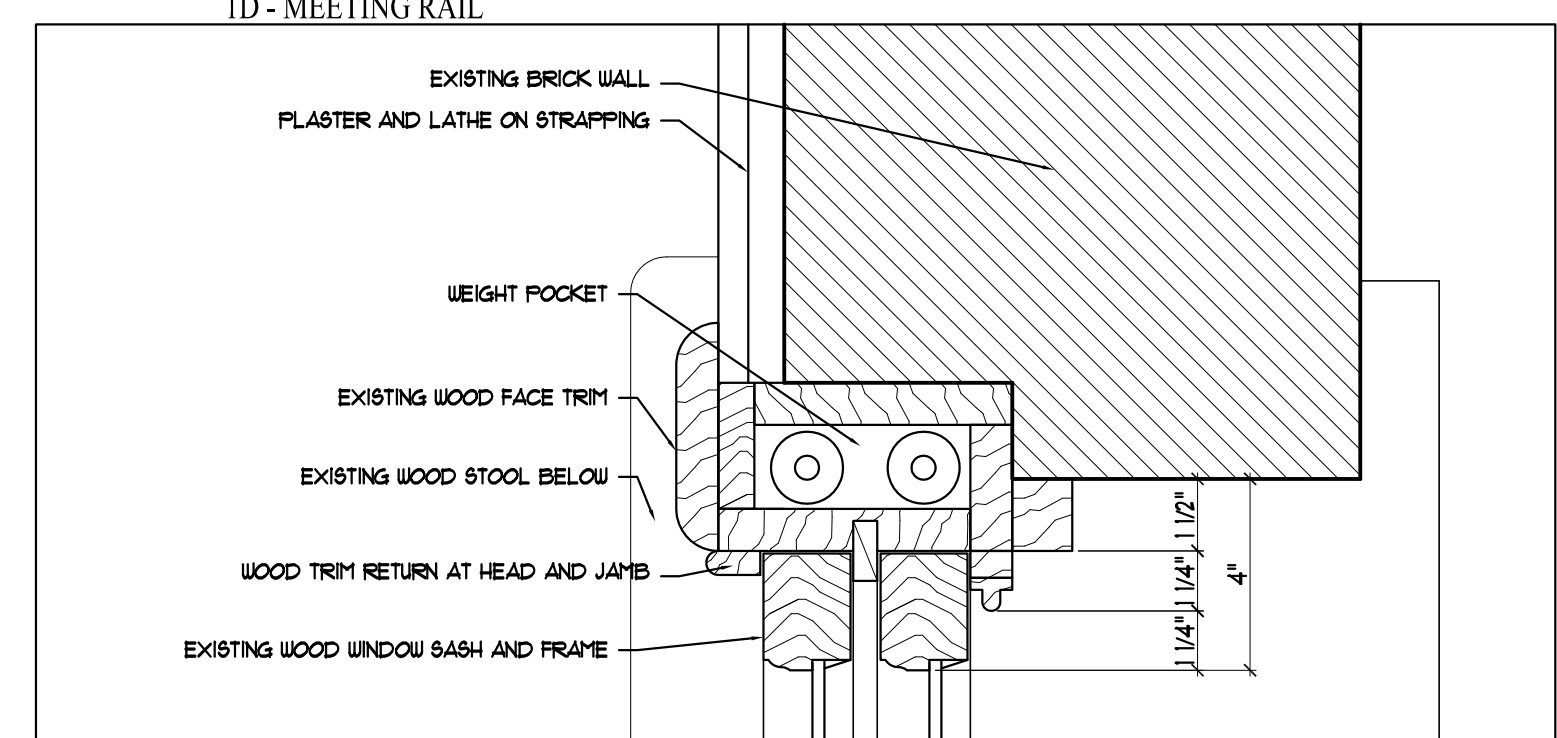
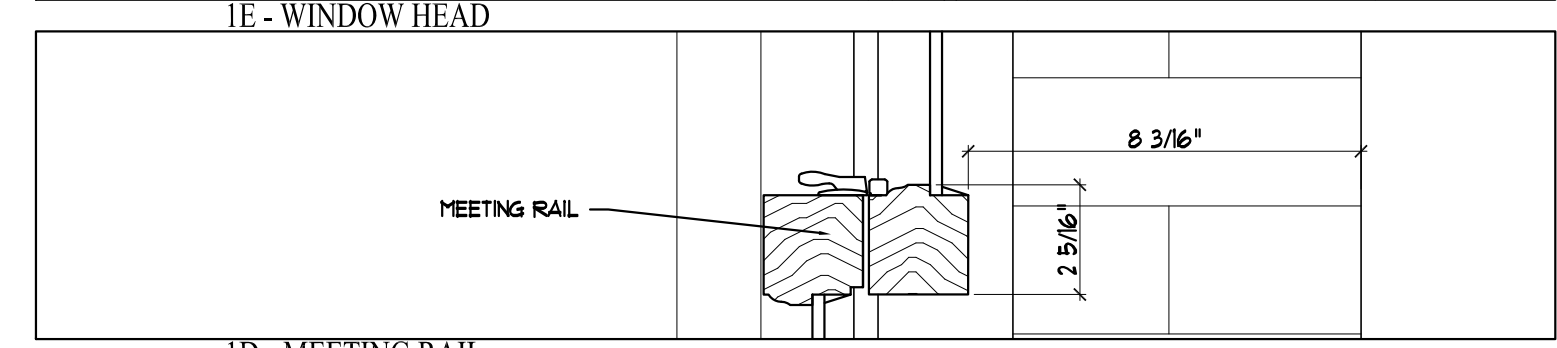
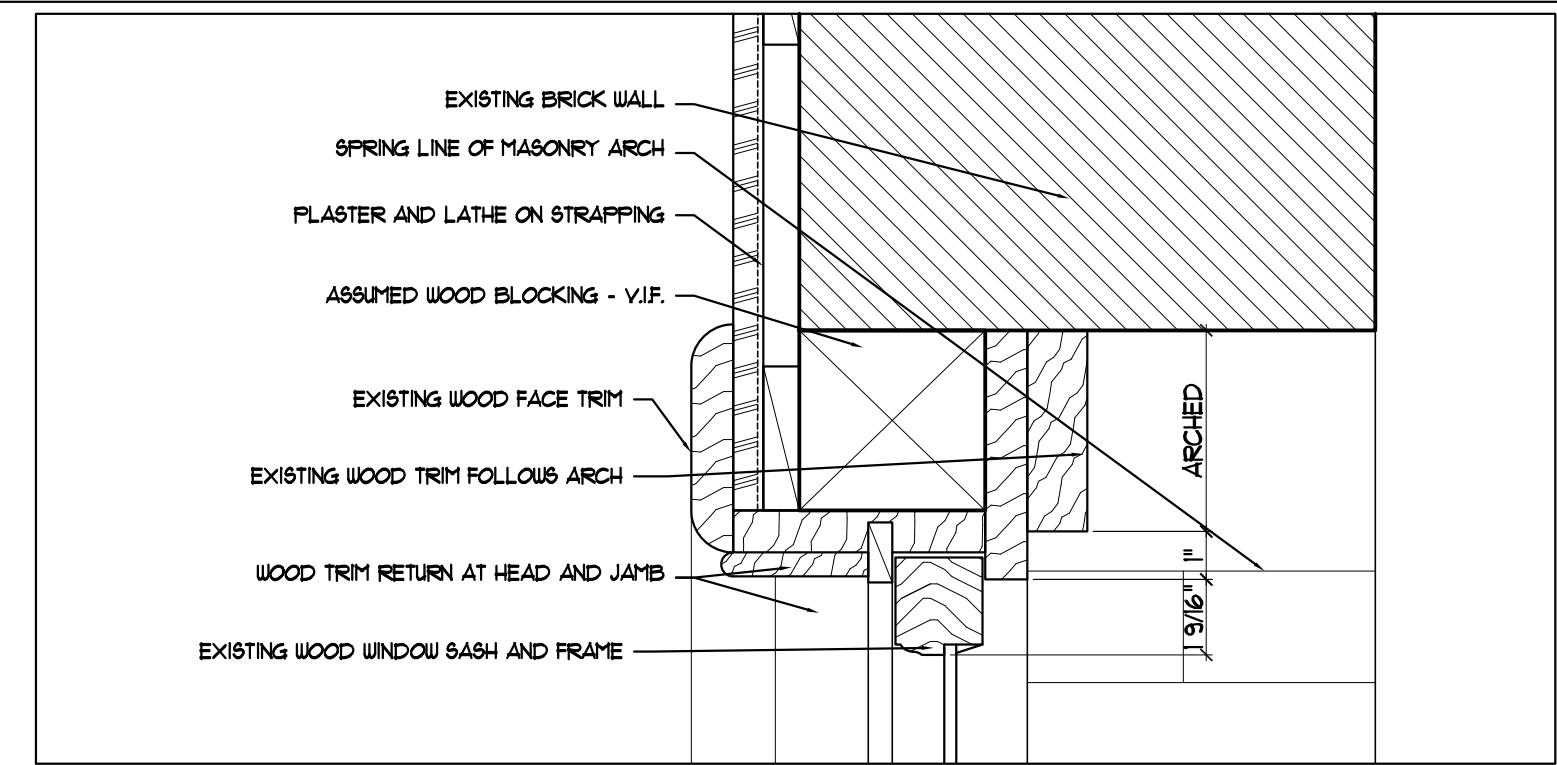
4 PROPOSED TYPE E WINDOW  
SCALE: 3/8"=1'-0"



3 EXISTING TYPE E WINDOW  
SCALE: 3/8"=1'-0"

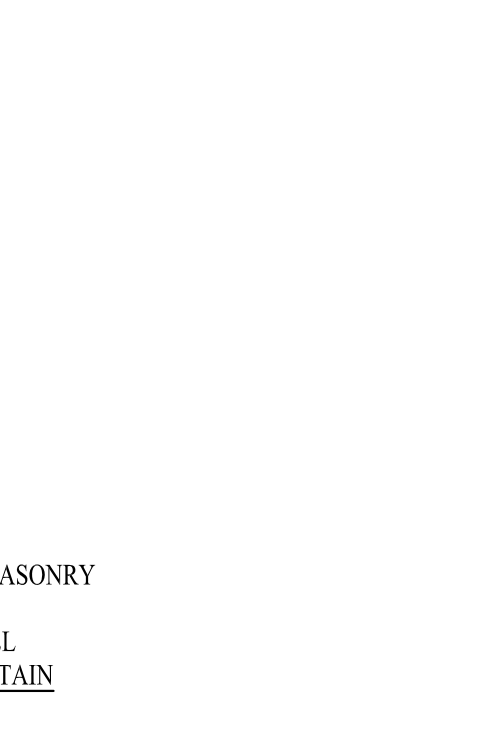
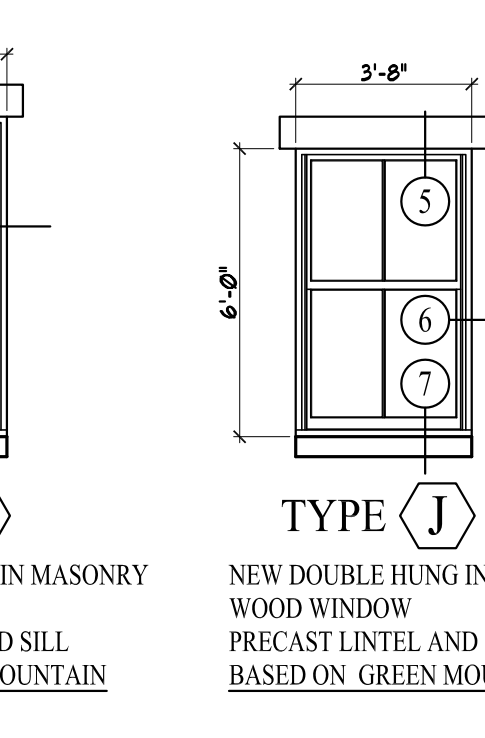
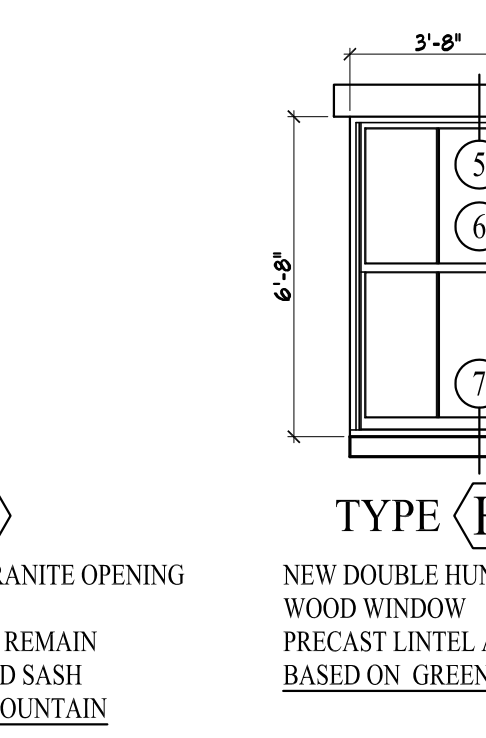
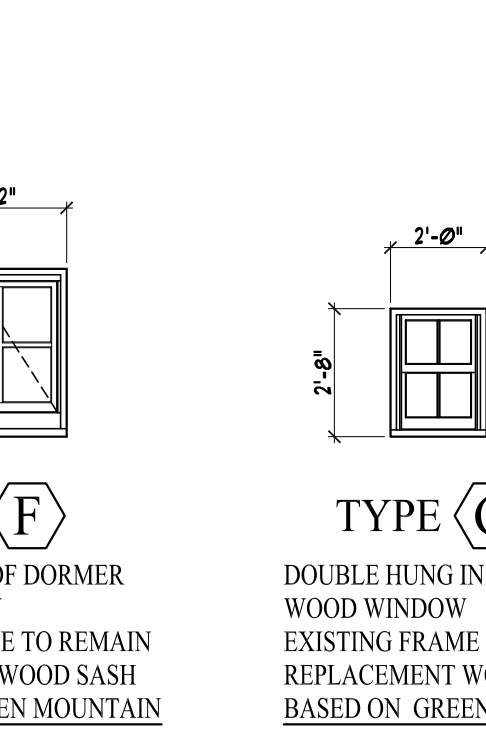
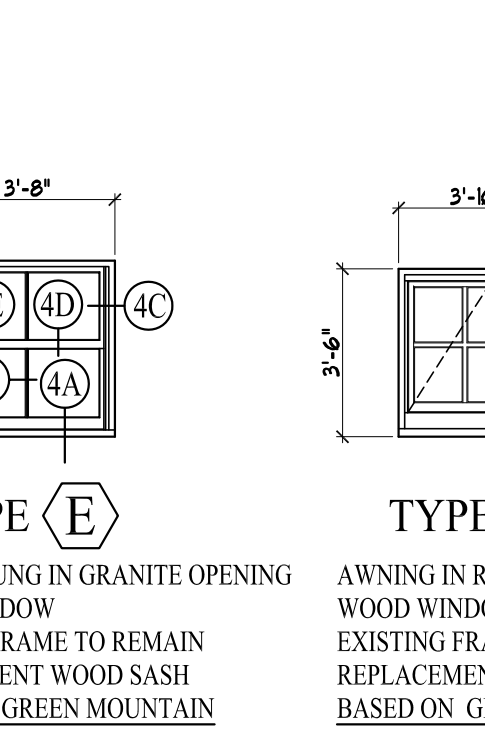
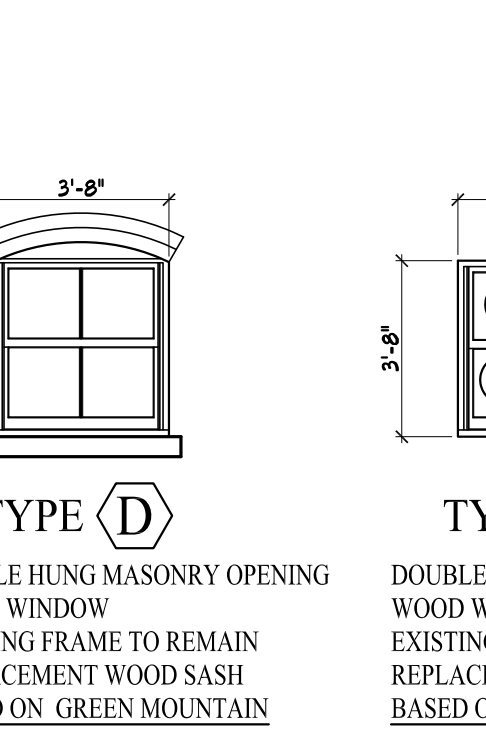
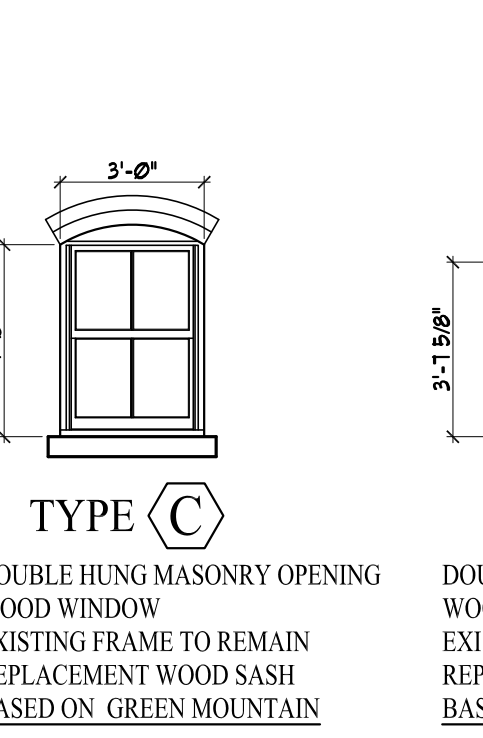
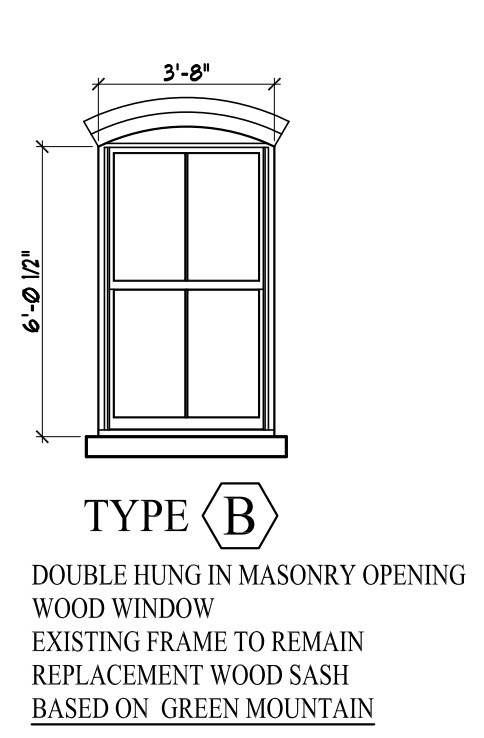
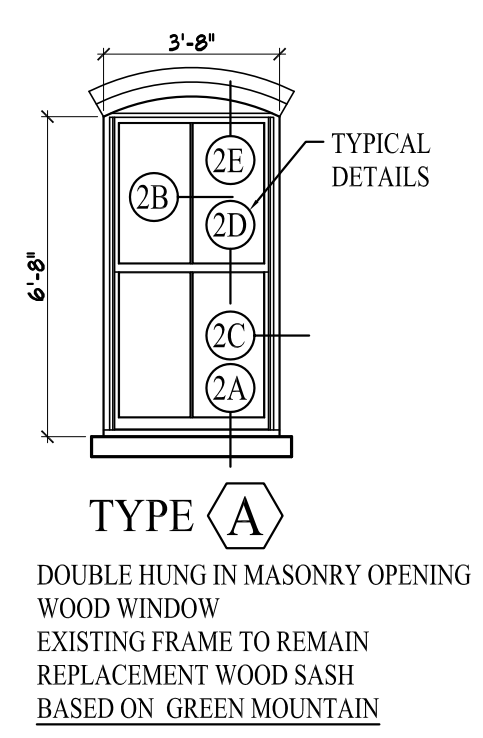


2 PROPOSED TYPE A WINDOW  
SCALE: 3/8"=1'-0"



1 EXISTING TYPE A WINDOW  
SCALE: 3/8"=1'-0"

\* WINDOW SCHEDULE \*



- WINDOW NOTES:
- WHERE POSSIBLE, SALVAGE AND REFURBISH ALL EXISTING WINDOW SASH AND FRAMES. REPAIR, REGLAZE, PAINT AND RE-STRING BALANCE WEIGHTS.
  - WHERE SASH IS BEYOND REASONABLE REPAIR, REPLACE SASH WITH PROPOSED WINDOW DRAWINGS BASED ON GREEN MOUNTAIN
  - CUSTOM FULL-SCREENS
  - BLOCK AND TACKLE BALANCES
  - COPPERTONE HARDWARE
  - CUSTOM PUTTY MUNTINS 2/2 SIMULATED DIVIDED LIGHTS WITH INTERNAL GRIDS TO MATCH EXISTING WINDOWS
  - RETAIN ALL EXISTING WOOD FRAMES AND TRIM IN PLACE AND PREP FOR NEW SASH INSTALLATION
  - INSULATE FRAME WITH CLOSED CELL LOW EXPANDING FOAM IN ALL GAPS AND WEIGHT POCKETS
  - SHIM AND INSTALL NEW WINDOW
  - CAULK IN MATCHING COLOR
  - ALL DIMENSIONS GIVEN ARE TO M.O. UNLESS NOTED OTHERWISE AND SHALL BE FIELD VERIFIED PRIOR TO ANY FABRICATION
  - ALL ROTTEN OR DEGRADED WOOD IN EXISTING FRAMES SHALL BE REPLACED WITH NEW WOOD ELEMENTS WITH PROFILE MATCHING EXSTING. DEGRADED ELEMENTS SHALL BE REMOVED IN WHOLE AND REPLACED RATHER THAN PATCHED.

WINDOW SCHEDULE  
SCALE: 1/4"=1'-0"

Prepared For: **The Inn at Diamond Cove, LLC.**  
PO BOX 3572  
PORTLAND, ME 04101

Interior Designer: **truexcellins INTERIORS**  
209 BATTERY STREET BURLINGTON, VERMONT 05401 USA  
Phone 802.656.2775 800.227.1076  
ARCHITECTURE | INTERIOR DESIGN | TRUEXCELLINS.COM

Architect: **ARCHITYPE architects**  
48 Union Wharf Portland, Maine 04101  
(207) 772-6022 Fax (207) 772-4056

Project: **THE INN AT DIAMOND COVE, LLC**  
McKINLEY COURT  
GREAT DIAMOND ISLAND, MAINE

Scale: VARIES  
Date: 04 March 2013

Revisions:

WINDOW DETAILS

**A5.10**