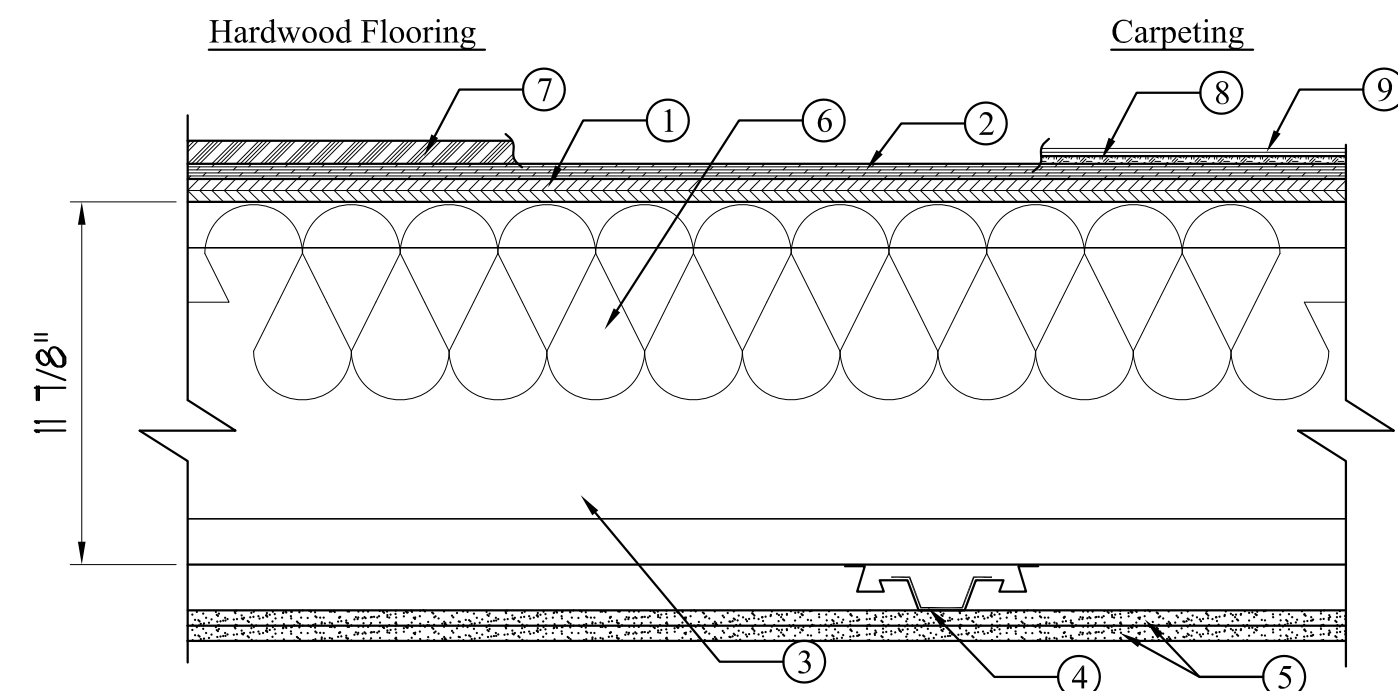
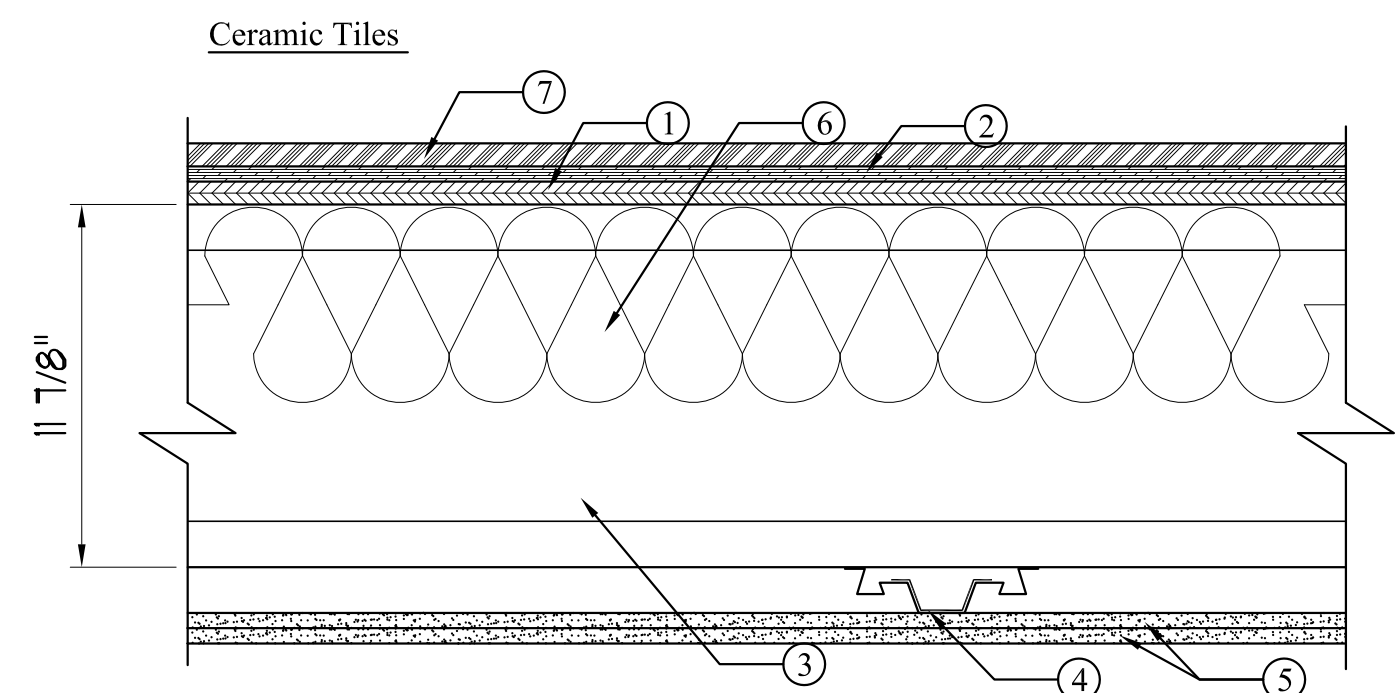


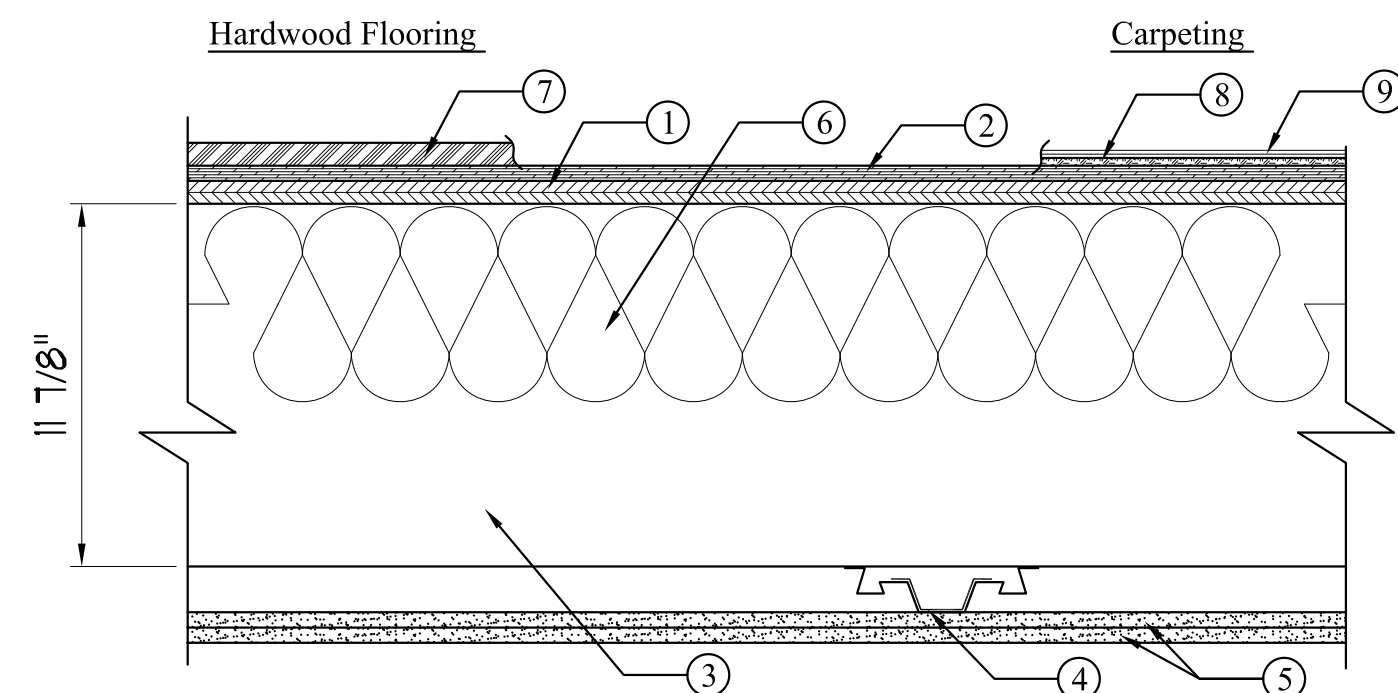
FLOOR/CEILING



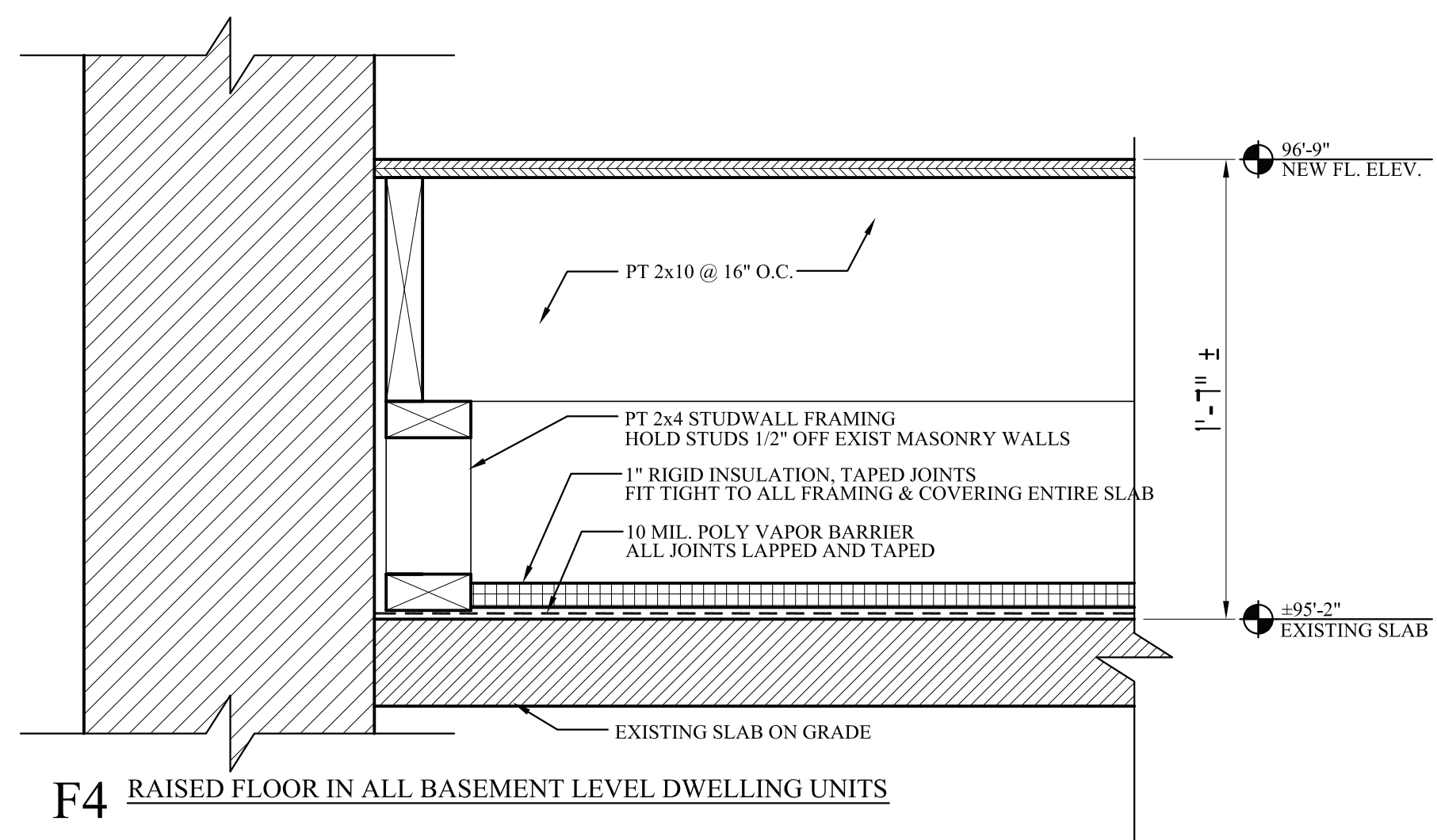
F1 FLOOR/CEILING



F2 FLOOR/CEILING IN BATHROOMS



F3 FLOOR/CEILING IN EXISTING BUILDING



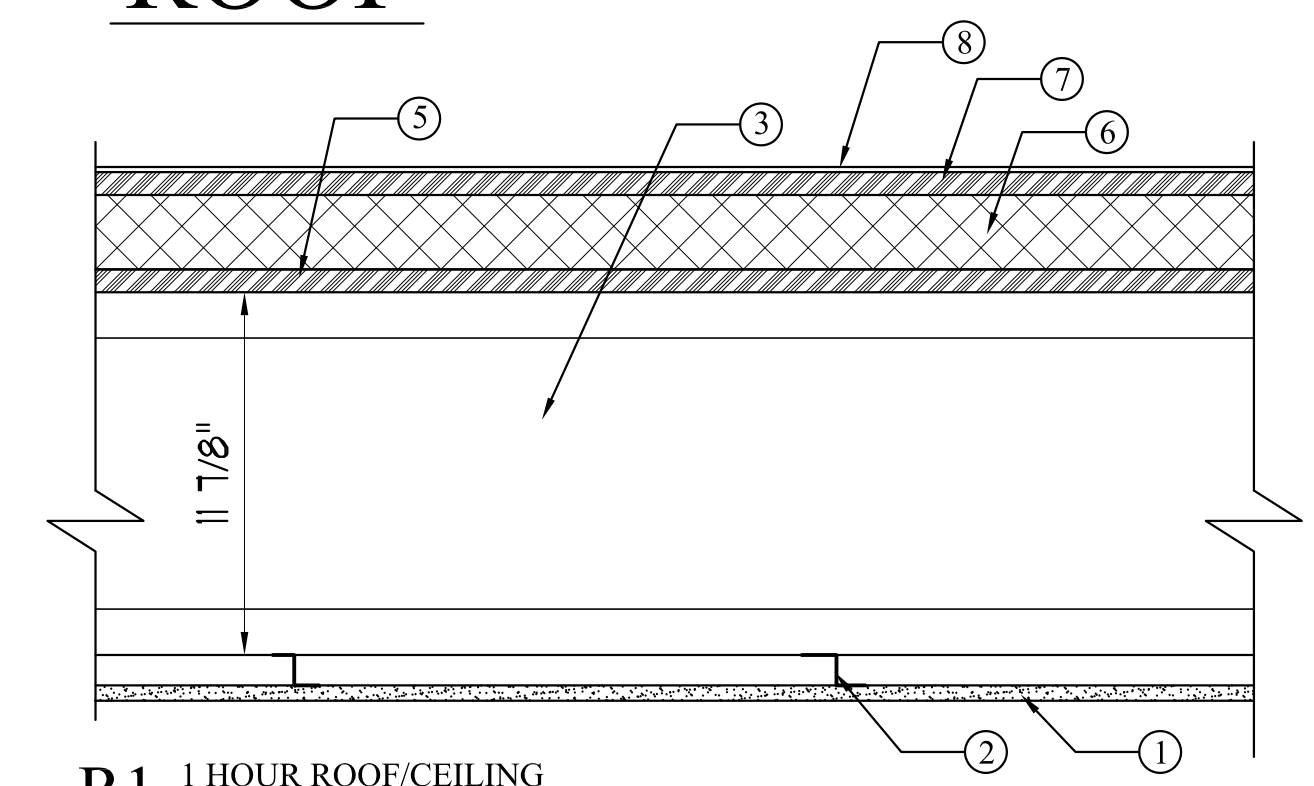
F4 RAISED FLOOR IN ALL BASEMENT LEVEL DWELLING UNITS

- F1 FLOOR / CEILING ASSEMBLY**
 DESIGN NUMBER U.L. L521
 1 HR RATED
 (STC 60 - IIC 57 at hardwood floors) Riverbank Acoustical Laboratory RAL-TL09-350 and RAL-IN09-053
- Subflooring** - Nom 23/32 in. thick wood structural panels installed perpendicular to trusses with end joints staggered. Plywood or panels secured to trusses with construction adhesive and No. 6d ringed shank nails, spaced 12 in. OC along each truss. Staples having equal or greater withdrawal and lateral resistance strength may be substituted for the 6d nails.
 - Sound Isolating Mat** - Bonded recycled rubber mat
 - KINETICS NOISE CONTROL** - Kinetics 3mm Isolation BR
 - Wood Joists** - 11 7/8" I-joists, 24" o.c. with 1-1/4" Type W drywall screws.
 - Ceiling Hangers** - 20 gauge roll-formed hat channel 0.875 in deep by 2.5 in wide mounted to Kinetics WAVE Acoustical Leaf Spring Ceiling Hangers spaced at 24 in. by 48 in. center to center and fastened to joists with (2) 10x1 1/2 in. Round Washer Recex Lo Root screws measuring 1.5 in. long. Wave hangers installed parallel to joists to accommodate hat channels perpendicular to joists.
 - Gypsum Board** - 2 Layers Nom 5/8 in. thick, 48 in. wide gypsum panels attached to the hat channels. Base layer gypsum panels secured with 1 in. long Type S screws spaced 12 in. in the field and at 8 in. OC at the butt joints. Face layer gypsum panels secured with 1 5/8 in. long Type S screws spaced 12 in. in the field and at 8 in. OC at the butt joints. Joints treated with paper tape embedded in all-purpose joint compound and screw heads covered with compound.
 - Insulation (ADDED)** - 6.25 in. Fiberglass batt insulation stapled into upper section of cavity.
- AT HARDWOOD FLOORS:
 7. 3/4" Tongue and Groove Hardwood flooring.
- AT CARPETED AREAS:
 8. Carpet Pad
 9. Carpet

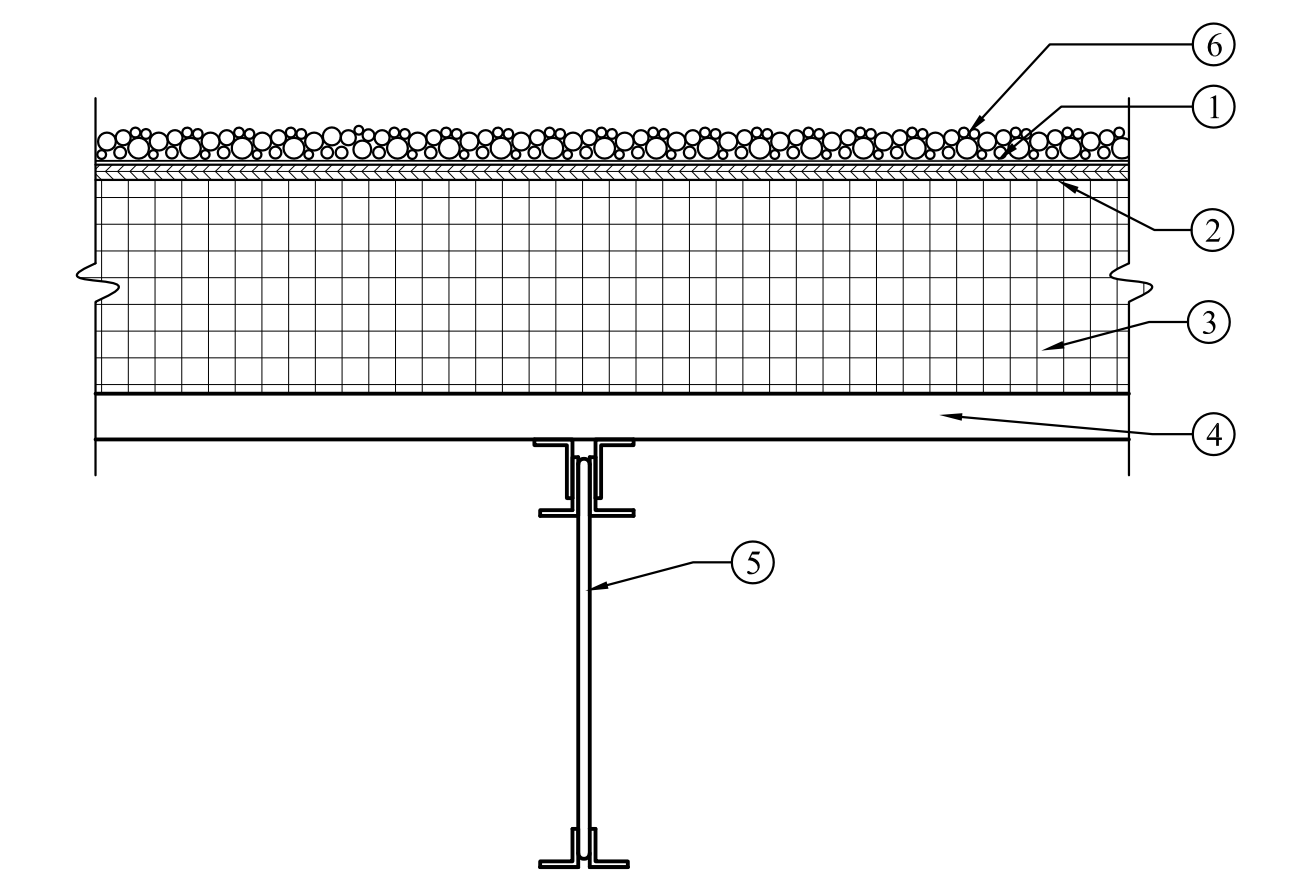
- F2 FLOOR / CEILING ASSEMBLY**
 DESIGN NUMBER U.L. L521
 1 HR RATED
 (STC 60 - IIC 57 at hardwood floors) Riverbank Acoustical Laboratory RAL-TL09-350 and RAL-IN09-053
- Subflooring** - Nom 23/32 in. thick wood structural panels installed perpendicular to trusses with end joints staggered. Plywood or panels secured to trusses with construction adhesive and No. 6d ringed shank nails, spaced 12 in. OC along each truss. Staples having equal or greater withdrawal and lateral resistance strength may be substituted for the 6d nails.
 - Sound Isolating Mat** - Bonded recycled rubber mat
 - KINETICS NOISE CONTROL** - Kinetics 3mm Isolation HB
 - Wood Joists** - 11 7/8" I-joists, 24" o.c. with 1-1/4" Type W drywall screws.
 - Ceiling Hangers** - 20 gauge roll-formed hat channel 0.875 in deep by 2.5 in wide mounted to Kinetics WAVE Acoustical Leaf Spring Ceiling Hangers spaced at 24 in. by 48 in. center to center and fastened to joists with (2) 10x1 1/2 in. Round Washer Recex Lo Root screws measuring 1.5 in. long. Wave hangers installed parallel to joists to accommodate hat channels perpendicular to joists.
 - Gypsum Board** - 2 Layers Nom 5/8 in. thick, 48 in. wide gypsum panels attached to the hat channels. Base layer gypsum panels secured with 1 in. long Type S screws spaced 12 in. in the field and at 8 in. OC at the butt joints. Face layer gypsum panels secured with 1 5/8 in. long Type S screws spaced 12 in. in the field and at 8 in. OC at the butt joints. Joints treated with paper tape embedded in all-purpose joint compound and screw heads covered with compound.
 - Insulation (ADDED)** - 6.25 in. Fiberglass batt insulation stapled into upper section of cavity.
 - Ceramic Tiles** at bathrooms.

- F3 FLOOR / CEILING ASSEMBLY**
 DESIGN NUMBER U.L. L583
 1 HR RATED
 (STC 60 - IIC 57 at hardwood floors) Riverbank Acoustical Laboratory RAL-TL09-350 and RAL-IN09-053
- Subflooring** - Existing 3/4" Wood subflooring or New Nom 23/32 in. thick wood structural panels installed perpendicular to trusses with end joints staggered. Plywood or panels secured to trusses with construction adhesive and No. 6d ringed shank nails, spaced 12 in. OC along each truss. Staples having equal or greater withdrawal and lateral resistance strength may be substituted for the 6d nails.
 - Sound Isolating Mat** - Bonded recycled rubber mat
 - KINETICS NOISE CONTROL** - Kinetics 3mm Isolation BR
 - Wood Joists** - Exist 11 7/8" x 2" wood joists or New 2x12 wood joists @ 16" o.c.
 - Ceiling Hangers** - 20 gauge roll-formed hat channel 0.875 in deep by 2.5 in wide mounted to Kinetics WAVE Acoustical Leaf Spring Ceiling Hangers spaced at 24 in. by 48 in. center to center and fastened to joists with (2) 10x1 1/2 in. Round Washer Recex Lo Root screws measuring 1.5 in. long. Wave hangers installed parallel to joists to accommodate hat channels perpendicular to joists.
 - Gypsum Board** - 2 Layers Nom 5/8 in. thick, 48 in. wide gypsum panels attached to the hat channels. Base layer gypsum panels secured with 1 in. long Type S screws spaced 12 in. in the field and at 8 in. OC at the butt joints. Face layer gypsum panels secured with 1 5/8 in. long Type S screws spaced 12 in. in the field and at 8 in. OC at the butt joints. Joints treated with paper tape embedded in all-purpose joint compound and screw heads covered with compound.
 - Insulation (ADDED)** - 6.25 in. Fiberglass batt insulation stapled into upper section of cavity.
- AT HARDWOOD FLOORS:
 7. 3/4" Tongue and Groove Hardwood flooring.
- AT CARPETED AREAS:
 8. Carpet Pad
 9. Carpet

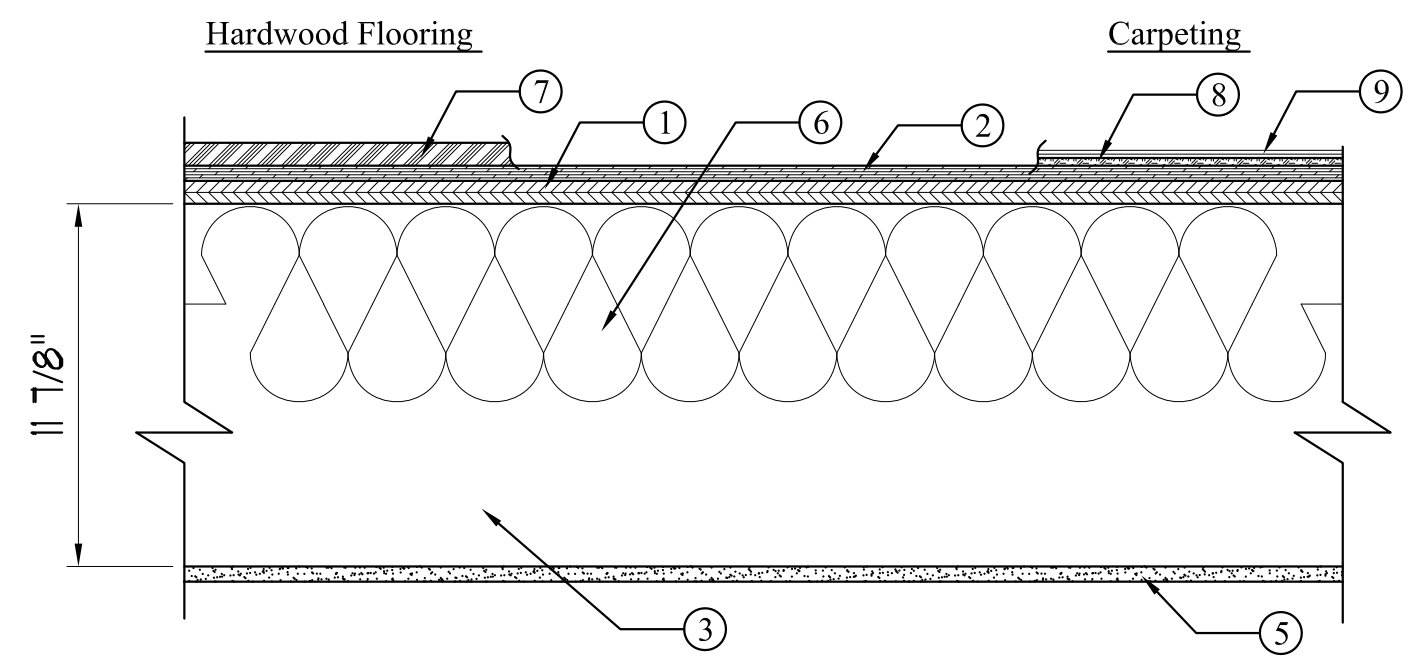
ROOF



R1 1 HOUR ROOF/CEILING
 R2 1 HOUR ROOF/CEILING



R3 UNRATED ROOF ASSEMBLY



F5 FLOOR/CEILING IN EXISTING BUILDING

- R1 ROOF/CEILING ASSEMBLY RATING**
 No fire rating required
- 1/2" type X gypsum wallboard applied at right angles to resilient channels
 - Resilient channels 16" o.c. with 1-1/4" Type S drywall screws 12" o.c. Resilient channels applied at right angles to minimum wood I-joists
 - 11-7/8" I-joists, with minimum 1-1/4" deep x 1-1/2" wide flanges and minimum 3/8" webs, 24" o.c. with 1-1/4" Type W drywall screws, base layer with 1-1/2" Type G screws 12" o.c. Edge joints offset 24" from base layer edge joints.
 - 3/4" OSB, T&G, applied at right angles to I joists with 8d common nails 12" , o.c.
 - Tapered ISO
 - 1/2" O.S.B.
 - .060" EPDM fully adhered roof membrane

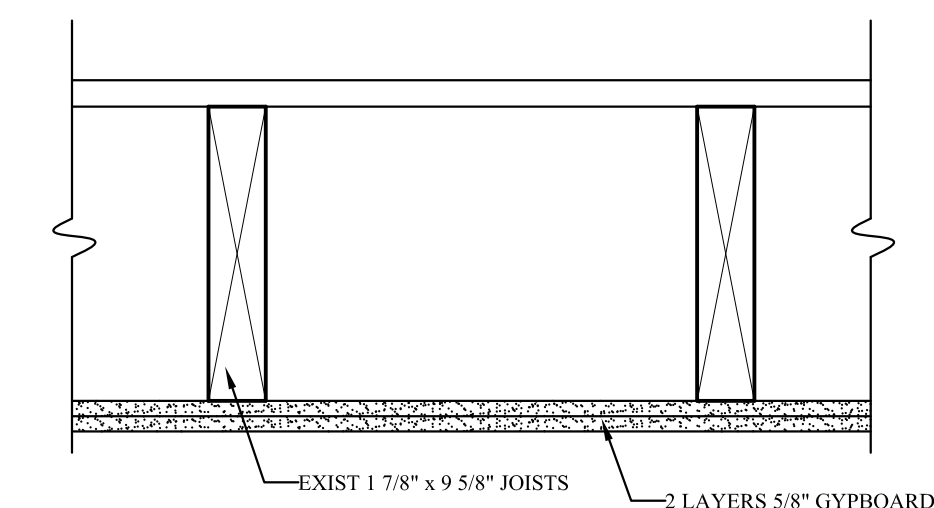
R2 ROOF/CEILING ASSEMBLY RATING

- 2X12's

R3 UNRATED ROOF ASSEMBLY

- Roof Covering - 045" EPDM fully adhered roof membrane.
- Roof Protection Board - 1/2" O.S.B.
- Insulation - Six inches isocyanurate rigid insulation to accomplish R-Value of 38.
- Roof Deck - 20 gauge by 1 1/2" Type B steel deck.
- Bar Joists - Steel bar joists. SEE STRUCTURALS FOR DEPTH AND LAYOUT.
- Ballast - Nominal 1-1/2" rounded water worn gravel. SEE SPECIFICATIONS FOR GRAVEL GRADATION.

- F5 FLOOR / CEILING ASSEMBLY WITHIN GUEST ROOMS**
 DESIGN NUMBER U.L. L583
 1 HR RATED
- Subflooring** - Existing 3/4" Wood subflooring or New Nom 23/32 in. thick wood structural panels installed perpendicular to trusses with end joints staggered. Plywood or panels secured to trusses with construction adhesive and No. 6d ringed shank nails, spaced 12 in. OC along each truss. Staples having equal or greater withdrawal and lateral resistance strength may be substituted for the 6d nails.
 - Sound Isolating Mat** - Bonded recycled rubber mat
 - KINETICS NOISE CONTROL** - Kinetics 3mm Isolation BR
 - Wood Joists** - Exist 11 7/8" x 2" wood joists or New 2x12 wood joists @ 16" o.c.
 - OMT GEMIE CLIPS WITHIN SAME UNIT - Ceiling Hangers** - 20 gauge roll-formed hat channel 0.875 in deep by 2.5 in wide mounted to Kinetics WAVE Acoustical Leaf Spring Ceiling Hangers spaced at 24 in. by 48 in. center to center and fastened to joists with (2) 10x1 1/2 in. Round Washer Recex Lo Root screws measuring 1.5 in. long. Wave hangers installed parallel to joists to accommodate hat channels perpendicular to joists.
 - Gypsum Board** - Single Layer 5/8 in. thick, 48 in. wide gypsum panels attached directly to structure. Gypsum panels secured with 1 in. long Type S screws spaced 12 in. in the field and at 8 in. OC at the butt joints. Joints treated with paper tape embedded in all-purpose joint compound and screw heads covered with compound.
 - Insulation (ADDED)** - 6.25 in. Fiberglass batt insulation stapled into upper section of cavity.
- AT HARDWOOD FLOORS:
 7. 3/4" Tongue and Groove Hardwood flooring.
- AT CARPETED AREAS:
 8. Carpet Pad
 9. Carpet



C1 1 HOUR RATED STAIRSHAFT CAP AND TRASHROOM & ELEV MECH RM CEILING

C1 ROOF/CEILING ASSEMBLY 1 HOUR RATING

GA FILE NO. FC 5406 GENERIC 1 HOUR FIRE
 35 to 39 STC SOUND
 Approx. Ceiling Weight: 3 pcf
 Fire Test: FMRC 175-25572
 ITS: 8-6-08
 Sound Test: Estimated
WOOD JOISTS, GYPSUM WALLBOARD
 Base layer: 1/2" Type X gypsum wallboard applied at right angles to 2 x 10 wood joists 24" o.c. with 1/2" Type W or S drywall screws 24" o.c. Face layer: 1/2" Type X gypsum wallboard or gypsum veneer base applied at right angles to joists with 1 1/2" Type W or S drywall screws 12" o.c. at joints and intermediate joints and 1/2" Type G drywall screws 12" o.c. placed 2" back on either side of end joints. Joints offset 24" from base layer joints. Wood joists supporting 1/2" plywood with exterior glue applied at right angles to joists with 8d nails. Ceiling provides one hour fire resistance protection for framing, including trusses.

Prepared For:
The Inn at Diamond Cove, LLC.
 PO BOX 3572
 PORTLAND, ME 04101

Interior Designer:
truexcollins
 INTERIORS
 209 BATTERY STREET BURLINGTON, VERMONT 05401 USA
 Phone 802.656.2775 800.227.1076
 ARCHITECTURE | INTERIOR DESIGN | truexcollins.com

Architect:
ARCHETYPE
 architects
 48 Union Wharf Portland, Maine 04101
 (207) 772-6022 Fax (207) 772-4056

Project:
THE INN AT DIAMOND COVE, LLC
 MCKINLEY COURT
 GREAT DIAMOND ISLAND, MAINE

Revisions:

Scale: AS NOTED
 Date: 04 March 2013
FLOOR TYPES

A4.02