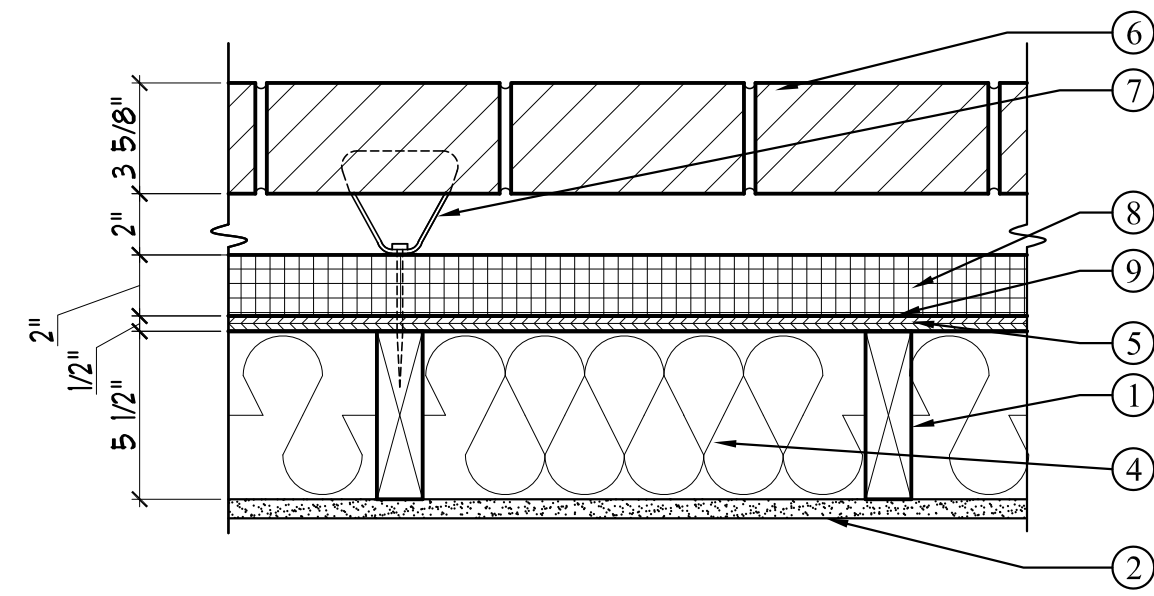


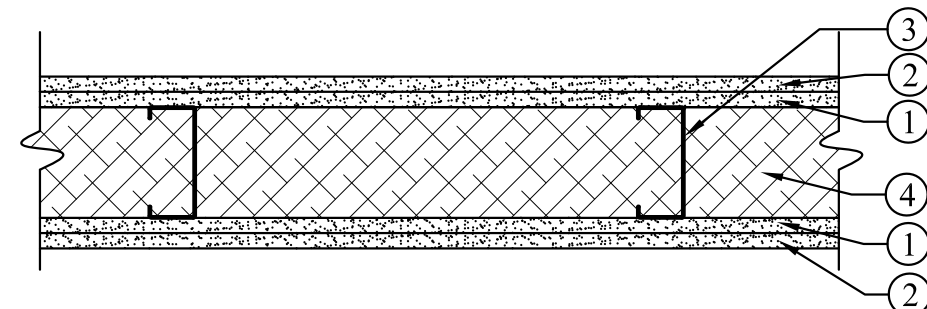
# WALL TYPES



**W8** 1 HOUR BEARING & NON-BEARING BRICK MASONRY WALL

**W8** EXTERIOR BRICK VENEER WALL  
NO FIRE RATING REQUIRED  
R-VALUE = 32

- Wood Studs** – Nom 2 by 6 in. (SEE STRUCTURALS FOR SPACING) with two 2 by 6 in. top and one 2 by 6 in. bottom plates. Studs laterally-braced by wood structural panel sheathing (Item 5) and effectively fire stopped at top and bottom of wall.
- Wallboard, Gypsum** – Any UL Classified 5/8 in. thick, 4 ft wide, applied vertically and nailed to studs and bearing plates 7 in. OC with 6d cement-coated nails, 1-7/8 in. long with 1/4 in. diam head.
- Joints and Nailheads** – (Not Shown) – Wallboard joints covered with tape and joint compound. Nail heads covered with joint compound.
- Insulation** – 5 1/2" High density Fiberglass Batts
- Wood Structural Panel Sheathing** – Min 7/16 in. thick, 4 ft wide wood structural panels, min grade "C-D" or "Sheathing". Installed with long dimension of sheet (strength axis) or face grain of plywood parallel with or perpendicular to studs. Vertical joints centered on studs. Horizontal joints backed with nom 2 by 6 in. wood blocking. Attached to studs on exterior side of wall with 6d cement coated box nails spaced 6 in. OC at perimeter of panels and 12 in. OC along interior studs.
- Brick Veneer** – Any type of nom 4 in. wide brick veneer. When brick veneer is used, the rating is applicable with exposure on either face. Two in. air space provided between brick veneer and sheathing. (**Stone Veneer used where shown in documents.**)
- Stainless Steel Brick Ties** - Hohmann & Bamard, Inc. 2-Seal Concrete ties attached through insulation to studs. Ties spaced not more than each sixth course of brick and max 32 in. OC horizontally.
- Insulation** – 2" Foil faced Polyisocyanurate rigid insulation. All joints between boards to be taped.
- Vapor/Air Barrier** – Building wrap vapor/air barrier applied over wall sheathing. All seams taped in accordance with manufacturer's instruction.



**W9** 1 HOUR CORRIDOR WALL (1/2 HOUR REQUIRED)

**W9** 1 HOUR CORRIDOR WALL ASSEMBLY

GA FILE NO. WP 1521 GENERIC 2 HOUR FIRE  
55 to 59 STC SOUND  
Thickness: 55/8"  
Approx. Weight: 9 psf  
Fire Test: See WP 1545  
(UC, 9-7-64; ULC 80T499, 3-26-81, ULC Design W414)  
Sound Test: NRCC 815-NV, 2-3-81  
GYPSUM WALLBOARD, STEEL STUDS

- Base layer 1/2" type X gypsum wallboard or gypsum veneer base applied parallel to each side of steel studs, with 1" Type S drywall screws 24" o.c.
- Face layer 1/2" type X gypsum wallboard or gypsum veneer base applied parallel to each side with 15/8" Type S drywall screws 12" o.c. Joints staggered 24" each layer and side.
- Studs** - 3 5/8" steel studs 24" o.c.\*
- Fiber, Sprayed** – Spray applied cellulose material. The fiber is applied with water to completely fill the enclosed cavity in accordance with the application instructions supplied with the product. Nominal dry density of 3.0 lb/ft3.

**NOTE:**  
All walls that have cellulose insulation are to have horizontal blocking the full width of the studs at 5'-0" intervals.

\* Sim 1 - 5 1/2" Studs

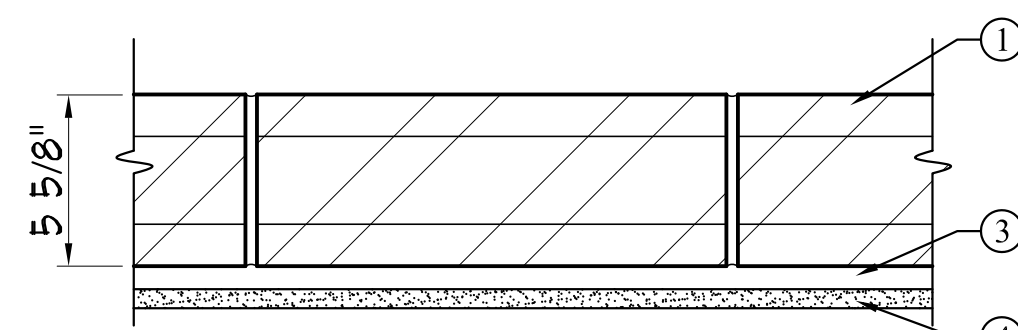
**W10** UNRATED PARTITION WALL ASSEMBLY

- Floor and Ceiling Runners** – Channel shaped, attached to floor and ceiling in two rows, a min 1 in. apart, with steel fasteners spaced 24 in. OC. Runners fabricated from min No. 25 MSG galv steel, 1-1/4 in. deep and 6 in. wide.
- Steel Studs** – Channel shaped, supplied with cutouts, friction-fitted into floor and ceiling runners and spaced a max 24 in. OC. Studs cut 1/2 in. less than assembly height and evenly staggered between the two rows of floor and ceiling runners. Studs fabricated from min No. 25 MSG galv steel, min 3 5/8 in. wide by 1-5/8 in. deep with 3/8 in. folded back return flange legs.
- Gypsum Board** – 5/8 in. thick, 4 ft wide, attached to wood studs with Type S steel screws spaced 8 in. OC, along edges of board and 12 in. OC in the field of the board. Joints oriented vertically and staggered on opposite sides of the assembly 48 in. OC.
- Joint Tape and Compound** – Vinyl, dry or premixed joint compound, applied in two coats to joints and screw heads; paper tape, 2 in. wide, embedded in first layer of compound over all joints. As an alternate, nominal 3/32 in. thick gypsum veneer plaster may be applied to the entire surface of Classified veneer baseboard. Joints reinforced. Paper tape and joint compound may be omitted when gypsum boards are supplied with square edges.
- Fiber, Sprayed** – Spray applied cellulose material. The fiber is applied with water to completely fill the enclosed cavity in accordance with the application instructions supplied with the product. Nominal dry density of 3.0 lb/ft3.

**NOTE:**  
All walls that have cellulose insulation are to have horizontal blocking the full width of the studs at 5'-0" intervals.

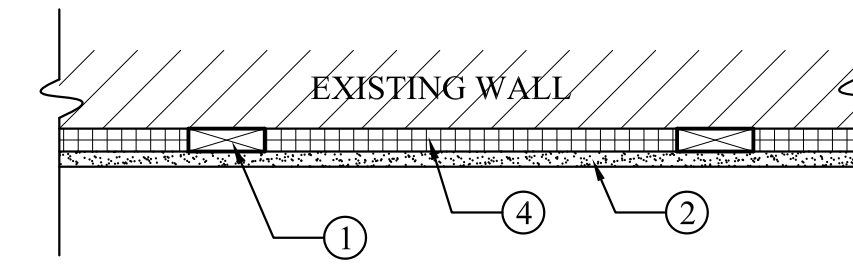
**W11** BEARING/NON-BEARING CMU WALL, 2-HOUR  
DESIGN NUMBER U.L. U906

- Concrete Blocks** - Nominal 6x8x16 inch, hollow, Classification D-2 (2 hr).
- Mortar** - Blocks laid in full bed of mortar, nom. 3/8 in. thick, of not less than 2-1/4 and not more than 3-1/2 parts of clean sharp sand to 1 part Portland cement (proportioned by volume) and not more than 50 percent hydrated lime (by cement volume). Vertical joints staggered.
- Resilient Channel** - 7/8" - 16" OC.
- Gypsum Board** – 5/8 in. thick, 4 ft wide, attached to resilient channel with Type S steel screws spaced 8 in. OC, along edges of board and 12 in. OC in the field of the board. Joints oriented vertically and staggered on opposite sides of the assembly 48 in. OC.

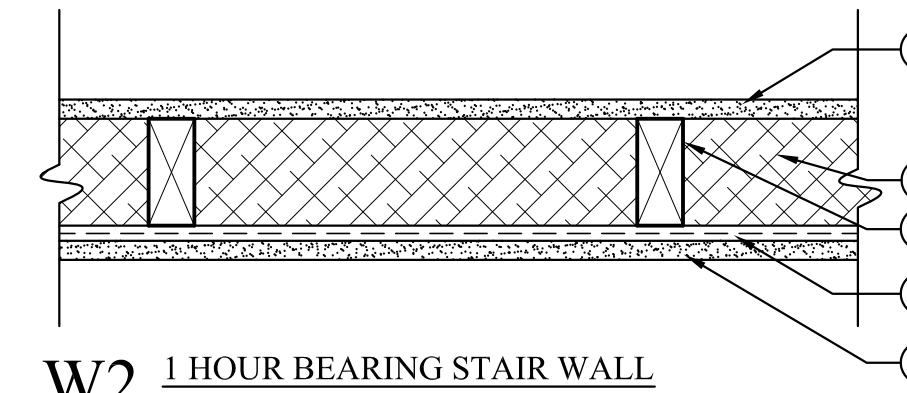


**W11** 2 HOUR WALL ASSEMBLY (1 HOUR REQUIRED)

# WALL TYPES



**W1** UNRATED INSULATING WALL AT EXISTING EXTERIOR WALL



**W2** 1 HOUR BEARING STAIR WALL

**W1** INSULATING WALL AT EXISTING EXTERIOR BRICK WALL

NO FIRE RATING REQUIRED

- Wood Strapping** – Nom 1x3 Pressure Treated Wood Strapping.
- Wallboard, Gypsum** – Any UL Classified 5/8 in. thick, 4 ft wide.
- Joints and Nailheads** – (Not Shown) – Wallboard joints covered with tape and joint compound. Nail heads covered with joint compound.
- Insulation** – 3/4" Thermax Insulation - Foil Faced

**W2** 1-HOUR BEARING WALL ASSEMBLY

G.A. FILE NO. WP3240  
Fire Test: UL R1319-93, 94, 129; UL Des. U311

- Wood Studs** – Nom 2 by 4 in. (SEE STRUCTURALS FOR SPACING) with two 2 by 4 in. top and one 2 by 4 in. bottom plates.
- Wallboard, Gypsum** – 5/8" proprietary type X gypsum wallboard applied parallel to channels with 1 1/4" Type W drywall screws 12" o.c. End joints backblocked with resilient channels. Vertical joints staggered 48" on opposite sides.
- Resilient channels** – 24" o.c. attached at right angles to ONE SIDE of 2X6's with 1-1/4" Type S drywall screws.
- Fiber, Sprayed** – Spray applied cellulose material. The fiber is applied with water to completely fill the enclosed cavity in accordance with the application instructions supplied with the product. Nominal dry density of 3.0 lb/ft3.

**NOTE:**  
All walls that have cellulose insulation are to have horizontal blocking the full width of the studs at 5'-0" intervals.

\* SIM 1 - 5 1/2" Studs.

**W3** 1 HOUR WALL ASSEMBLY - 60-64 STC

DESIGN NUMBER U.L. U493 (G.A. File WP5006 PROPRIETARY 1 HOUR FIRE)  
STC RATING - 60-64 Sound Test: ULC STG-050817, 8-11-05  
Fire Test: UL R1319, 96NKS1548, 10-21-96 UL Design U493

- Floor and Ceiling Runners** – Channel shaped, attached to floor and ceiling in two rows, a min 3/4 in. apart, with steel fasteners spaced 24 in. OC. Runners fabricated from min No. 25 MSG galv steel, 1-1/4 in. deep and 3-5/8 in. wide.
- Steel Studs** – Channel shaped, supplied with cutouts, friction-fitted into floor and ceiling runners and spaced a max 24 in. OC. Studs cut 1/2 in. less than assembly height and evenly staggered between the two rows of floor and ceiling runners. Studs fabricated from min No. 25 MSG galv steel, min 3-5/8 in. wide by 1-5/8 in. deep with 3/8 in. folded back return flange legs.
- Lateral Bracing** – (Not shown) – Right angle-shaped, supplied with notches spaced 12, 16, or 24 in. OC, friction-fitted to the cutouts in steel studs, supplied in 7/8 in. by 7/8 in. by 59 in. lengths. Lateral bracing bars fabricated from min. 20 MSG galvanized steel. The bracing shall meet the 1996 Edition of the American Iron and Steel Institute (AISI) "Specification for the Design of Cold-Formed Steel Structural Members.
- Gypsum Board** – Nom 5/8 in. thick, 4 ft. wide, gypsum panels with beveled, square or tapered edges, applied vertically or horizontally. Single layer installed on each side of the steel studs. Vertical joints centered over studs and staggered one stud cavity on opposite sides of studs. Horizontal edge joints and horizontal butt joints need not be backed by framing. Horizontal edge joints and horizontal butt joints on opposite sides of studs need not be staggered. Panels attached to steel studs and floor runner with 1 in. long Type S steel screws spaced 8 in. OC when applied horizontally, or 8 in. OC along vertical and bottom edges and 12 in. OC in the field when applied vertically. When used in widths other than 48 in., gypsum panels to be installed horizontally. United States Gypsum Company - 5/8" SHEETROCK® Brand FIRECODE® Core Gypsum Panels
- Fiber, Sprayed** – (ADDED) Spray applied cellulose material. The fiber is applied with water to completely fill the enclosed cavity in accordance with the application instructions supplied with the product. Nominal dry density of 3.0 lb/ft3.
- Joint Tape and Compound** – (Not Shown) – Outer layer joints covered with joint compound and paper or mesh tape. Screw heads covered with joint compound. Paper tape and joint compound may be omitted when gypsum boards are supplied with square edges.
- Mesh Netting** – (Not shown) - Any thin, woven or non-woven fibrous netting material attached with staples to the outer face of one row of studs to facilitate the installation of the sprayed fiber from the opposite row.

**NOTE:**  
All walls that have cellulose insulation are to have horizontal blocking the full width of the studs at 5'-0" intervals.

**W4** UNRATED PARTITION WALL ASSEMBLY

- Floor and Ceiling Runners** – Channel shaped, attached to floor and ceiling in two rows, a min 1 in. apart, with steel fasteners spaced 24 in. OC. Runners fabricated from min No. 25 MSG galv steel, 1-1/4 in. deep and 6 in. wide.
- Steel Studs** – Channel shaped, supplied with cutouts, friction-fitted into floor and ceiling runners and spaced a max 24 in. OC. Studs cut 1/2 in. less than assembly height and evenly staggered between the two rows of floor and ceiling runners. Studs fabricated from min No. 25 MSG galv steel, min 3 5/8 in. wide by 1-5/8 in. deep with 3/8 in. folded back return flange legs.\*
- Gypsum Board** – 5/8 in. thick, 4 ft wide, attached to wood studs with Type S steel screws spaced 8 in. OC, along edges of board and 12 in. OC in the field of the board. Joints oriented vertically and staggered on opposite sides of the assembly 48 in. OC.\*
- Joint Tape and Compound** – Vinyl, dry or premixed joint compound, applied in two coats to joints and screw heads; paper tape, 2 in. wide, embedded in first layer of compound over all joints. As an alternate, nominal 3/32 in. thick gypsum veneer plaster may be applied to the entire surface of Classified veneer baseboard. Joints reinforced. Paper tape and joint compound may be omitted when gypsum boards are supplied with square edges.

\* SIM 1 - 5 1/2" Studs.

SIM 2 - Fiber Reinforced Panel - Tag side only. No Gypsum either side.

SIM 3 - 1 Hour Rated - UL DES U465 - Fiber Reinf. Panel - Tag side only. 5/8" Gypsum both sides.

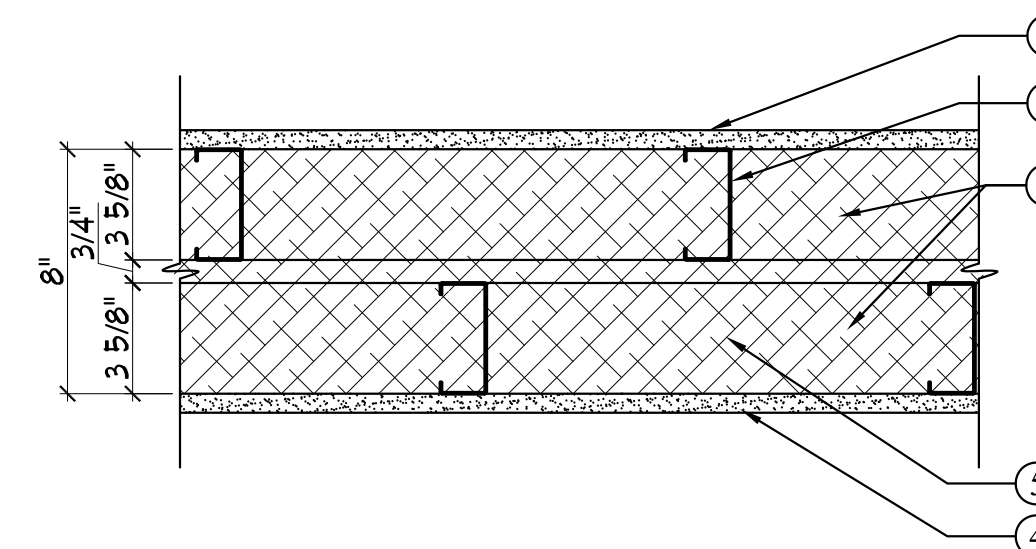
SIM 4 - 3 1/2" FG sound attenuating batt insulation.

**W5** 2 HR NON-BEARING SHAFT WALL ASSEMBLY 45 to 49 STC  
G.A. FILE NO. WP7083

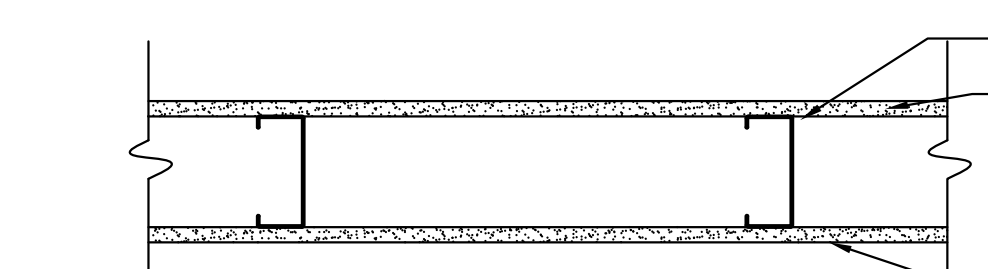
Fire Test: WHI 495-0569, 11-4-83; 495-0570, 11-7-83  
Sound Test: WEAL 84-108, 3-16-84

- One layer 1" x 24" proprietary type X gypsum panels**
- Gypsum inserted between 2-1/2" floor and ceiling J runners with H section of 2-1/2" 20 gage proprietary vented C-H steel studs between panels.
- 1-1/2" mineral fiber insulation in stud space.
- Base layer 5/8" proprietary type X gypsum wallboard applied parallel to studs with 1" long Type S-12 drywall screws 24" o.c.
- Face layer 1/2" proprietary cementitious backer units applied parallel or at right angles to studs with 1-5/8" long Type S-12 wafer head screws spaced 8" o.c. and 4" wide strips of ANSI A136.1 Type 1 organic adhesive midway between studs applied using a 1/4" notched trowel. Joints offset from base layer joints.

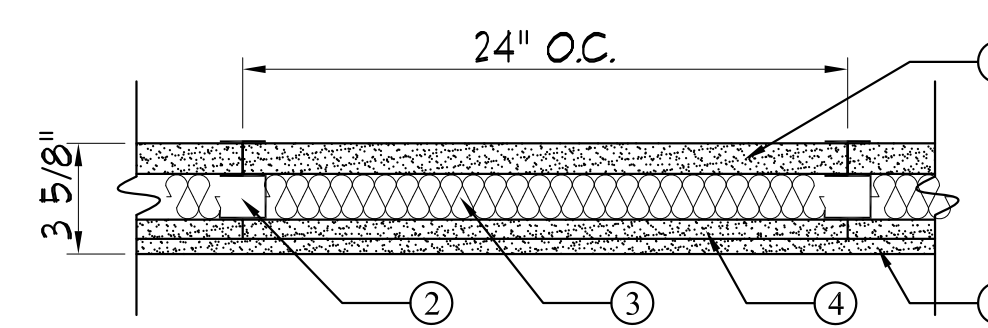
(NLB)  
**PROPRIETARY GYPSUM BOARD**  
- United States Gypsum Company - 5/8" SHEETROCK® Brand Gypsum Panels, FIRECODE® Core  
- 1" SHEETROCK® Brand Gypsum Liner Panels



**W3** 1 HOUR DWELLING UNIT SEPARATION



**W4** TYPICAL UNRATED INTERIOR PARTITION



**W5** 2 HOUR NON-BEARING SHAFT WALL

Prepared For:

The Inn at Diamond Cove, LLC.

PO BOX 3572  
PORTLAND, ME 04101

Interior Designer:

truexcellins INTERIORS

299 BATTERY STREET RUMFORD, VERMONT 05476 USA  
PHONE 802.656.2775 800.227.1076  
ARCHITECTURE | INTERIOR DESIGN | TRUEXCELLINS.COM

Architect:

ARCHETYPE architects

48 Union Wharf Portland, Maine 04101  
(207) 772-6022 Fax (207) 772-4056

Project:

THE INN AT DIAMOND COVE, LLC

MCKINLEY COURT  
GREAT DIAMOND ISLAND, MAINE

Revisions:

Scale: AS NOTED

Date: 04 March 2013

WALL TYPES

A4.01