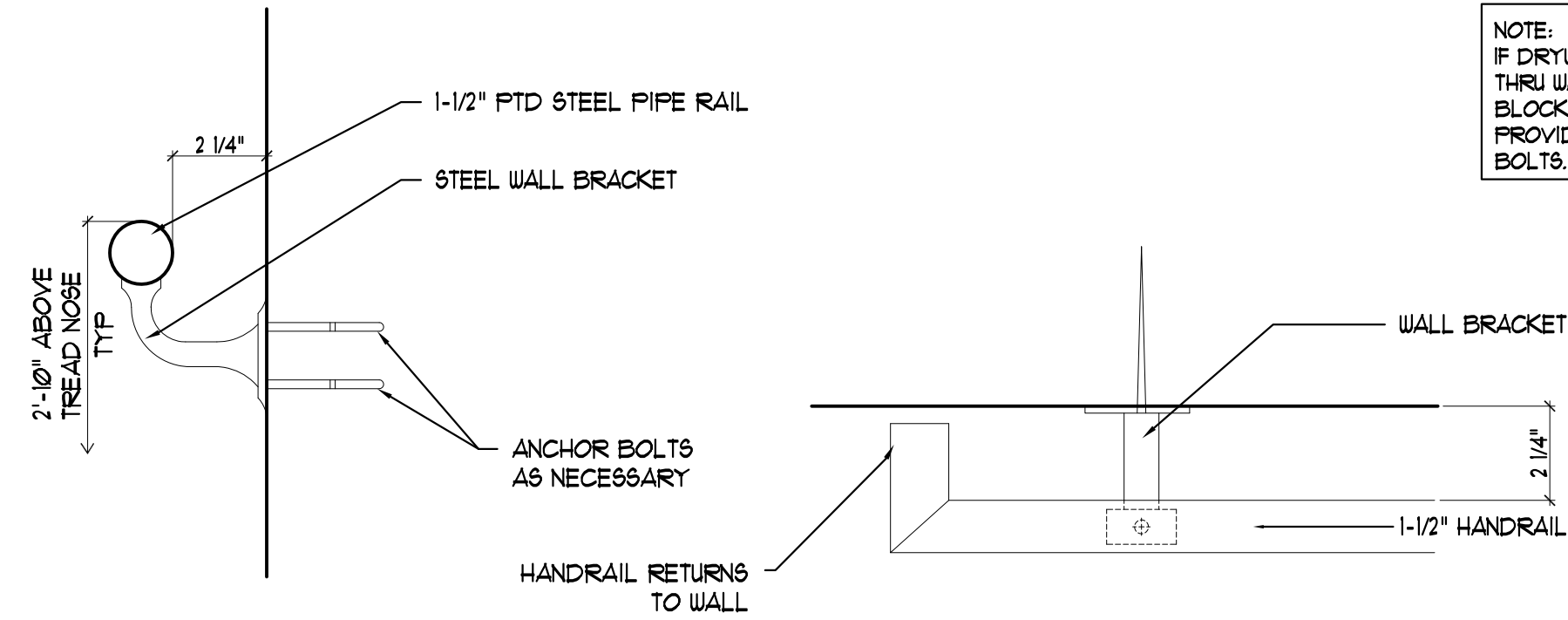
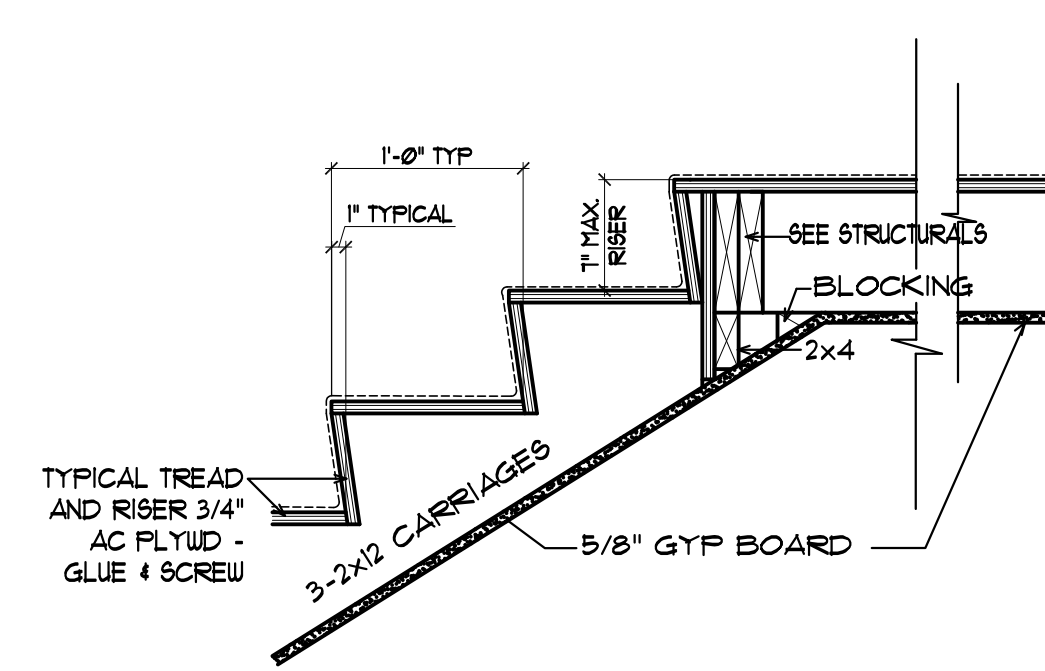


7 | STAIR HANDRAIL DETAIL  
SCALE: 3"=1'-0"

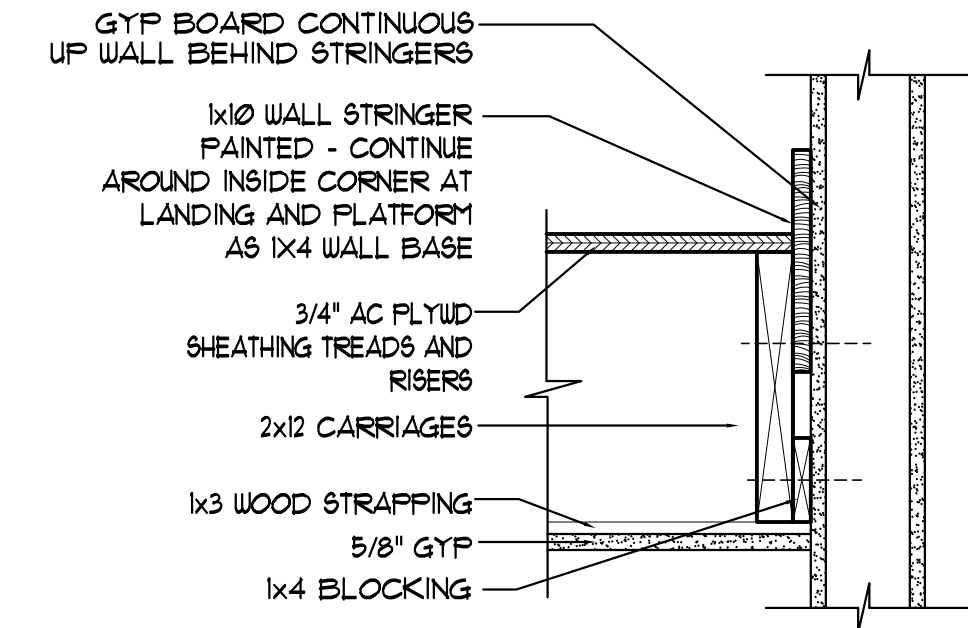


6 | STAIR HANDRAIL DETAIL  
SCALE: 3"=1'-0"

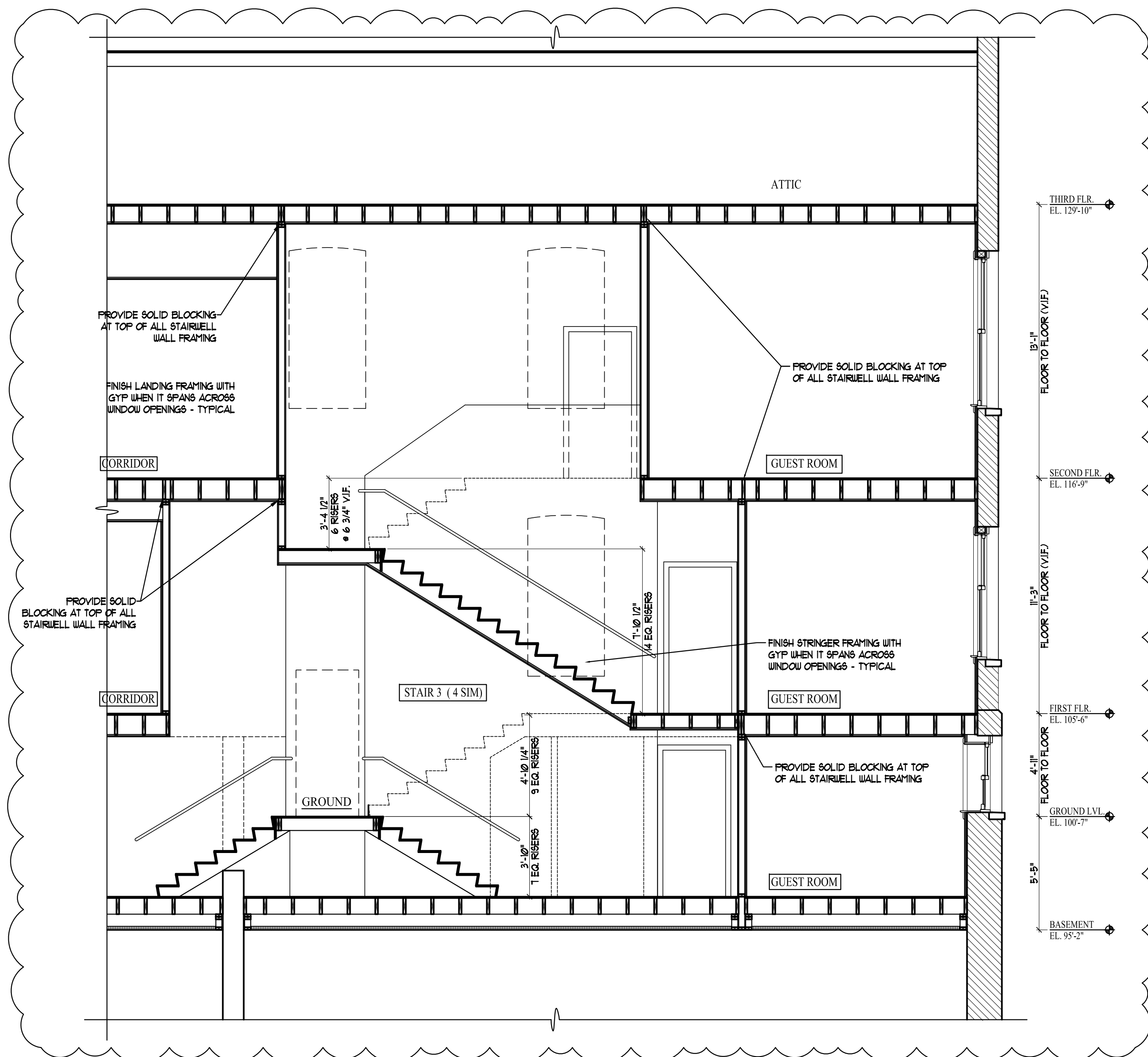
NOTE:  
IF DRYWALL MOUNTED PROVIDE  
THRU WALL, SOLID, FIRE RETARDANT  
BLOCKING. IF CMU/ CONG. MOUNTED  
PROVIDE TOGGLE OR ANCHOR  
BOLTS.



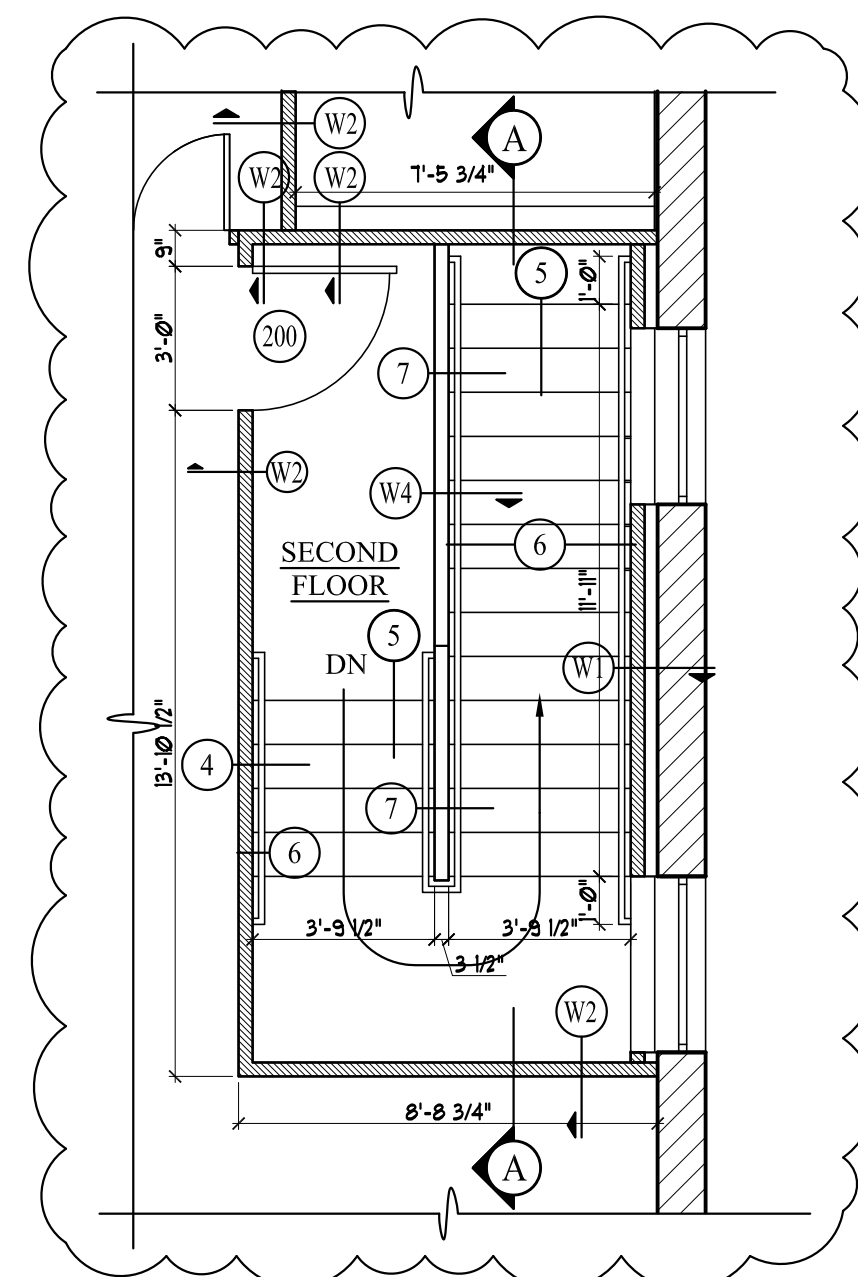
5 | STAIR TREAD/RISER DETAIL  
SCALE: 1"=1'-0"



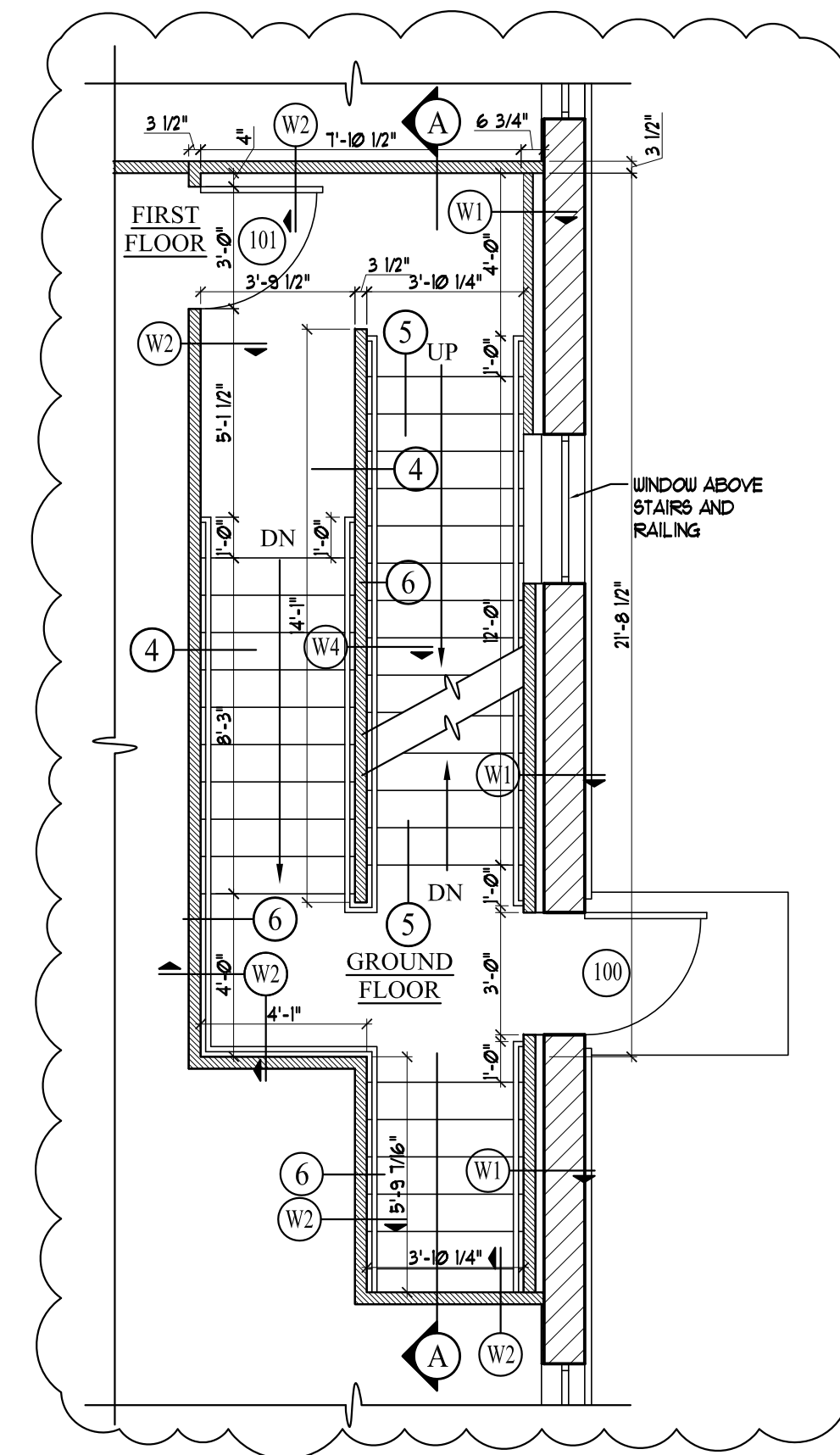
4 | STAIR STRINGER DETAIL  
SCALE: 1 1/2"=1'-0"



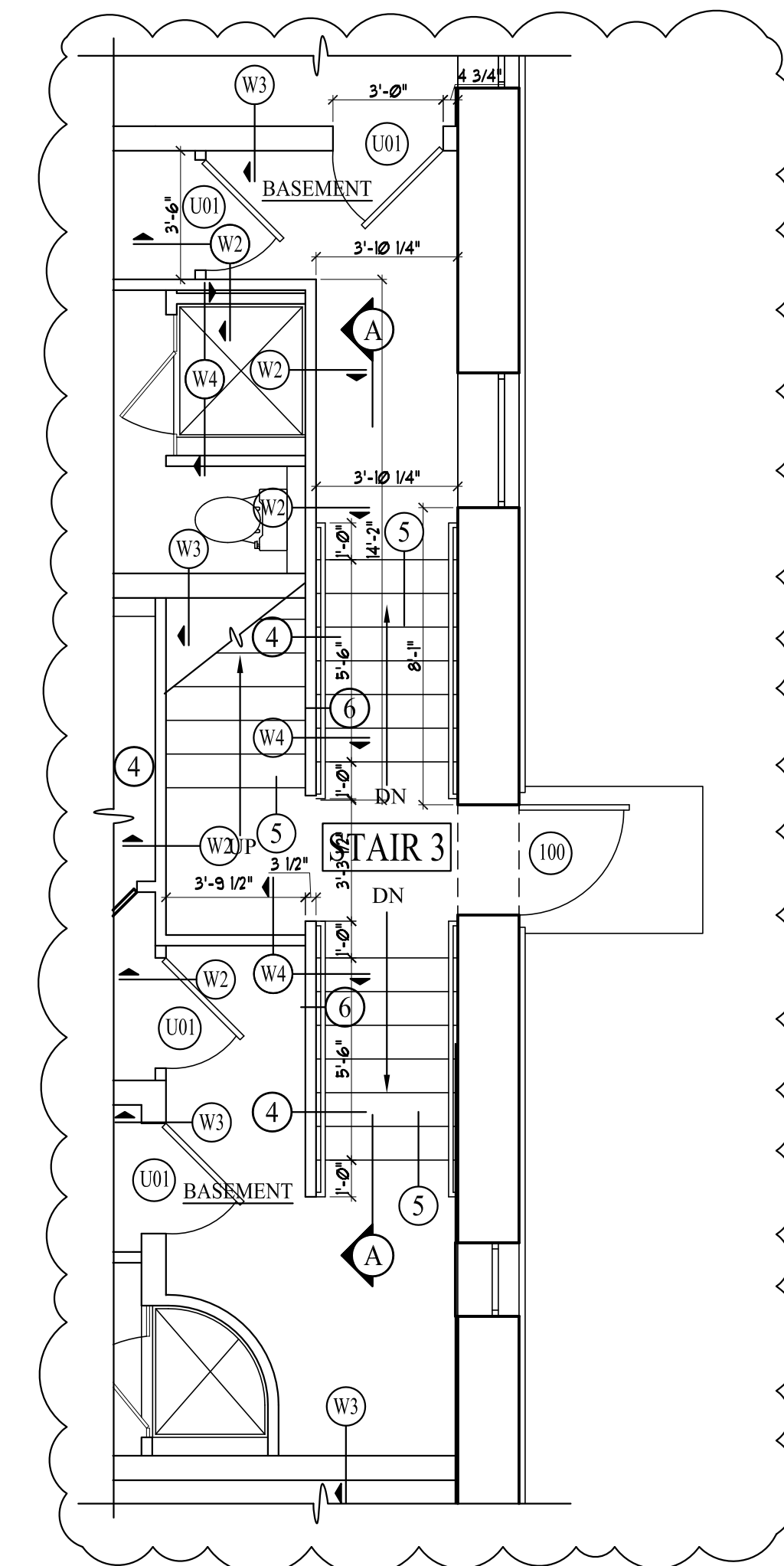
A | STAIR 3 SECTION (STAIR 4 MIRRORED)  
SCALE: 1/4"=1'-0"



3 | STAIR 3 SECOND FLOOR PLAN (STAIR 4 MIRRORED)  
SCALE: 1/4"=1'-0"



2 | STAIR 3 GROUND/FIRST FLOOR PLAN (STAIR 4 MIRRORED)  
SCALE: 1/4"=1'-0"



1 | STAIR 3 BASEMENT/GROUND PLAN (STAIR 4 MIRRORED)  
SCALE: 1/4"=1'-0"

Prepared For:  
**The Inn at Diamond  
Cove, LLC.**  
PO BOX 3572  
PORTLAND, ME 04101

Interior Designer:  
**truexculins**  
INTERIORS  
209 BATTERY STREET BURLINGTON, VERMONT 05401 USA  
Phone 802.656.2775 Fax 802.227.1076  
ARCHITECTURE | INTERIOR DESIGN | truexculins.com

Architect:  
**ARCHETYPE**  
architects  
48 Union Wharf Portland, Maine 04101  
(207) 772-6022 Fax (207) 772-4056

Project:  
**THE INN AT  
DIAMOND COVE,  
LLC**  
MCKINLEY COURT  
GREAT DIAMOND ISLAND, MAINE

Revisions:

Date: 04 March 2013  
Scale: AS NOTED  
**STAIR SECTION,  
PLANS, AND DETAILS**

**A3.21**