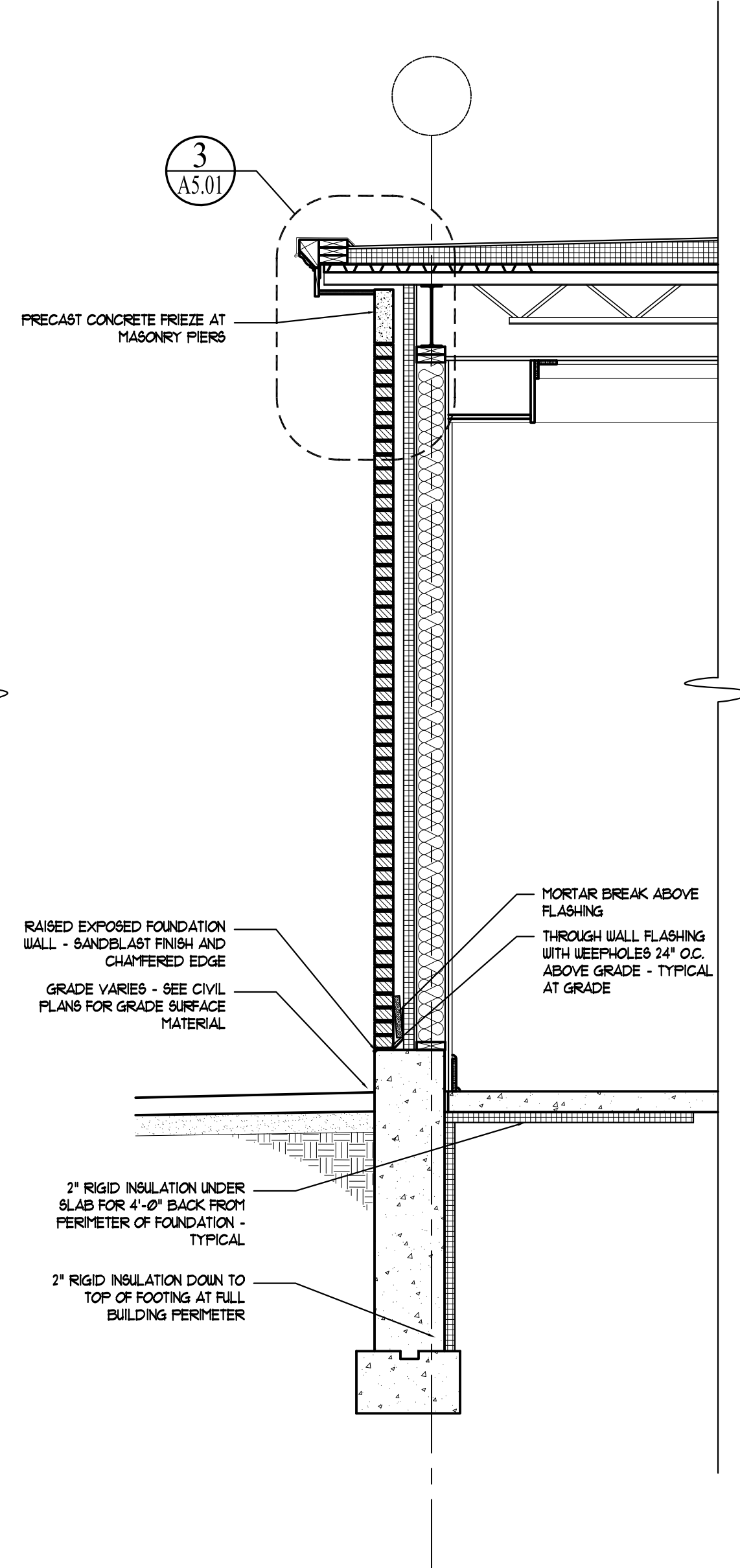
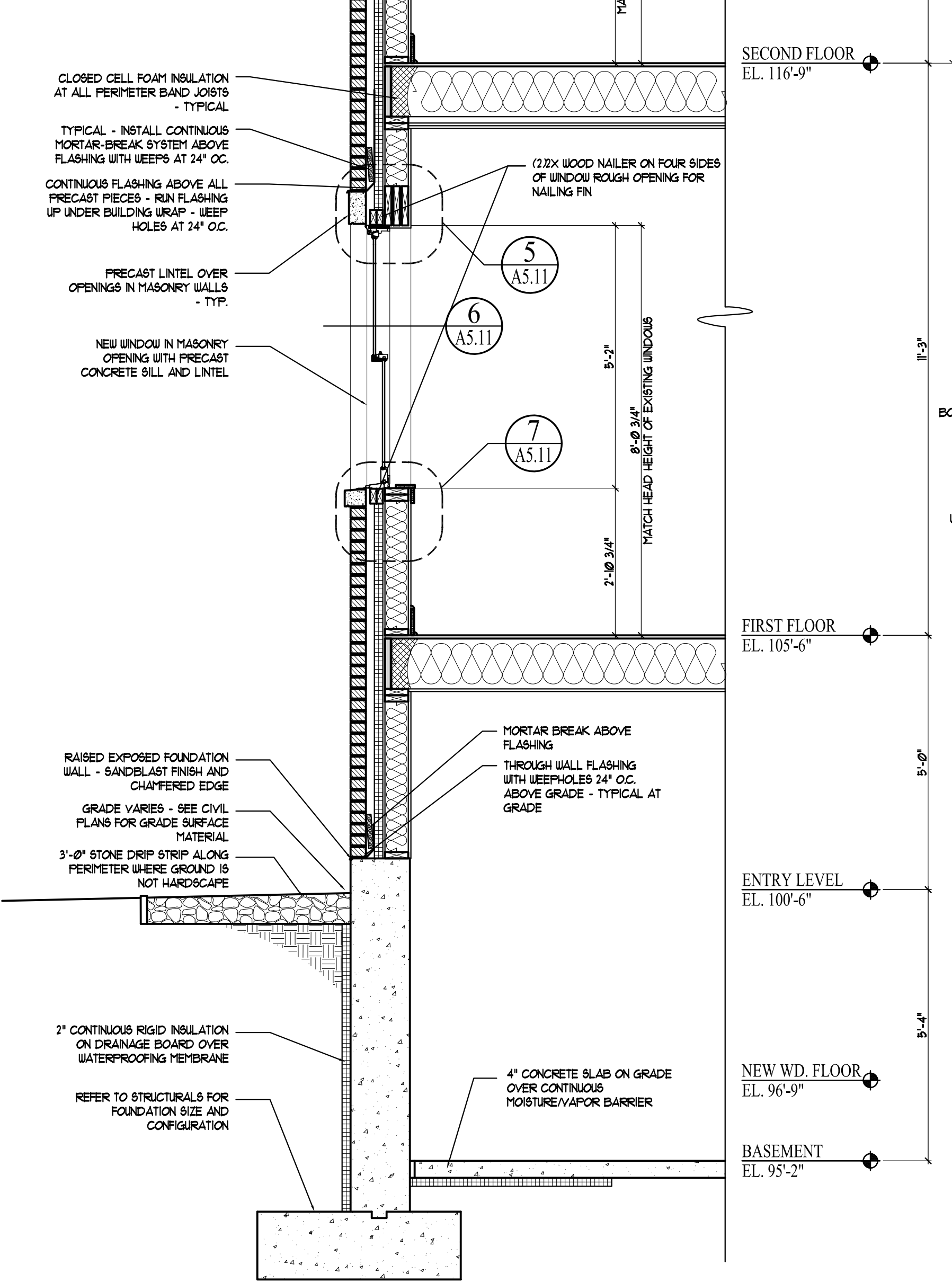


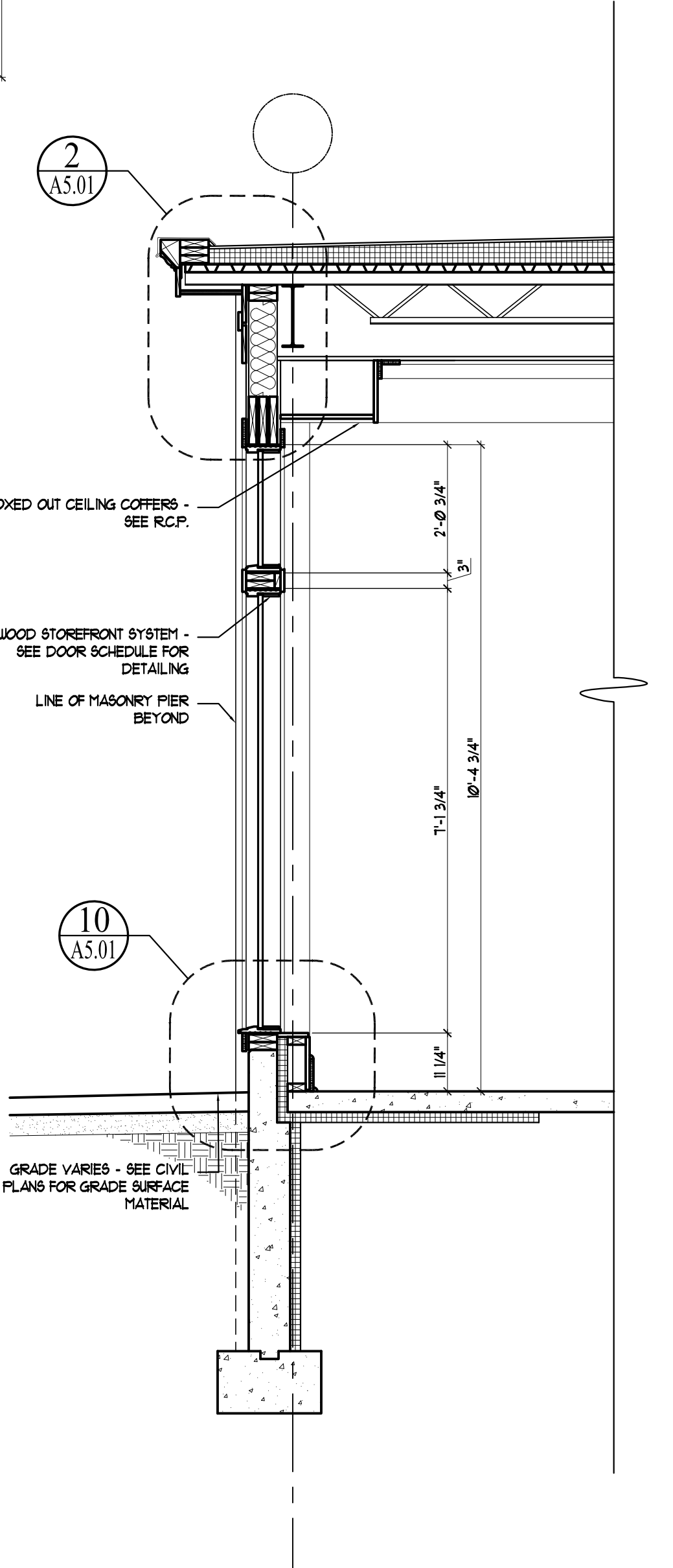
4 | WALL SECTION - ADDITION - ENTRY CANOPY
SCALE: 1/2"=1'-0"



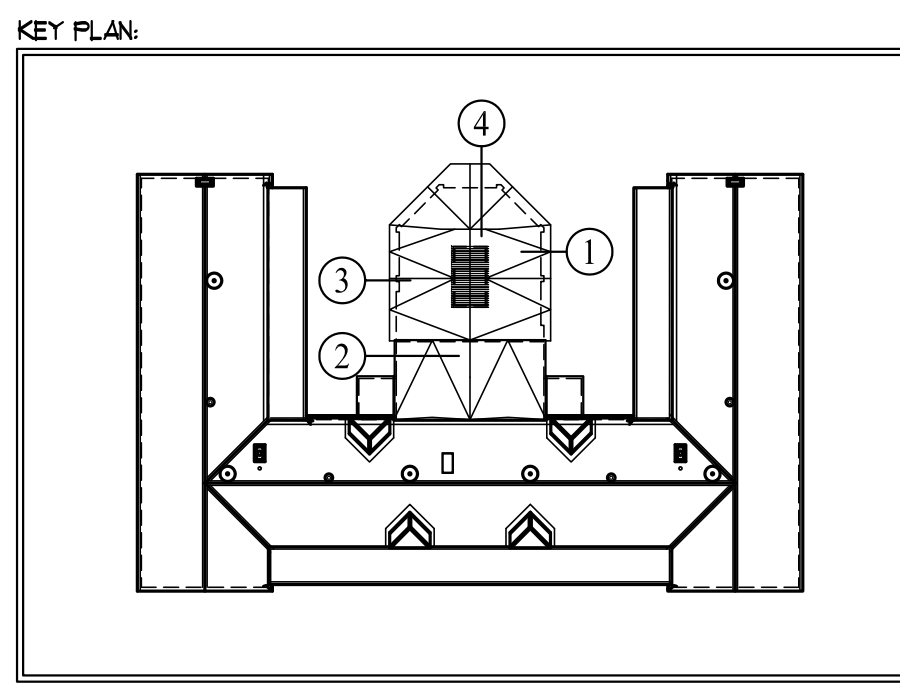
3 | TYPICAL WALL SECTION - ADDITION - BRICK PIER
SCALE: 1/2"=1'-0"



2 | TYPICAL WALL SECTION - ADDITION
SCALE: 1/2"=1'-0"



1 | WALL SECTION - ADDITION - WOOD STOREFRONT
SCALE: 1/2"=1'-0"



Prepared For: **The Inn at Diamond Cove, LLC.**
 PO BOX 3572
 PORTLAND, ME 04101

Interior Designer: **truexculins INTERIORS**
 209 BATTERY STREET BURLINGTON, VERMONT 05401 USA
 Phone 802.656.2775 Fax 802.227.1076
 ARCHITECTURE | INTERIOR DESIGN | truexculins.com

Architect: **ARCHITECTURE ARCHITECTS**
 48 Union Wharf Portland, Maine 04101
 (207) 772-6022 Fax (207) 772-4056

Project: **THE INN AT DIAMOND COVE, LLC**
 MCKINLEY COURT
 GREAT DIAMOND ISLAND, MAINE

Revisions:

Date: 04 March 2013
 Scale: 1/2" = 1'-0"

WALL SECTIONS

A3.10