

These drawings convey design intent only and should not be relied upon for building or construction. See cover sheet for legal disclaimer and additional info. The drawings are to be used only as intended without written permission from Fine Lines Construction, Inc.
 ©COPYRIGHT 2013 FINE LINES CONSTRUCTION, INC.

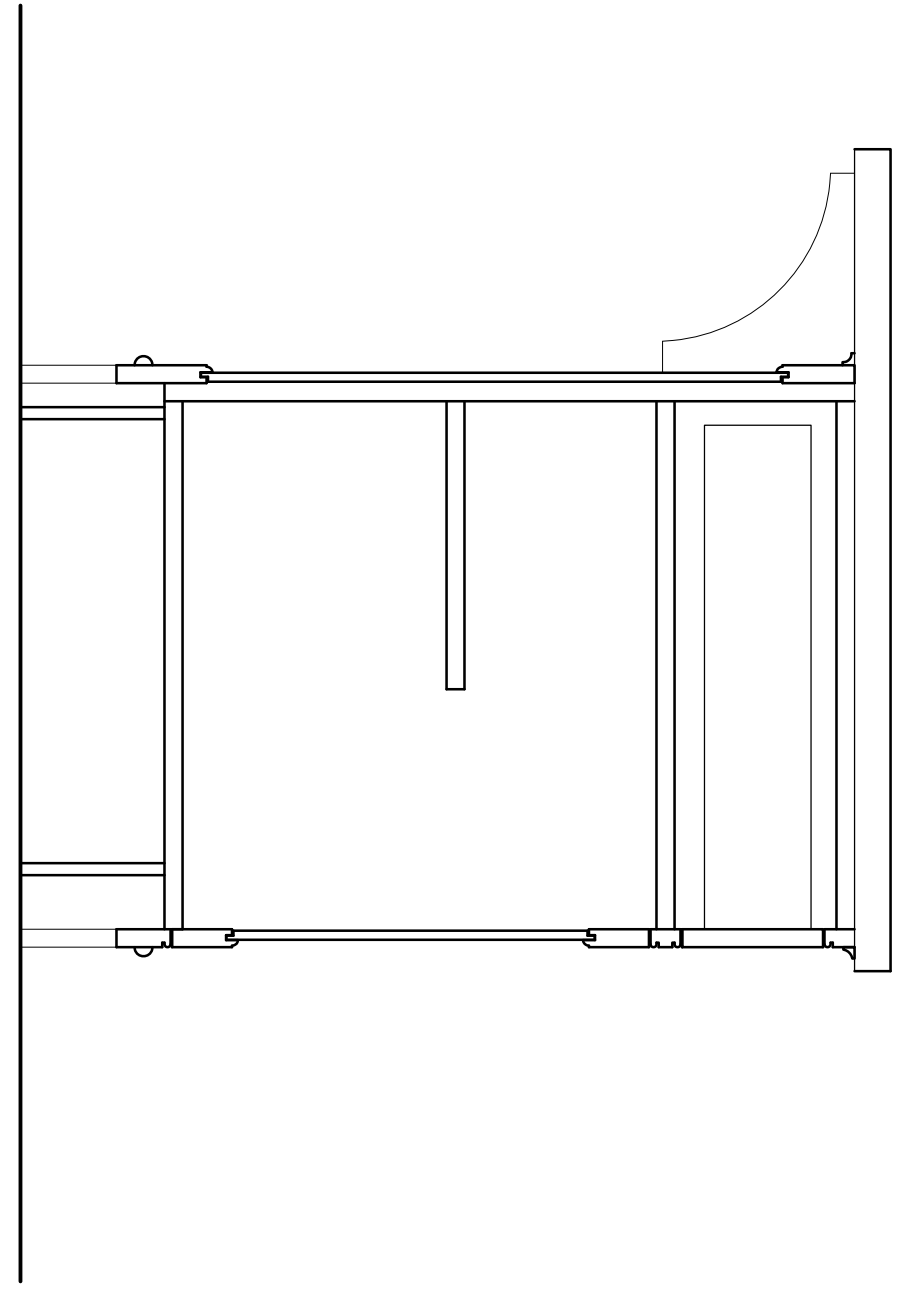
Renovations to the COOPER RESIDENCE

44 McKinley Court - Diamond Cove,
 Great Diamond Island, ME 04109

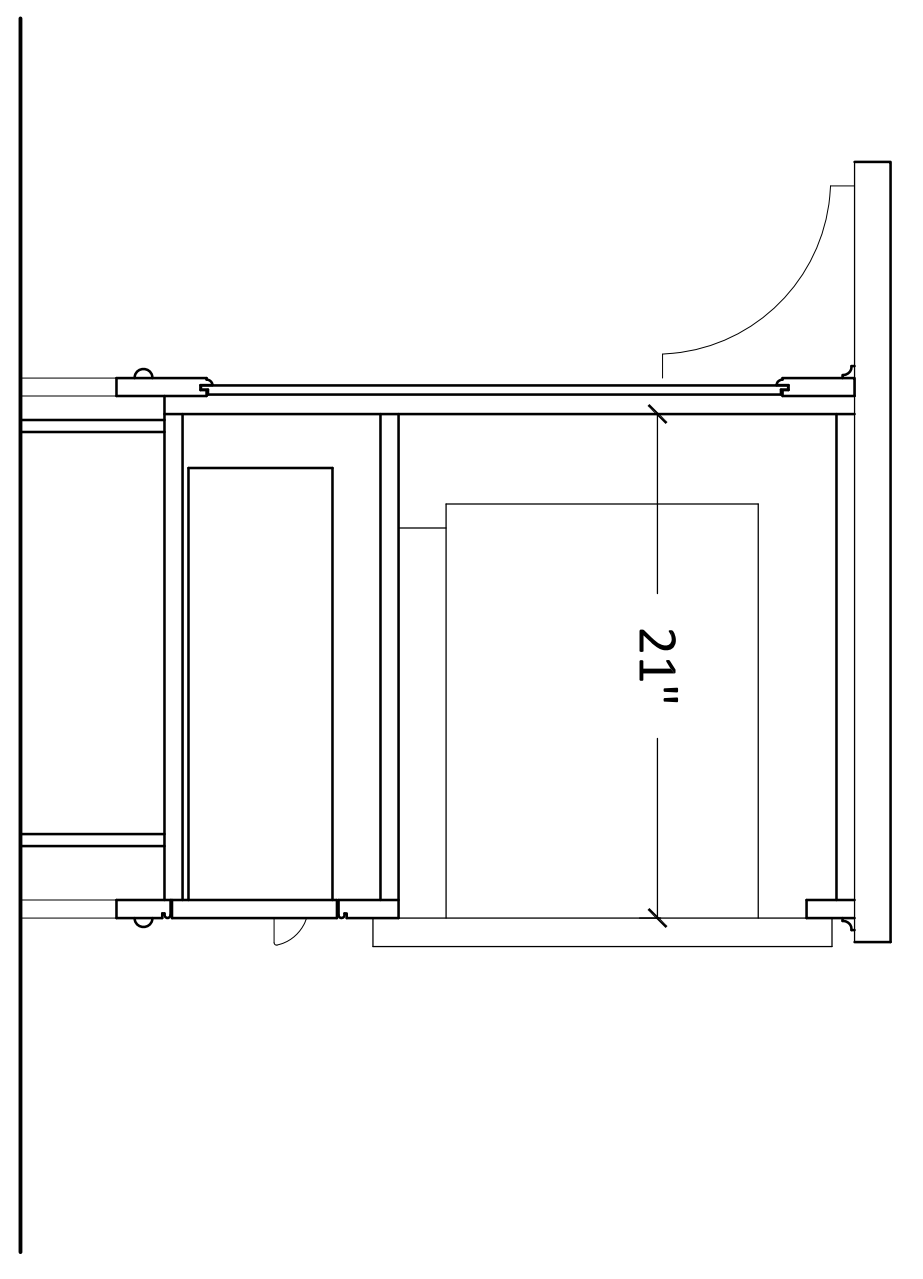
KITCHEN ELEVATIONS AND SECTIONS

Sheet Title:
KITCHEN ELEVATIONS AND SECTIONS

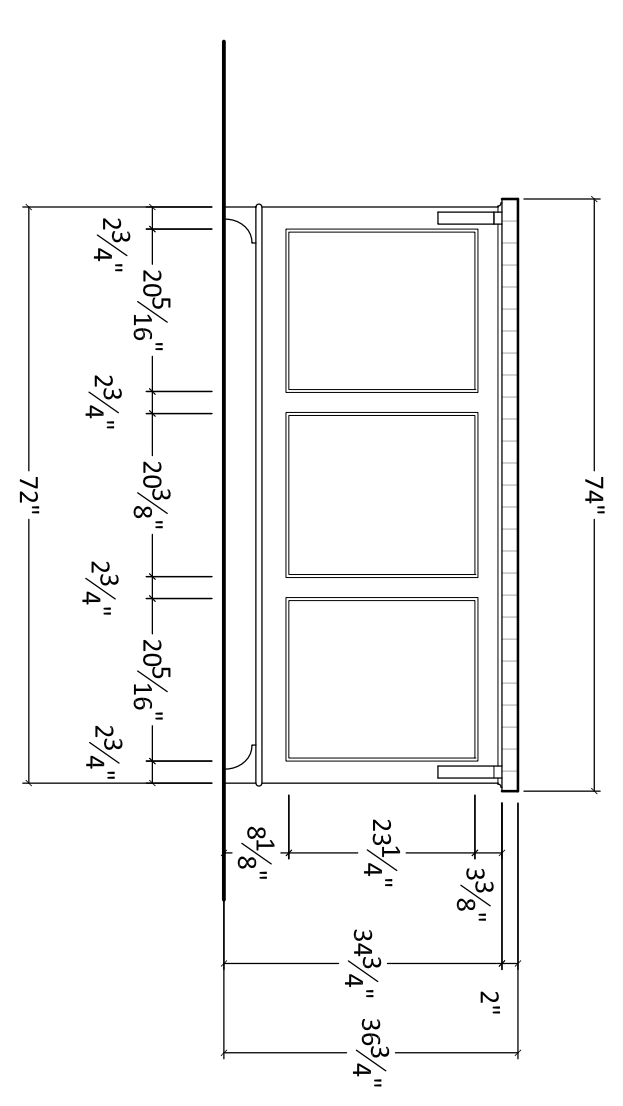
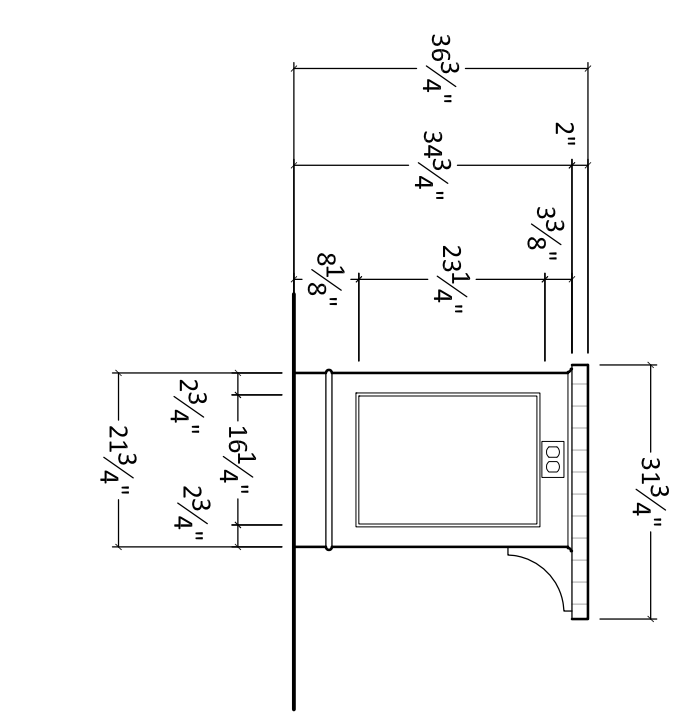
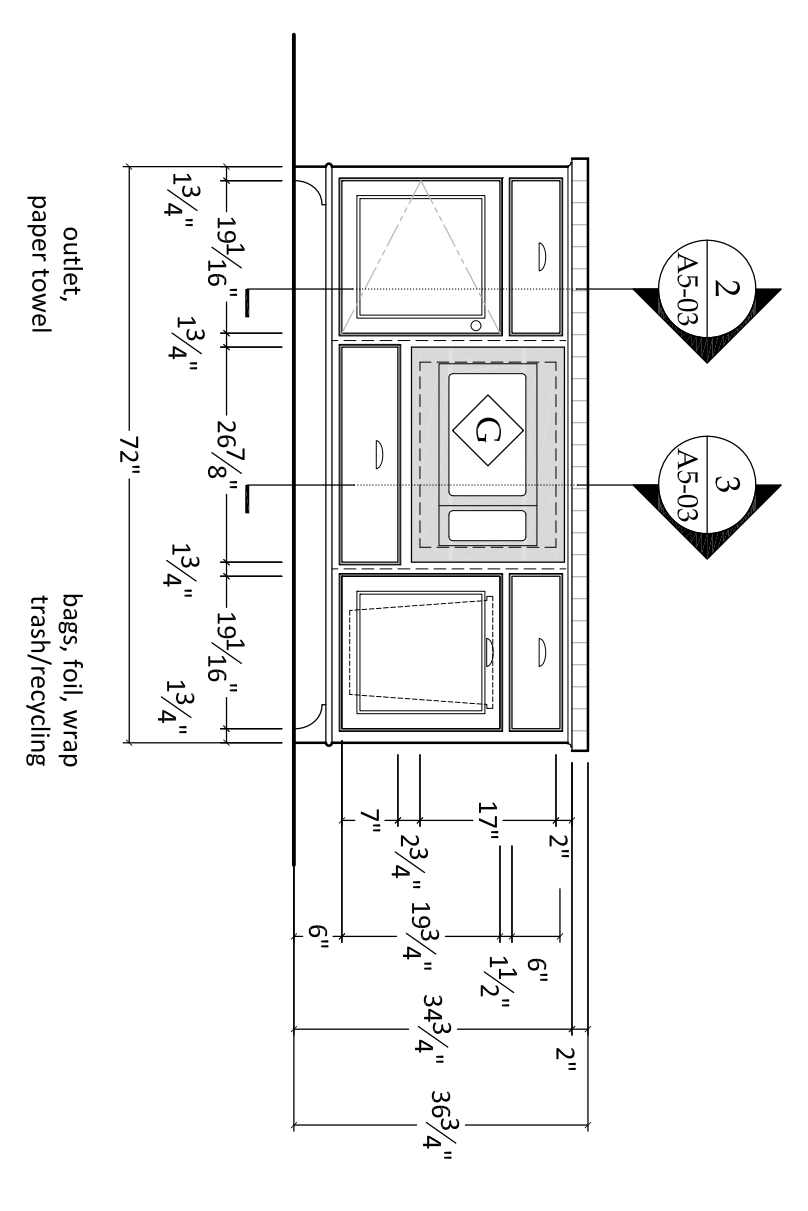
Issue Status:
PERMIT SET
JULY 30, 2013



2 ISLAND - SECTION AT RANGE HOOD
 1/2" = 1'-0"



3 ISLAND - SECTION AT MICROWAVE
 1/2" = 1'-0"



1 KITCHEN - ISLAND
 1/2" = 1'-0"

