


Structural Framers's Pocket Guide
 Access with your Smartphone
<http://www.level.com/literature/fj-9001.pdf>

 Weyerhaeuser

THINK SAFETY. READ INSTALLATION INFORMATION BEFORE PROCEEDING.
 A COMPLETE JAVELIN™ LAYOUT INCLUDES THE ILEVEL™ FRAMER'S POCKET GUIDE.

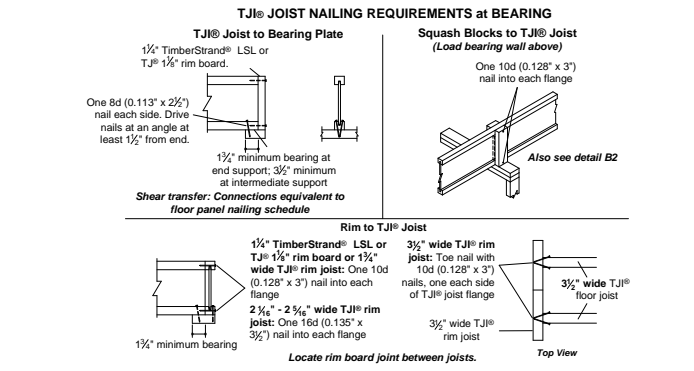
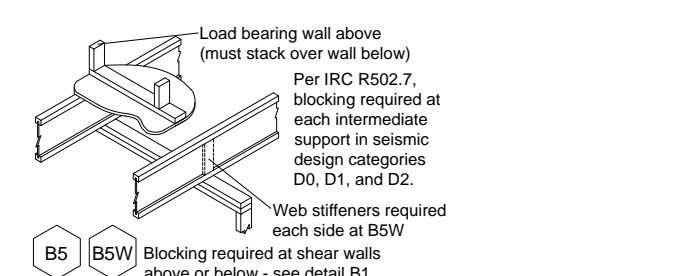
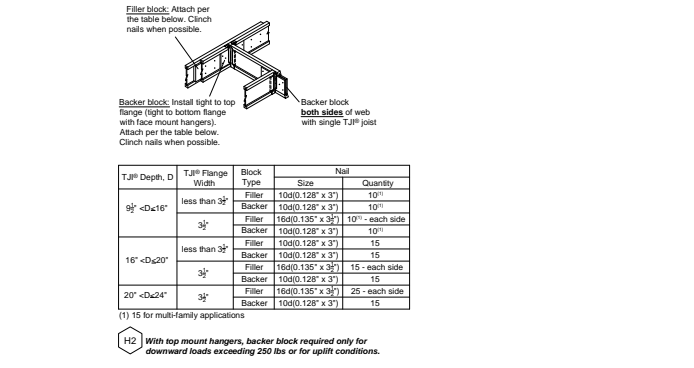
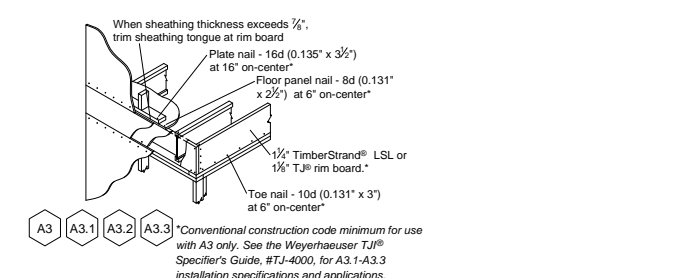
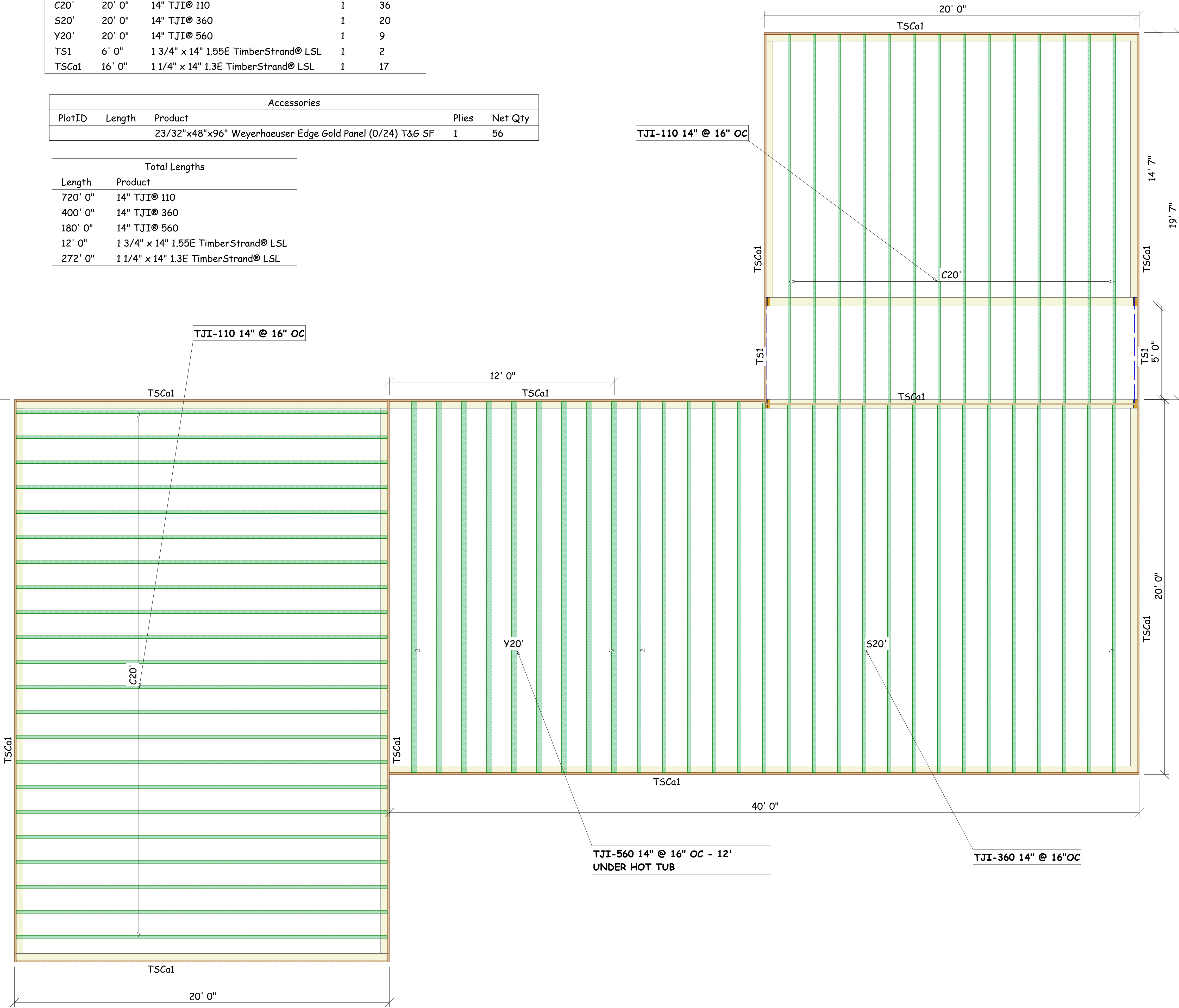
iLevel® Green Estimator	
Contribution to National Green Bldg Std:	36
Contribution to LEED® for Homes:	1
<small>The points identified above indicate the potential number of green building points allowed by the ICC-700 2008 National Green Building Standard or the U.S. Green Building Council's LEED® for Homes based on the iLevel® structural frame solutions represented on this project. You are advised to confirm point calculations with the appropriate authorized organization. Contact Level Technical Services for recommendations on achieving additional green points.</small>	



Products				
PlotID	Length	Product	Plies	Net Qty
C20'	20' 0"	14" TJI® 110	1	36
S20'	20' 0"	14" TJI® 360	1	20
Y20'	20' 0"	14" TJI® 560	1	9
TS1	6' 0"	1 3/4" x 14" 1.55E TimberStrand® LSL	1	2
TSCa1	16' 0"	1 1/4" x 14" 1.3E TimberStrand® LSL	1	17

Accessories				
PlotID	Length	Product	Plies	Net Qty
		23/32"x48"x96" Weyerhaeuser Edge Gold Panel (0/24) T&G SF	1	56

Total Lengths	
Length	Product
720' 0"	14" TJI® 110
400' 0"	14" TJI® 360
180' 0"	14" TJI® 560
12' 0"	1 3/4" x 14" 1.55E TimberStrand® LSL
272' 0"	1 1/4" x 14" 1.3E TimberStrand® LSL



WARNING
 Joists are unstable until braced laterally.

- Bracing includes:**
- Blocking
 - Sheathing
 - Stud Lines
 - Hangers
 - Rim Board
 - Top Jack
- DO NOT** walk on joists until braced. **INJURY MAY RESULT.**
- DO NOT** walk on joists that are lying flat.
- DO NOT** stack building materials on unsheathed joists. Stack only over beams or walls.

WARNING NOTES:

- Lack of proper bracing during construction can result in serious accidents. Observe the following guidelines:
1. All blocking, hangers, rim boards and rim joists at the end supports of the TJI joists must be completely installed and properly nailed.
 2. Lumber strength, the braced end wall or an existing deck, must be established at the ends of the joist. This can also be accomplished by a temporary or permanent deck (sheathing) fastened to the first 4 feet of joist at the end of the bay.
 3. Safety bracing of hot (concrete) must be used to a braced wall or sheathed area (see note C) and for each joist. Without this bracing, backing sideways or rollover is highly probable under light construction loads - such as a worker or one of completed sheathing.
 4. Sheathing must be completely attached to each TJI joist before additional loads can be placed on the system.
 5. Ends of cantilevers require safety bracing on both the top and bottom flanges.
 6. The flanges must remain straight within 1/2" from true alignment.
- ▲ Weyerhaeuser, iLevel, MicroLam, Parallelam, Glens Floors, TimberStrand®, T-Joi, T-Joi and Trus Joists are registered trademarks of Weyerhaeuser NR. © 2012 Weyerhaeuser NR Company. All rights reserved.

CONTRACTOR TO VERIFY ALL FRAMING AREAS, DIMENSIONS, OPENINGS, LOADING CONDITIONS, ETC. WITH ARCHITECT/ENGINEER PRIOR TO CONSTRUCTION TO ENSURE COMPLIANCE WITH ARCHITECTURAL DRAWINGS.

BlueInx Corporation
 419 Maple Street
 Bellingham, MA 02019
 Phone: (508) 966-5546
 Fax: (508) 966-5553
 Plans may also be e-mailed to: BluePlans@blueinxco.com

SECOND FLOOR LAYOUT
 60DUTI \ PENNINGTON
 GREAT DIAMOND ISLAND, MAINE
 DRAWN BY: Guy Peisson
 DATE: 3/3/2017
 SCALE: 3/8" = 1'-0"

REV	BY	DATE	DESCRIPTION
A			
B			
C			
D			
E			

BlueInx now offers Precision End Trim Pre-Cut Blocking panels for on center spacings of 12", 16" and 24". All panels are undercut by 7/8" for ease of installation. Speak with your sales representative or design team for more information on these and other great products specified on this plan.

PROJECT NUMBER:
 SHEET
1 OF 1