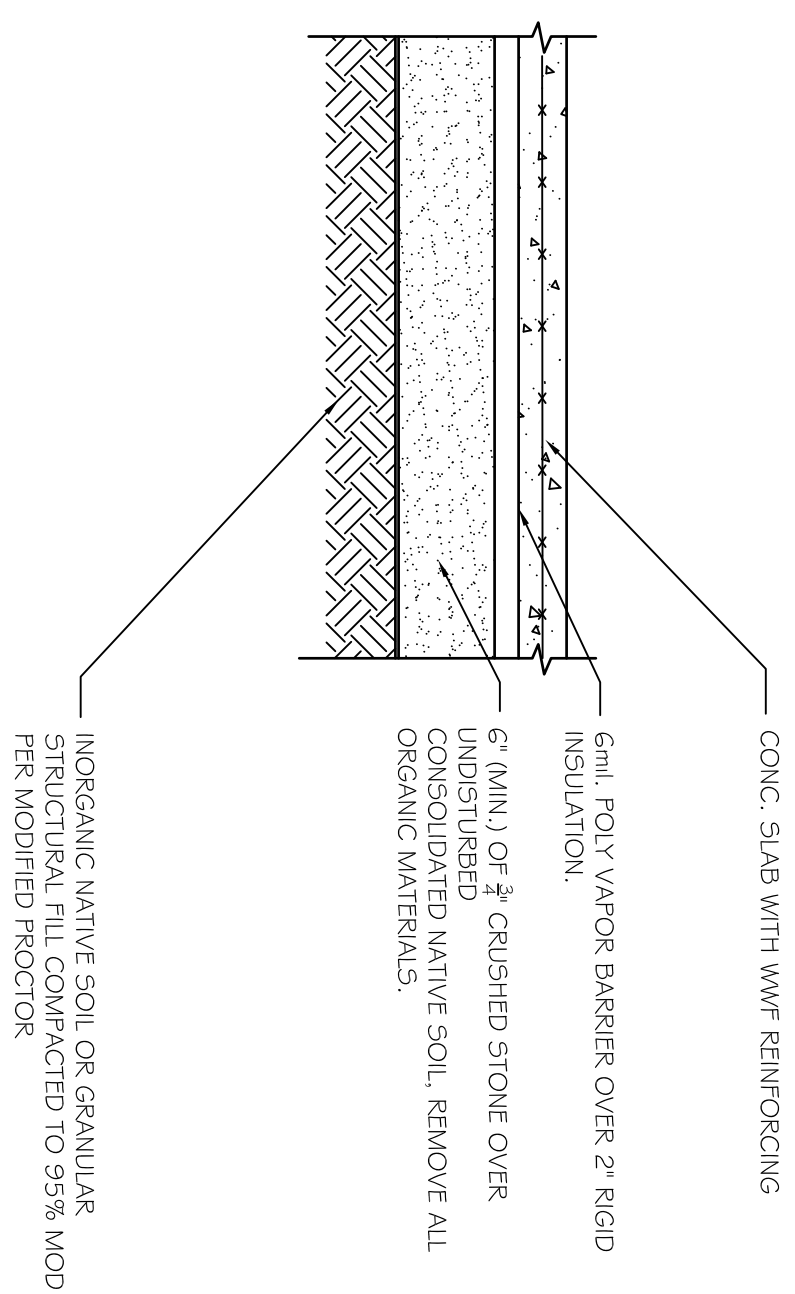
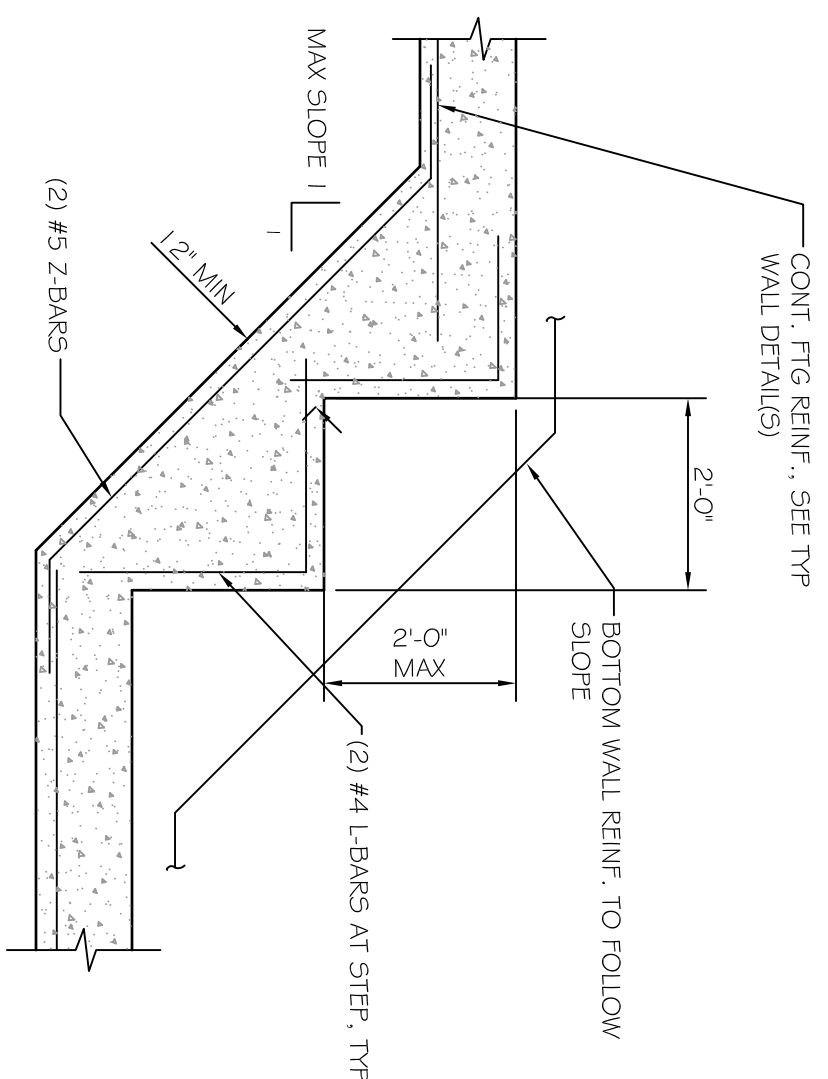


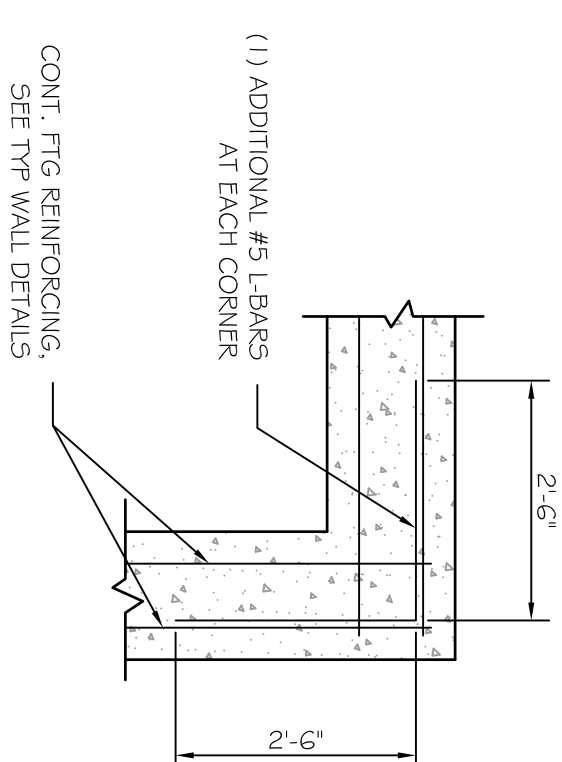
C4 TYP. SLAB CONTROL JOINT SECTION
SCALE: 3/4" = 1'-0"



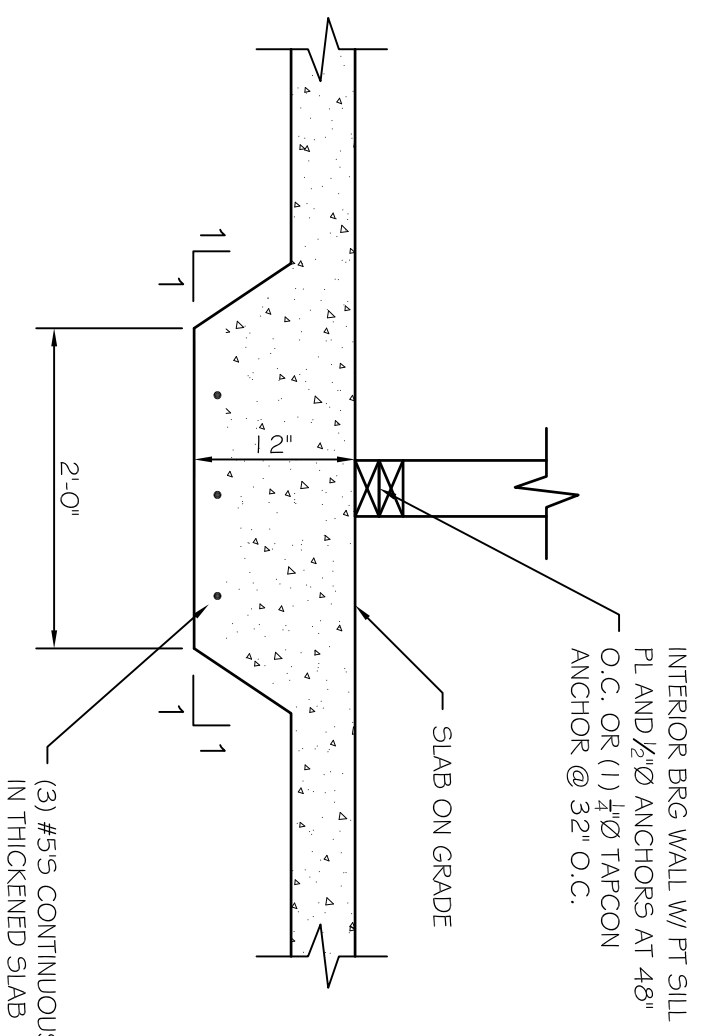
C3 TYP. SLAB SECTION
SCALE: 3/4" = 1'-0"



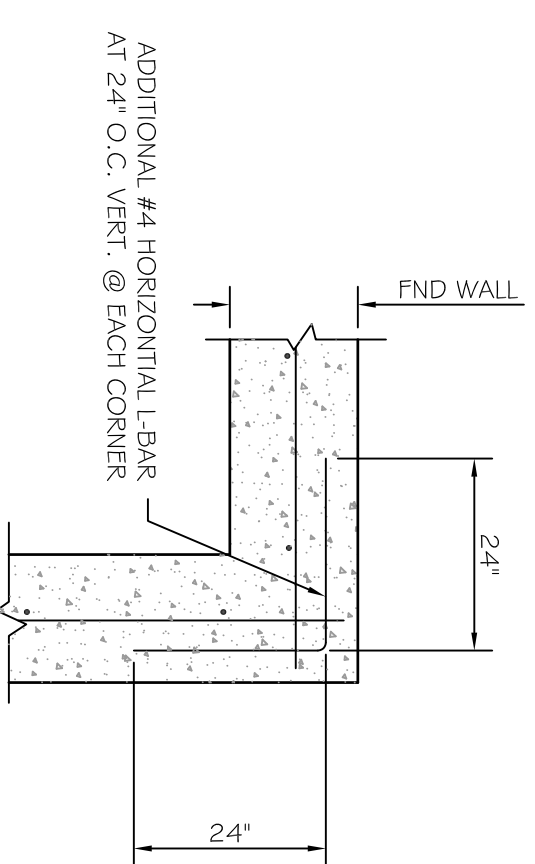
C2 STEPPED FOOTING DETAIL
SCALE: 1/2" = 1'-0"



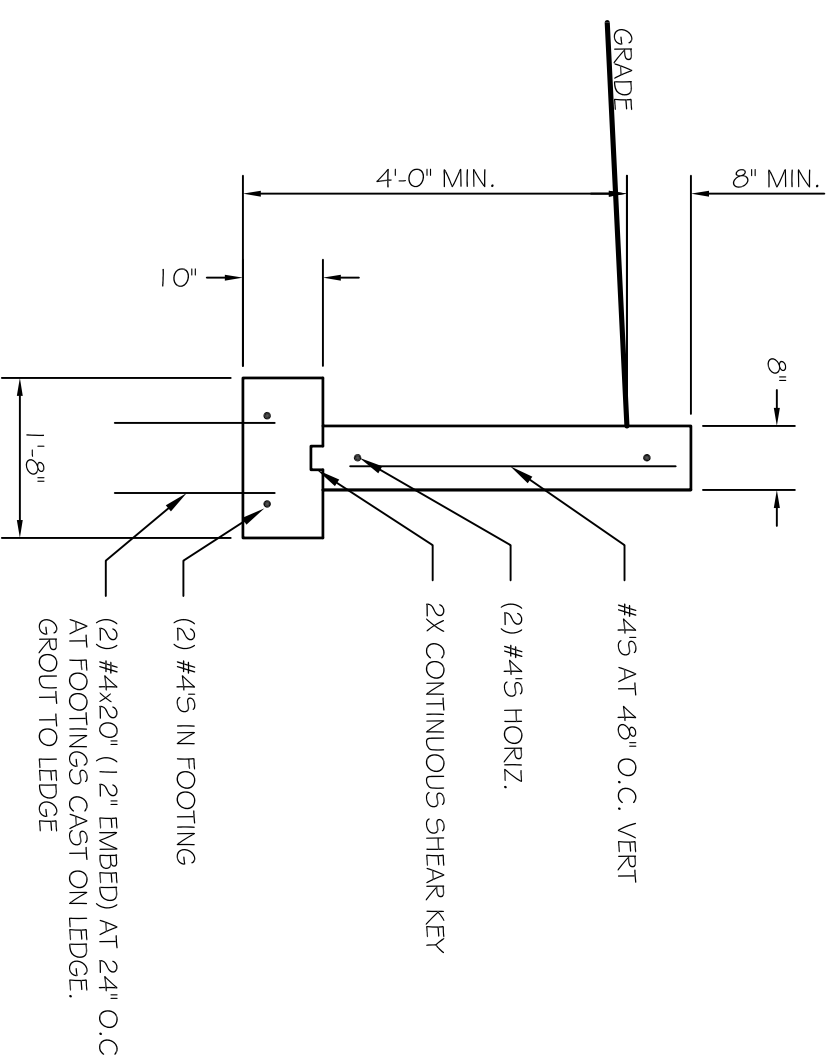
C1 CORNER REINFORCING IN FOOTING
SCALE: 1/2" = 1'-0"



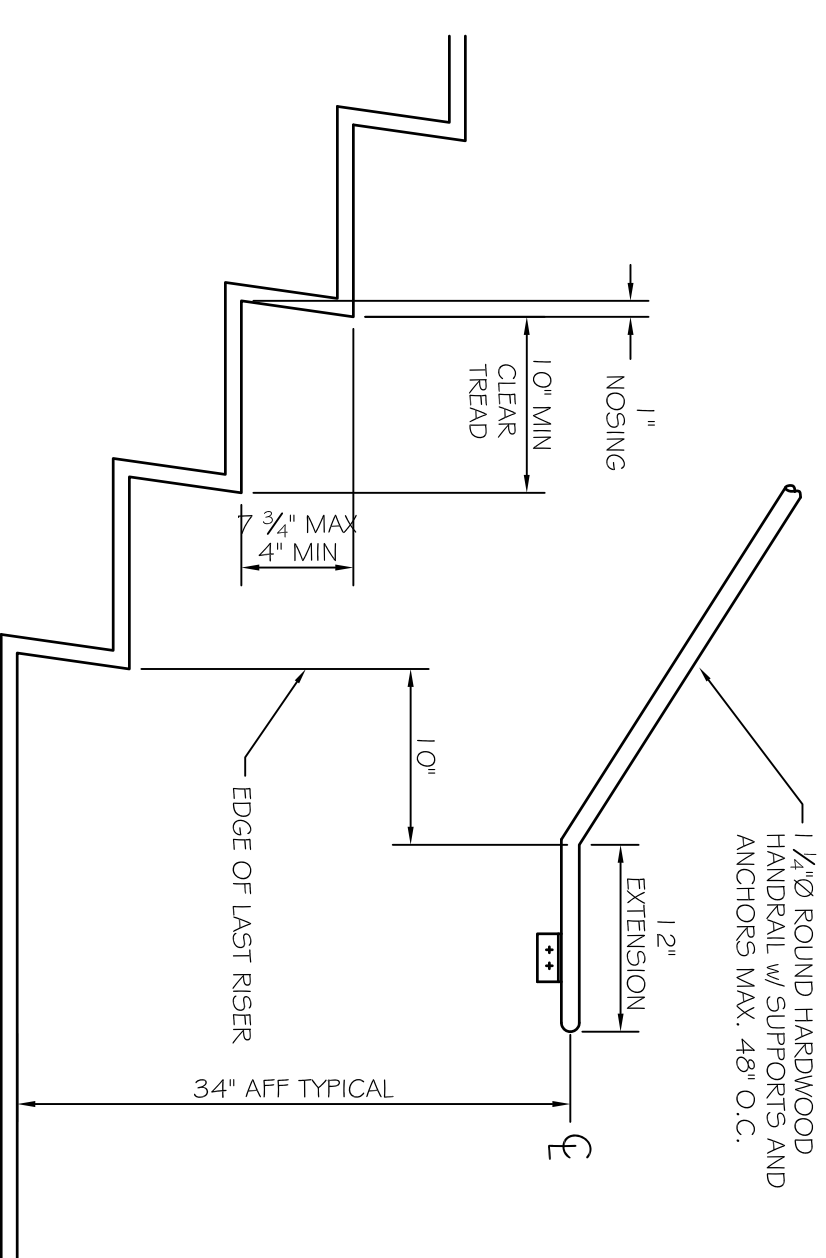
B4 SPREAD FOOTING DETAIL
SCALE: 1/2" = 1'-0"



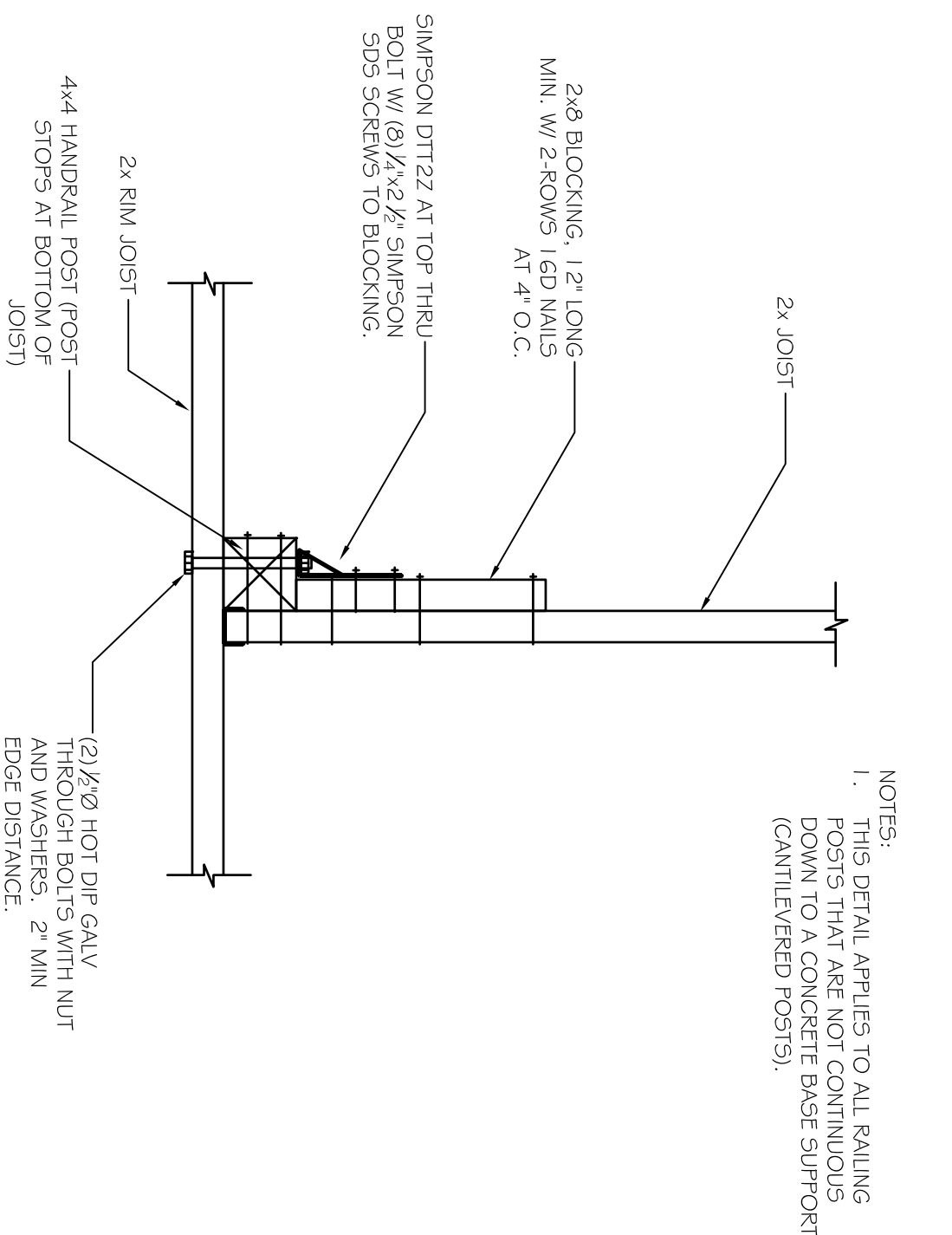
B3 CORNER REINFORCING IN FOUNDATION WALL
SCALE: 1/2" = 1'-0"



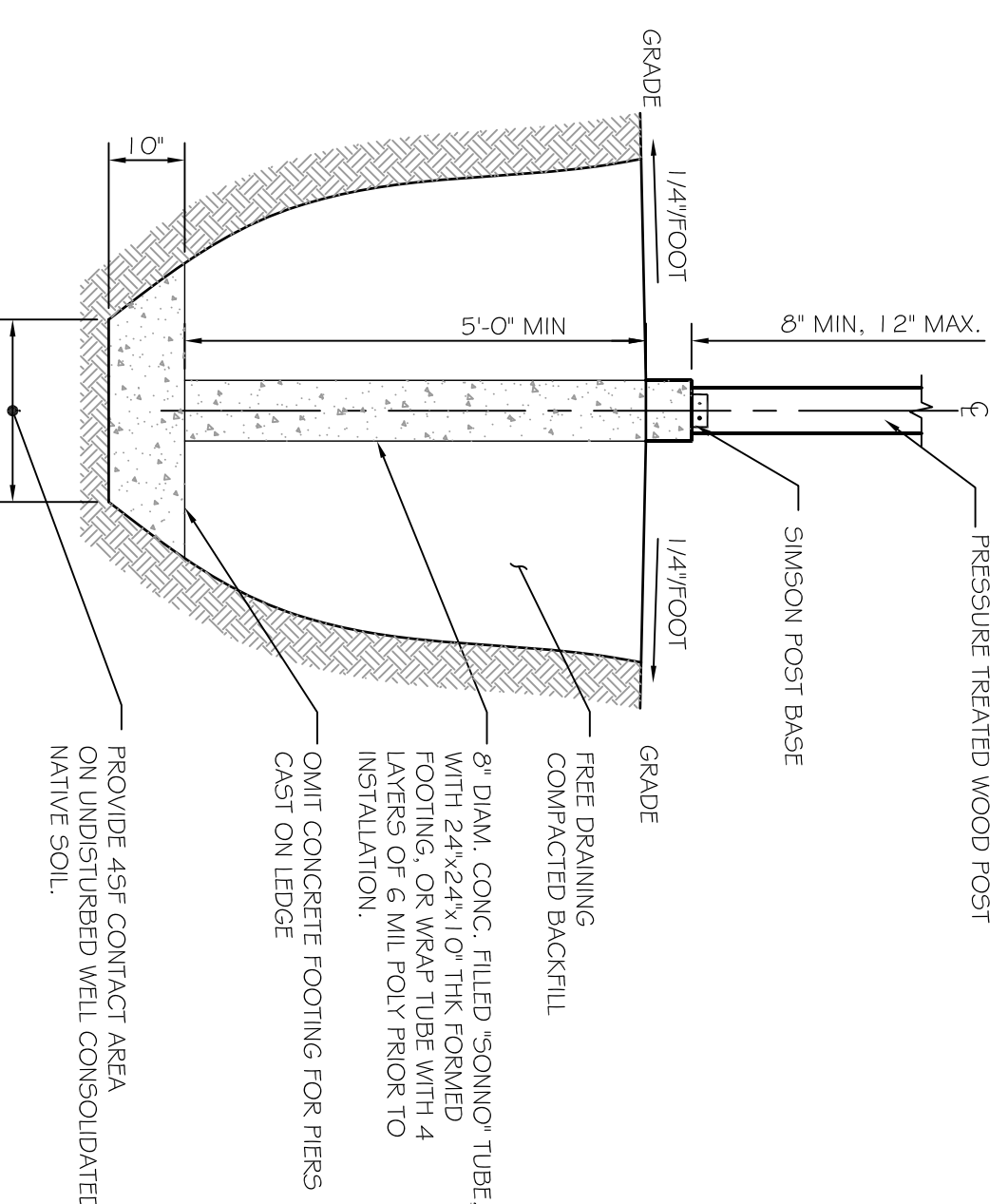
B2 TYP. FROST WALL REINFORCEMENT
SCALE: 1/2" = 1'-0"



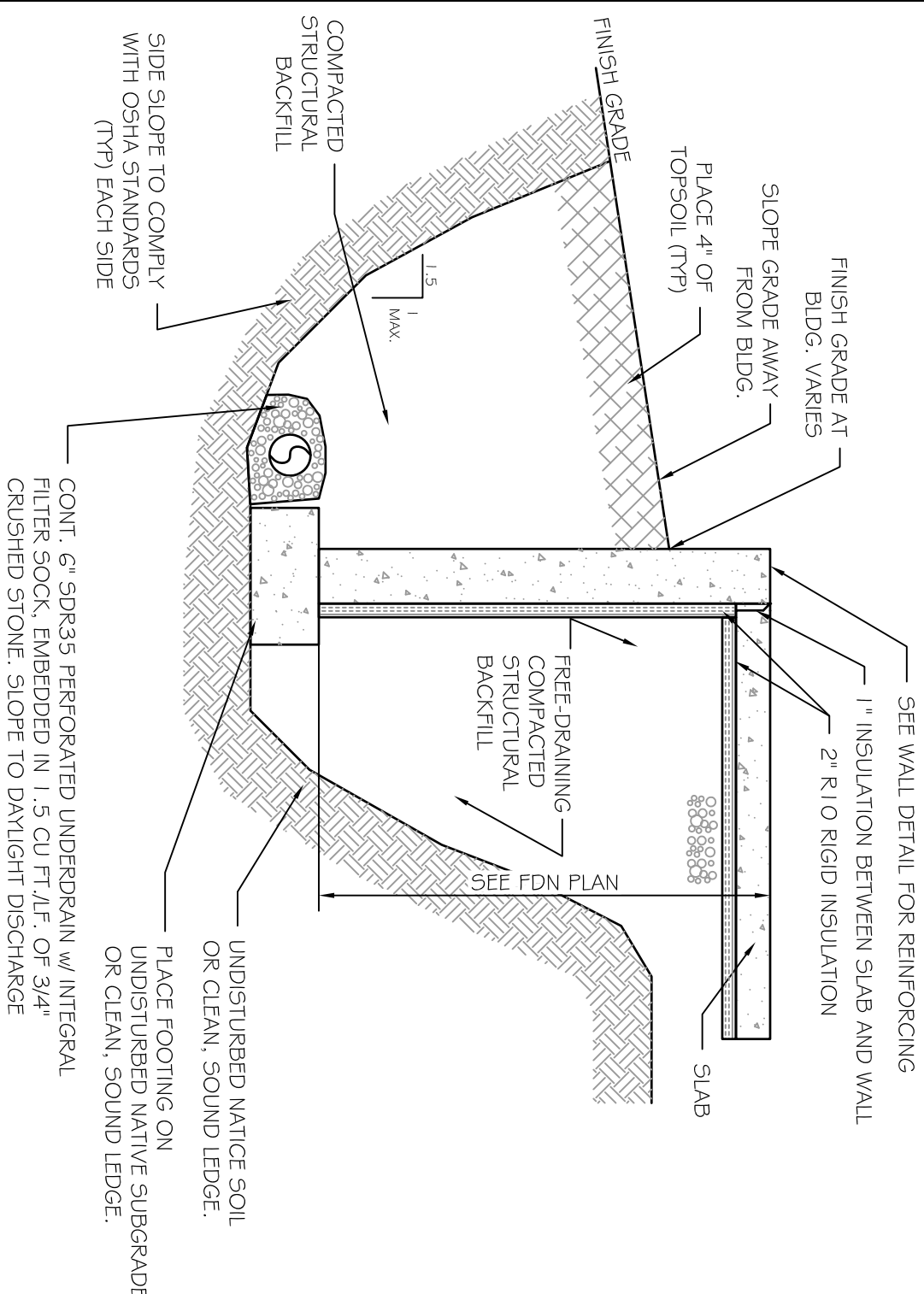
B1 STAIR/HANDRAIL DETAIL
SCALE: NTS



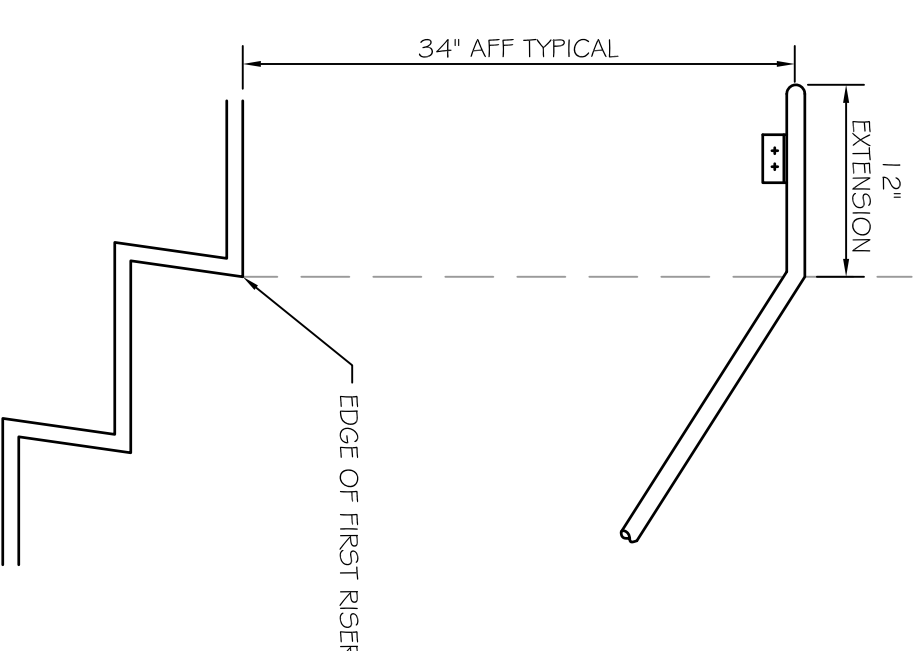
A4 RAILING POST CONNECTION
SCALE: 1" = 1'-0"



A3 TYP. CONC. PIER EARTHWORK
SCALE: 1/2" = 1'-0"



A2 TYPICAL FOUNDATION EARTHWORK
SCALE: 1/2" = 1'-0"



A1 STAIR/HANDRAIL DETAIL
SCALE: 1" = 1'-0"

| REVISIONS | | |
|-----------|----|-------------|
| NO. | BY | DESCRIPTION |
| | | |
| | | |
| | | |
| | | |
| | | |
| | | |
| | | |
| | | |
| | | |

PROJECT: **PENNINGTON RESIDENCE
GREAT DIAMOND ISLAND, ME.**
FOR:
SHEET TITLE: **FOUNDATION DETAILS
ISSUED FOR PERMITTING**

THIS DRAWING, SPECIFY AND ELECTRONIC FILE ARE THE PROPERTY OF ASSOCIATED DESIGN PARTNERS, INC. NO PART OF THIS DRAWING OR OTHER USE OF THIS DOCUMENT WITHOUT WRITTEN CONSENT IS PERMITTED.

ASSOCIATED DESIGN PARTNERS INC.
80 Leighton Road
Falmouth, Maine 04105
Office: (207) 878-1751
Fax: (207) 878-1788
E-Mail: adp@adpengineering.com

DATE: 5-18-17
SCALE: AS NOTED
DESIGN BY: ASW
DRAWN BY: RSC
FILE #: 17102-S1.dwg
PROJECT NUMBER:
17102
SHEET NO.:
S4