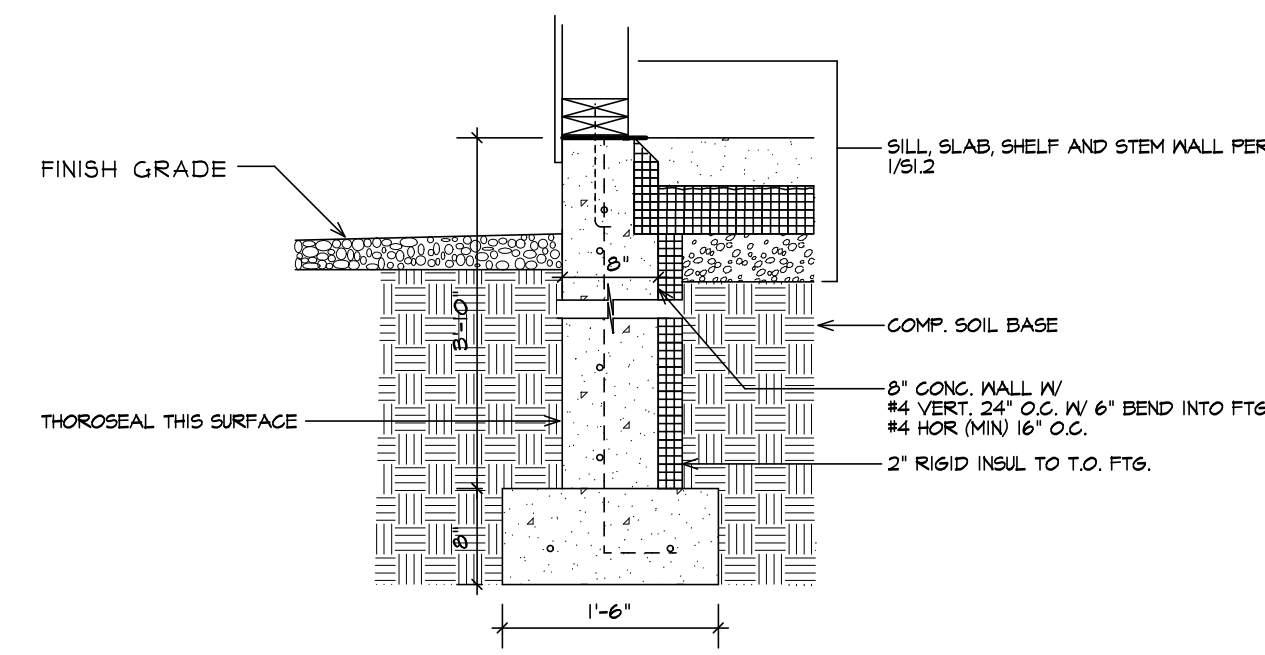
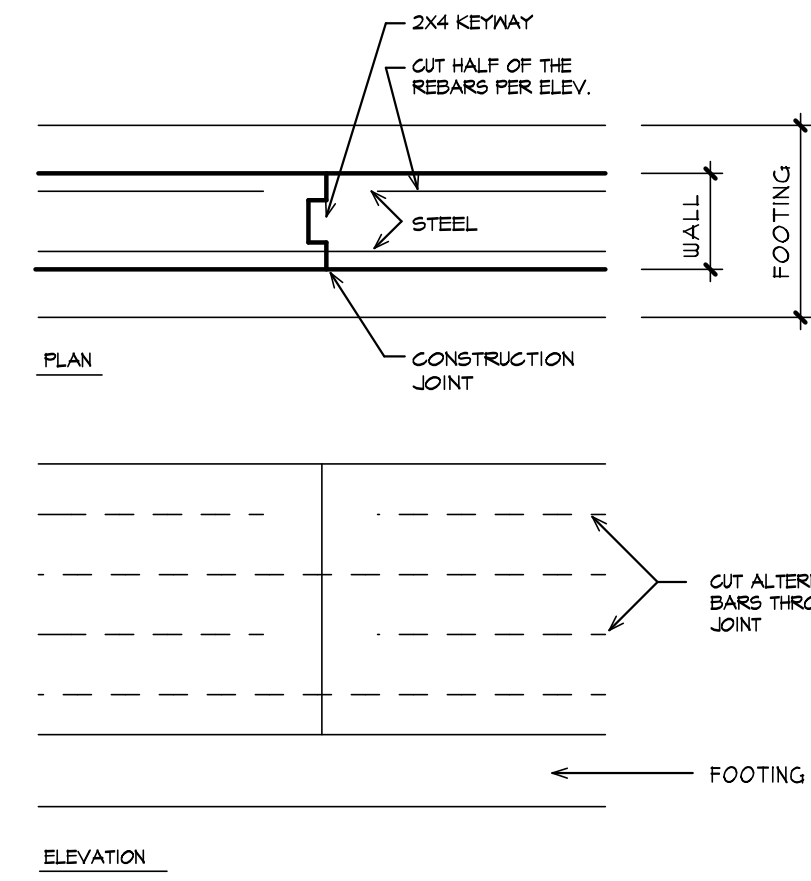


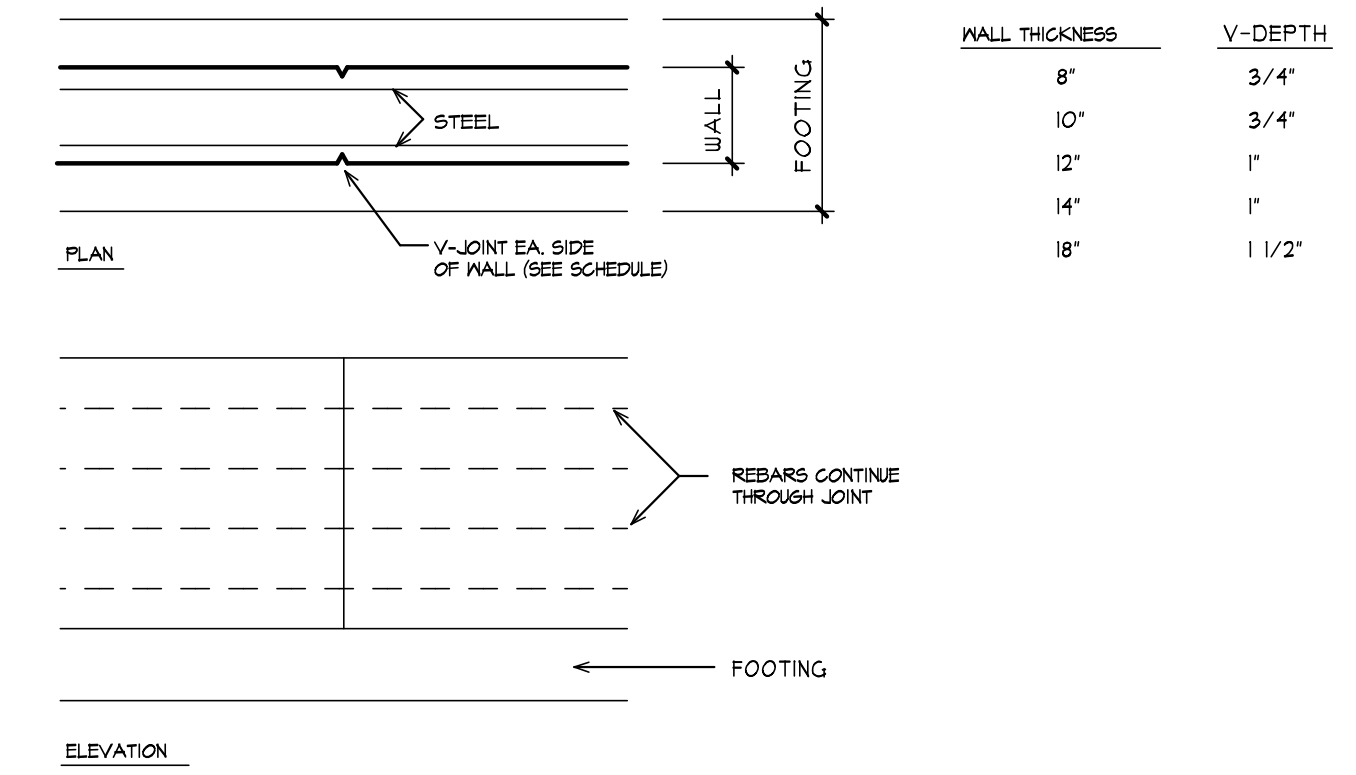
1 TYP. SLAB AND SCRIBED WALL  
S1.2 SCALE: 1" = 1'-0"



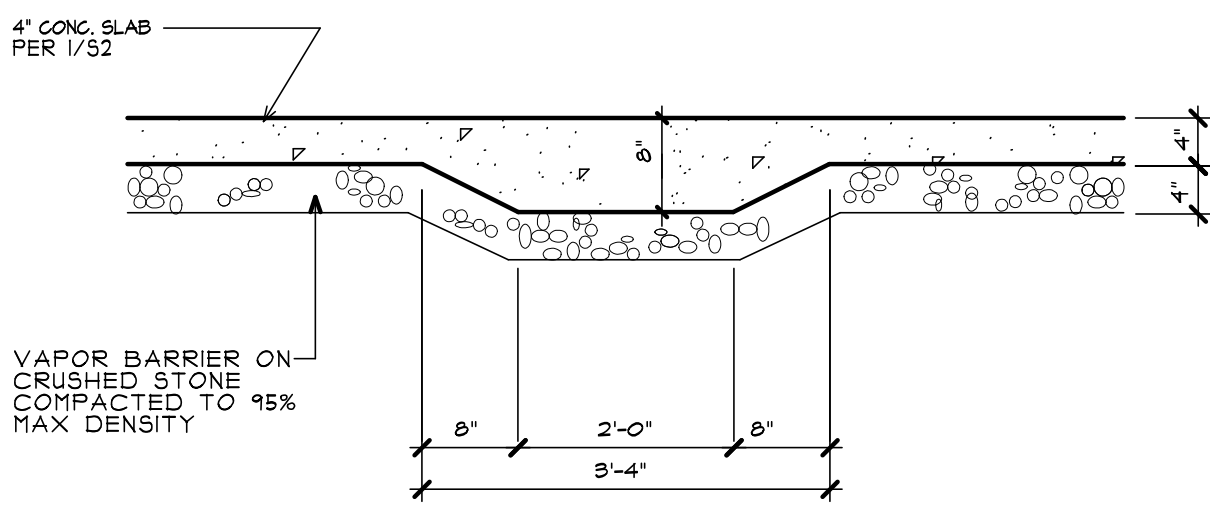
2 WALL WITH FOOTING  
S1.2 SCALE: 1" = 1'-0"



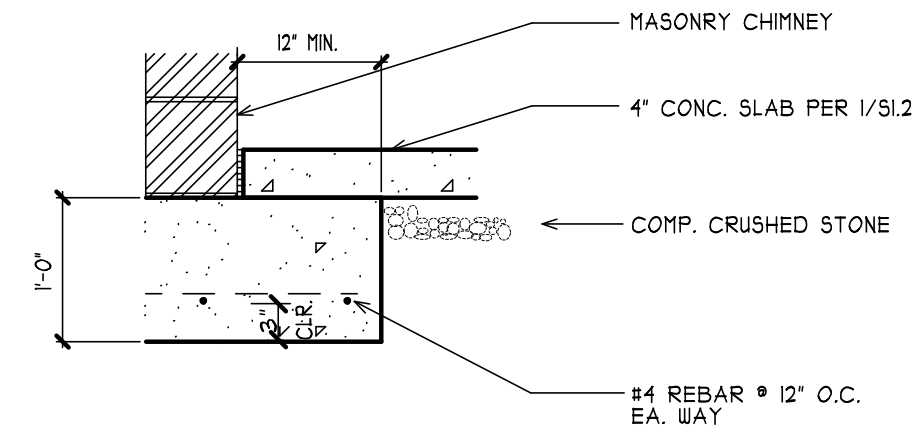
3 CONSTRUCTION JOINT  
S1.2 NO SCALE



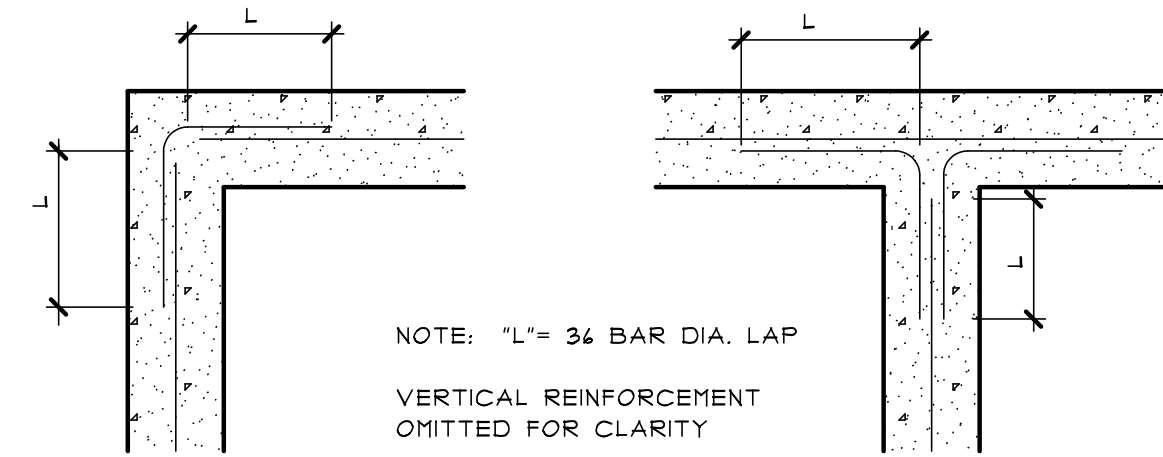
4 CONTROL JOINT  
S1.2 NO SCALE



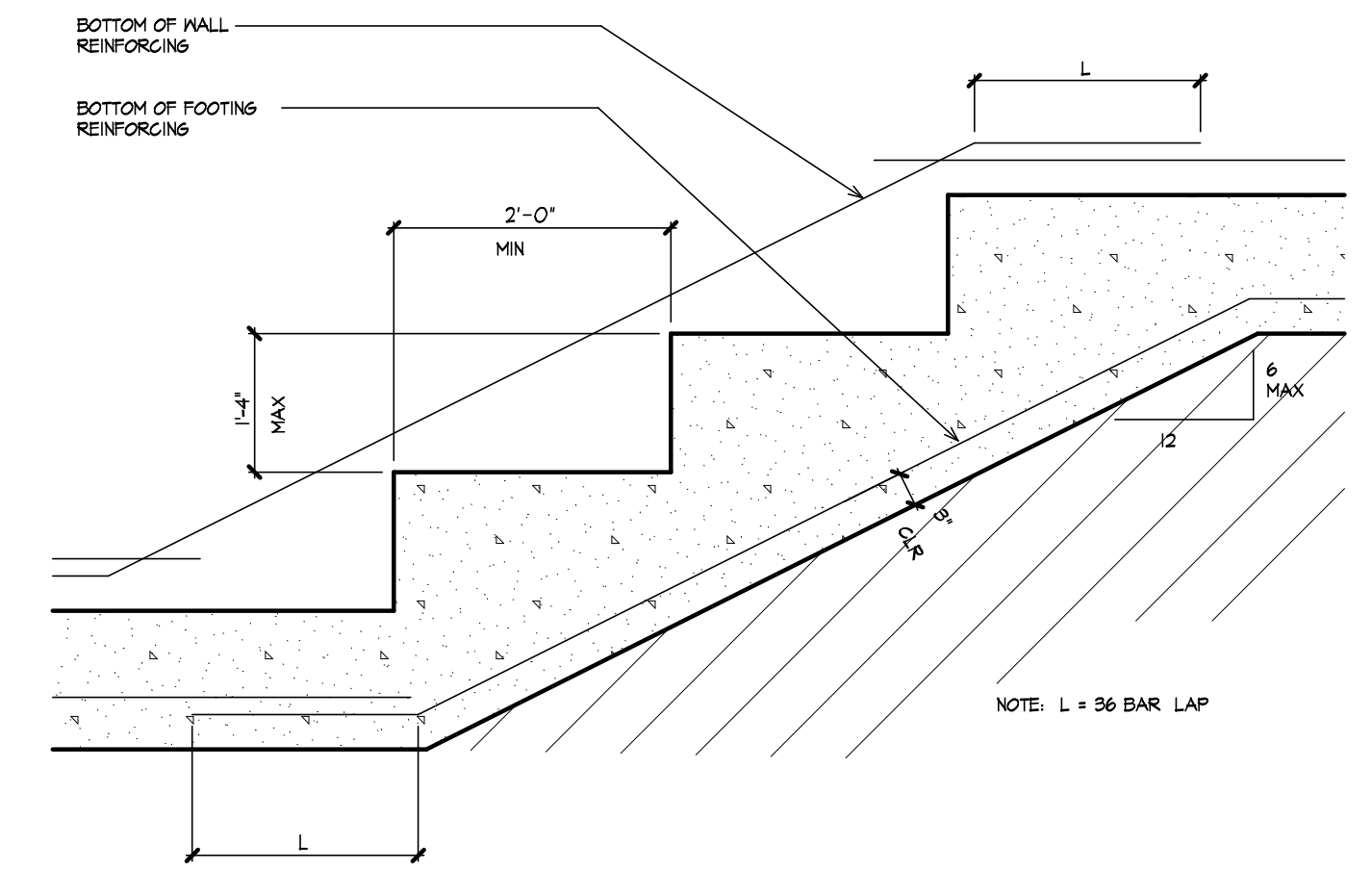
5 THICKENED SLAB  
S1.2 SCALE: 3/4" = 1'-0"



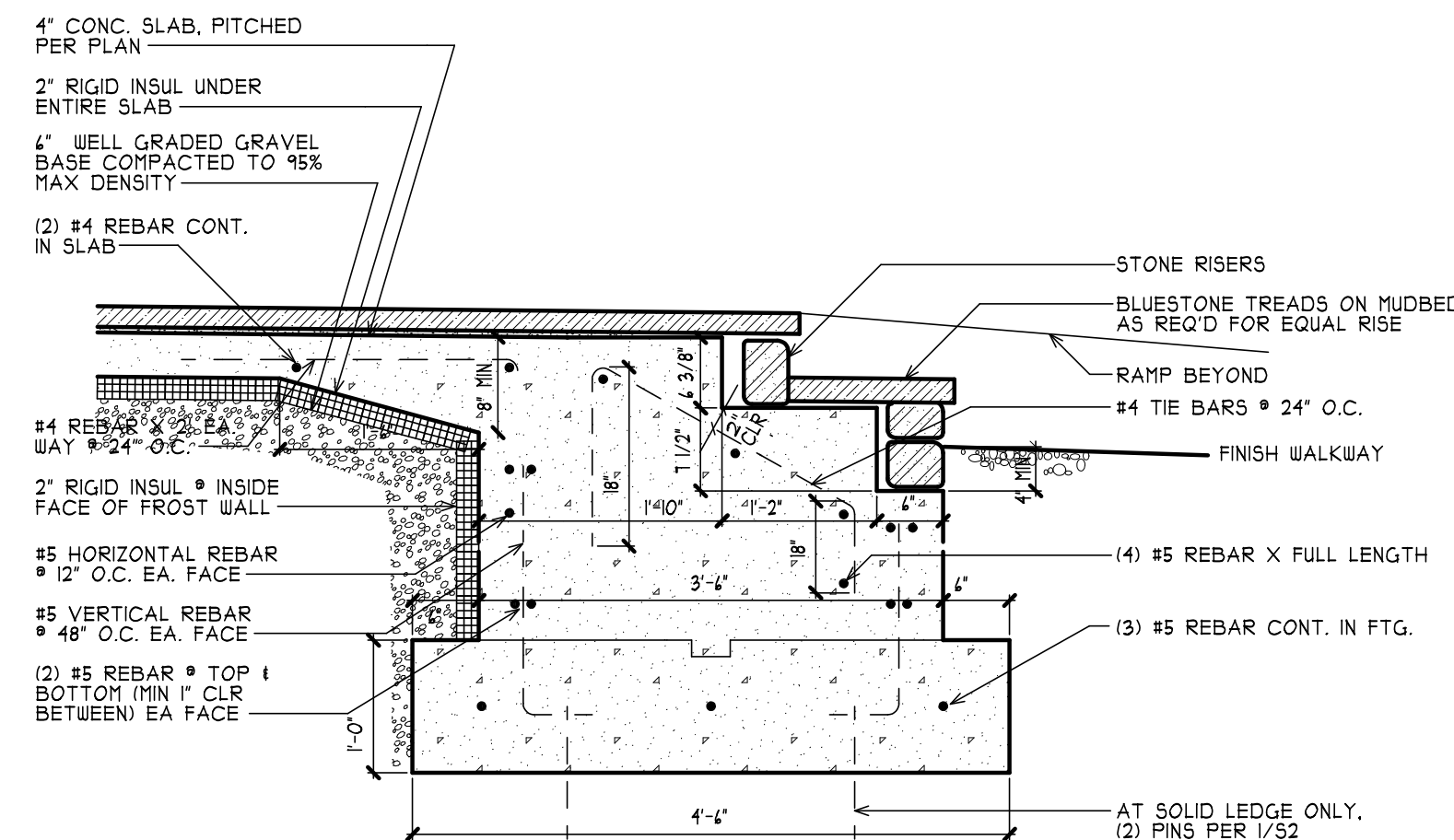
6 CHIMNEY PAD  
S1.2 SCALE: 3/4" = 1'-0"



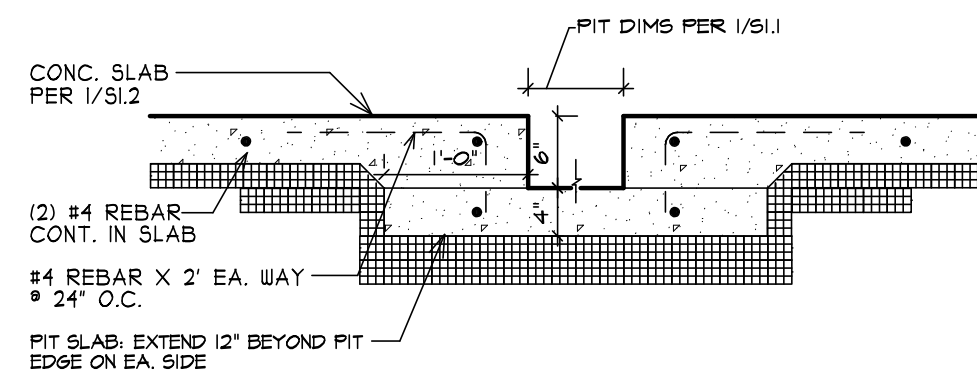
7 CORNER REINFORCING  
S1.2 SCALE: 3/4" = 1'-0"



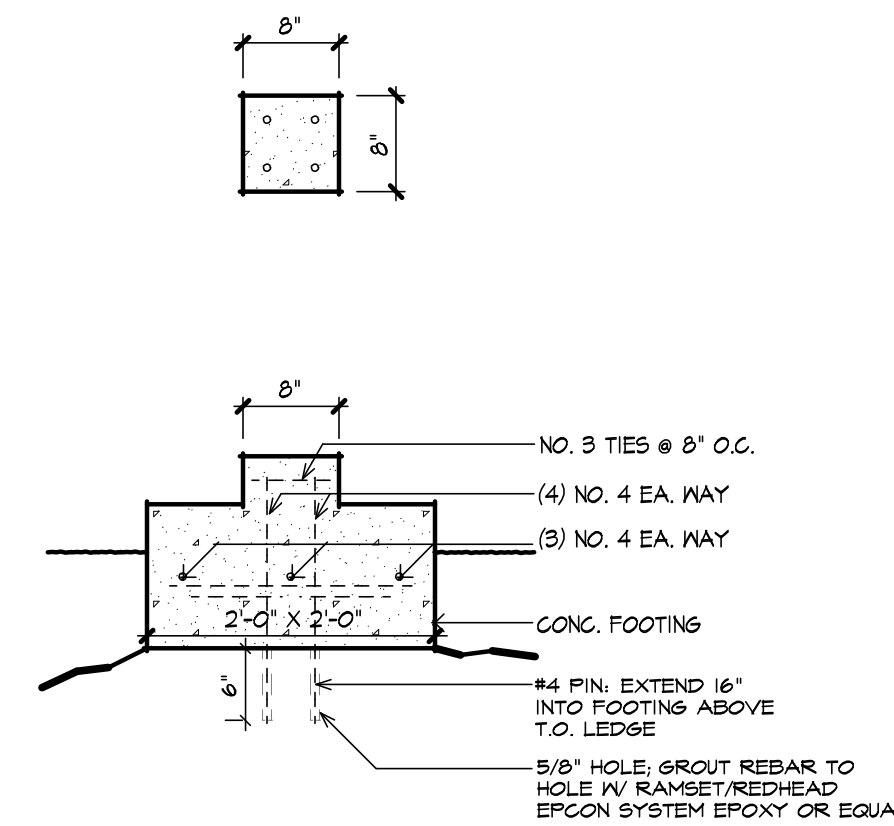
8 STEPPED FOOTING  
S1.2 SCALE: 3/4" = 1'-0"



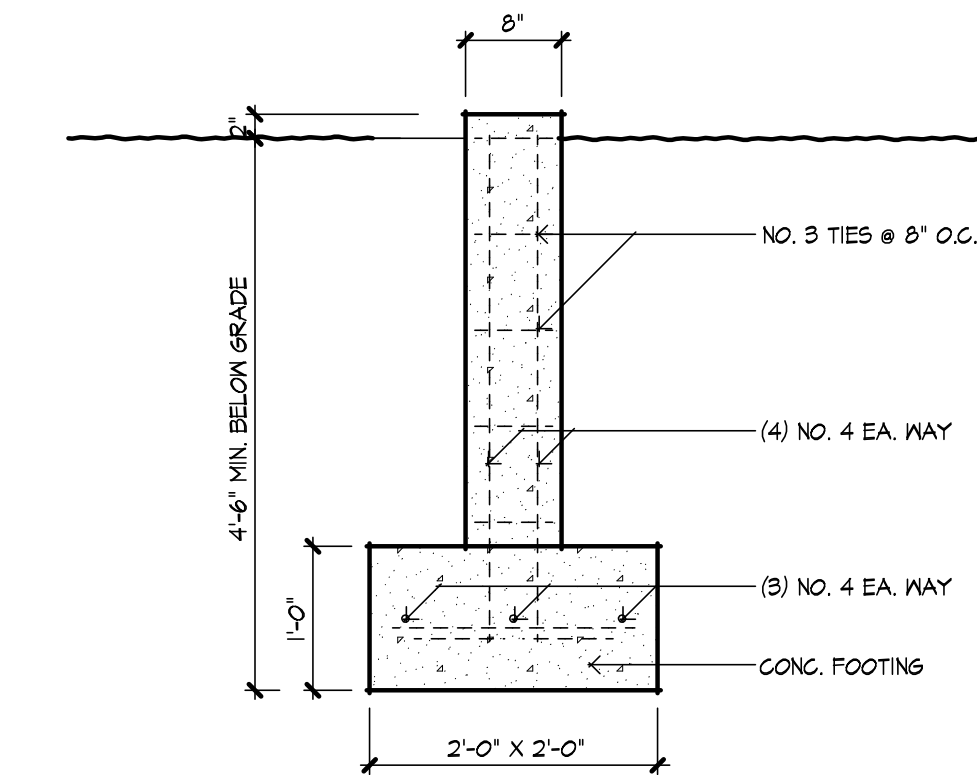
15 ENTRANCE PATIO STEPS  
S2 SCALE: 3/4" = 1'-0"



13 ELEVATOR PIT  
S1.2 SCALE: 3/4" = 1'-0"



11 PEIR FOOTING AT LEDGE  
S1.2 3/4" = 1'-0"



12 PEIR FOOTING DETAIL  
S1.2 3/4" = 1'-0"

JOHN MORRIS ARCHITECTS

49 MECHANIC ST. P.O. BOX 250 CAMDEN, ME 04843  
207-236-8321 johnmorrisarchitects.com FAX 207-236-8391

SOSNIK COTTAGE ARCHITECTS

GREAT DIAMOND ISLAND PORTLAND MAINE

FOUNDATION DETAILS

SCALE: 3/4" = 1'-0"

PLOT SCALE: 3/4" = 1'-0"

REVISIONS

JOB NO. 1506	FILE NAME 1506-FOUNDATIONPLAN
DRAWN BY JEM	DATE 19 APRIL 2016
© COPYRIGHT 2016 JOHN MORRIS ARCHITECTS	

ISSUE FOR PERMIT  
PROGRESS PRINT  
NOT FOR CONSTRUCTION

S1.2