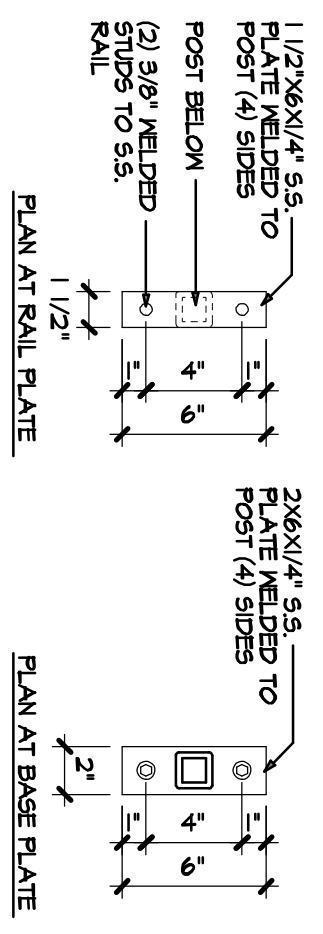
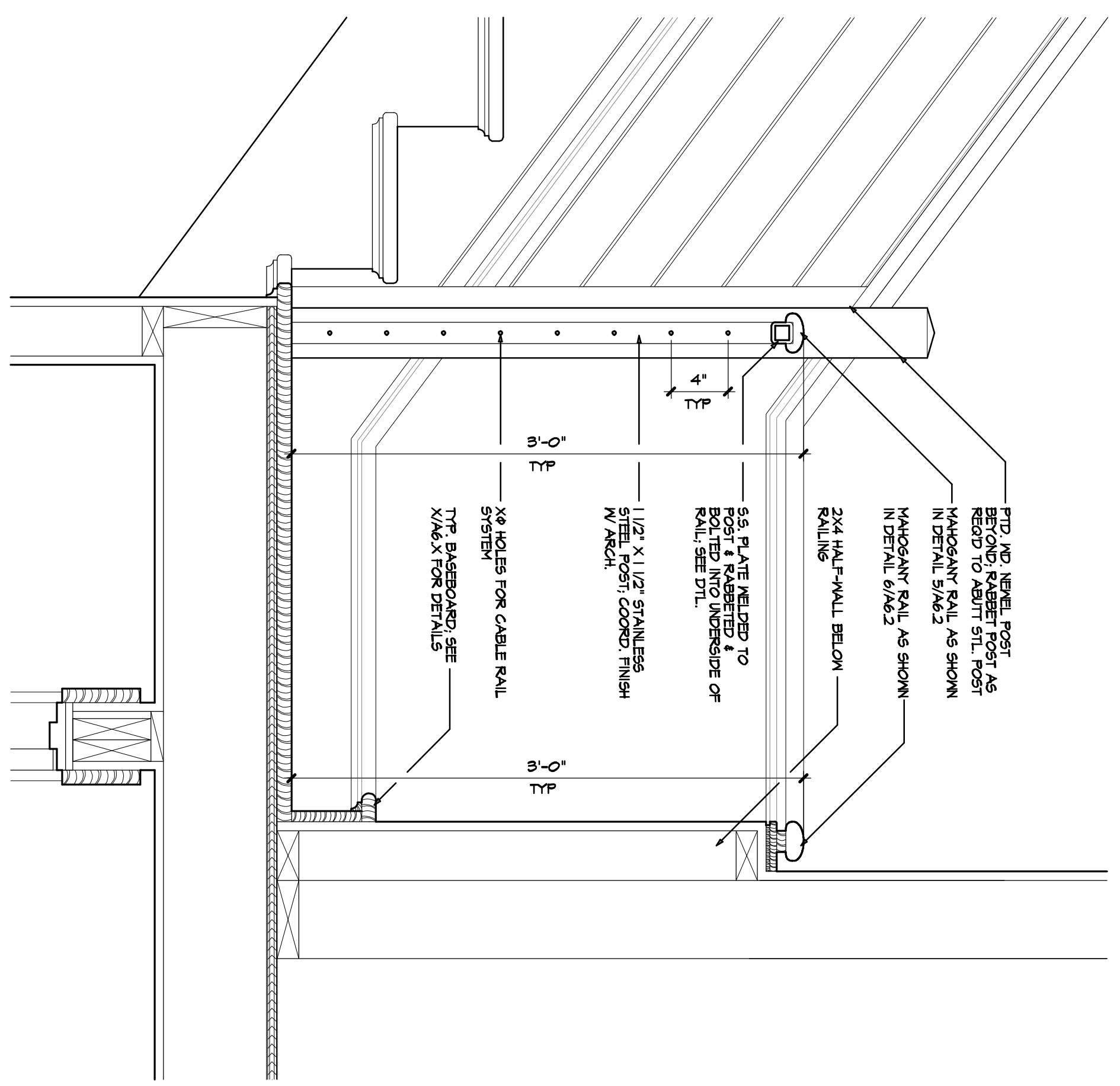


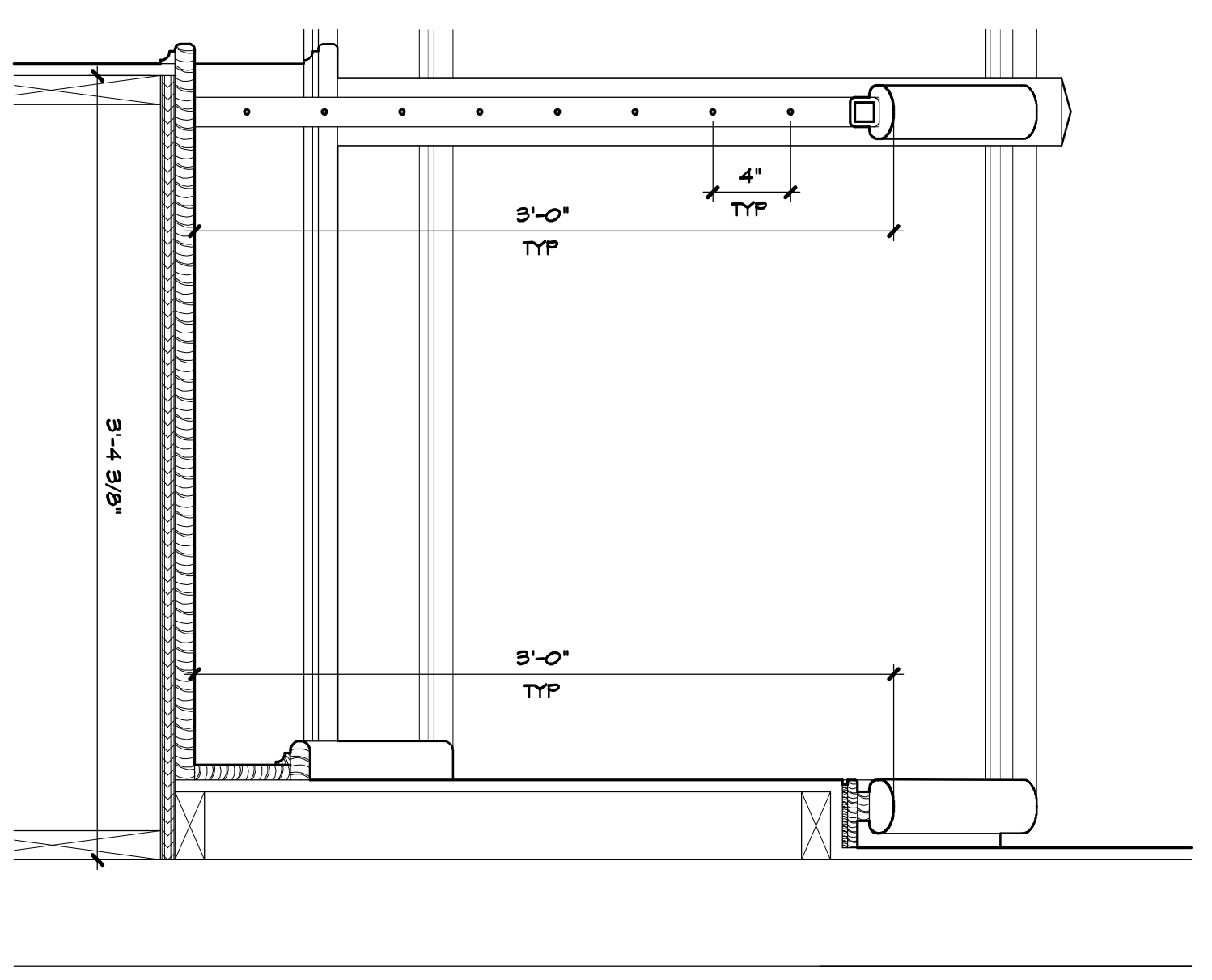
1 TYP. STAIR STEP DETAIL
A6.2 1/2" = 1'-0"



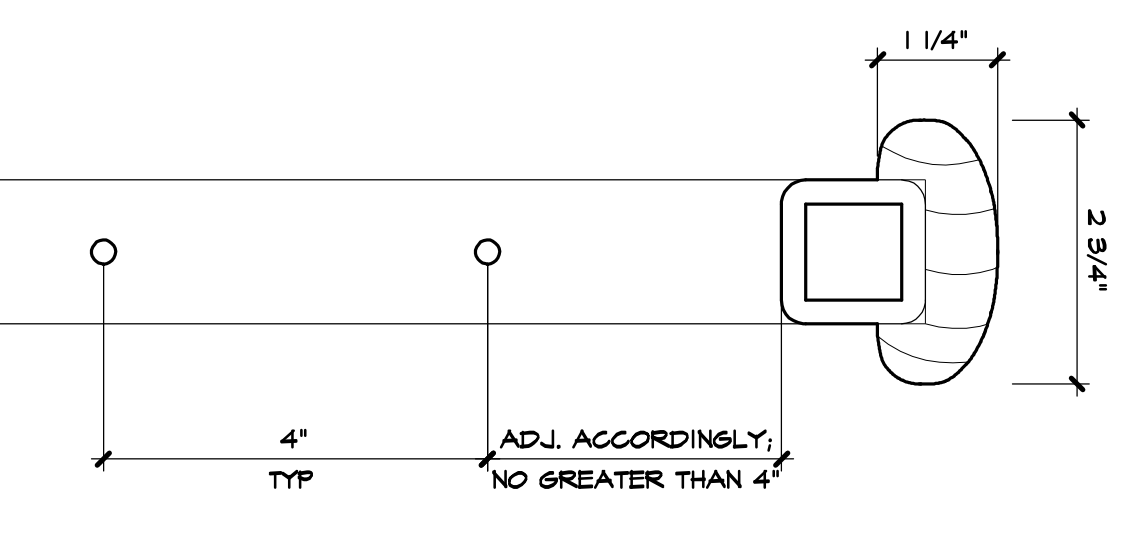
2 STEEL PLATE DETAILS
A6.2 1/2" = 1'-0"



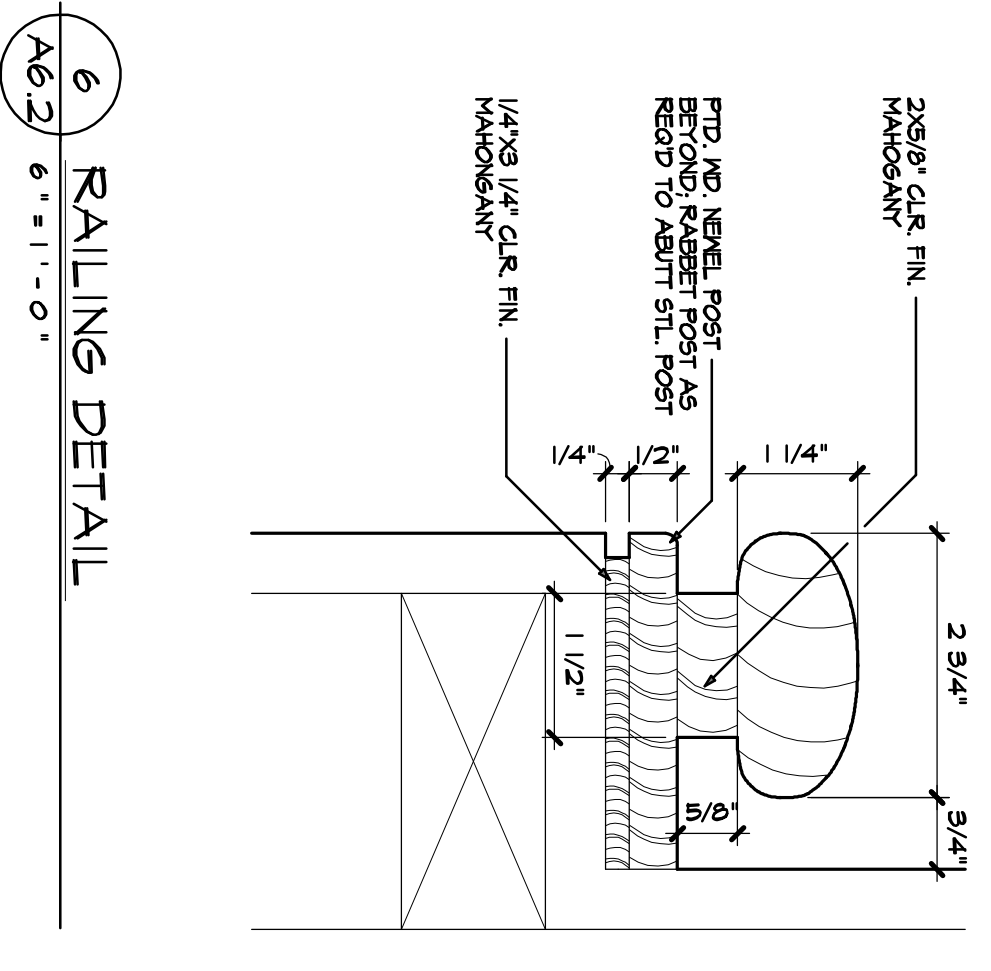
3 STAIR LANDING DETAIL
A6.2 1/2" = 1'-0"



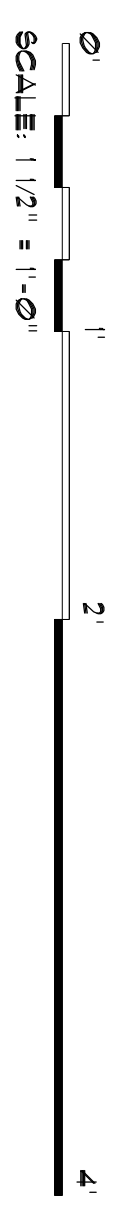
4 STAIR RISER DETAIL
A6.2 1/2" = 1'-0"



5 RAILING DETAIL
A6.2 6" = 1'-0"



6 RAILING DETAIL
A6.2 6" = 1'-0"



PROGRESS PRINT
NOT FOR CONSTRUCTION
ISSUE FOR PERMIT

<div style="border: 2px solid black; border-radius: 50%; width: 60px; height: 60px; margin: 0 auto; display: flex; align-items: center; justify-content: center;"> A6.2 </div>	<p>SOSNIK COTTAGE</p> <p>GREAT DIAMOND ISLAND PORTLAND MAINE</p> <hr/> <p>STAIR DETAILS</p> <p style="font-size: 8pt;">SCALE: 1 1/2" = 1'-0"</p>	<p>JOHN MORRIS ARCHITECTS</p> <p style="font-size: 8pt;">49 MECHANIC ST. P.O. BOX 250 CAMDEN, ME 04845 207-236-8321 johnmorrissarchitects.com FAX 236-6391</p>	<div style="border: 1px solid black; border-radius: 50%; width: 40px; height: 40px; margin: 0 auto;"></div>										
<p>REVISIONS</p> <table border="1" style="width: 100%; border-collapse: collapse; font-size: 8pt;"> <tr><td style="width: 10%;">XXIX</td><td style="width: 10%;">XXX</td></tr> </table>	XXIX	XXX	<table border="1" style="width: 100%; border-collapse: collapse; font-size: 8pt;"> <tr><td style="width: 15%;">JOB NO.</td><td style="width: 15%;">FILE NAME</td></tr> <tr><td>1506</td><td>1506-INTDLS</td></tr> <tr><td>DESIGN BY</td><td>DAT</td></tr> <tr><td>JLN</td><td>28 MAY 2016</td></tr> </table>	JOB NO.	FILE NAME	1506	1506-INTDLS	DESIGN BY	DAT	JLN	28 MAY 2016	<p style="font-size: 8pt;">© COPYRIGHT 2016 JOHN MORRIS ARCHITECTS</p>	
XXIX	XXX												
JOB NO.	FILE NAME												
1506	1506-INTDLS												
DESIGN BY	DAT												
JLN	28 MAY 2016												