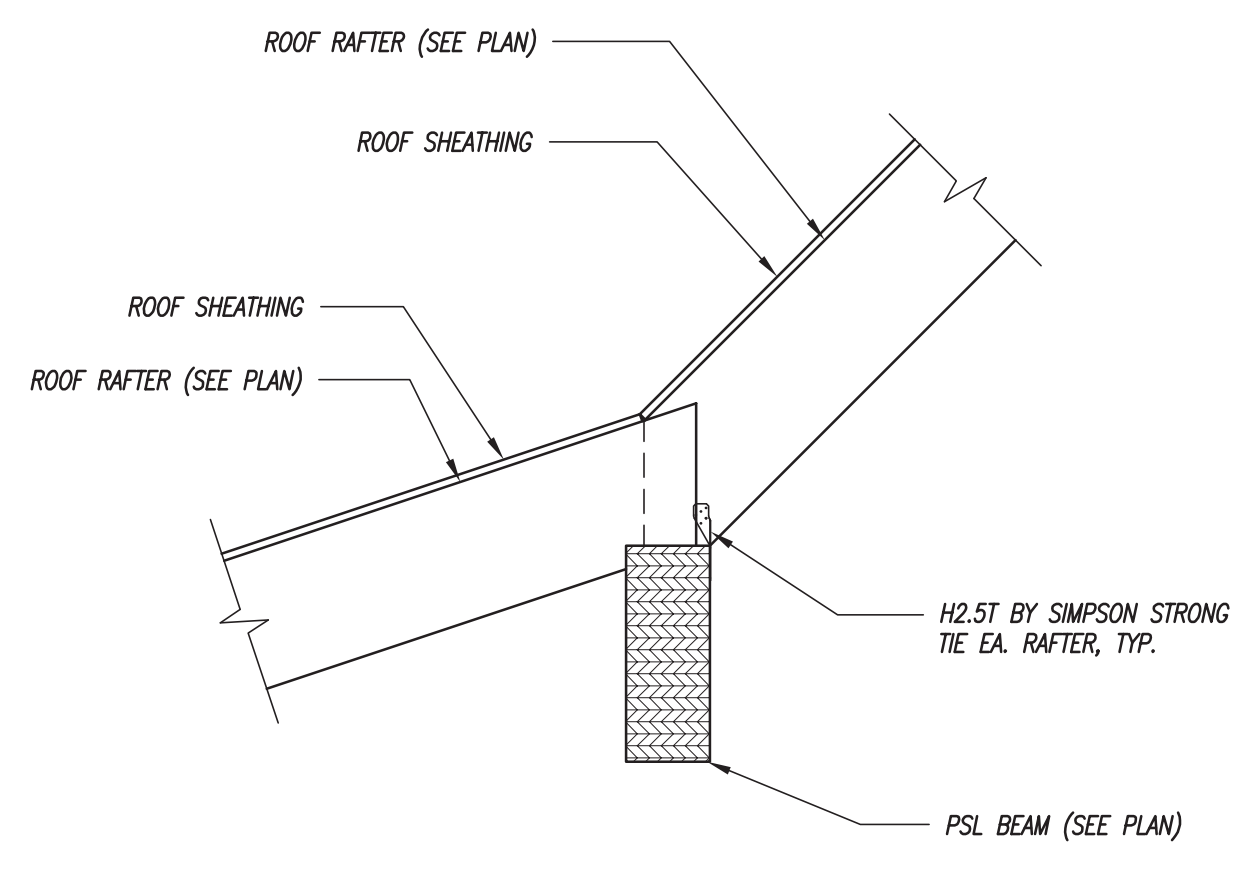
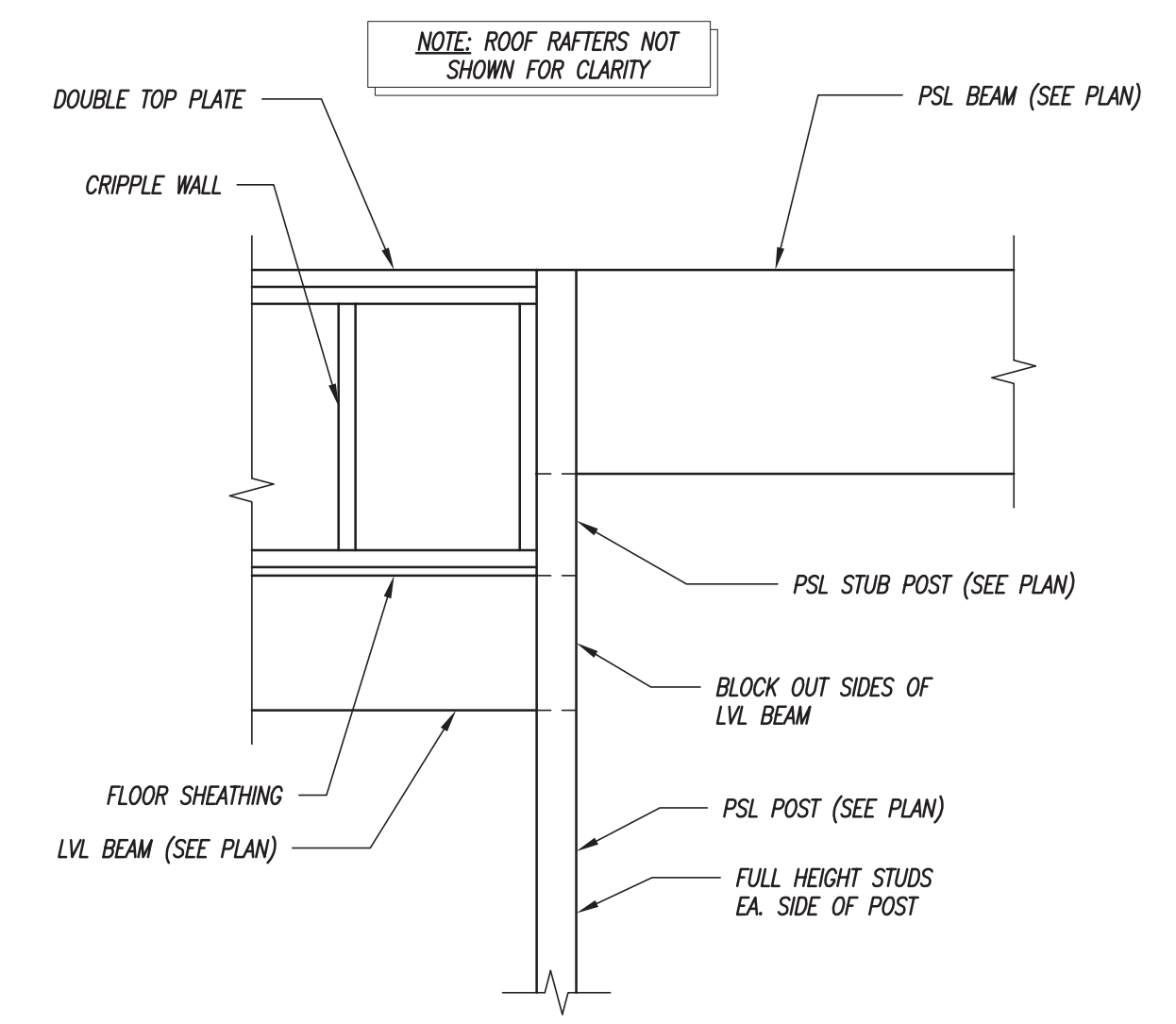


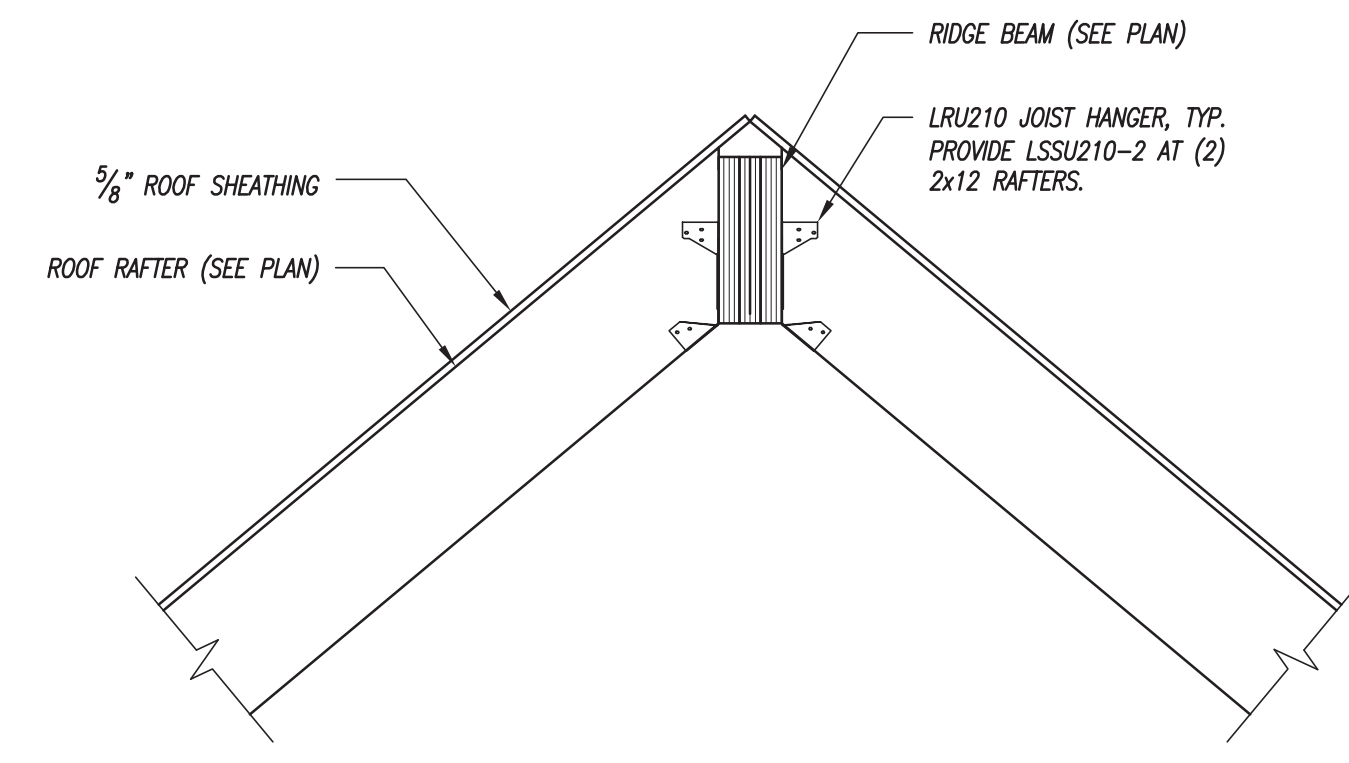
This drawing is an instrument of professional service, and shall not be used, in whole or in part, for any project other than for which it was created without the express, written consent of M<sup>2</sup> Structural Engineering, P.C. Any unauthorized use, reuse, modification or alteration, including automated conversion of this document shall be at the user's sole risk without liability or legal exposure to M<sup>2</sup> Structural Engineering, P.C.



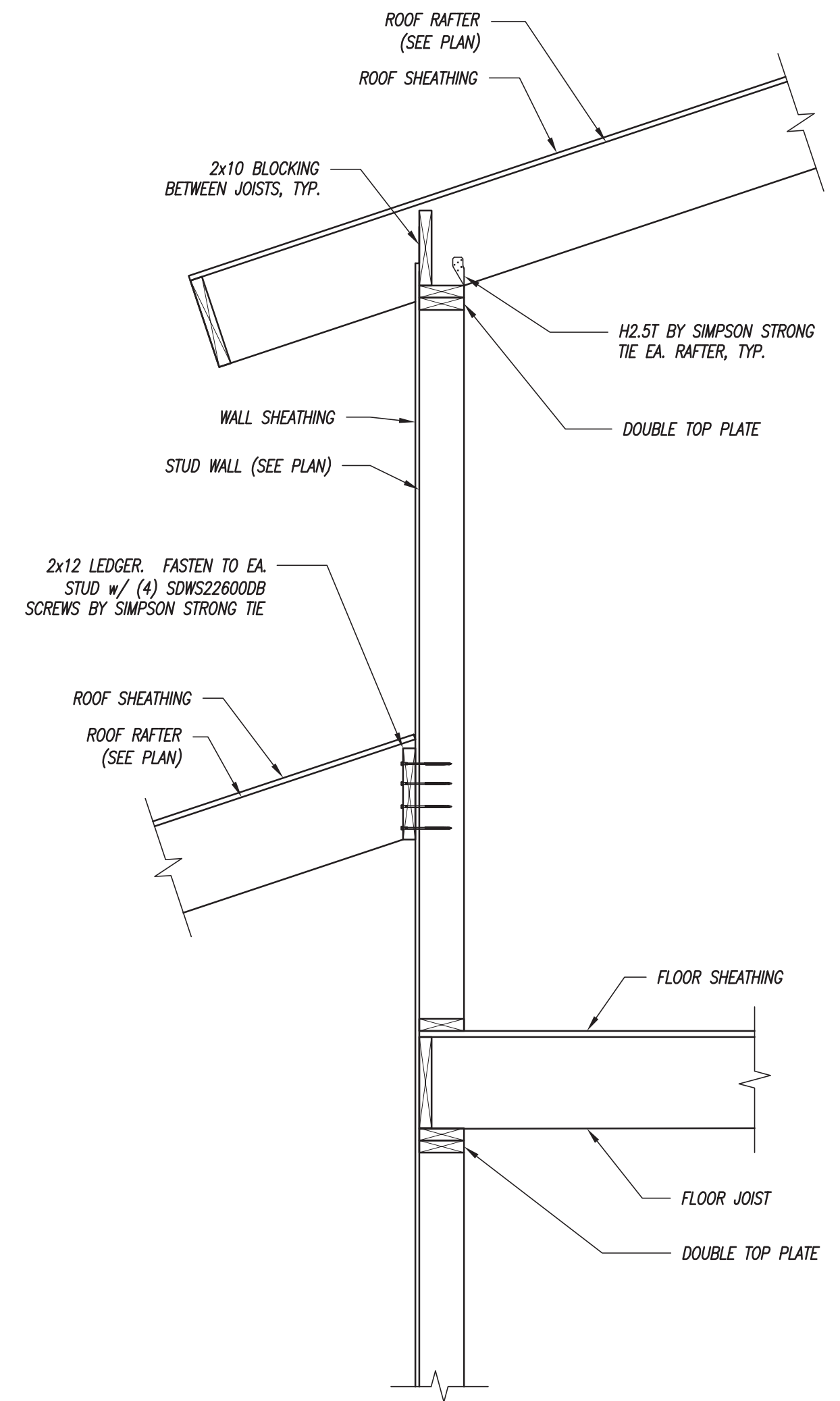
1 SECTION  
3/4" = 1'-0"



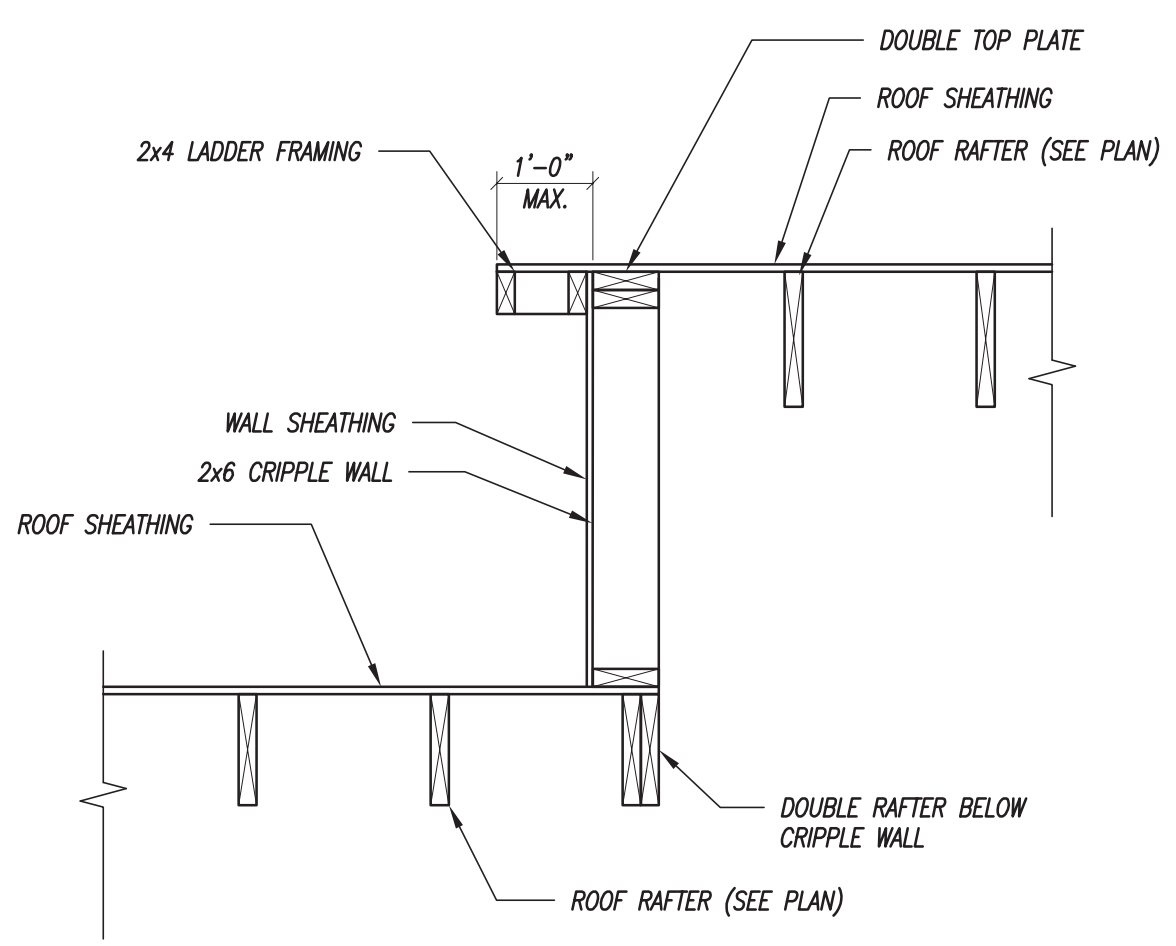
2 SECTION  
3/4" = 1'-0"



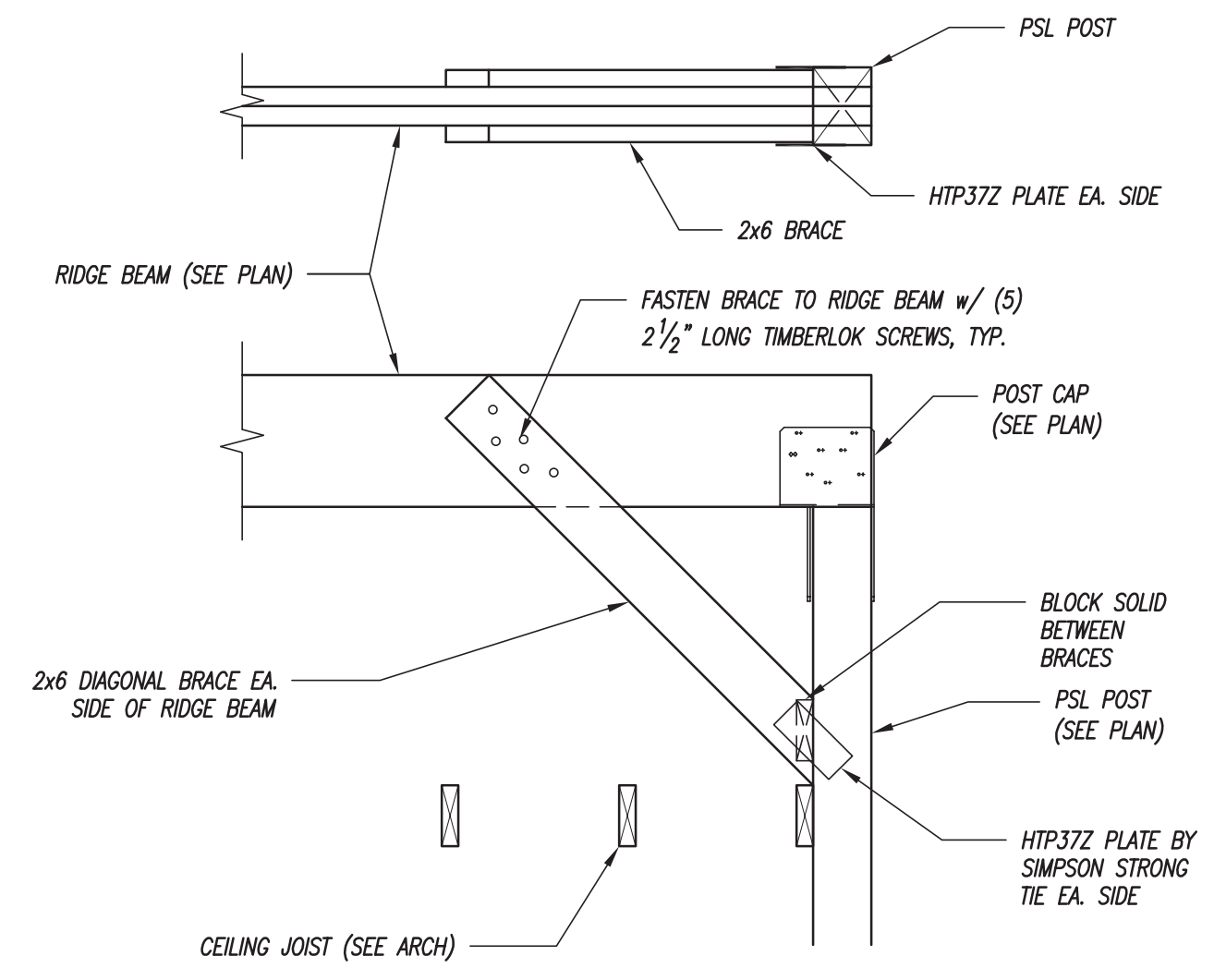
3 SECTION  
3/4" = 1'-0"



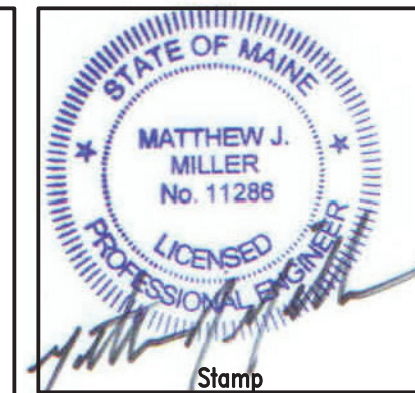
4 SECTION  
3/4" = 1'-0"



5 SECTION  
3/4" = 1'-0"



6 SECTION  
3/4" = 1'-0"



Revisions:	No:	Date:	Description:

**M<sup>2</sup> STRUCTURAL ENGINEERING, P.C.**  
 23 Thornbury Way  
 Windham, ME 04062  
 (207) 892-0983  
 info@m2se.com

Client:  
**AMY FARRELL**

Sheet Title:  
**FRAMING SECTIONS AND DETAILS**

Project Name:  
**FARRELL RESIDENCE  
 GREAT DIAMOND ISLAND,  
 PORTLAND, MAINE**

Project No:	17079
Designed By:	MJM
Drawn By:	MJM
Checked By:	MJM
Scale:	AS NOTED
Date:	09/25/2017