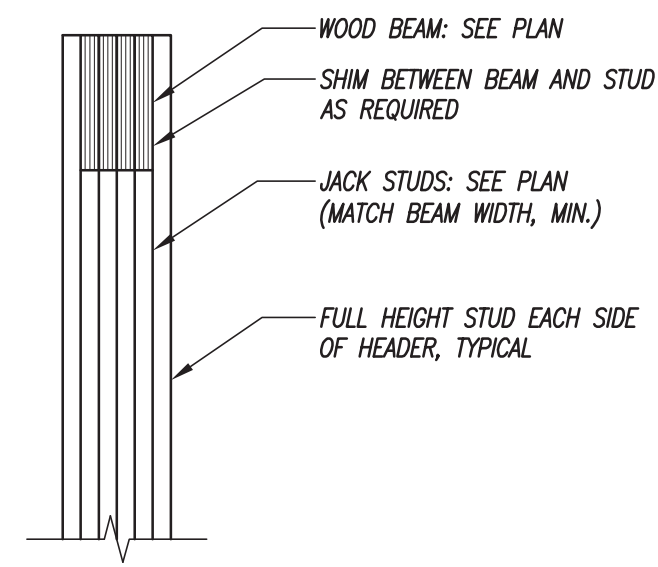
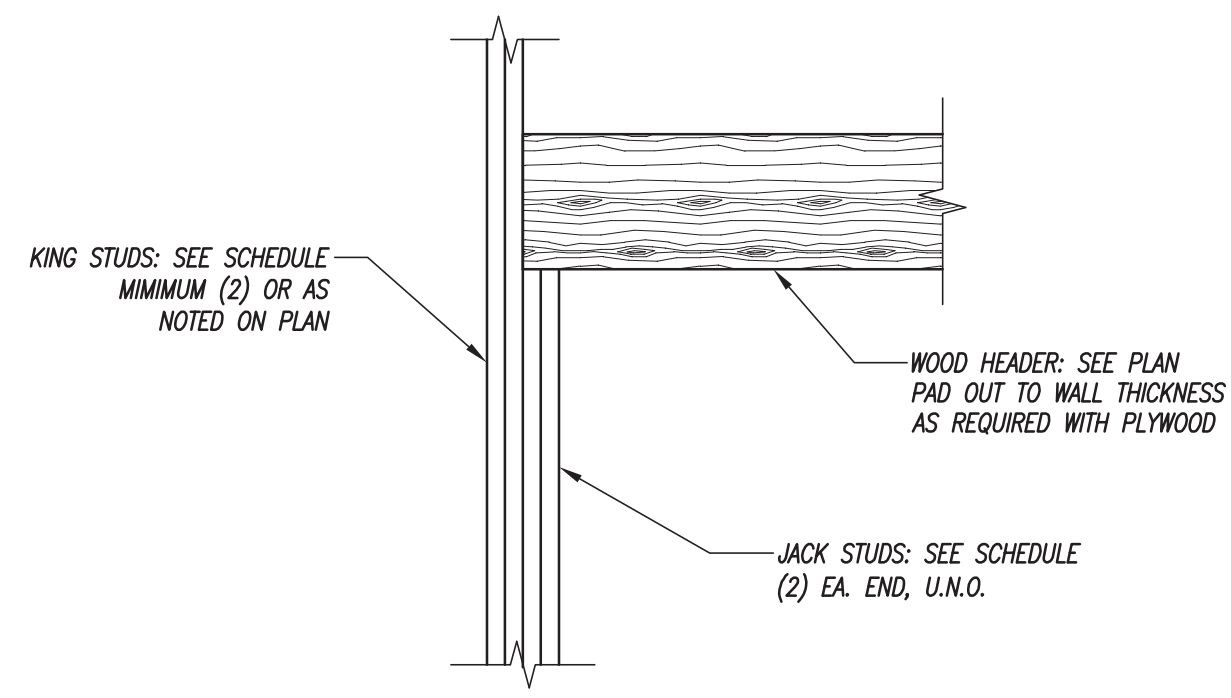


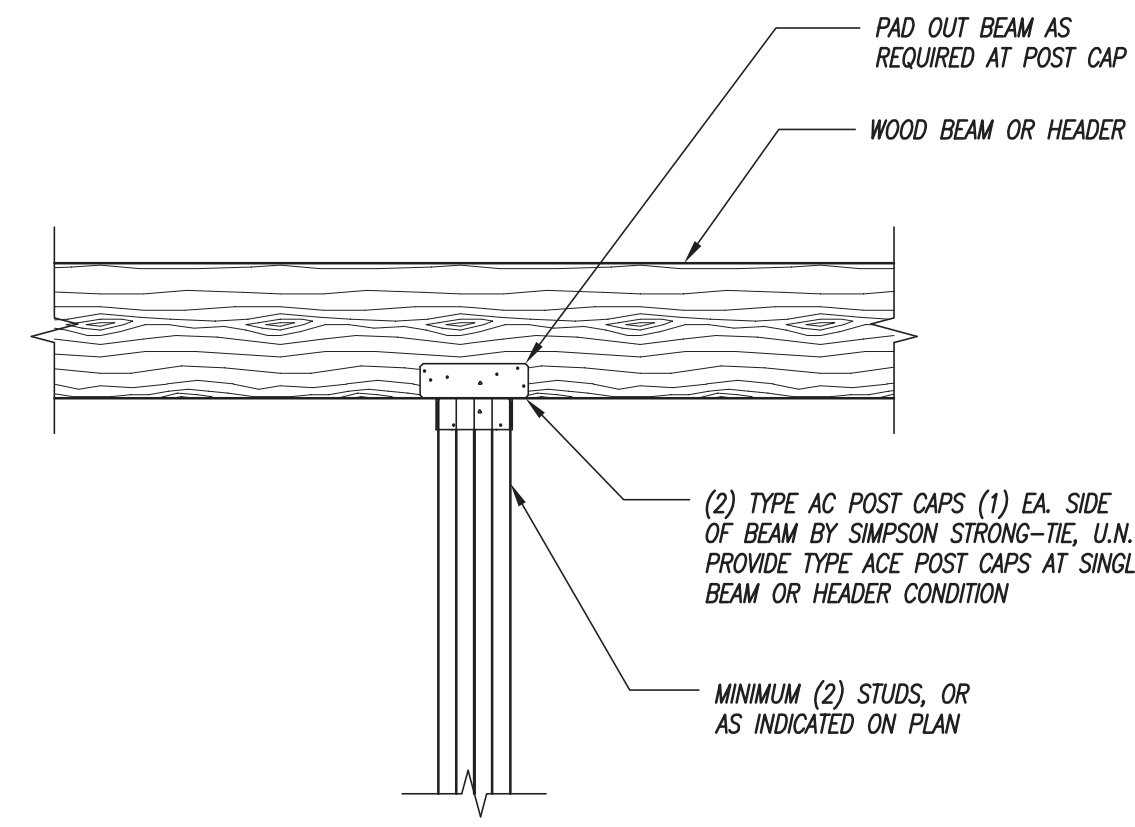
This drawing is an instrument of professional service, and shall not be used, in whole or in part, for any project other than for which it was created without the express, written consent of M² Structural Engineering, P.C. Any unauthorized use, reuse, modification or alteration, including automated conversion of this document shall be at the user's sole risk without liability or legal exposure to M² Structural Engineering, P.C.



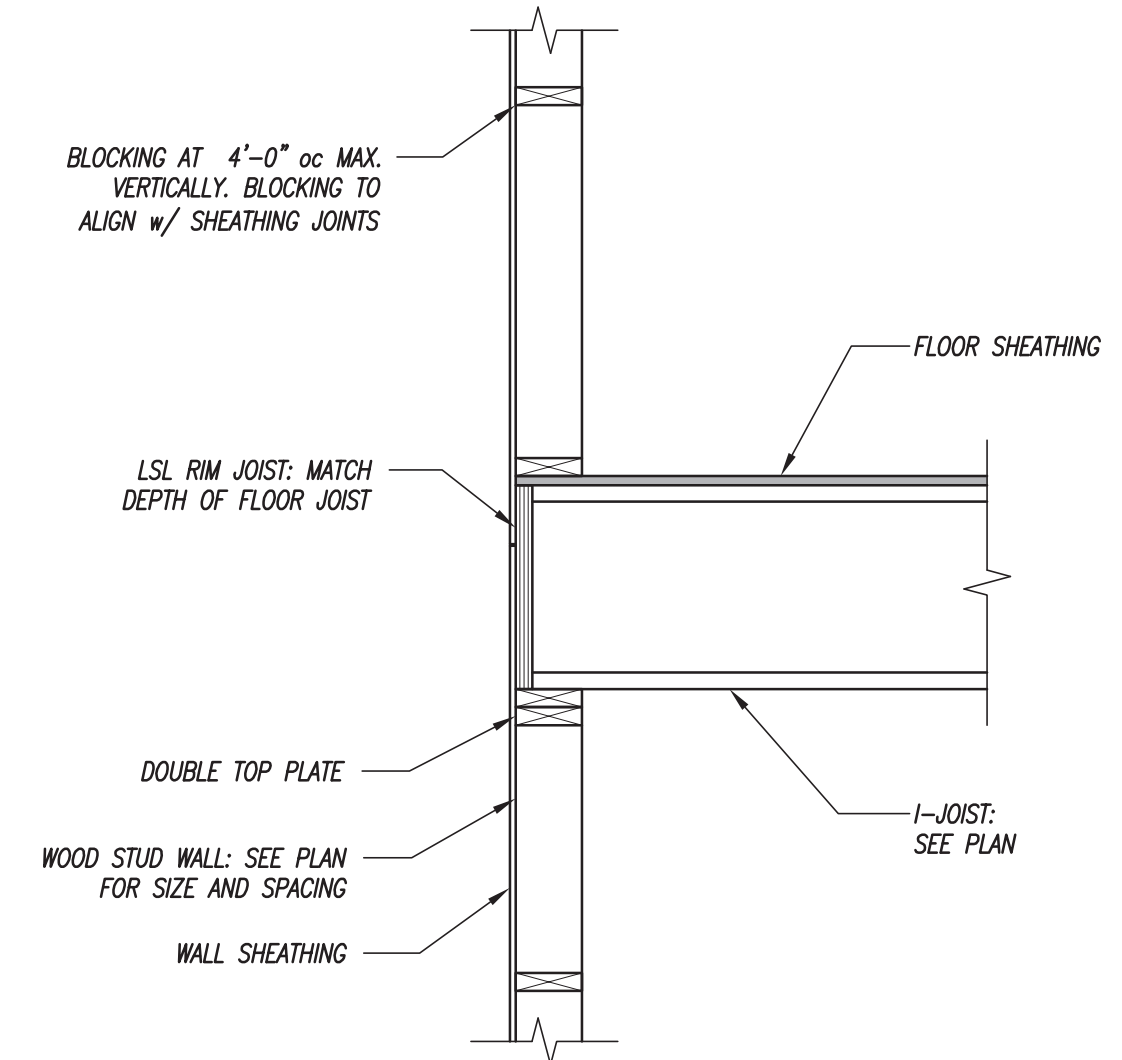
1 BEAM BEARING PERPENDICULAR TO WALL
3/4" = 1'-0"



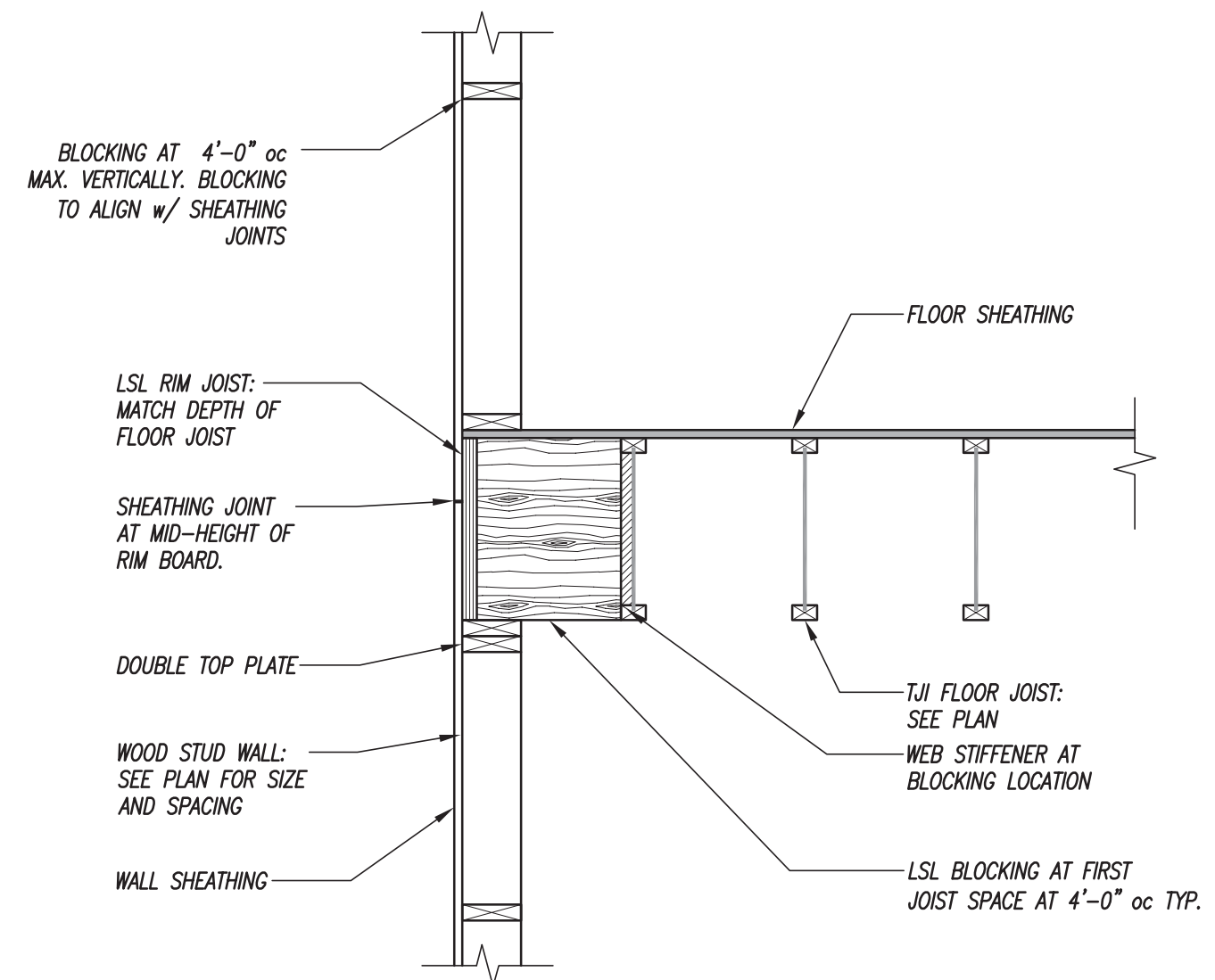
2 TYPICAL BEAM/HEADER DETAIL
3/4" = 1'-0"



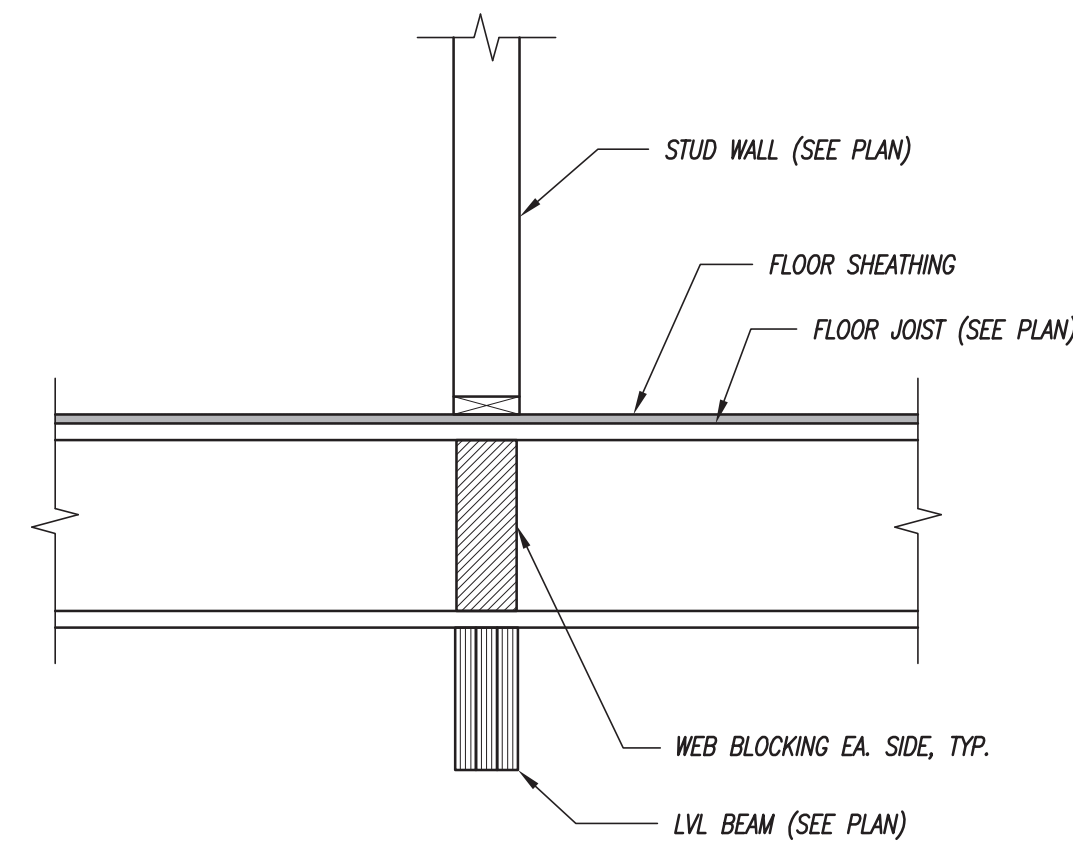
3 TYPICAL BEAM TO WOOD COLUMN DETAIL
3/4" = 1'-0"



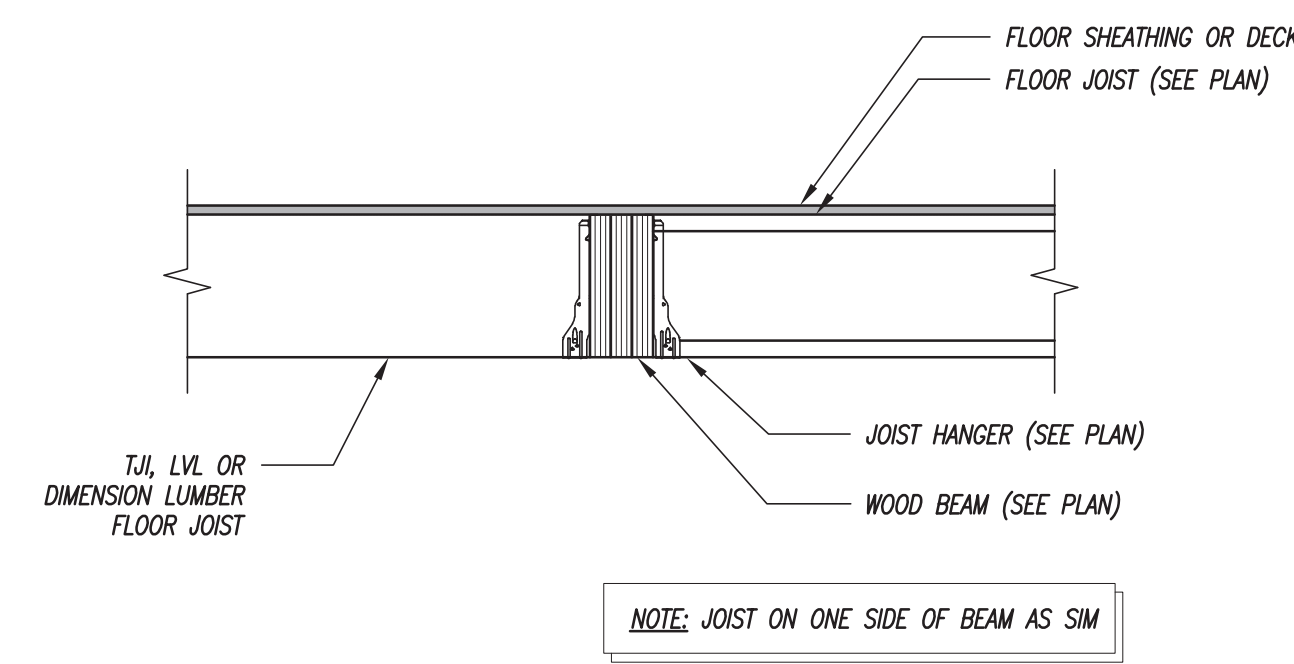
4 SECTION
3/4" = 1'-0"



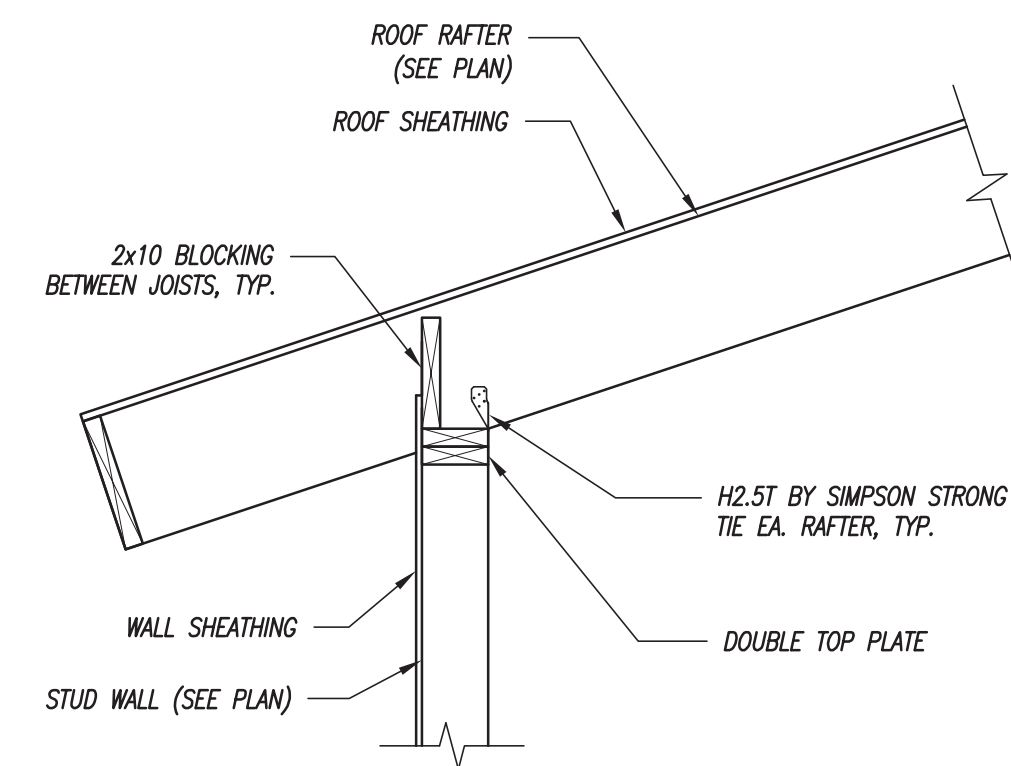
5 SECTION
3/4" = 1'-0"



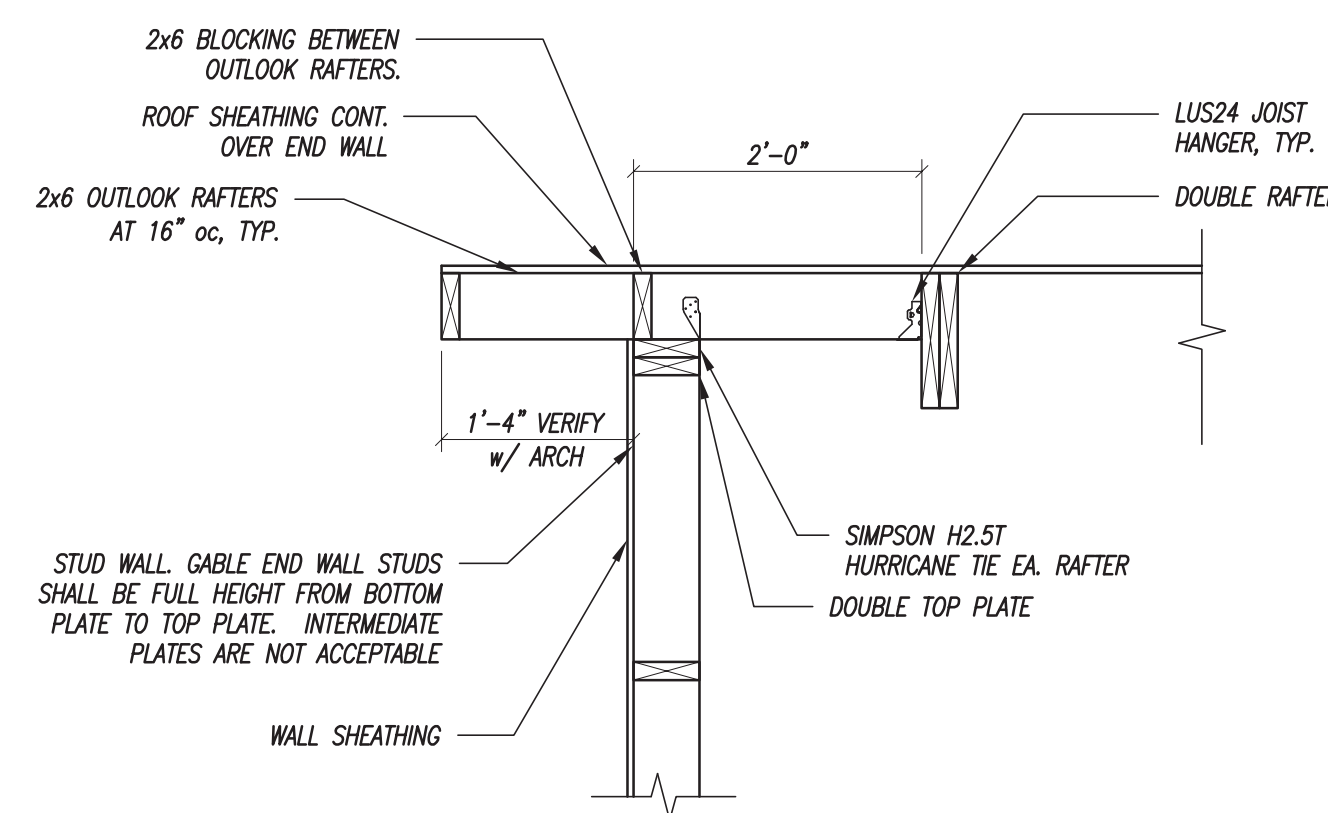
6 SECTION
3/4" = 1'-0"



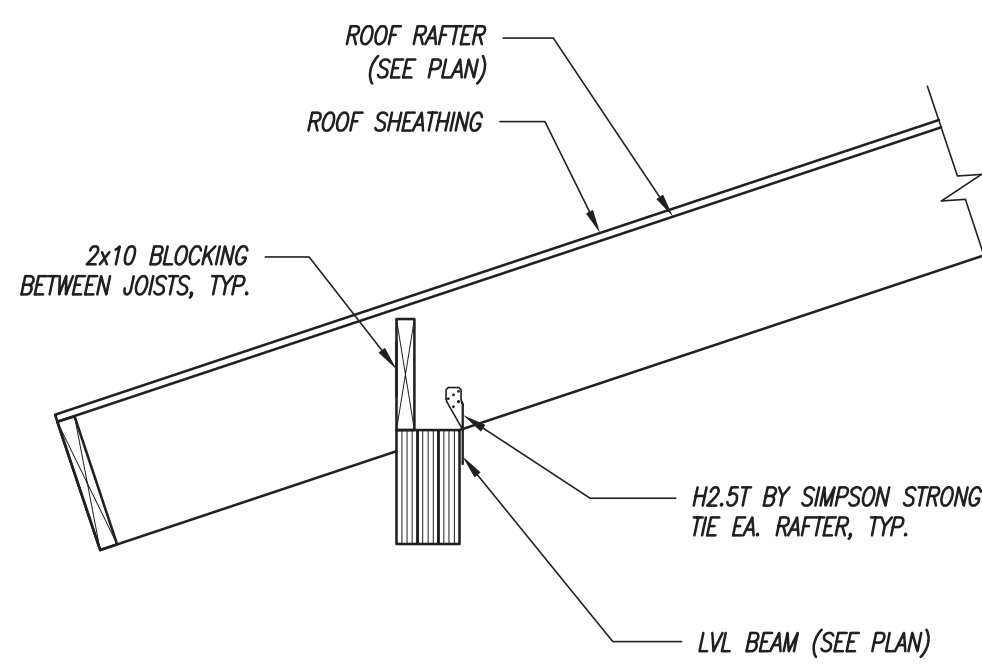
7 SECTION
3/4" = 1'-0"



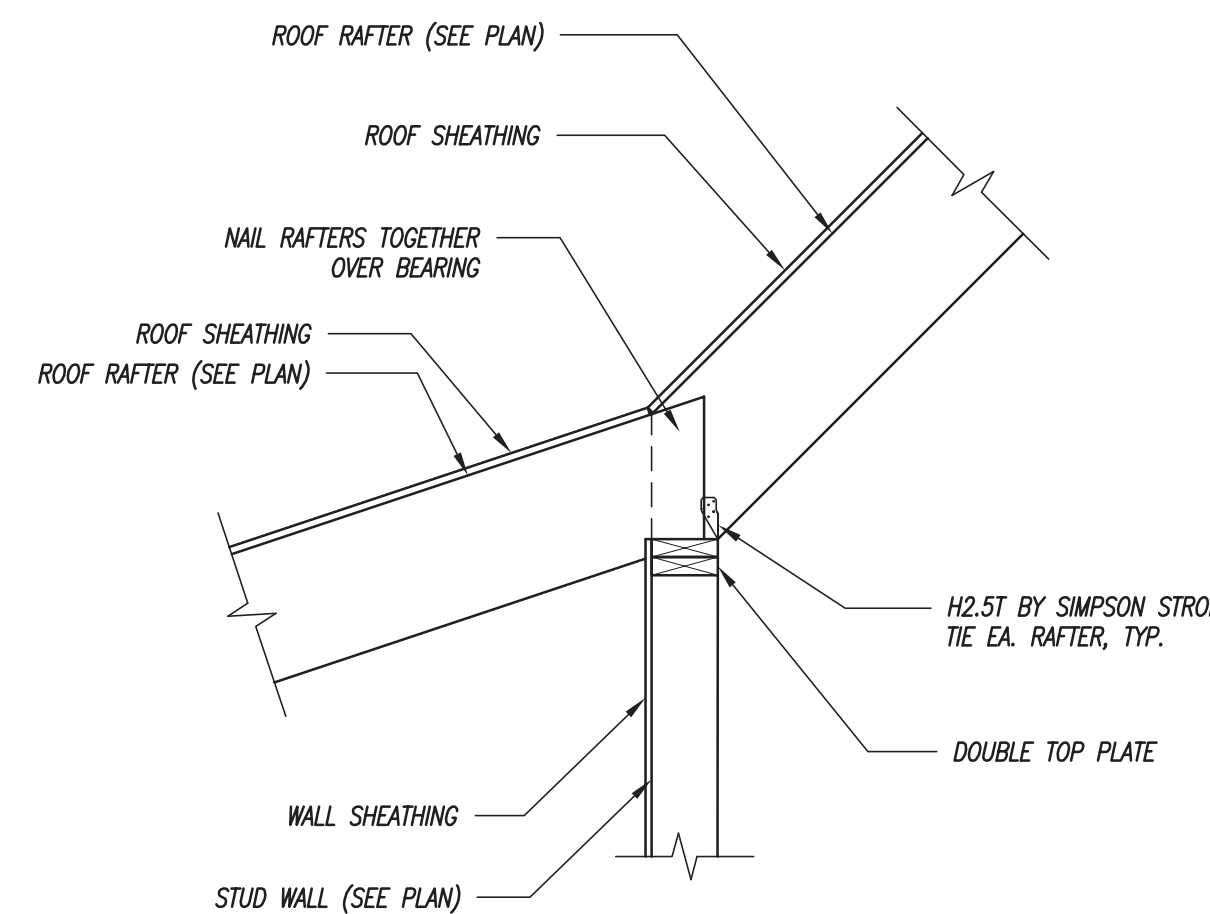
8 SECTION
3/4" = 1'-0"



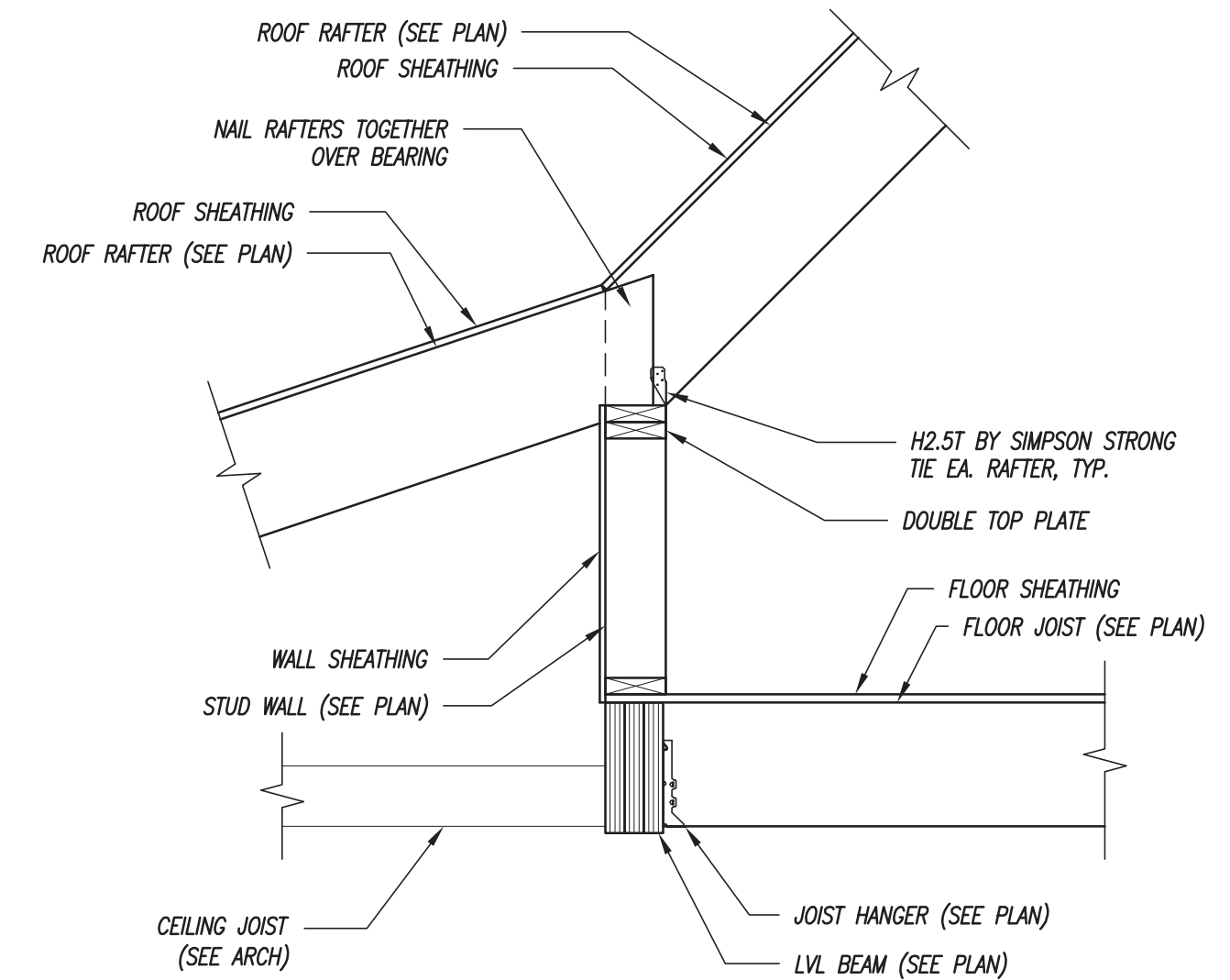
9 SECTION
3/4" = 1'-0"



10 SECTION
3/4" = 1'-0"



11 SECTION
3/4" = 1'-0"



12 SECTION
3/4" = 1'-0"



Revisions:	No.	Date:	Description:

M² STRUCTURAL ENGINEERING, P.C.
23 Thornbury Way
Windham, ME 04062
(207) 892-0983
info@m2se.com

Client:
AMY FARRELL

Sheet Title:
FRAMING SECTIONS AND DETAILS
Project Name:
**FARRELL RESIDENCE
GREAT DIAMOND ISLAND,
PORTLAND, MAINE**

Project No: 17079
Designed By: MJM
Drawn By: MJM
Checked By: MJM
Scale: AS NOTED
Date: 09/25/2017