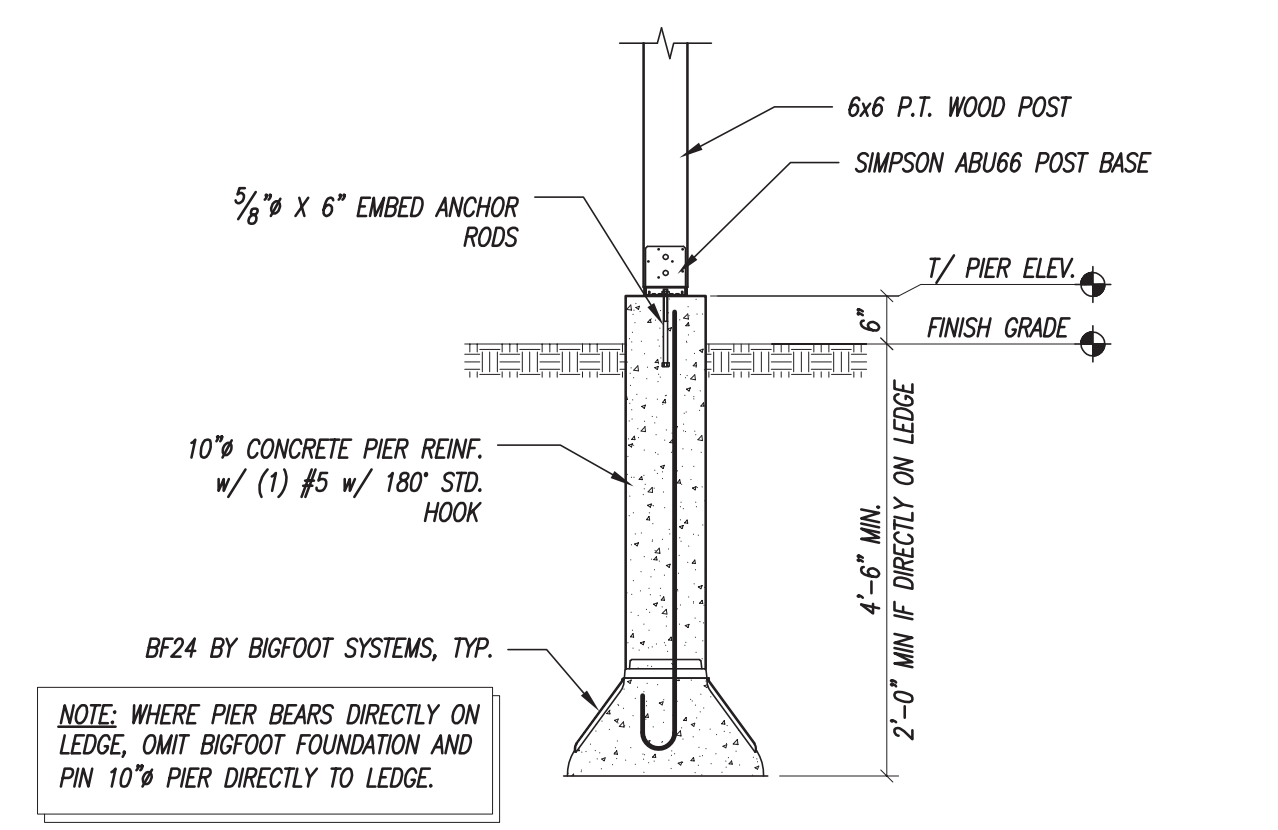
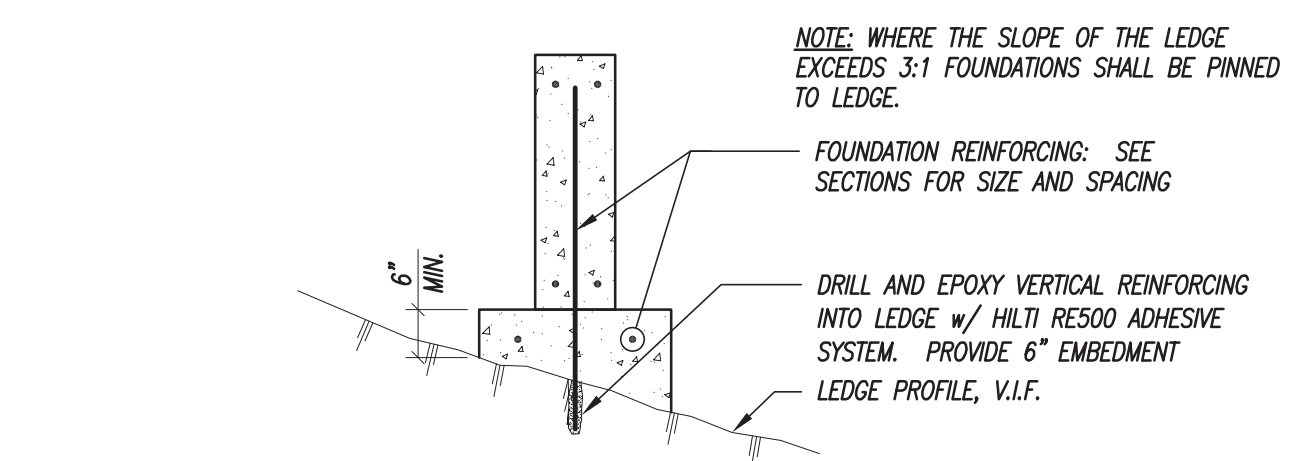


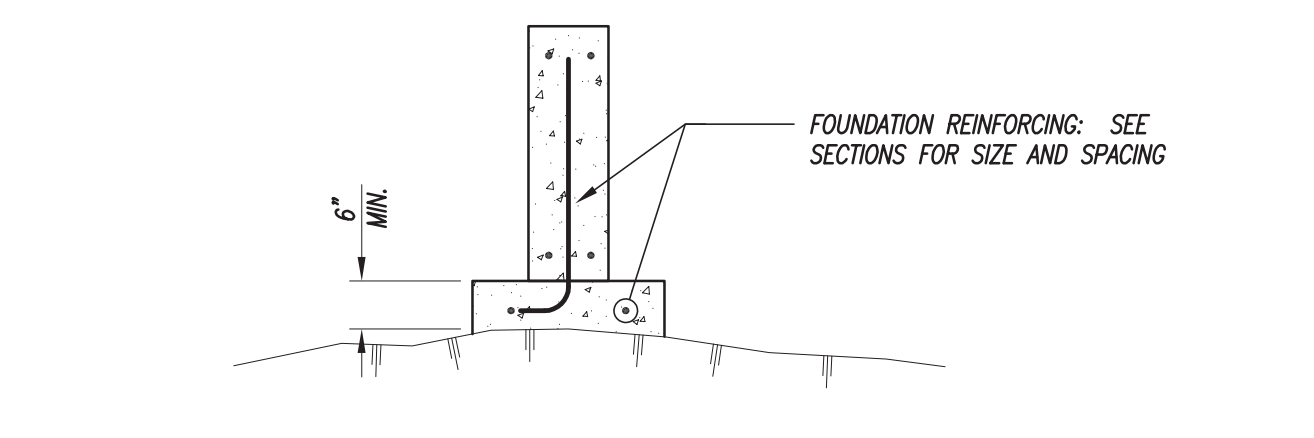
This drawing is an instrument of professional service, and shall not be used, in whole or in part, for any project other than for which it was created without the express, written consent of M<sup>2</sup> Structural Engineering, P.C. Any unauthorized use, reuse, modification or alteration, including automated conversion of this document shall be at the user's sole risk without liability or legal exposure to M<sup>2</sup> Structural Engineering, P.C.



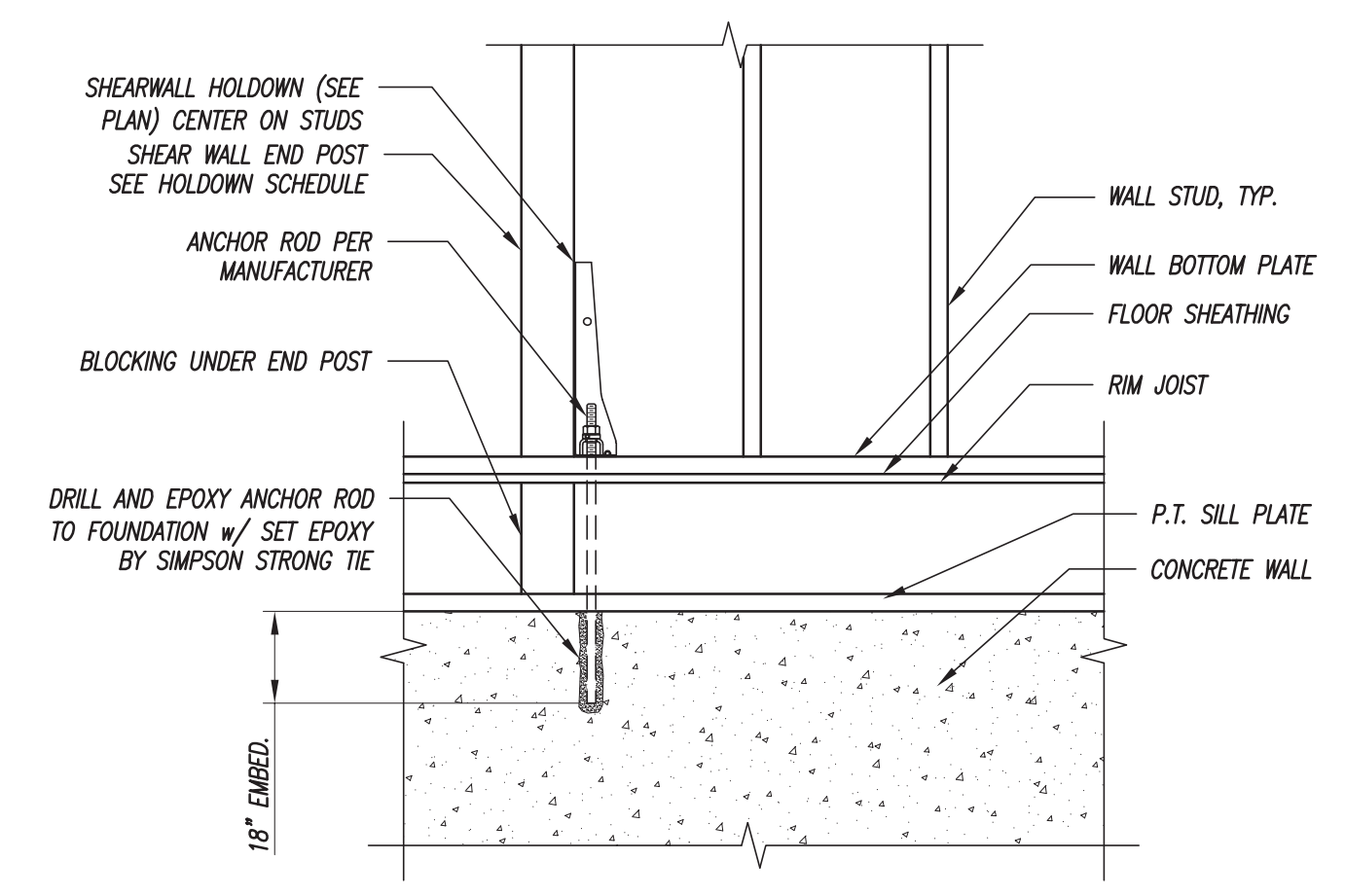
**1 SECTION**  
1/2" = 1'-0"



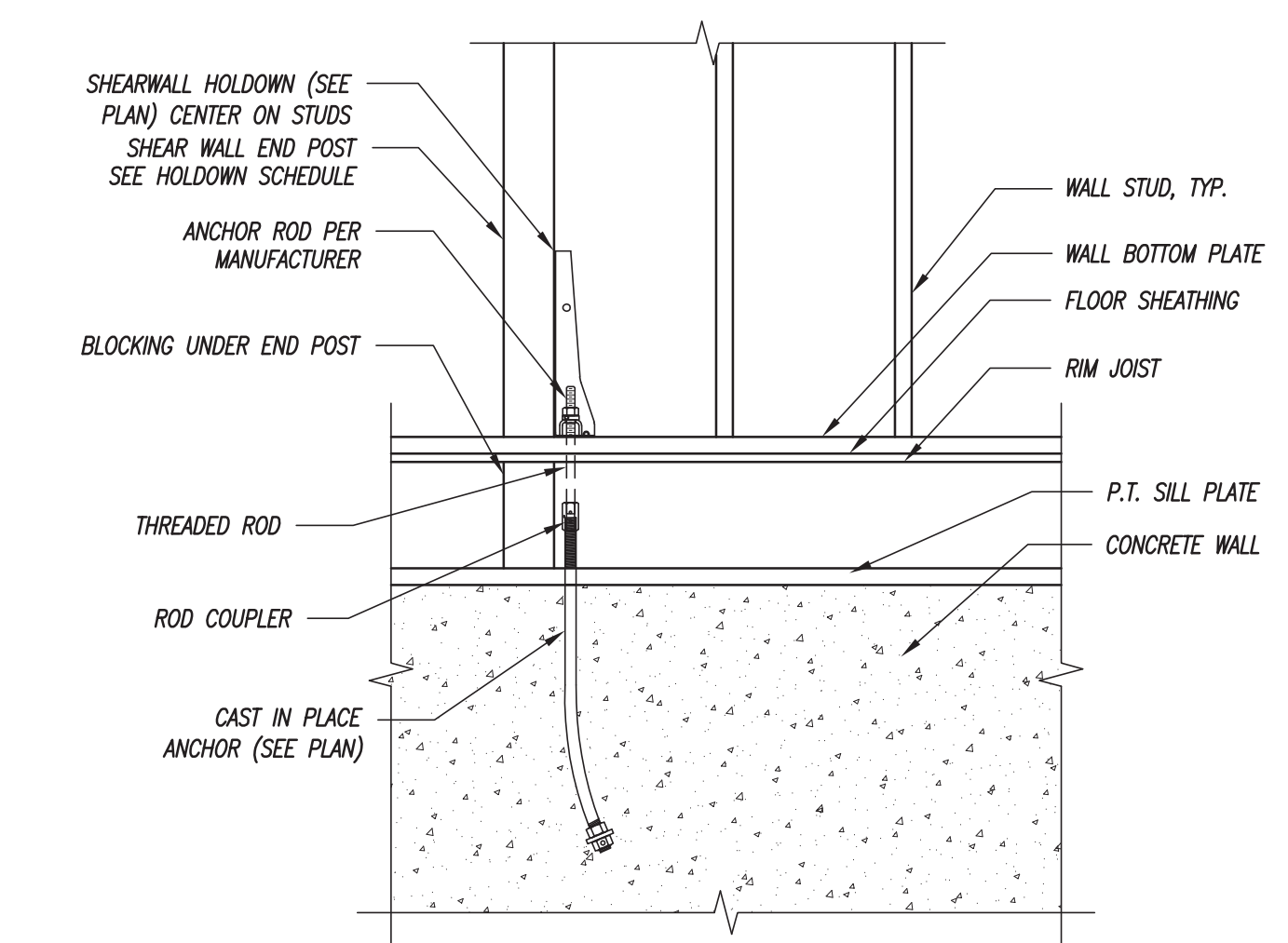
**2B TYPICAL FOUNDATION ON SLOPED LEDGE**  
1/2" = 1'-0"



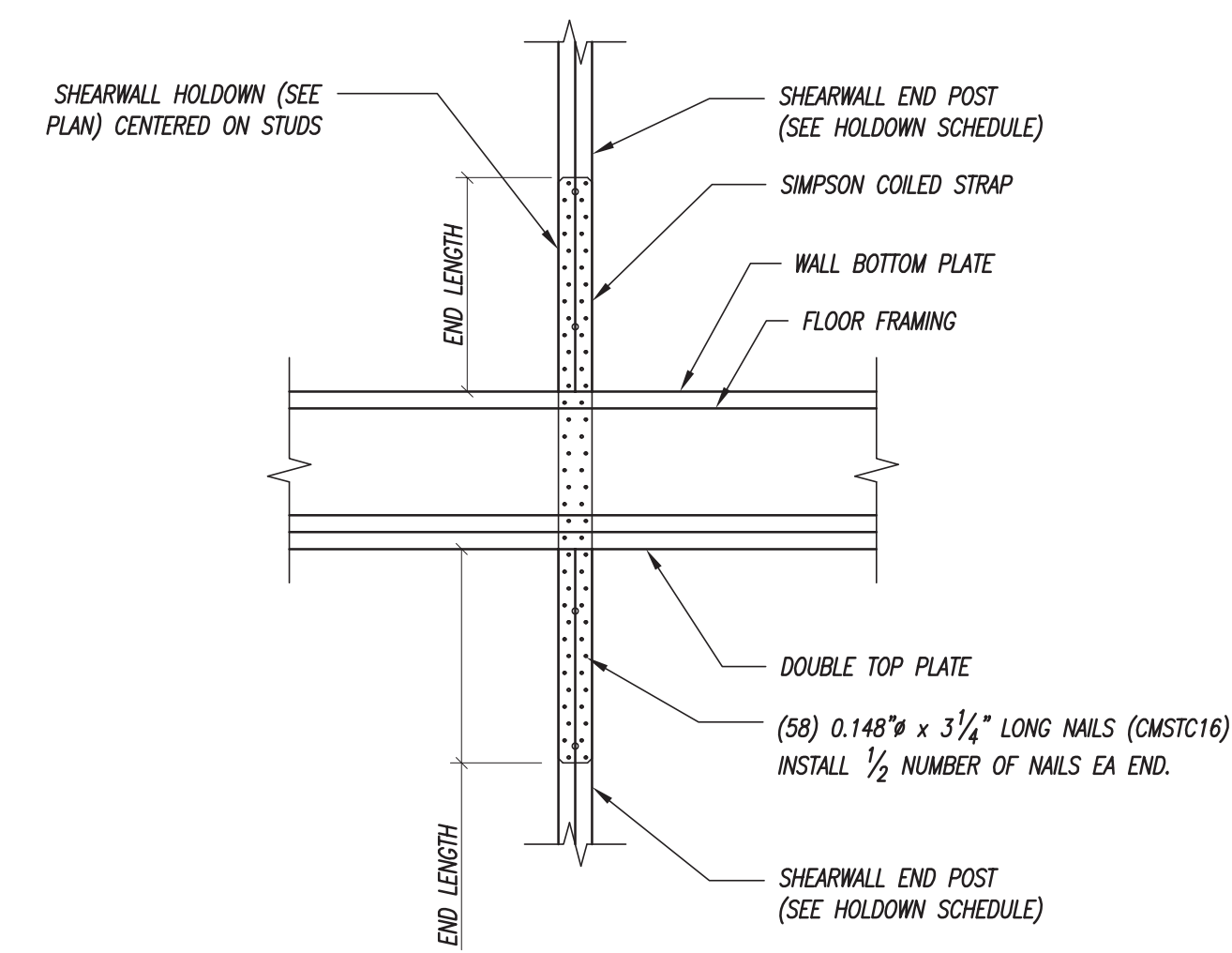
**2A TYPICAL FOUNDATION ON LEDGE**  
1/2" = 1'-0"



**3 SECTION**  
3/4" = 1'-0"

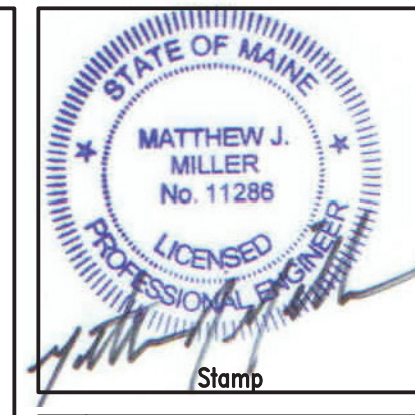


**4 SECTION**  
3/4" = 1'-0"



**5 SECTION**  
3/4" = 1'-0"

HOLDOWN SCHEDULE				
PLAN MARK	HOLDOWN	MIN. END POST	DETAIL	NOTES
HD-A	HOU5-SDS2.5	(3) 2x6	3/S7	-
HD-B	HOU14-SDS2.5	(4) 2x6	4/S7	CAST IN PLACE ANCHOR ROD REQUIRED (SEE PLAN)
HD-C	CMSTC16 COILED STRAP	(2) 2x6	5/S7	30" MIN. END LENGTH



Revisions:	No.	Date	Description

**M<sup>2</sup> STRUCTURAL ENGINEERING, P.C.**  
23 Thornbury Way  
Windham, ME 04062  
(207) 892-0983  
info@m2se.com

Client:  
**AMY FARRELL**

Sheet Title:  
**FOUNDATION SECTIONS AND DETAILS**  
Project Name:  
**FARRELL RESIDENCE  
GREAT DIAMOND ISLAND,  
PORTLAND, MAINE**

Project No: 17079  
Designed By: MJM  
Drawn By: MJM  
Checked By: MJM  
Scale: AS NOTED  
Date: 09/25/2017