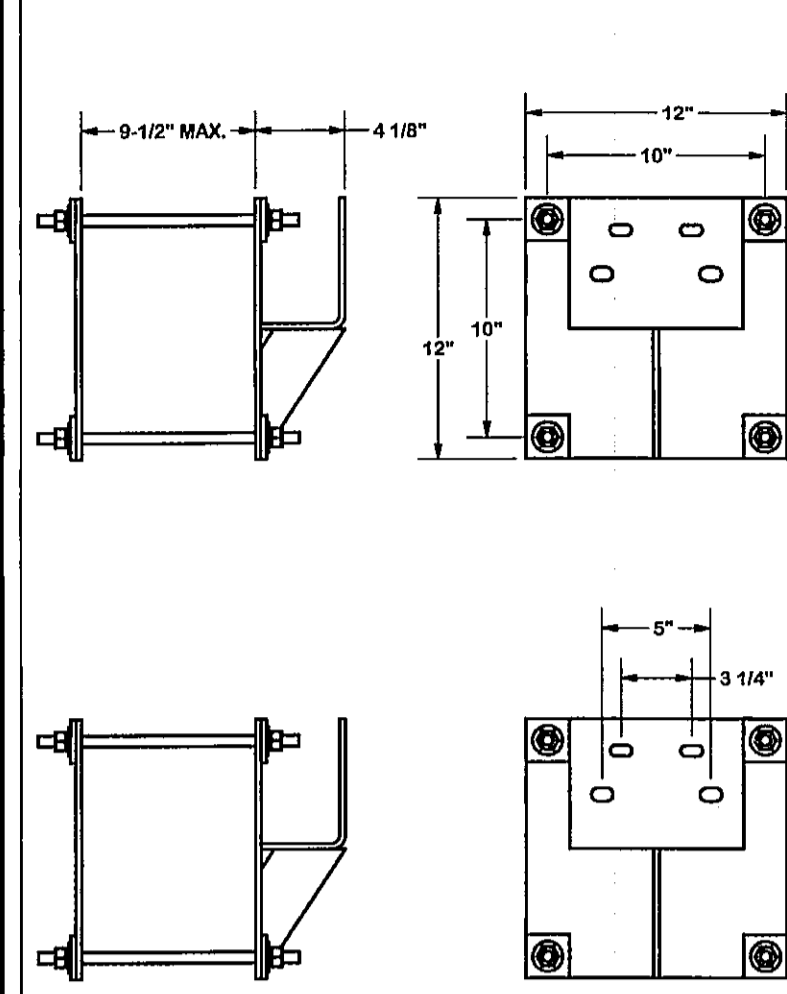
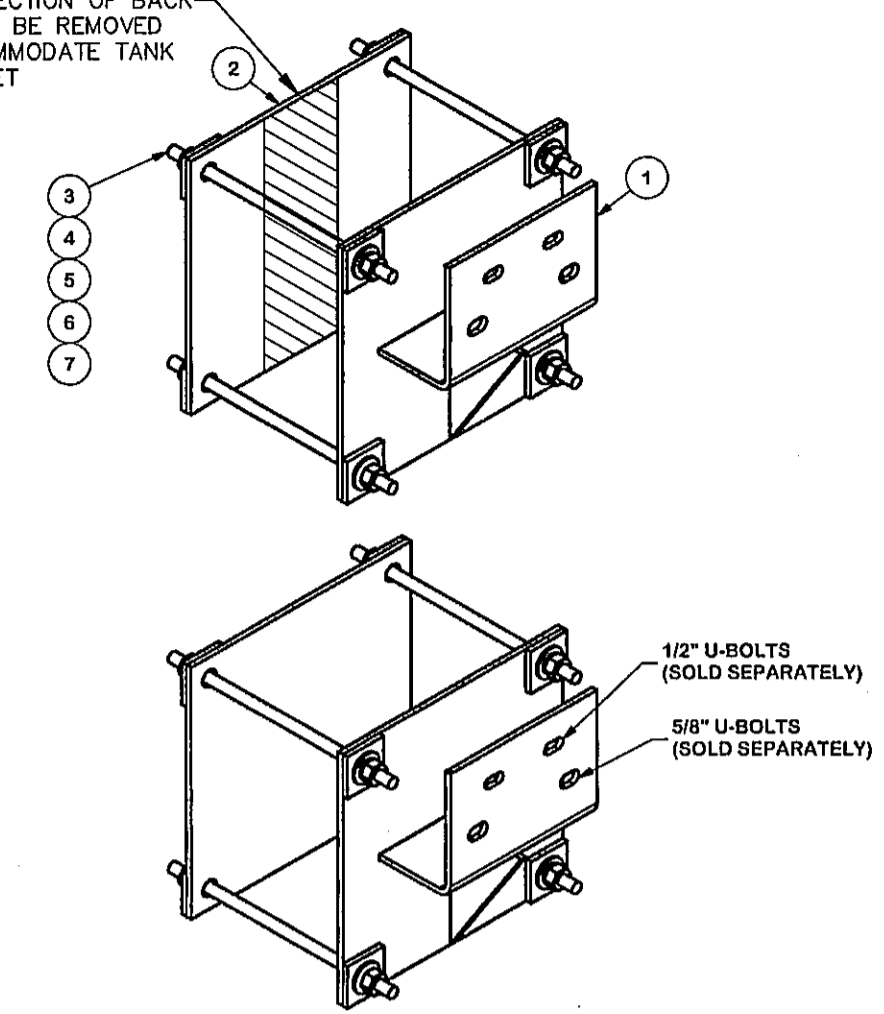


ITEM	QTY	PART NO.	PART DESCRIPTION	LENGTH	UNIT WT.	NET WT.
1	2	X-SP22	HEAVY WALL MOUNT BRACKET		16.16	32.32
2	2	SP-221BP	12" x 12" WALL MOUNT BACKING PLATE	12 in	10.10	20.19
3	8	G12R-12	1/2" x 12" THREADED ROD (HDG.)		0.35	2.81
4	16	SQW12	1/4" x 2" FLAT STOCK	2 in	0.27	4.26
5	16	G12FW	1/2" HDG USS FLATWASHER		0.03	0.55
6	14	G12LW	1/2" HDG LOCKWASHER		0.31	0.19
7	16	G12NUT	1/2" HDG HEAVY 2H HEX NUT		0.07	1.15
					TOTAL WT. #	64.01



MIDDLE SECTION OF BACK PLATE TO BE REMOVED TO ACCOMMODATE TANK Z BRACKET

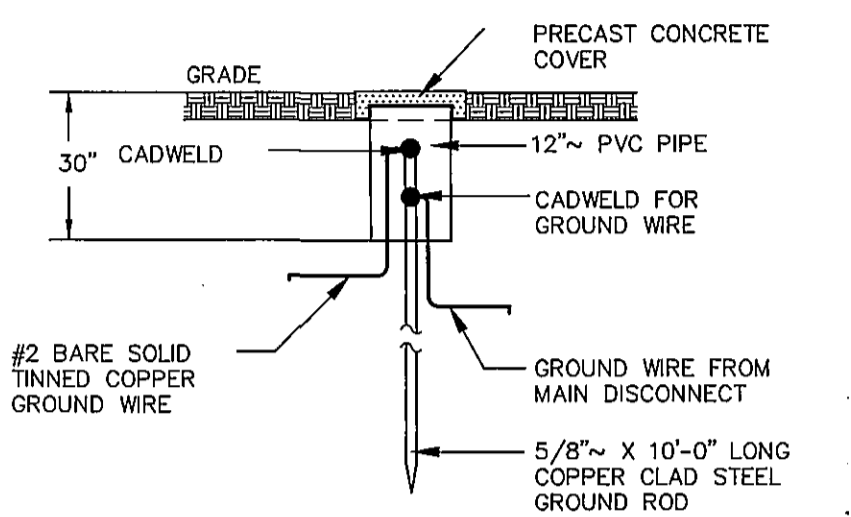


**TOLERANCE NOTES**  
 TOLERANCES ON DIMENSIONS, UNLESS OTHERWISE NOTED ARE:  
 SAWS, SHEARED AND GAS CUT EDGES (± 0.030")  
 DRILLED AND GAS CUT HOLES (± 0.030") - NO CONING OF HOLES  
 LASER CUT EDGES AND HOLES (± 0.010") - NO CONING OF HOLES  
 BENDS ARE ± 1/2 DEGREE  
 ALL OTHER MACHINING (± 0.030")  
 ALL OTHER ASSEMBLY (± 0.060")

DESCRIPTION	HOLLOW WALL KIT		
CPD NO.	DRAWN BY	ENG. APPROVAL	PART NO.
81 01	CEK	5/25/2011	SP221
CLASS	DRAWING USAGE	CHECKED BY	DWG. NO.
B1	CUSTOMER	BMC	8/2/2011
			1 OF 1

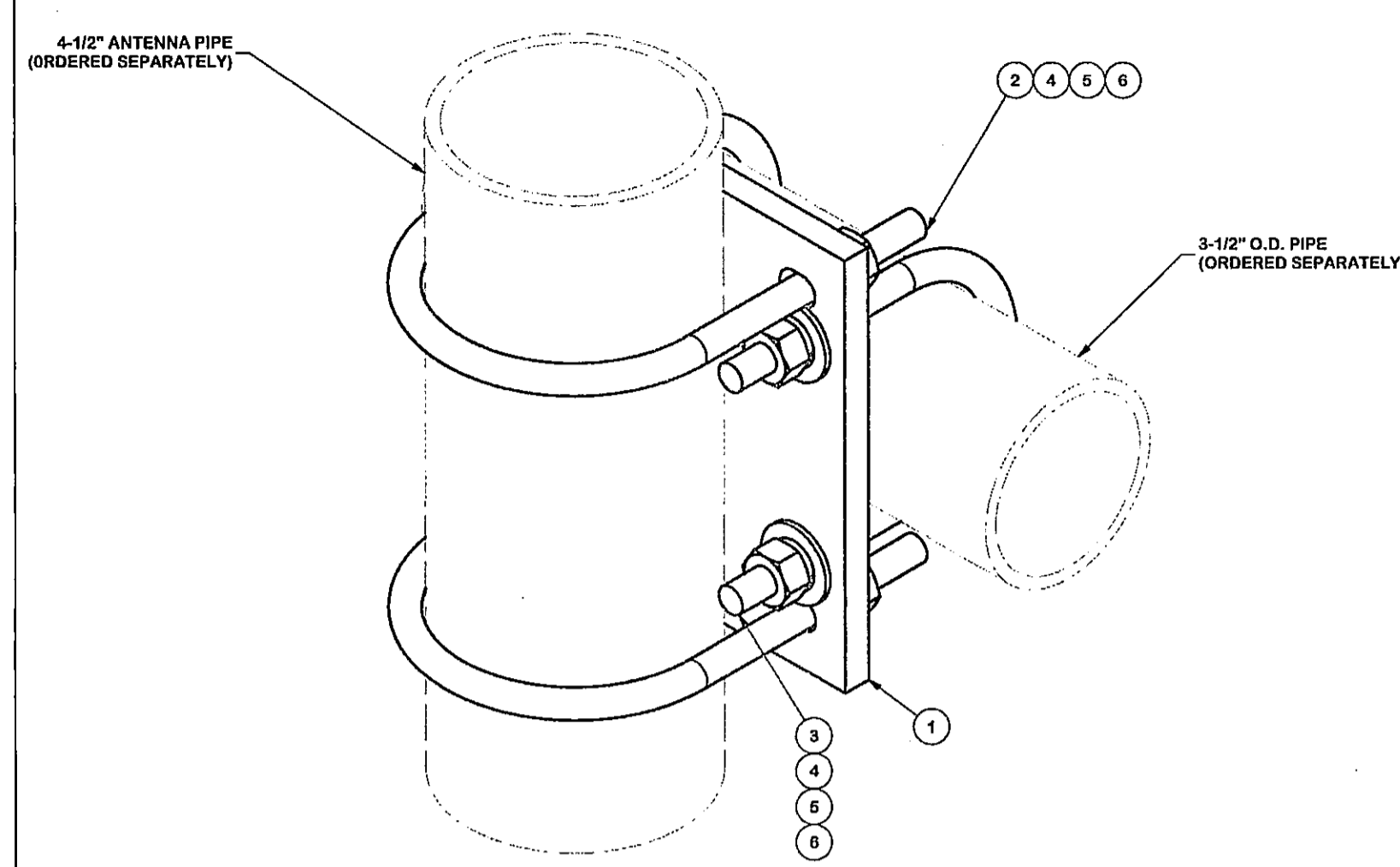
**GENERAL NOTES:**

- THE TYPE DIMENSIONS, MOUNTING HARDWARE, AND POSITIONS OF ALL EQUIPMENT FOR THE REDZONE WIRELESS INSTALLATION ARE SHOWN IN ILLUSTRATED FASHION. THESE DRAWINGS ARE NOT INTENDED FOR CONSTRUCTION ACTUAL HARDWARE DETAILS AND FINAL LOCATIONS MAY DIFFER SLIGHTLY FROM WHAT IS SHOWN.
- THE REDZONE WIRELESS EQUIPMENT CONSISTS OF AN UNMANNED PRIVATE AND SECURED EQUIPMENT INSTALLATION IT IS ONLY ACCESSED BY TRAINED TECHNICIANS FOR PERIODIC ROUTINE MAINTENANCE AND THEREFORE DOES NOT REQUIRE ANY WATER OR SANITARY SEWER SERVICE. THE FACILITY IS NOT GOVERNED BY REGULATIONS REQUIRING PUBLIC ACCESS PER ADA REQUIREMENTS.
- THE DESIGN OF THE EQUIPMENT CABINET, FOUNDATION AND ANTENNA MOUNTING HARDWARE WILL MEET THE ANSI/EIA/71A-222-F STANDARDS FOR STRUCTURAL STEEL ANTENNA SUPPORTING STRUCTURES AND STATE BUILDING CODE REQUIREMENTS DETAILED CONSTRUCTION DRAWINGS WILL BE PREPARED BY A REGISTERED PROFESSIONAL ENGINEER AND SUBMITTED WITH A BUILDING PERMIT APPLICATION FOR REVIEW AND APPROVAL BY THE LOCAL BUILDING CODE ENFORCEMENT OFFICIAL.
- THE PLAN DRAWINGS ARE INTENDED TO PROVIDE THE OWNER AND CONTRACTOR WITH SITING INFORMATION OF REDZONE WIRELESS PROPOSED CABINET EQUIPMENT AND ASSOCIATED APPURTENANCES FOR THE OPERATION OF A WIRELESS TELECOMMUNICATION FACILITY. THE PLANS ARE FOR LAYOUT AND SITE CONSTRUCTION PURPOSES AND ARE INDEPENDENT OF ANY REQUIRED ELECTRICAL, STRUCTURAL OR RADIO FREQUENCY REPORTS/FINDINGS WHICH MAY BE REQUIRED TO ACQUIRE LOCAL, STATE OR FEDERAL PERMITS OR REGISTRATIONS.



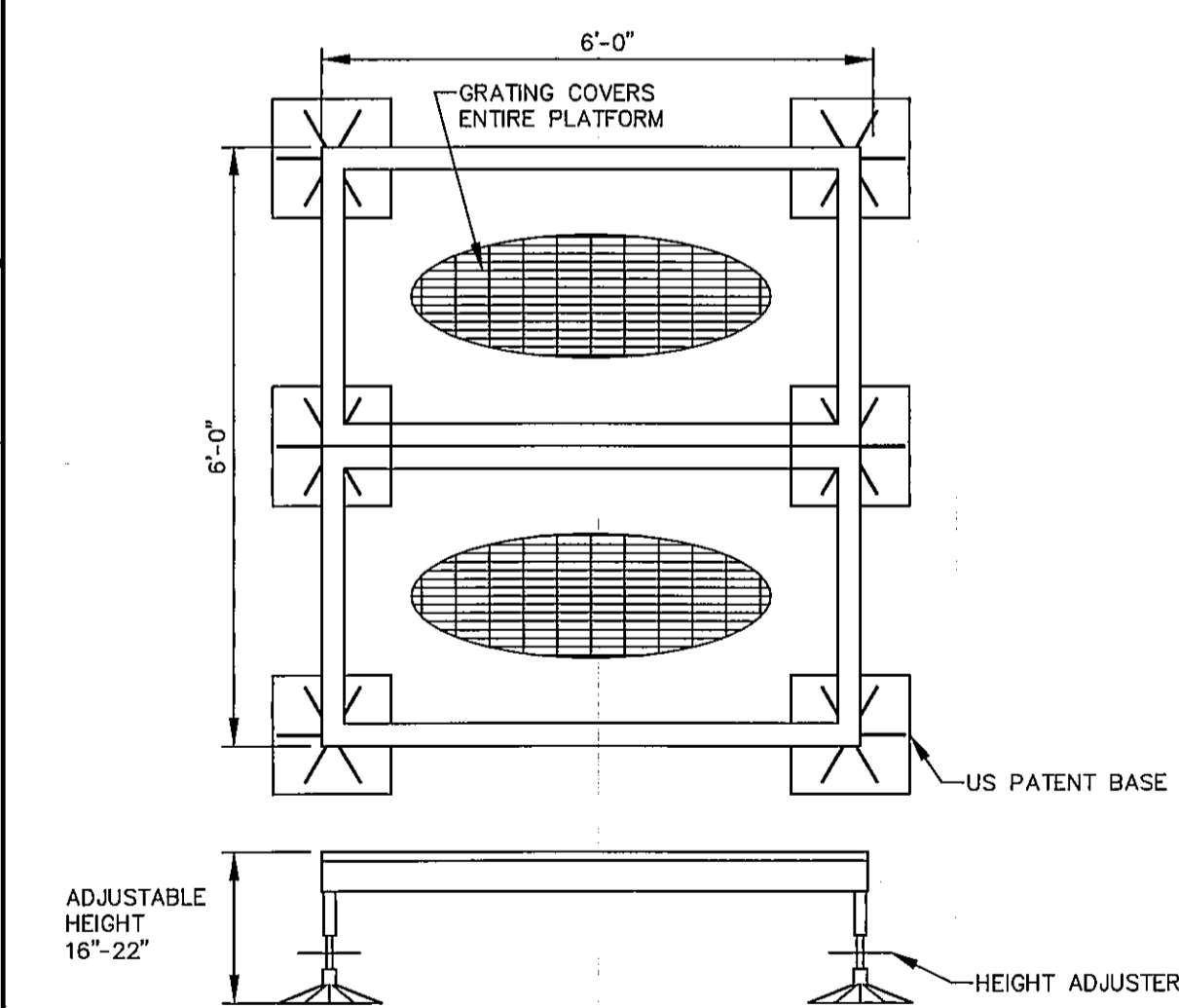
**GROUND ROD INSPECTION WELL**  
NOT TO SCALE

ITEM	QTY	PART NO.	PART DESCRIPTION	LENGTH	UNIT WT.	NET WT.
1	1	SCX7	CROSSOVER PLATE	8 in	7.55	7.55
2	2	X-UB1458	1/2" X 4-5/8" X 7" X 3" U-BOLT (HDG.)		0.66	1.31
3	2	X-UB1358	1/2" X 3-5/8" X 5-1/2" X 3" U-BOLT (HDG.)		0.33	0.27
4	8	G12FW	1/2" HDG USS FLATWASHER		0.01	0.11
5	8	G12LW	1/2" HDG LOCKWASHER		0.07	0.57
6	8	G12NUT	1/2" HDG HEAVY 2H HEX NUT		0.07	0.57
					TOTAL WT. #	11.98



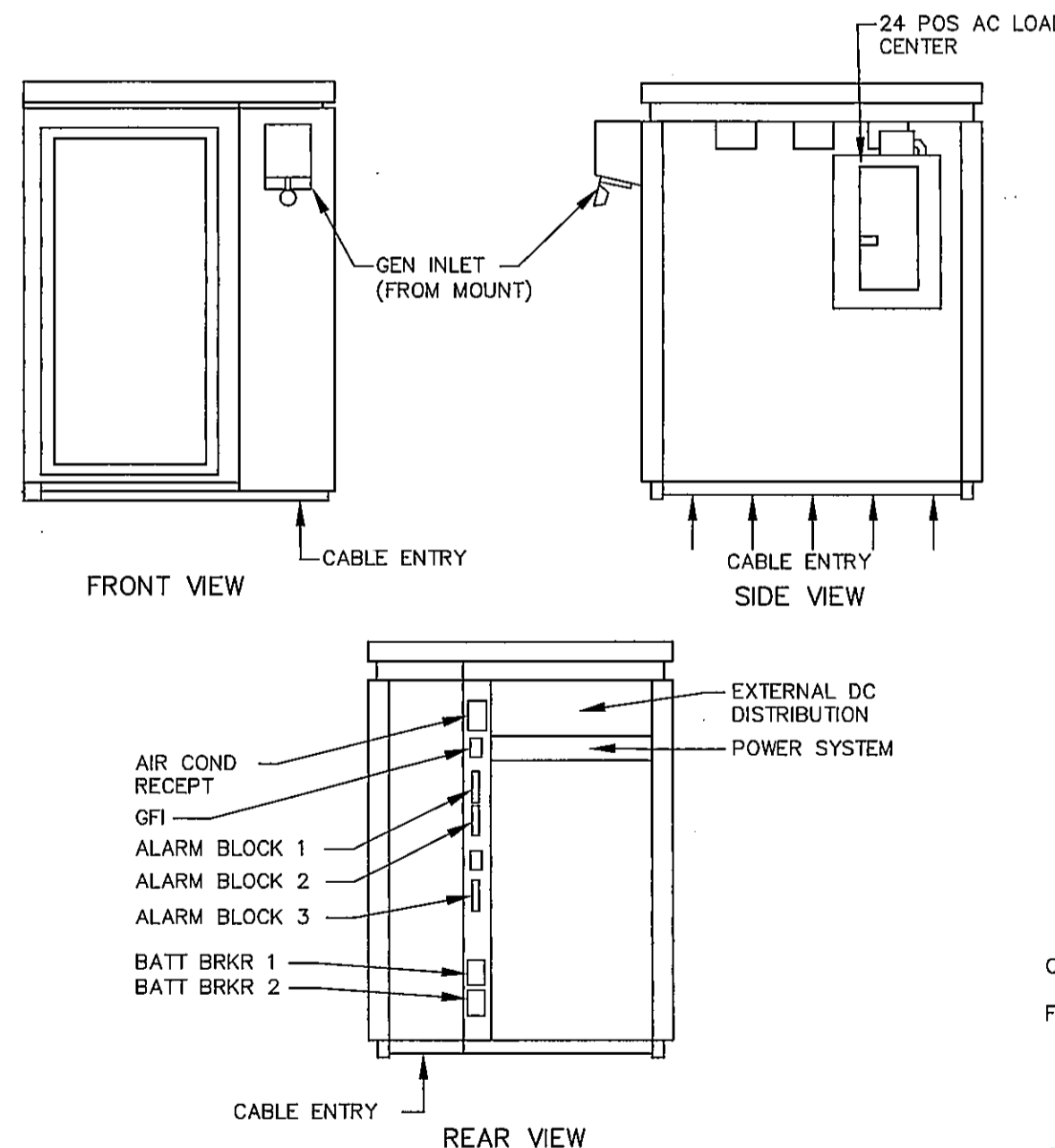
**TOLERANCE NOTES**  
 TOLERANCES ON DIMENSIONS, UNLESS OTHERWISE NOTED ARE:  
 SAWS, SHEARED AND GAS CUT EDGES (± 0.030")  
 DRILLED AND GAS CUT HOLES (± 0.030") - NO CONING OF HOLES  
 LASER CUT EDGES AND HOLES (± 0.010") - NO CONING OF HOLES  
 BENDS ARE ± 1/2 DEGREE  
 ALL OTHER MACHINING (± 0.030")  
 ALL OTHER ASSEMBLY (± 0.060")

DESCRIPTION	CROSSOVER PLATE		
CPD NO.	DRAWN BY	ENG. APPROVAL	PART NO.
81 01	CEK	9/23/2010	SCX7-K
CLASS	DRAWING USAGE	CHECKED BY	DWG. NO.
B1	CUSTOMER	BMC	10/8/2010
			1 OF 1



**6'x6' MODULAR PLATFORM**  
NOT TO SCALE

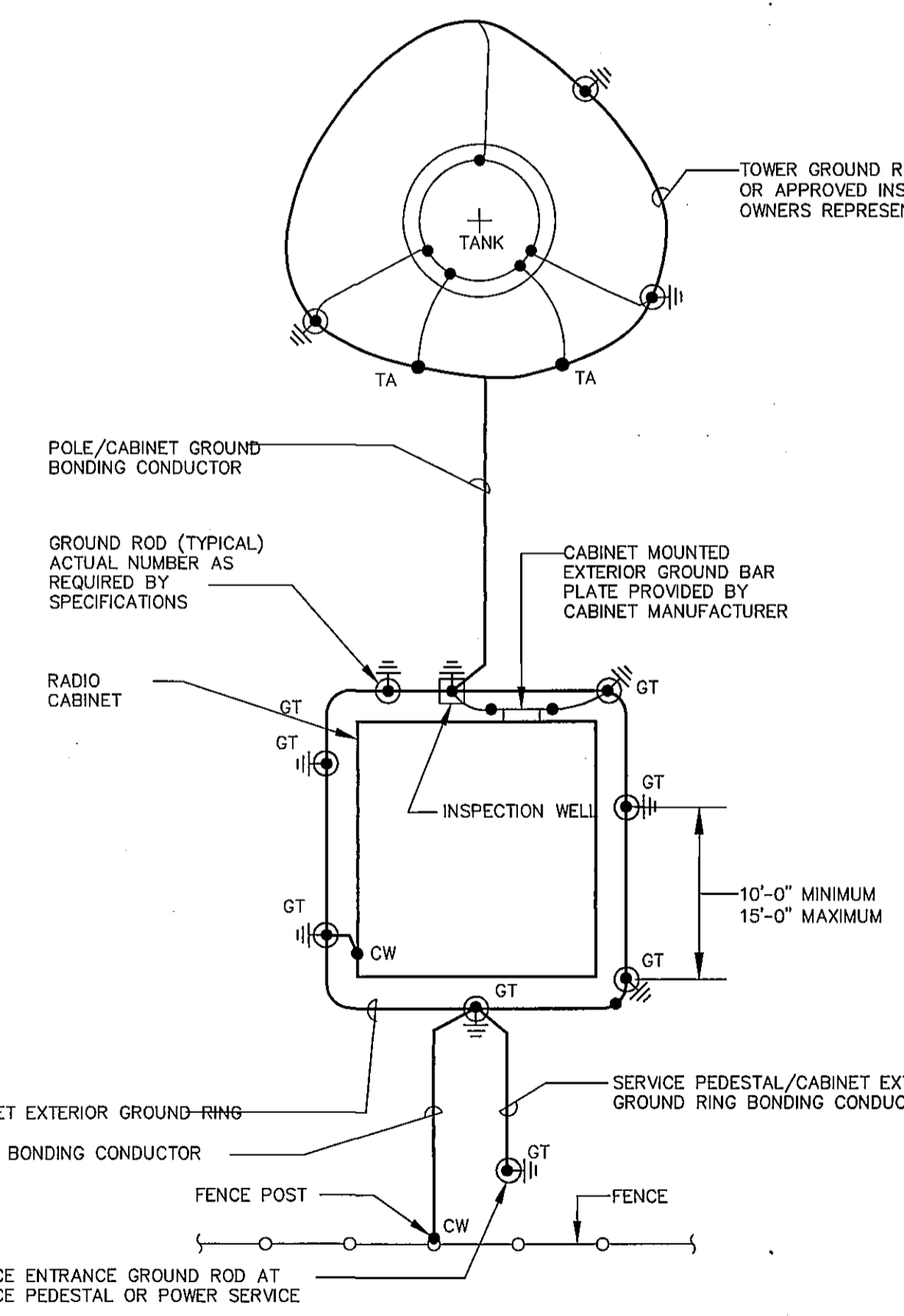
- PRODUCT OF USS, INC. (USS-006-012-9-MP)  
**MANUFACTURER'S NOTES**
- ALL STEEL IS HOT-DIPPED GALVANIZED AFTER FABRICATION. EXCLUDING THE STAINLESS HEIGHT ADJUSTER.
  - MODULAR FRAME IS CONSTRUCTED OF 3"x3"x1/4" STRUCTURAL ANGLE STEEL.
  - US PATENT BASES ARE 12" SQUARE AND AN ELEVATED CENTER HUB FOR WEIGHT DISPERSION.
  - PLATFORM HEIGHT IS ADJUSTABLE FROM 16" TO 22".



**NETXTEND 31.5"Wx35.5"Dx63.6"H**

**EQUIPMENT LAYOUT**

NOT TO SCALE  
 PRODUCT OF ALCATEL-LUCENT (9929 MT-BTS)



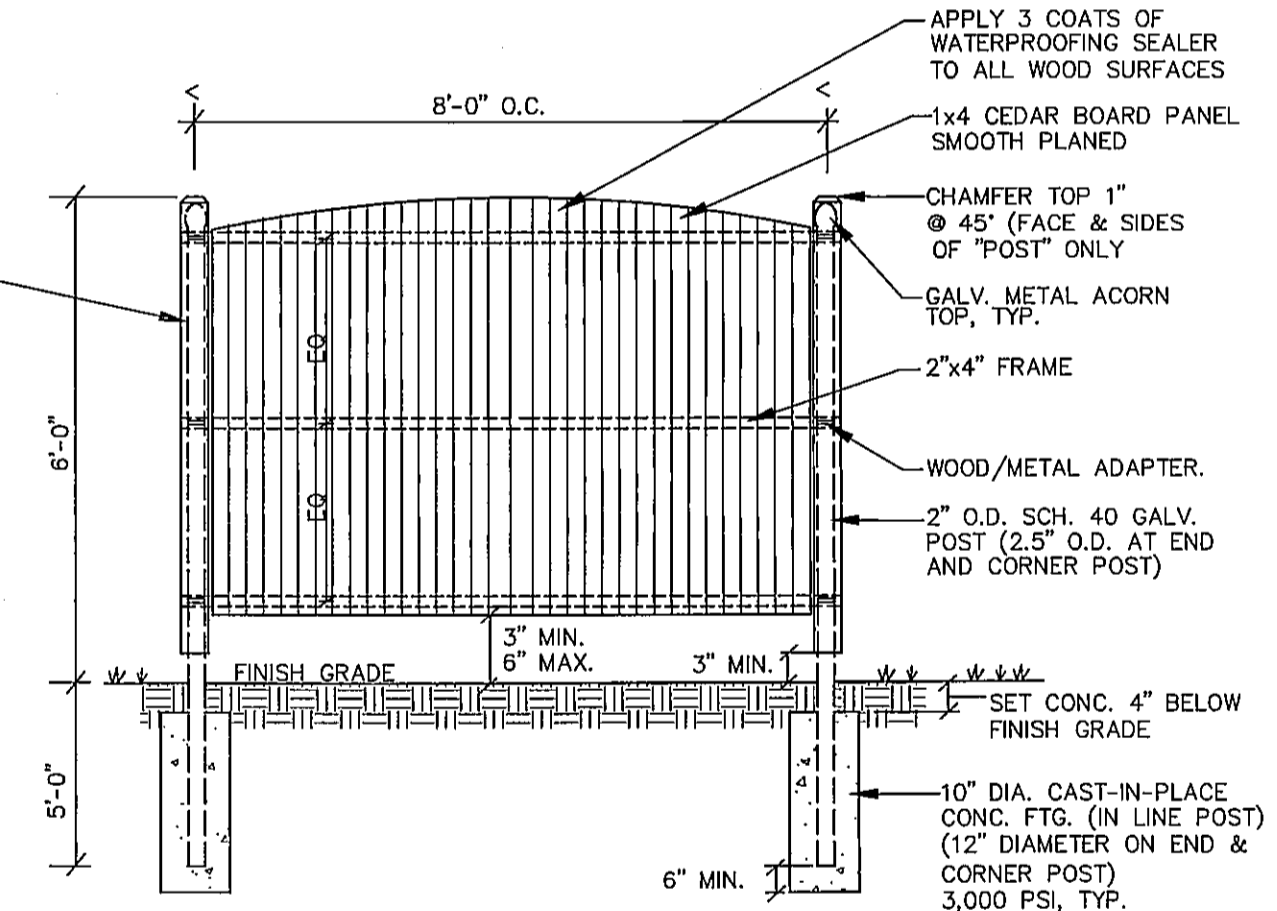
**TYPICAL GROUNDING SCHEMATIC LAYOUT**  
NOT TO SCALE

**GROUNDING LEGEND**

SYMBOL	DESCRIPTION
CW	CAD WELD
TA	CABLE TO CABLE "T" MOUNT
GT	CABLE TO GROUND ROD "T" MOUNT
(Symbol)	GROUND ROD W/CABLE CONNECTION
(Symbol)	# 2 SOLID TINNED COPPER WIRE 2; BELOW FINISH GRADE
(Symbol)	CAD WELD TYPE CONNECTION
(Symbol)	GROUND BAR COUNTERPOISE INSPECTION PIT

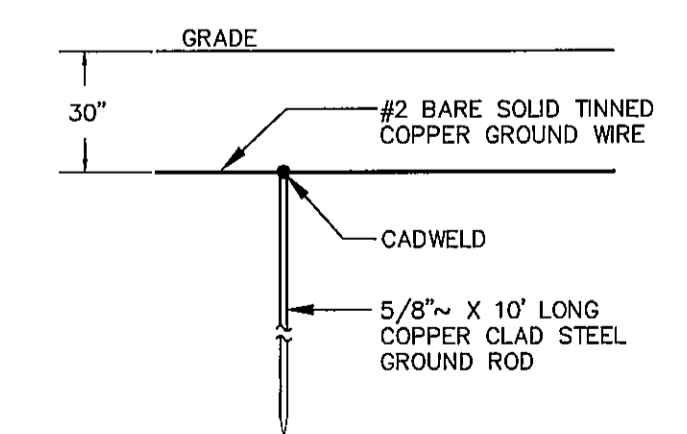
**GROUNDING NOTES**

- ALL DETAILS SHOWN FOR SCHEMATIC ONLY. ACTUAL GROUNDING INSTALLATION AND CONSTRUCTION MAY VARY DUE TO SITE SPECIFIC CONDITIONS.
- CONTRACTOR SHALL VERIFY WITH NORTHEAST WIRELESS THE SPECIFIC GROUNDING SYSTEM APPROPRIATE FOR THE SITE BASED ON BEDROCK DEPTH AND SOIL CONDITIONS. THE CONTRACTOR SHALL USE ONE OF THESE SYSTEMS:  
 A. COPPER GROUND ROD SYSTEM.  
 B. COPPER PLATE GROUND SYSTEM.  
 C. CHEMICAL GROUNDING ROD SYSTEM.
- ALL EXTERIOR GROUNDING AND TOP OF GROUNDING RODS SHALL BE BURIED TO A MINIMUM DEPTH OF 4.5 FEET BELOW FINISH GRADE, WITH THE EXCEPTION OF THE ELECTRIC METER GROUNDING ROD.
- ALL GROUNDING CONDUCTORS EXTENDING UNDERGROUND SHALL BE #2 SOLID TINNED COPPER.
- GROUND SYSTEM MUST BE TESTED AND SHALL HAVE A RESISTANCE OF 5 OHMS OR LESS. SUBMIT AN "INDEPENDENT FALL POTENTIAL" TESTING REPORT.
- NOTIFY NORTHEAST WIRELESS IF THERE ARE ANY DIFFICULTIES INSTALLING GROUNDING SYSTEM DUE TO SITE SOIL CONDITIONS.
- CHEMICAL GROUNDINGS SHALL BE XT, CHEM-ROD OR APPROVED EQUAL WHEN REQUIRED.
- ALL UNDERGROUND GROUNDING CONNECTORS ARE TO BE CADWELDED. ABOVE GRADE GROUNDING SHALL BE EITHER CADWELDED OR MECHANICAL AS SPECIFIED ON DRAWINGS.
- ALL GROUNDINGS ARE TO BE INSTALLED A MINIMUM OF 2'-0" FROM SHELTER OR TOWER.



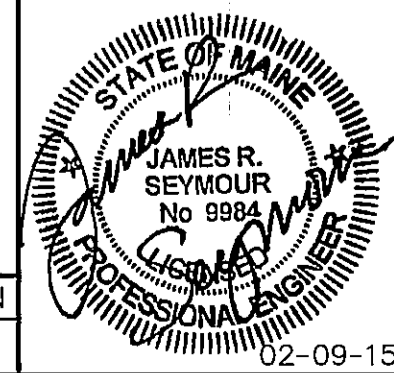
**6' WOOD SCREEN FENCE**  
NOT TO SCALE

- NOTES:**
- ALL METAL FASTENERS SHALL BE HOT DIPPED GALVANIZED
  - FACE FENCE TOWARD PARKING LOT
  - ALL WOOD SHALL BE NO. 1 GRADE
  - SUBMIT SHOP DRAWING ON FENCE SYSTEM



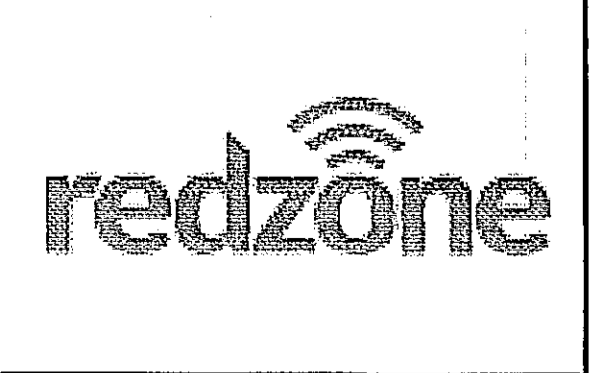
**GROUNDING ROD**  
NOT TO SCALE

**SEBAGO TECHNICS**  
 WWW.SEBAGOTECHNICS.COM  
 75 John Roberts Rd. Suite 1A  
 South Portland, ME 04106  
 Tel. 207-200-2100



REV.	BY:	DATE:	STATUS:
C	JRS	02-09-15	ISSUED FOR PERMITTING APPROVALS
B	JRS	02-06-15	REVISED PER CLIENT COMMENTS
A	JRS	02-03-15	ISSUED TO CLIENT

THIS PLAN SHALL NOT BE MODIFIED WITHOUT WRITTEN PERMISSION FROM SEBAGO TECHNICS, INC. ANY ALTERATIONS, AUTHORIZED OR OTHERWISE, SHALL BE AT THE USER'S SOLE RISK AND WITHOUT LIABILITY TO SEBAGO TECHNICS, INC.



**REDZONE WIRELESS, LLC**  
 413 MAIN STREET  
 P.O. BOX 435  
 ROCKLAND, MAINE 04841  
 TEL: (207) 596-5700

**CONSTRUCTION DETAILS**  
 OF:  
**DIAMOND ISLAND SITE**  
 DIAMOND COVE WATER TANK  
 INGALLS ROAD  
 PORTLAND, MAINE 04104

SHEET NUMBER:  
**D-1**

SCALE	DATE
AS SHOWN	02-03-15