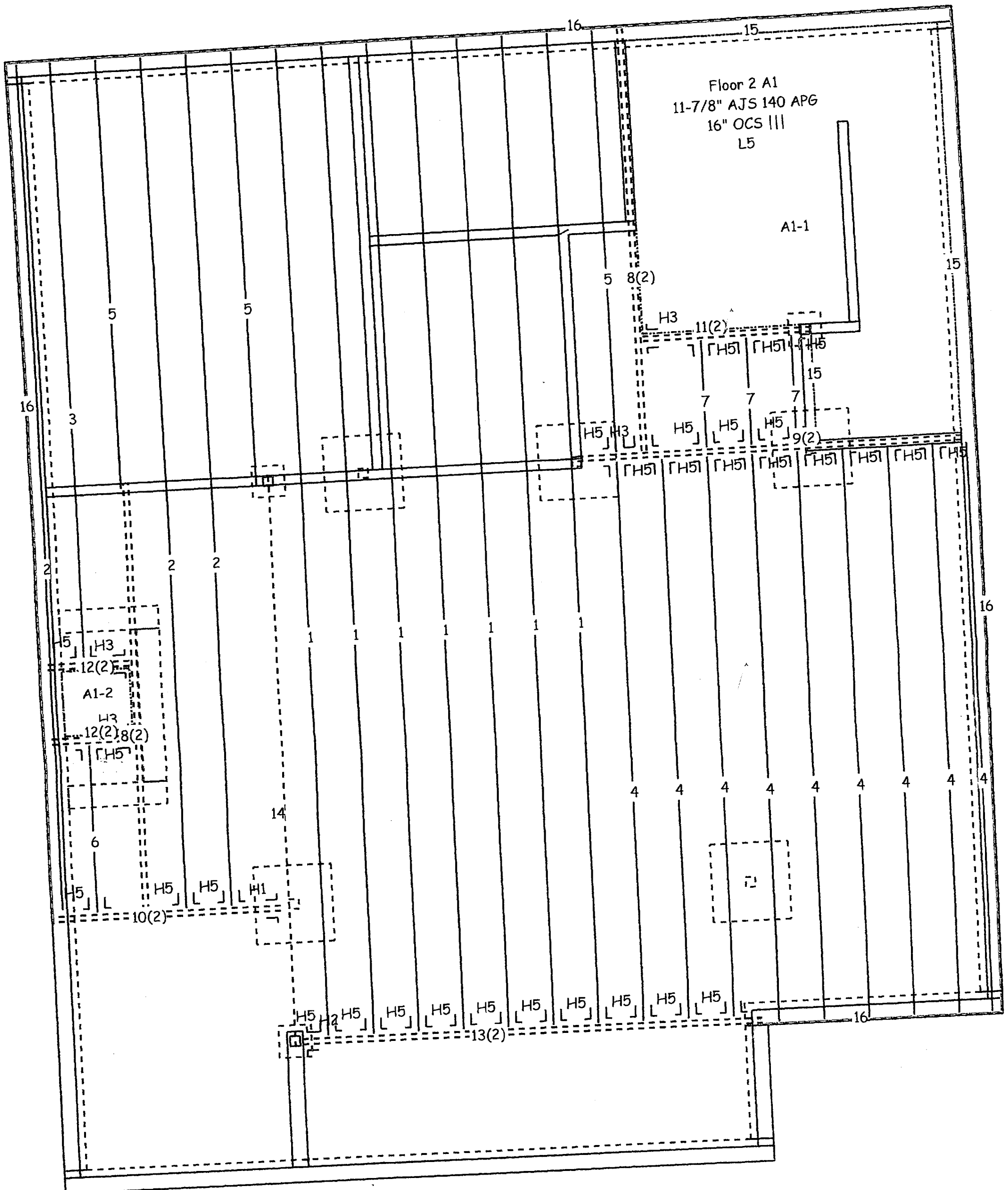


Second Floor Framing Schedule - Nominalized			
Tag	Qty	Description	Length
1	7	11-7/8" AJS™ 140 APG	30' 0"
2	3	11-7/8" AJS™ 140 APG	26' 0"
3	1	11-7/8" AJS™ 140 APG	20' 0"
4	9	11-7/8" AJS™ 140 APG	18' 0"
5	3	11-7/8" AJS™ 140 APG	14' 0"
6	1	11-7/8" AJS™ 140 APG	6' 0"
7	3	11-7/8" AJS™ 140 APG	4' 0"
8	4	1-3/4" x 11-7/8" VERSA-LAM® 3100 SF	14' 0"
9	2	1-3/4" x 11-7/8" VERSA-LAM® 3100 SF	12' 0"
10	2	1-3/4" x 11-7/8" VERSA-LAM® 3100 SF	8' 0"
11	2	1-3/4" x 11-7/8" VERSA-LAM® 3100 SF	6' 0"
12	4	1-3/4" x 11-7/8" VERSA-LAM® 3100 SF	4' 0"
13	2	1-3/4" x 16" VERSA-LAM® 3100 SP	14' 0"
14	1	5-1/2" X 11-7/8" POWERBEAM	18' 0"
15	BLK	1" x 11-7/8" BC RIM BOARD™	26' 0"
26	TL	1" x 11-7/8" BC RIM BOARD™	96' 0"

Second Floor Accessory Schedule				
Tag	Qty	Manufacturer	Product	Description
H1	1	Simpson Strong-Tie Inc.	HGUS412	3-1/2 x 11-1/4 to 18 V-Lam Face Mount
H2	1	Simpson Strong-Tie Inc.	HGUS414	3-1/2 x 14 to 20 V-Lam face Mount
H3	4	Simpson Strong-Tie Inc.	HHUS410	3-1/4 x 9-1/4 to 20 V-Lam Face Mount
H5	30	Simpson Strong-Tie Inc.	IUT312	2-1/2 x 11-1/4 to 16 Face Mount



Second Floor Framing
 $3/8" = 1'-0"$

First Floor Framing Schedule - Nominalized			
Tag	Qty	Description	Length
	12	9-1/2" AJS™ 140 APG	34' 0"
	6	9-1/2" AJS™ 140 APG	30' 0"
	3	9-1/2" AJS™ 140 APG	18' 0"
4	1	9-1/2" AJS™ 140 APG	14' 0"
i	3	9-1/2" AJS™ 140 APG	12' 0"
y	1	9-1/2" AJS™ 140 APG	10' 0"
7	1	9-1/2" AJS™ 140 APG	0' 0"
3	6	1-3/4" x 9-1/2" VERSA-LAM® 3100 SP	28' 0"
9	4	1-3/4" x 9-1/2" VERSA-LAM® 3100 SP	14' 0"
		1-3/4" x 9-1/2" VERSA-LAM® 3100 SP	8' 0"
		1-3/4" x 9-1/2" VERSA-LAM® 3100 SP	6' 0"
		9-1/2" AJS™ 140 APG	56' 0"
		1" x 9-1/2" BC RIM BOARD"	128' 0"

First Floor Accessory Schedule				
Tag	Qty	Manufacturer	Product	Description
H3	2	Simpson Strong-Tie Inc.	HHUS410	3-1/4 x 9-1/4 to 20 V-Lam Face Mount
H4	6	Simpson Strong-Tie Inc.	IUT310	2-1/2 x 9-1/2 to 14 Face Mount

REVISIONS:



NOTE:
ALL MEASUREMENTS
TO BE VERIFIED

Approved as Submitted _____
Approved as Noted _____
Devices and Description

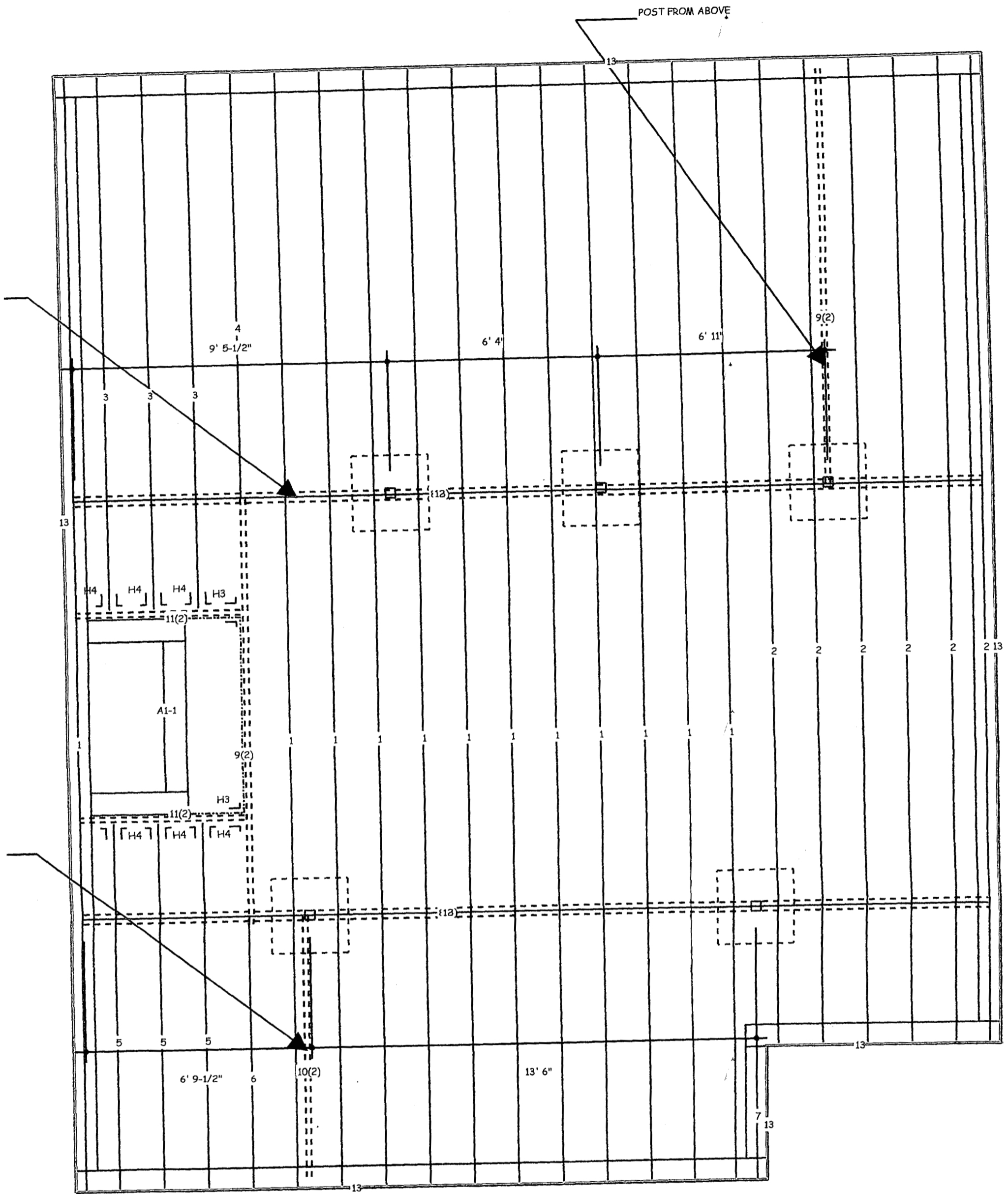
Disclaimer:
This Layout and Take-off is our interpretation of the material provided for this design. All quantities lengths and layout are to be verified by the General Contractor, Architect or Project

Design Criteria:
Floor Loading

burn
ob
ns

Second Floor Framing Schedule - Nominalized			
Tag	Qty	Description	Length
1	7	11-7/8" AJS™ 140 APG	30' 0"
2	3	11-7/8" AJS™ 140 APG	26' 0"
3	1	11-7/8" AJS™ 140 APG	20' 0"
4	9	11-7/8" AJS™ 140 APG	18' 0"
5	3	11-7/8" AJS™ 140 APG	14' 0"
6	1	11-7/8" AJS™ 140 APG	6' 0"
7	3	11-7/8" AJS™ 140 APG	4' 0"
8	4	1-3/4" x 11-7/8" VERSA-LAM® 3100 SF	14' 0"
9	2	1-3/4" x 11-7/8" VERSA-LAM@3100 SF	12' 0"
10	2	1-3/4" x 11-7/8" VERSA-LAM@3100 SF	8' 0"
11	2	1-3/4" x 11-7/8" VERSA-LAM@3100 SF	6' 0"
12	4	1-3/4" x 11-7/8" VERSA-LAMB 3100 SF	4' 0"
13	2	1-3/4" x 16" VERSA-LAM@3100 SP	14' 0"
14	1	5-1/2" X 11-7/8" POWERBEAM	18' 0"
15	BLK	1" x 11-7/8" BC RIM BOARD™	26' 0"
16	TL	1" x 11-7/8" BC RIM BOARD™	96' 0"

Tag	Qty	Manufacturer	Product	Description
H1	1	Simpson Strong-Tie Inc.	HGUS412	3-1/2 x 11-1/4 to 18 V-Lam Face Mount
H2	1	Simpson Strong-Tie Inc.	HGUS414	3-1/2 x 14 to 20 V-Lam Face Mount
H3	4	Simpson Strong-Tie Inc.	HHUS410	3-1/4 x 9-1/4 to 20 V-Lam Face Mount
H5	30	Simpson Strong-Tie Inc.	IUT312	2-1/2 x 11-1/4 to 16 Face Mount



Floor 1A1
 9-1/2" AJS 140 APG
 16" QDS III

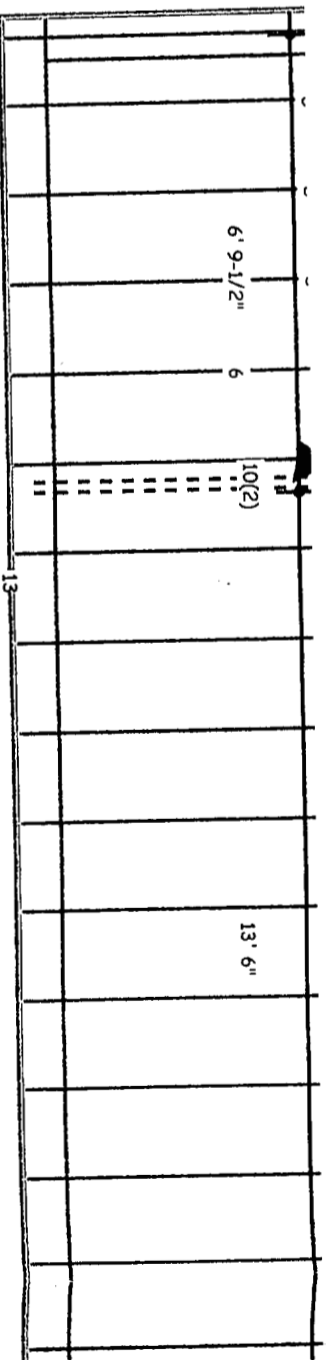
First Floor Framing

3/8" = 1'-0"

cal
 y.
 |



Do not cut, notch or drill flanges and
 do not cut flanges and web.

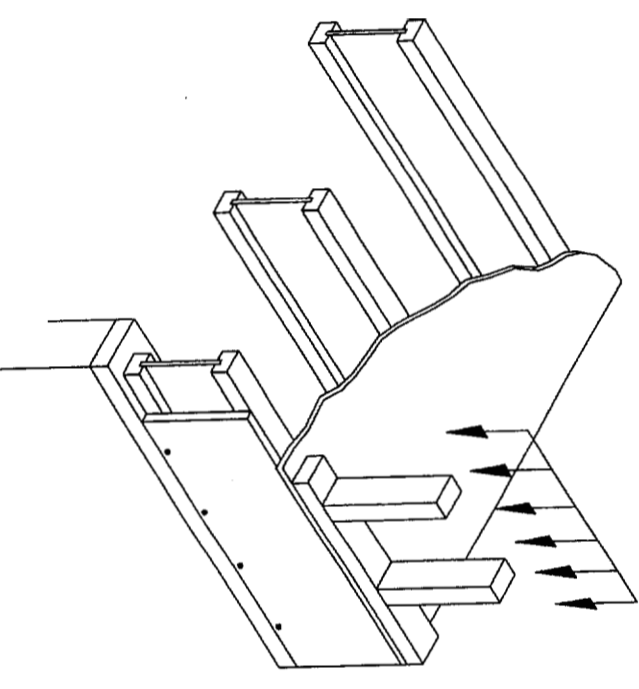


Floor 1 A1
 9-1/2" AJS 140 AP6
 16" OCS III
 L1

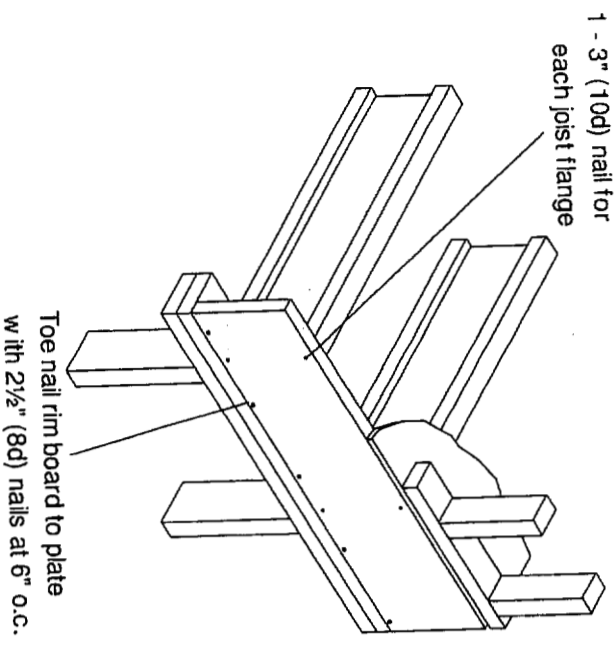
First Floor Framing

3/8" = 1'-0"

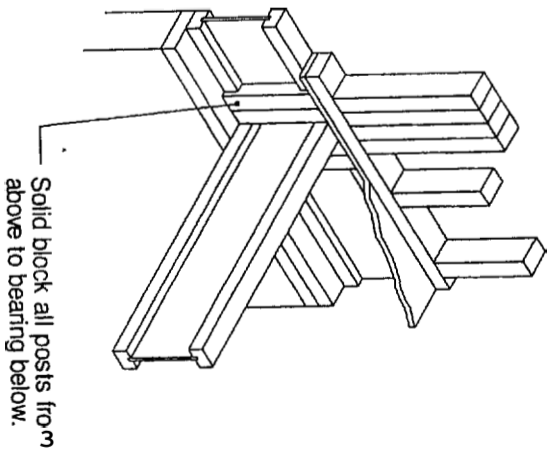
4750 lb/ft. Vertical
 Load Capacity.



F57 BCI Joist with Parallel BC-Rim Board
 N.T.S.



13-A Rim Board
 N.T.S.



F08 Post Load Transfer
 N.T.S.

DN01