

CASCO BAY ENGINEERING
 424 Fore Street
 Portland, ME 04101
 Phone 207.842.2800
 Fax 207.842.2828
www.cascobayengineering.com

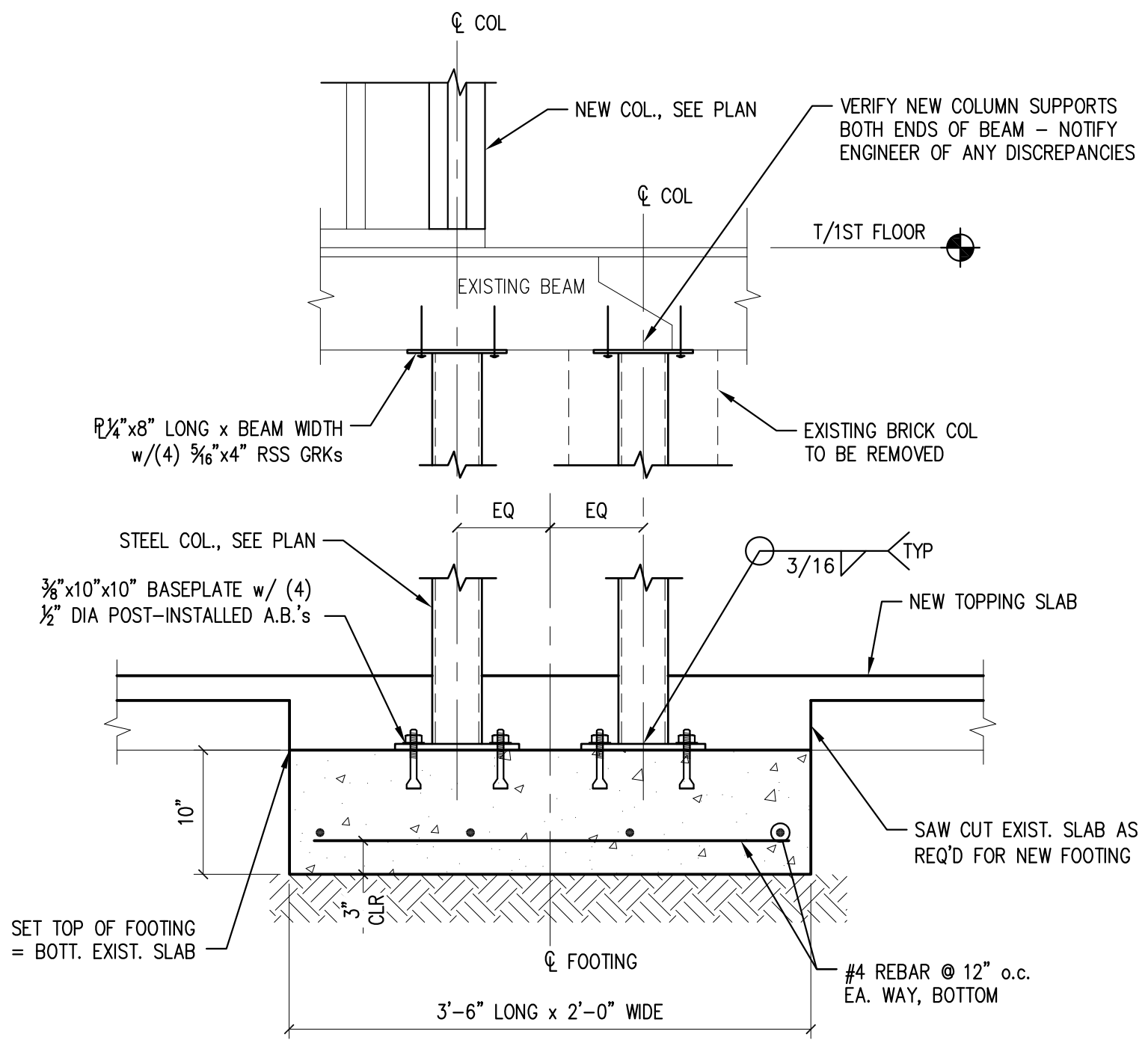
CLIENT:
NICOLE CHERBULIEZ
SETH CLAYTER
 32 ST. GEORGE STREET
 PORTLAND, ME 04103

CHERBULIEZ-CLAYTER RESIDENCE
 MAINE
 PORTLAND
 RESIDENTIAL RENOVATION

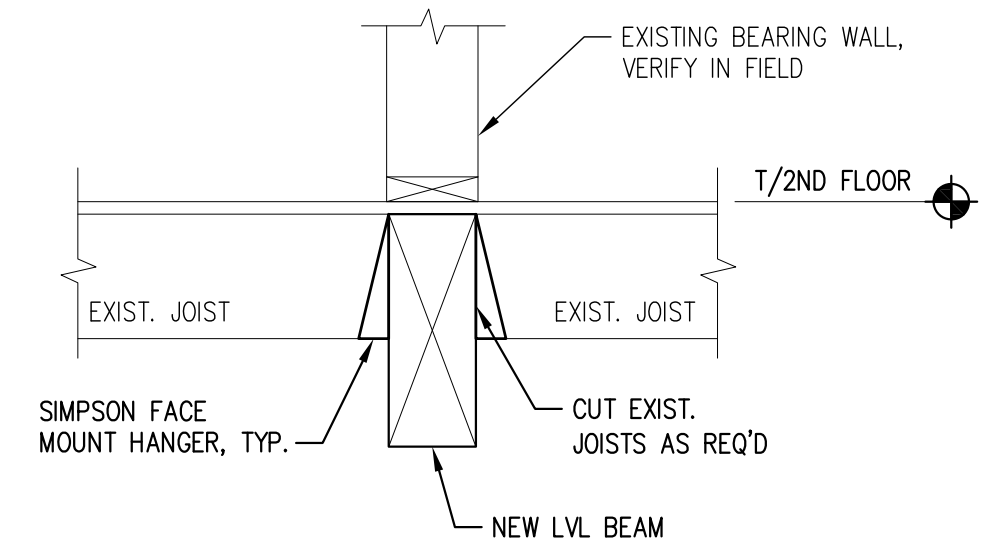
SHEET TITLE:
STRUCTURAL DETAILS

ISSUED: FOR CONSTRUCTION
 DATE: 2-9-16
 DESIGNED: TD
 DRAWN: TD
 PROJECT No: 16-002

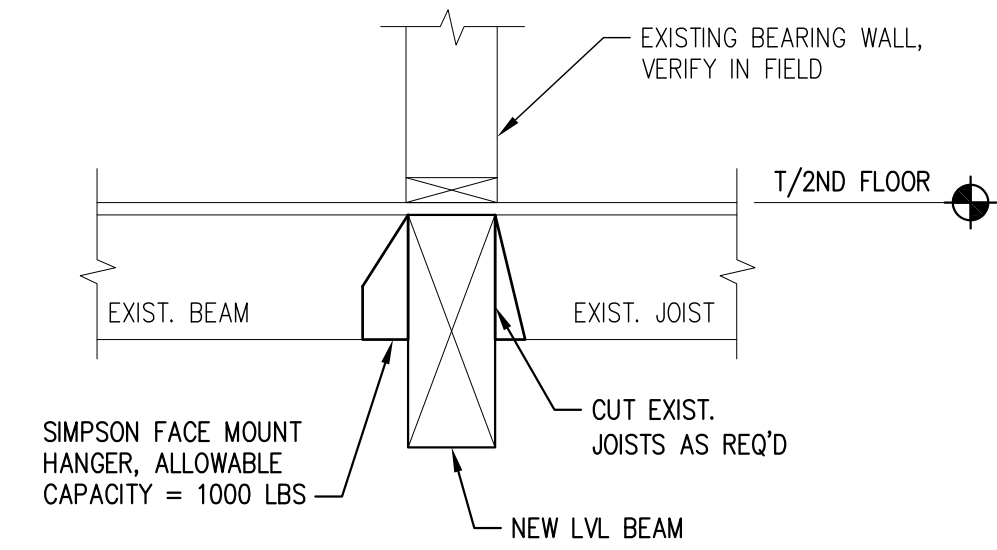
S-201



1 SECTION 1" = 1'-0"



2 SECTION 1" = 1'-0"



3 SECTION 1" = 1'-0"