

Single Digit Mouse Ear Pump No. (CAN-DIS-FCE) (CAN-120-DEC)

SIGN 3

address : 5107 Kissell Avenue
Altoona PA 16601
telephone : 814.949.8287
fax : 814.949.8293
web : blaircompanies.com

project information

client: GULF
address: Portland,ME

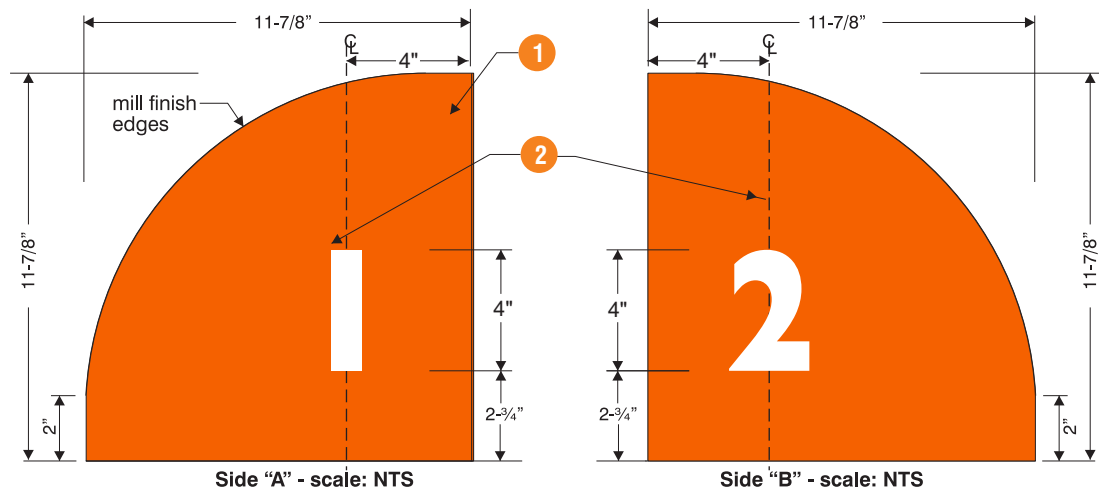
store #:
m number: 44587
date: 06/06/14
rendered: JJD
file name: GLF 44587_14
Category:

revisions

- 06.13.14;JJD: Remove Gulf Express Image of off building and MID. Put existing reader board back on MID. (Remove signs 8,9,14) Add Building sign.
- 07.17.14;JJD: Remove Logo/cloud sign, Change size of building sign dimension to 2'x6'
- 07.18.14;JJD: Remove pop building sign
-
-

These drawings are not for construction. The information contained herein is intended to express design intent only.

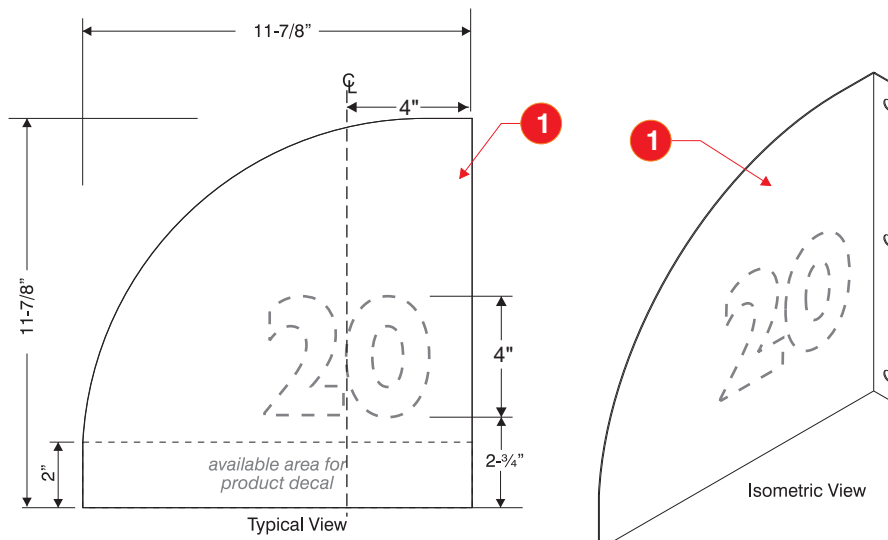
This original design is the sole property of the Blair Companies, it cannot be reproduced, copied or exhibited, in whole or part, without first obtaining written consent from the Blair Companies.



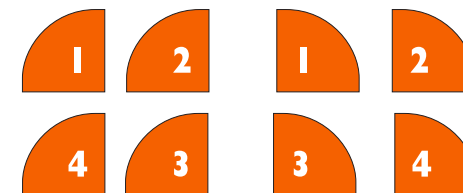
Side "A" - scale: NTS

Side "B" - scale: NTS

Front View

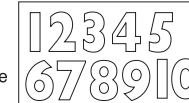


Isometric View



Provide as "decal set" - Do Not cut numbers apart

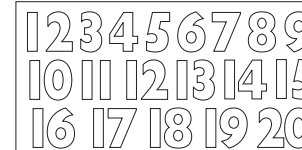
White 3M control tac vinyl
180C-10 plotter cut -
pre-mask / prep for first surface
application



Humanist 521XBD BT

Provide as "decal set" - Do Not cut numbers apart

White 3M control tac vinyl
180C-10 plotter cut -
pre-mask / prep for first surface
application



Humanist 521XBD BT

Note: provide as "orange" blanks - Numerals to be field applied

MATERIAL LIST:

- .040 aluminum (pre-finished "Alert Orange") cad cut shape with 90° bent "Mounting Tab"
- Vinyl pump numbers to be field applied

COLOR SCHEDULE

- White
- Bright Orange: PMS 165