

1 ROOF PLAN  
SCALE: 1/4" = 1'-0"



**Michael R. Charek**  
Architect

25 Hartley Street  
Portland, Maine 04103  
(207) 761-0556

**Morgan Residence**  
Renovation & Addition

140 Noyes Street  
Portland, Maine

Title  
ROOF PLAN

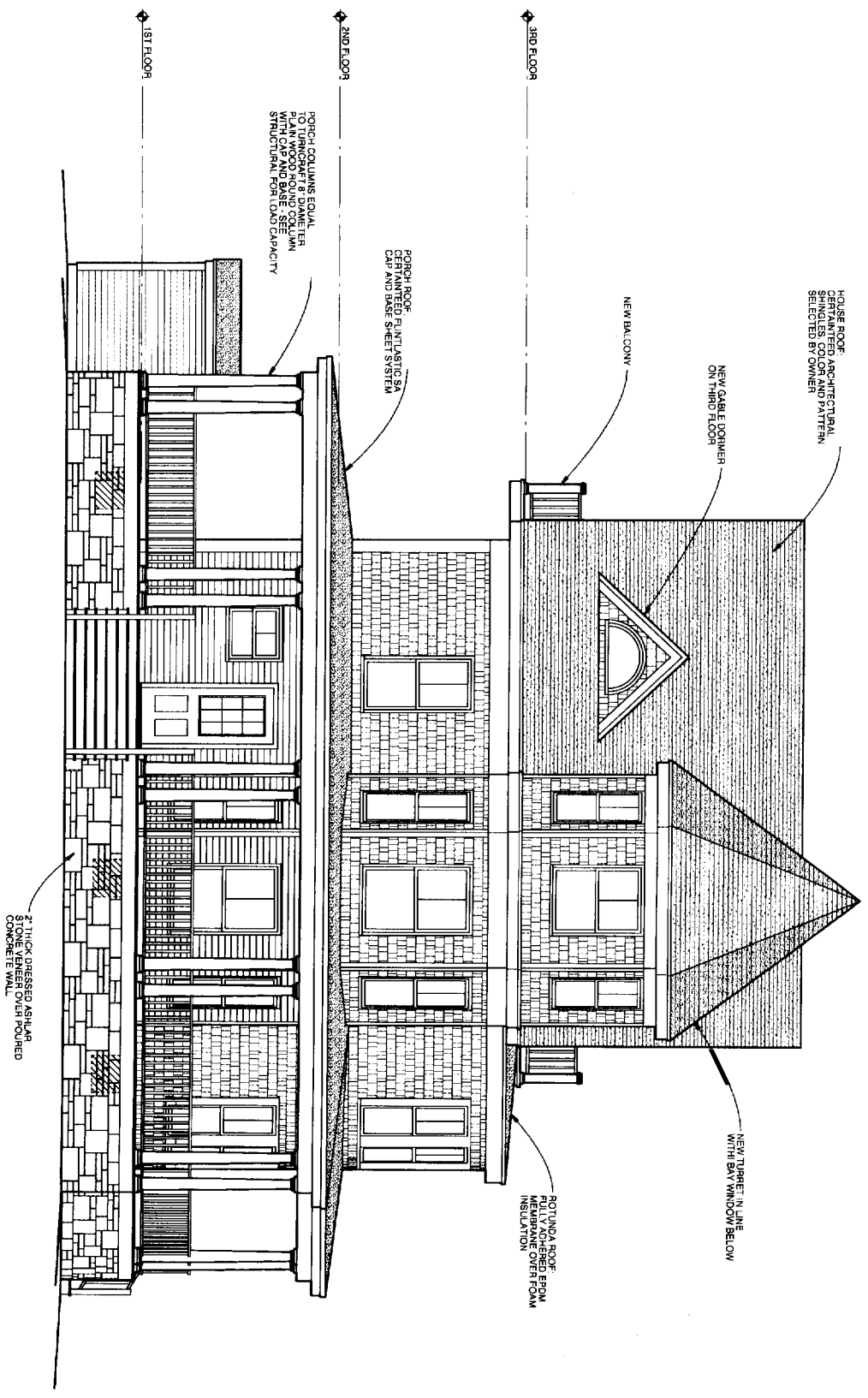
Scale: 1/4" = 1'-0"

Date: 10/31/05

Revisions

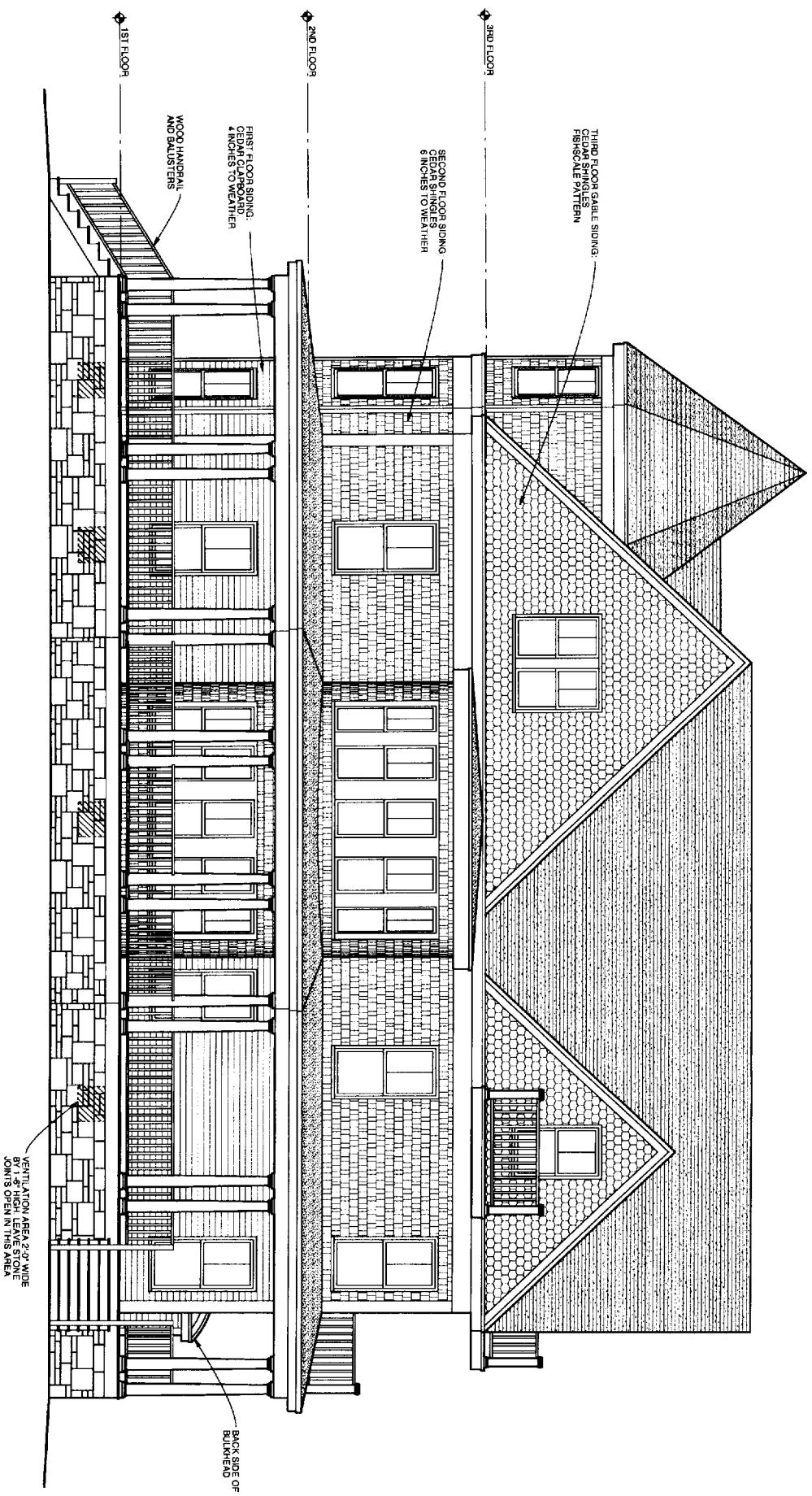
Sheet

**A5**



1 NORTH ELEVATION  
SCALE: 1/4" = 1'-0"

<p><b>Michael R. Charek Architect</b></p> <p>25 Hartley Street Portland, Maine 04103 (207) 761-0556</p>		<p><b>Morgan Residence Renovation &amp; Addition</b></p> <p>140 Noyes Street Portland, Maine</p>	<p>Title NORTH ELEVATION</p> <p>Scale: 1/4" = 1'-0" Date: 10/31/05</p> <p>Revisions</p>	<p>Sheet</p> <p><b>A6</b></p>
---	--	--	---	-------------------------------



1 WEST ELEVATION  
SCALE: 1/4" = 1'-0"

Michael R. Charek  
Architect

25 Hartley Street  
Portland, Maine 04103  
(207) 761-0556

Morgan Residence  
Renovation & Addition

140 Noyes Street  
Portland, Maine

Title

WEST  
ELEVATION

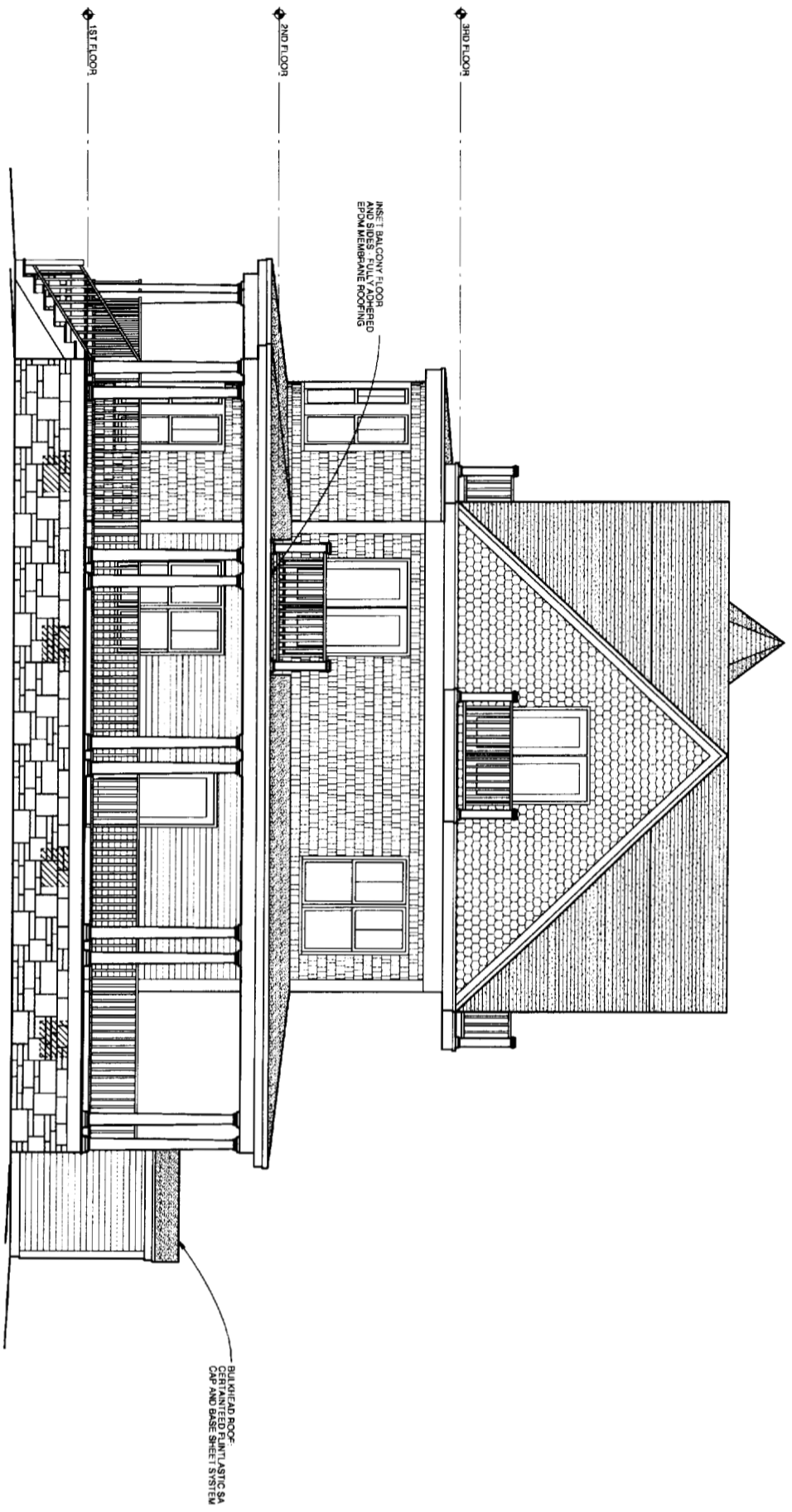
Scale: 1/4" = 1'-0"

Date: 10/31/05

Revisions

Sheet

A7



1 SOUTH ELEVATION  
SCALE: 1/4" = 1'-0"

**Michael R. Charek**  
Architect

25 Hartley Street  
Portland, Maine 04103  
(207) 761-0556

**Morgan Residence**  
Renovation & Addition

140 Noyes Street  
Portland, Maine

Tile

SOUTH  
ELEVATION

Scale: 1/4" = 1'-0"

Date: 10/31/05

Revisions

Sheet

**A8**



1 EAST ELEVATION  
SCALE: 1/4" = 1'-0"

**Michael R. Charek  
Architect**

25 Hartley Street  
Portland, Maine 04103  
(207) 761-0556

**Morgan Residence  
Renovation & Addition**

140 Noyes Street  
Portland, Maine

Title

EAST  
ELEVATION

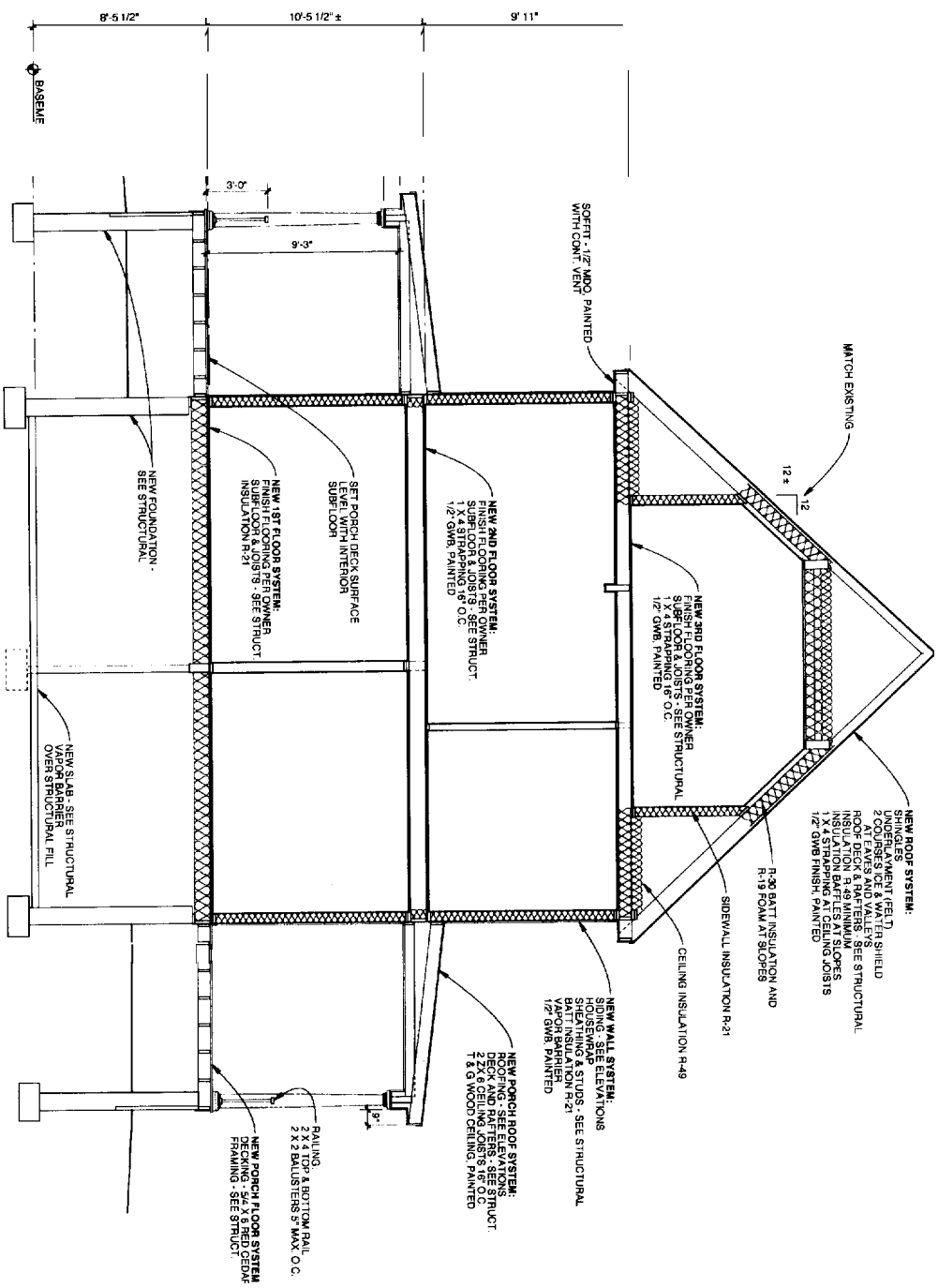
Scale: 1/4" = 1'-0"

Date: 10/31/05

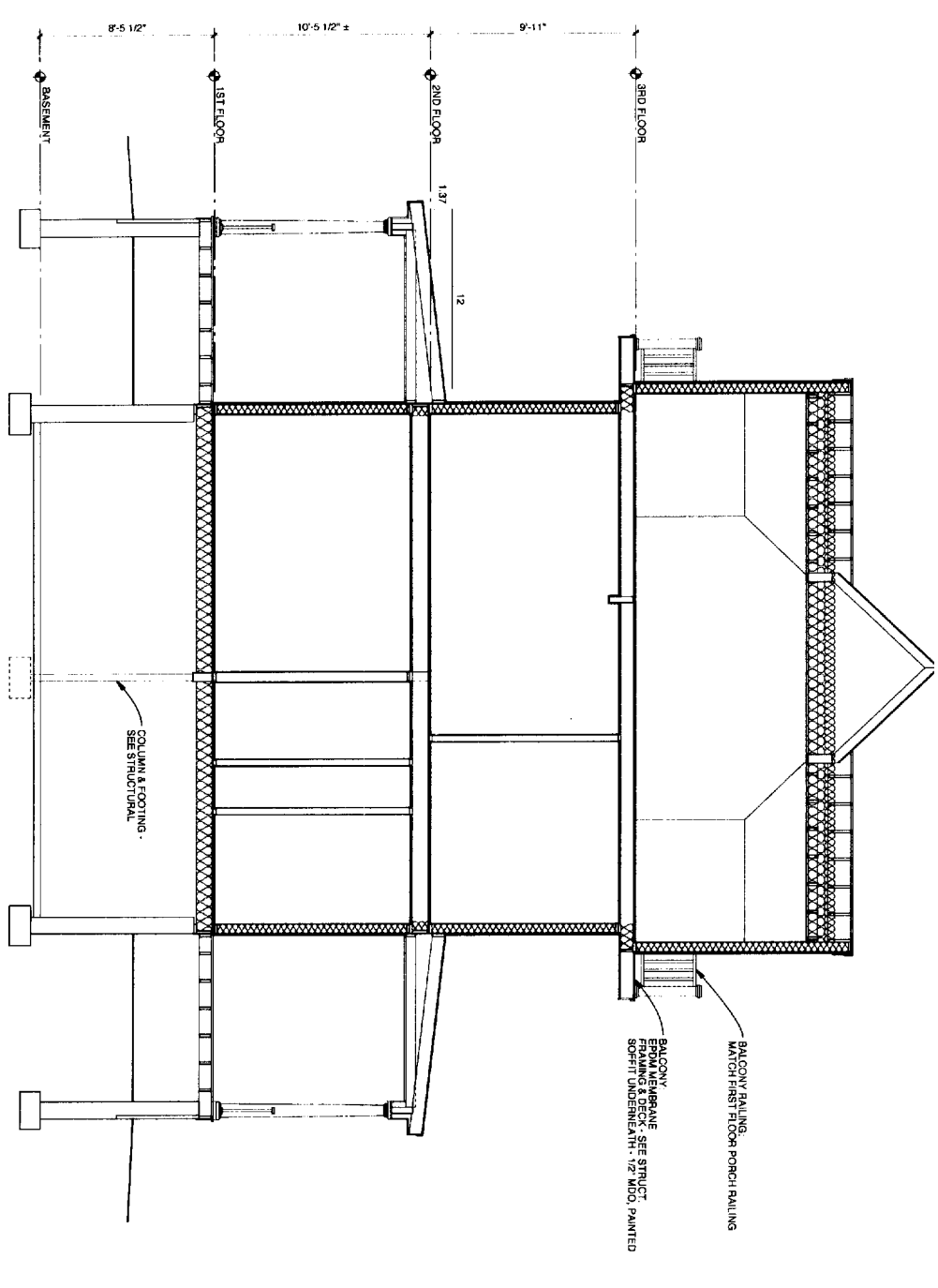
Revisions

Sheet

**A9**



1 SECTION  
SCALE: 1/4" = 1'-0"



2 SECTION  
SCALE: 1/4" = 1'-0"

Michael R. Charek  
Architect

25 Hartley Street  
Portland, Maine 04103  
(207) 761-0556

Morgan Residence  
Renovation & Addition

140 Noyes Street  
Portland, Maine

Title  
SECTION

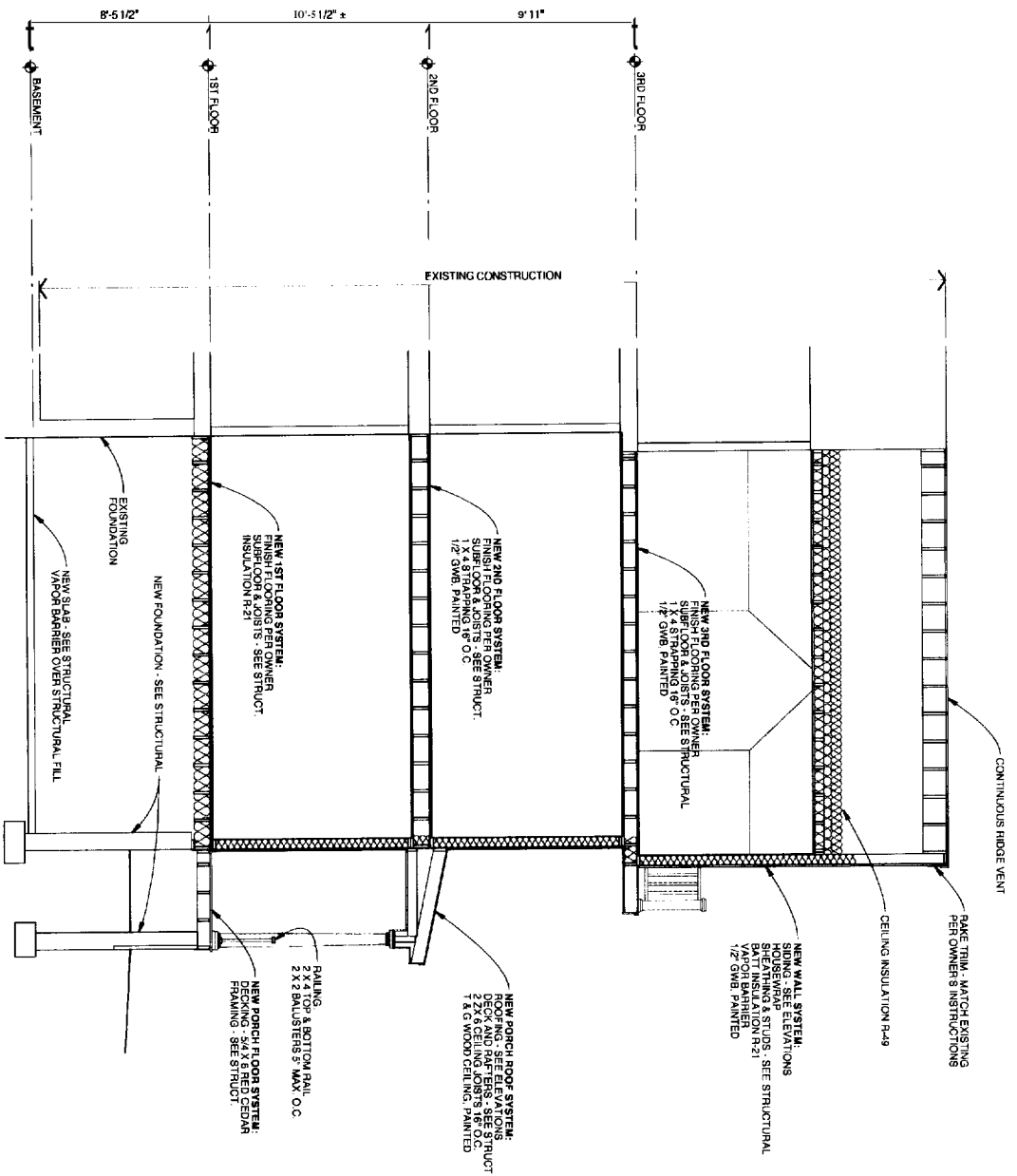
Scale: 1/4" = 1'-0"

Date: 10/31/05

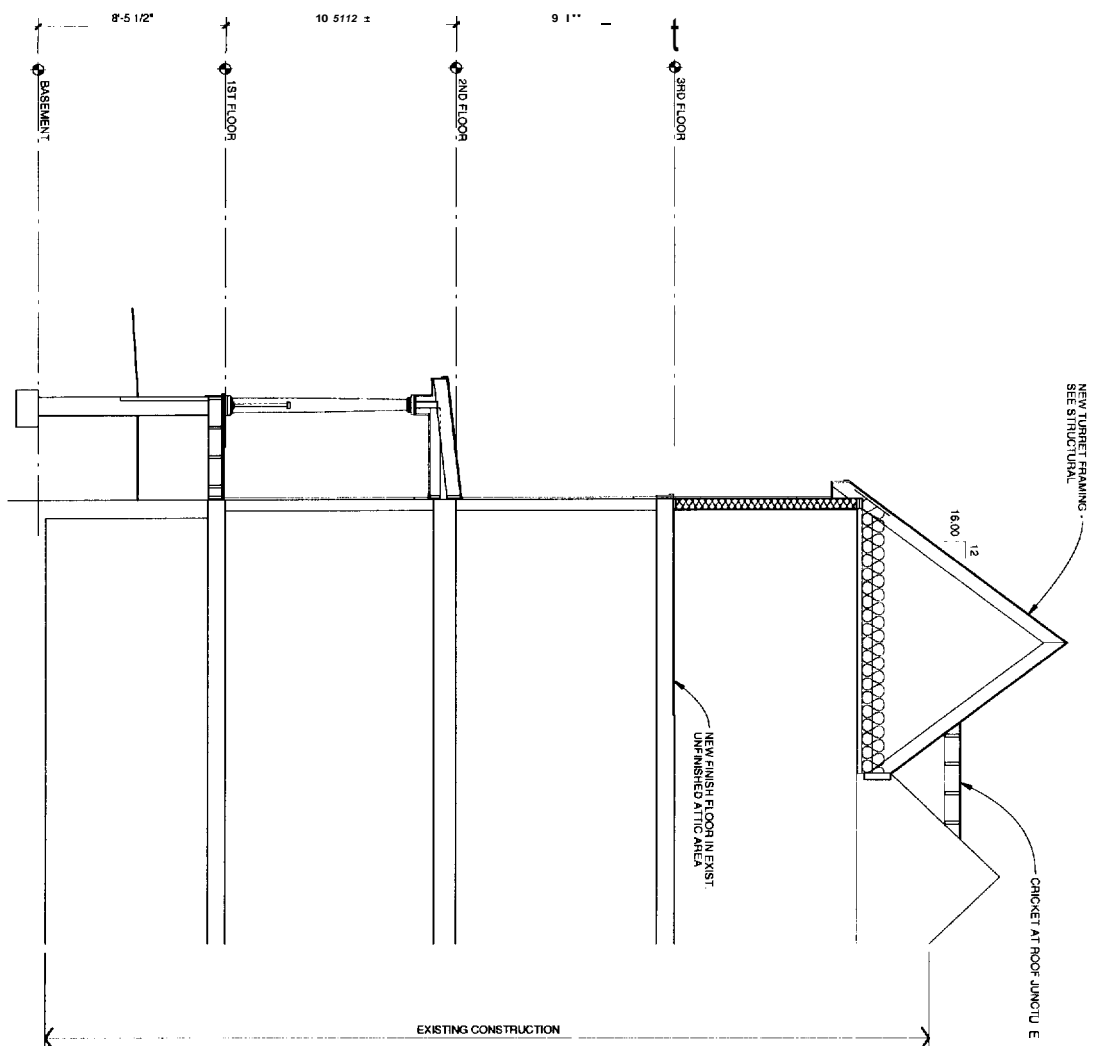
Revisions

Sheet

A10



1 SECTION  
SCALE: 1/4" = 1'-0"



2 SECTION  
SCALE: 1/4" = 1'-0"

Michael R. Charek  
Architect

25 Hartley Street  
Portland, Maine 04103  
(207) 761-0556

Morgan Residence  
Renovation & Addition

140 Noyes Street  
Portland, Maine

Title

SECTIONS

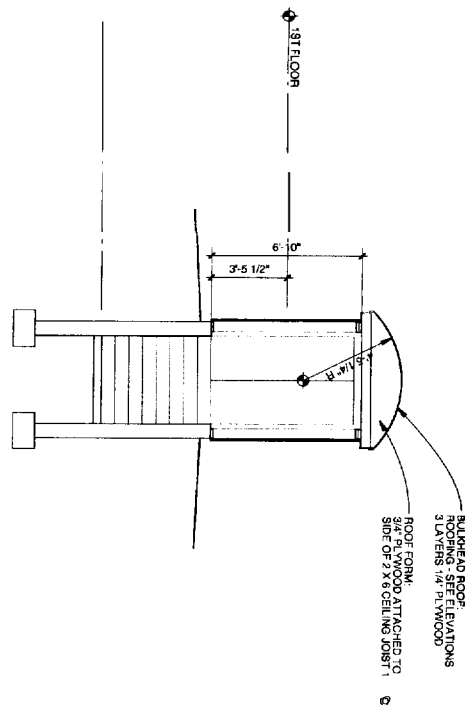
Scale: 1/4" = 1'-0"

Date: 10/31/05

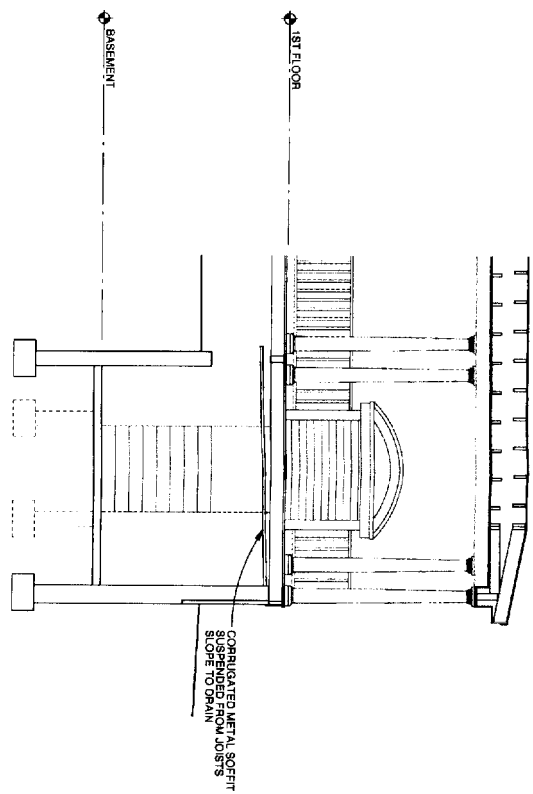
Revisions

Sheet

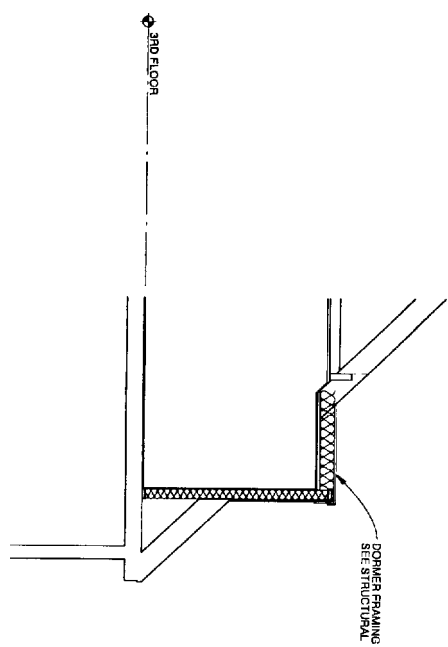
A11



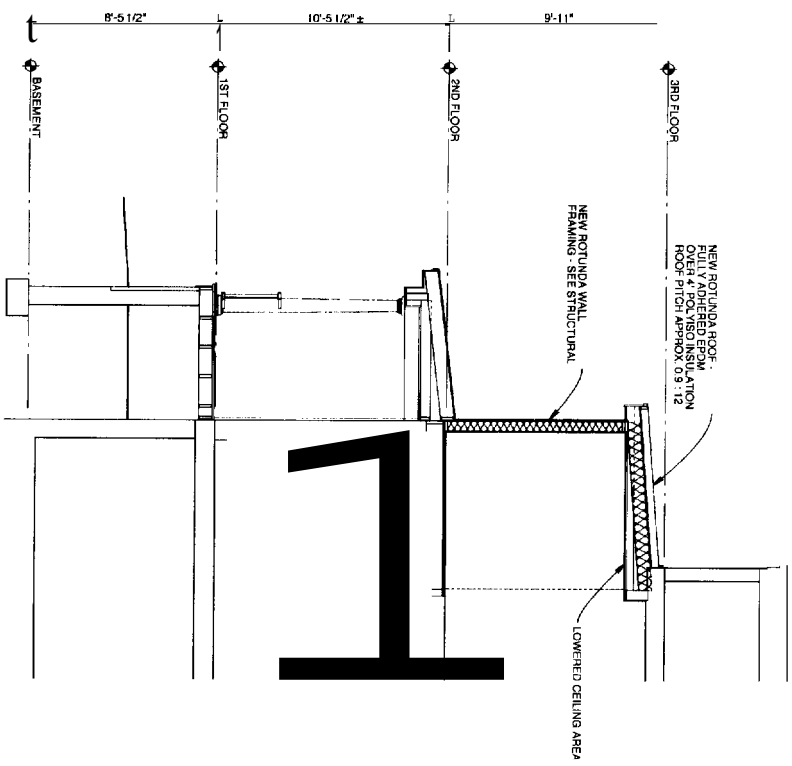
5 SECTION  
SCALE: 1/4" = 1'-0"



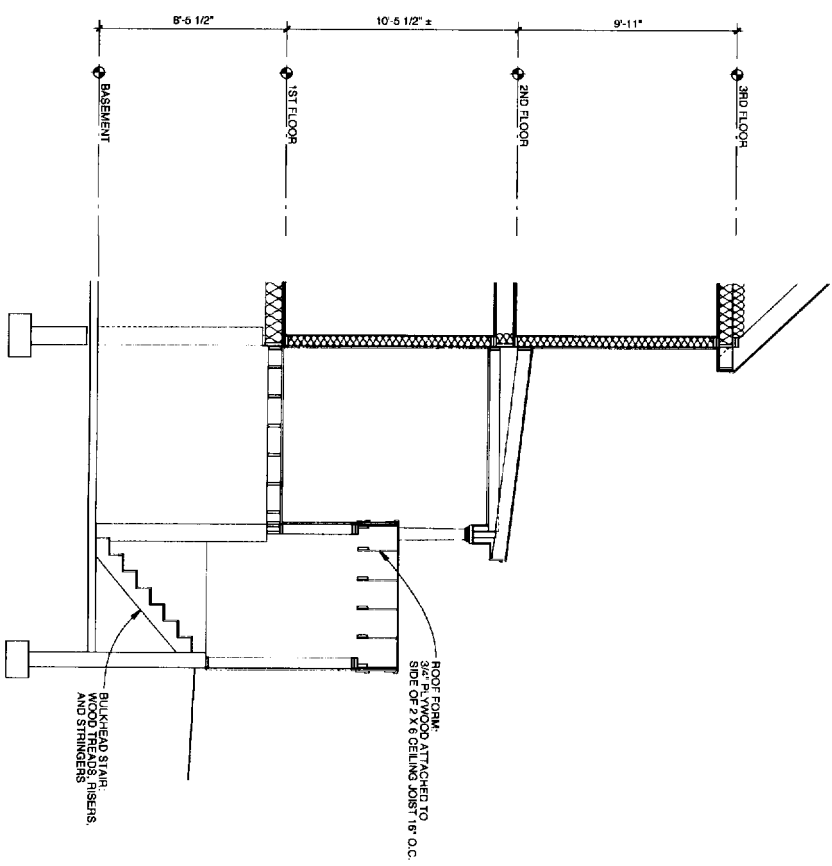
6 SECTION  
SCALE: 1/4" = 1'-0"



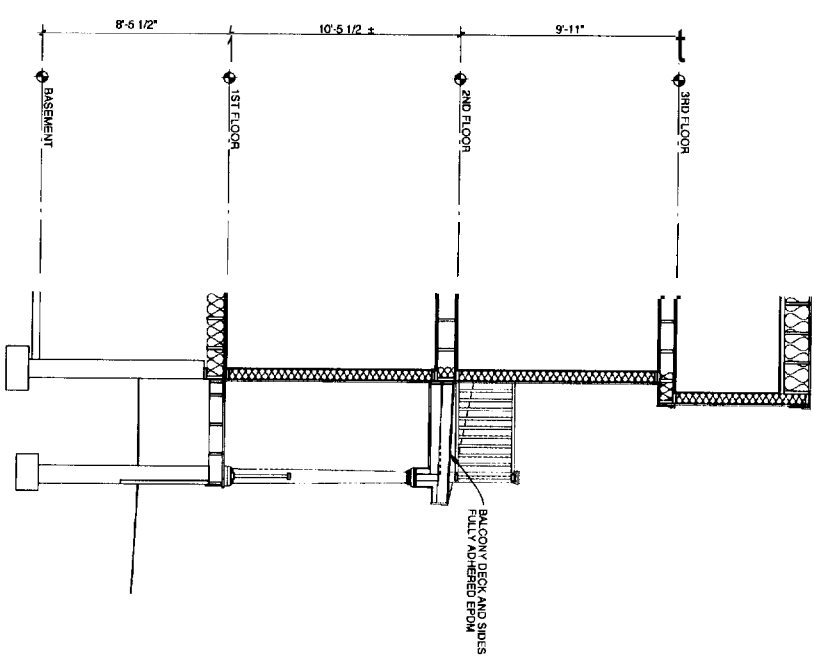
7 SECTION  
SCALE: 1/4" = 1'-0"



1 SECTION  
SCALE: 1/4" = 1'-0"



2 SECTION  
SCALE: 1/4" = 1'-0"



3 SECTION  
SCALE: 1/4" = 1'-0"

**Morgan Residence  
Renovation & Addition**

140 Noyes Street  
Portland, Maine

**Michael R. Charek  
Architect**

25 Hartley Street  
Portland, Maine 04103  
(207) 761-0556

Title

SECTIONS

Scale: 1/4" = 1'-0"

Date: 10/31/05

Revisions

Sheet

**A12**