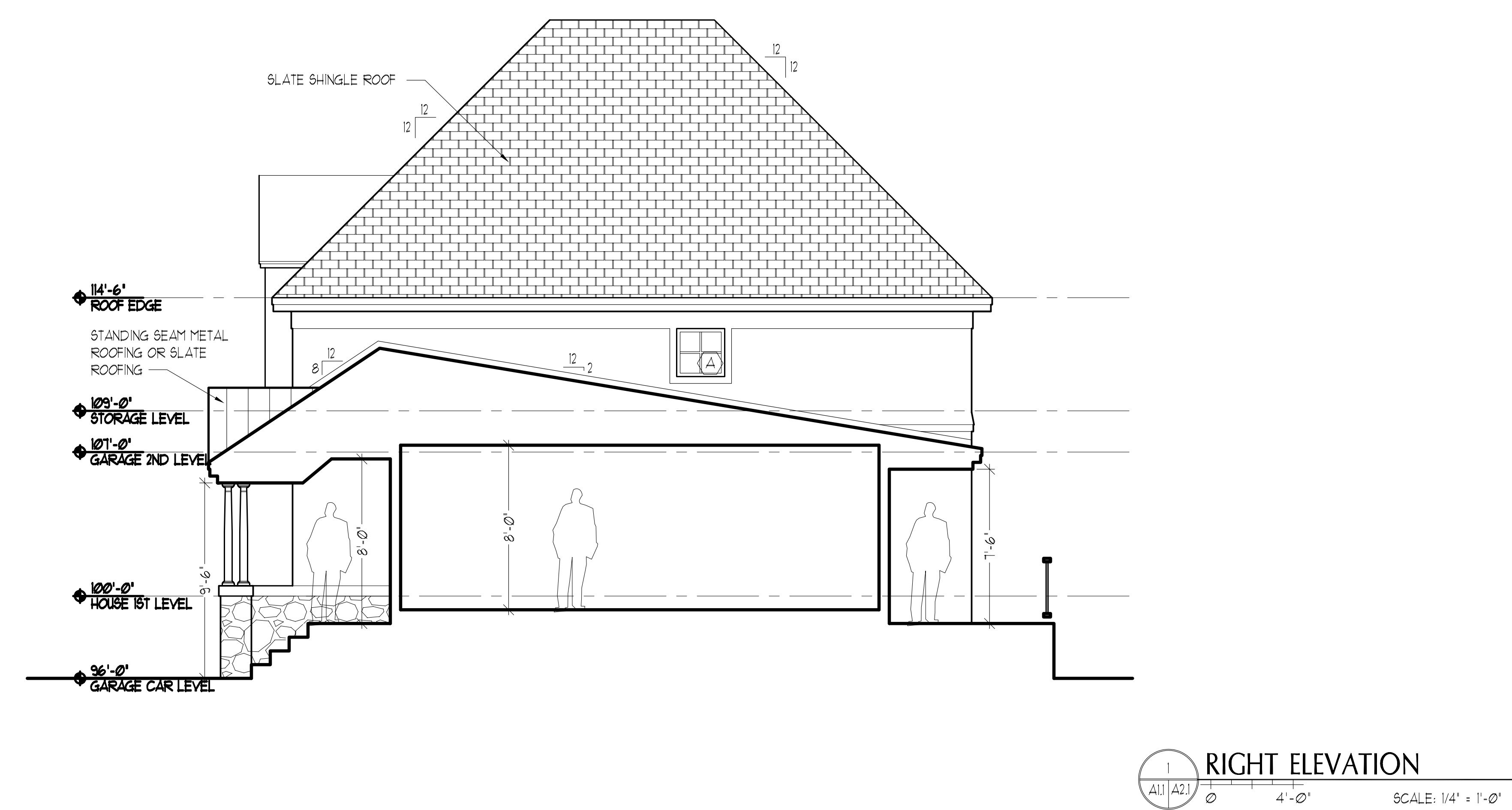
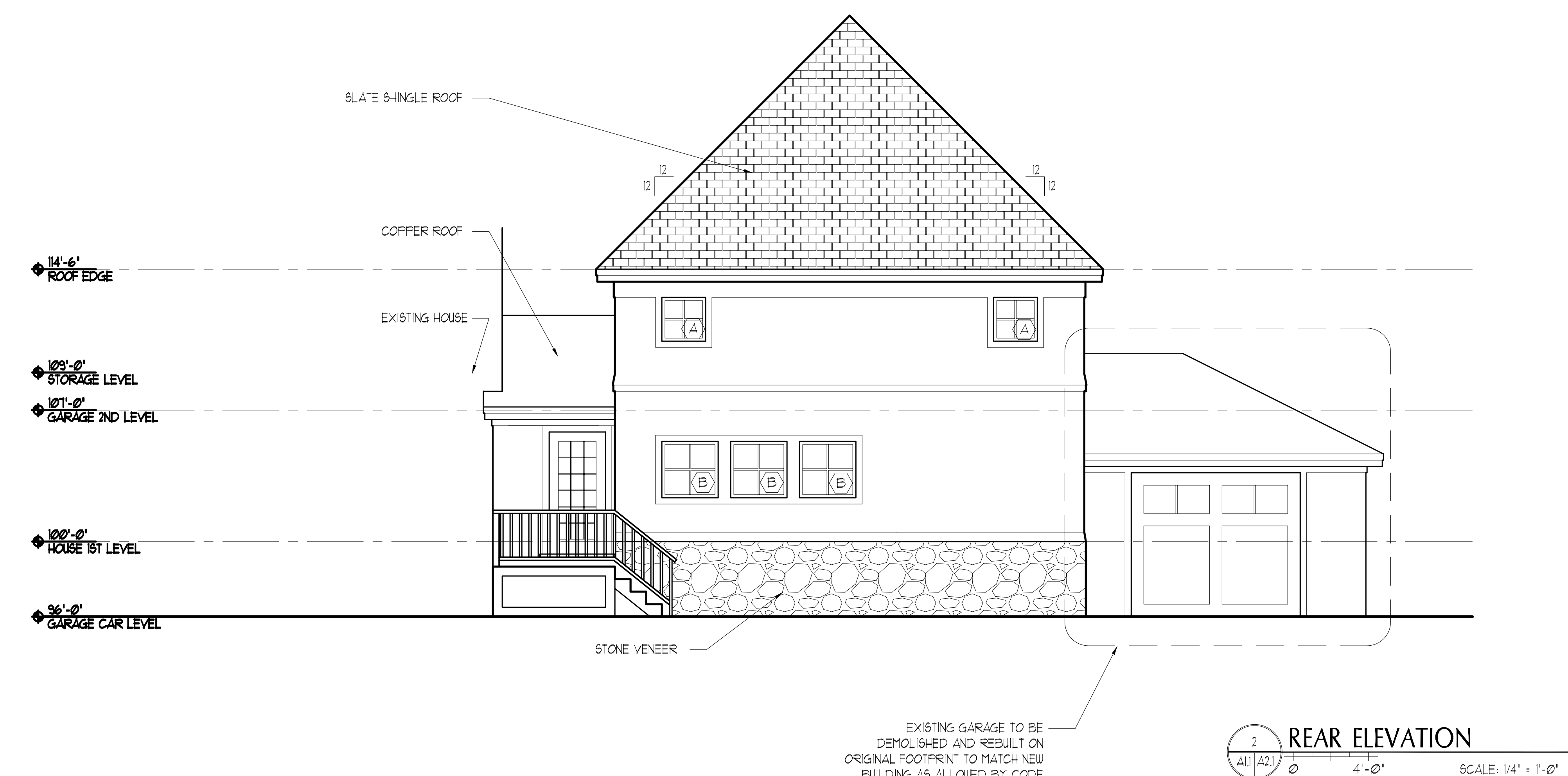
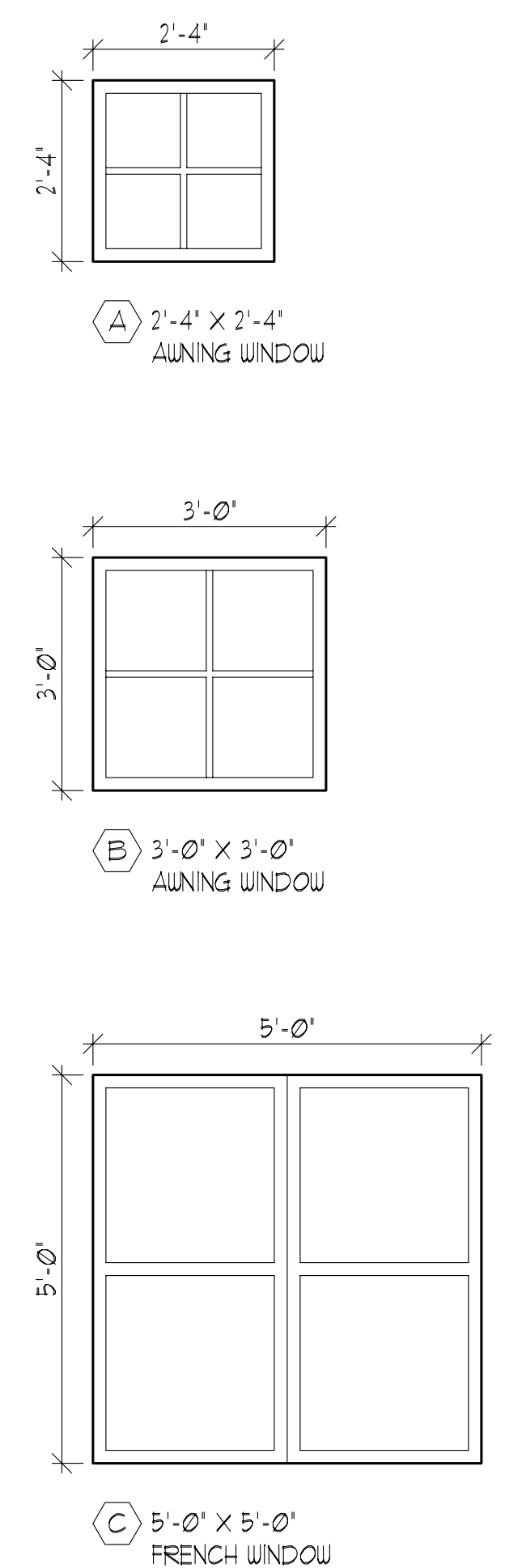


IF THIS SHEET IS NOT 24 X 36 IT IS A REDUCED SCALE PRINT - SCALE ACCORDINGLY



PORT CITY ARCHITECTURE

65 NEWBURY STREET
 PORTLAND, ME 04101
 207.761.9000
 fax: 207.761.2010
 info@portcityarch.com

CONSULTANTS:

RUSSO CARRIAGE HOUSE

Pitt Street
 Portland, Maine

#	DATE	DESCRIPTION
REVISIONS		
	Date Issued	NOVEMBER 28, 2007
	Project Number	06015
	Drawing Scale	
	SHEET NAME	

ELEVATIONS

Drawn By	EC	A2.1
Checked By	ACH	